



US00D694381S

(12) **United States Design Patent**
Kitzke et al.

(10) **Patent No.:** **US D694,381 S**

(45) **Date of Patent:** **** Nov. 26, 2013**

- (54) **HOT WATER TANK ENCLOSURE**
- (71) Applicant: **Emerson Electric Co.**, St. Louis, MO (US)
- (72) Inventors: **Manivone Kitzke**, New Berlin, WI (US); **Kelly T. Gamble**, Waterford, WI (US); **Peter J. Loire**, Genoa, WI (US); **Eric P. Wolf**, Racine, WI (US); **Eric J. Schultz**, Thiensville, WI (US)
- (73) Assignee: **Emerson Electric Co.**, St. Louis, MO (US)

D533,928	S	*	12/2006	Maegawa et al.	D23/318
D535,850	S		1/2007	Patterson et al.		
D570,973	S		6/2008	Nanbu et al.		
D570,974	S		6/2008	Nanbu et al.		
D570,975	S		6/2008	Nanbu et al.		
D570,976	S		6/2008	Nanbu et al.		
D616,535	S	*	5/2010	Lee	D23/318
D616,536	S	*	5/2010	Lee	D23/318
D636,857	S		4/2011	Jacques et al.		
D662,195	S	*	6/2012	Watanabe et al.	D23/320
D683,001	S	*	5/2013	Lee	D23/320
2007/0126320	A1	*	6/2007	Huang	312/236
2007/0205292	A1	*	9/2007	Kwak	236/21 B
2007/0205293	A1	*	9/2007	Kwak	236/21 B

- (**) Term: **14 Years**
- (21) Appl. No.: **29/436,808**
- (22) Filed: **Nov. 9, 2012**

FOREIGN PATENT DOCUMENTS

CN	301140817		2/2010
CN	301255632	S	6/2010
CN	301344344	S	9/2010
CN	301403762	S	12/2010

(Continued)

Primary Examiner — T. Chase Nelson

Assistant Examiner — Ania Aman

(74) *Attorney, Agent, or Firm* — Harness, Dickey & Pierce, P.L.C.

- (51) **LOC (9) Cl.** **23-03**
- (52) **U.S. Cl.**
USPC **D23/320**
- (58) **Field of Classification Search**
USPC D23/314, 332, 335–350, 378, 370, 381, D23/354, 351, 386, 333, 328, 353, 361, 385, D23/417, 357, 334, 355, 359, 362, 366, 320, D23/319, 318; 392/365, 367, 424, 383, 411, 392/360, 369, 373–376; 126/183, 110 B, 126/91 A, 92 A, 500, 544, 547; D99/29
See application file for complete search history.

(57) **CLAIM**

The ornamental design for a hot water tank enclosure, as shown and described.

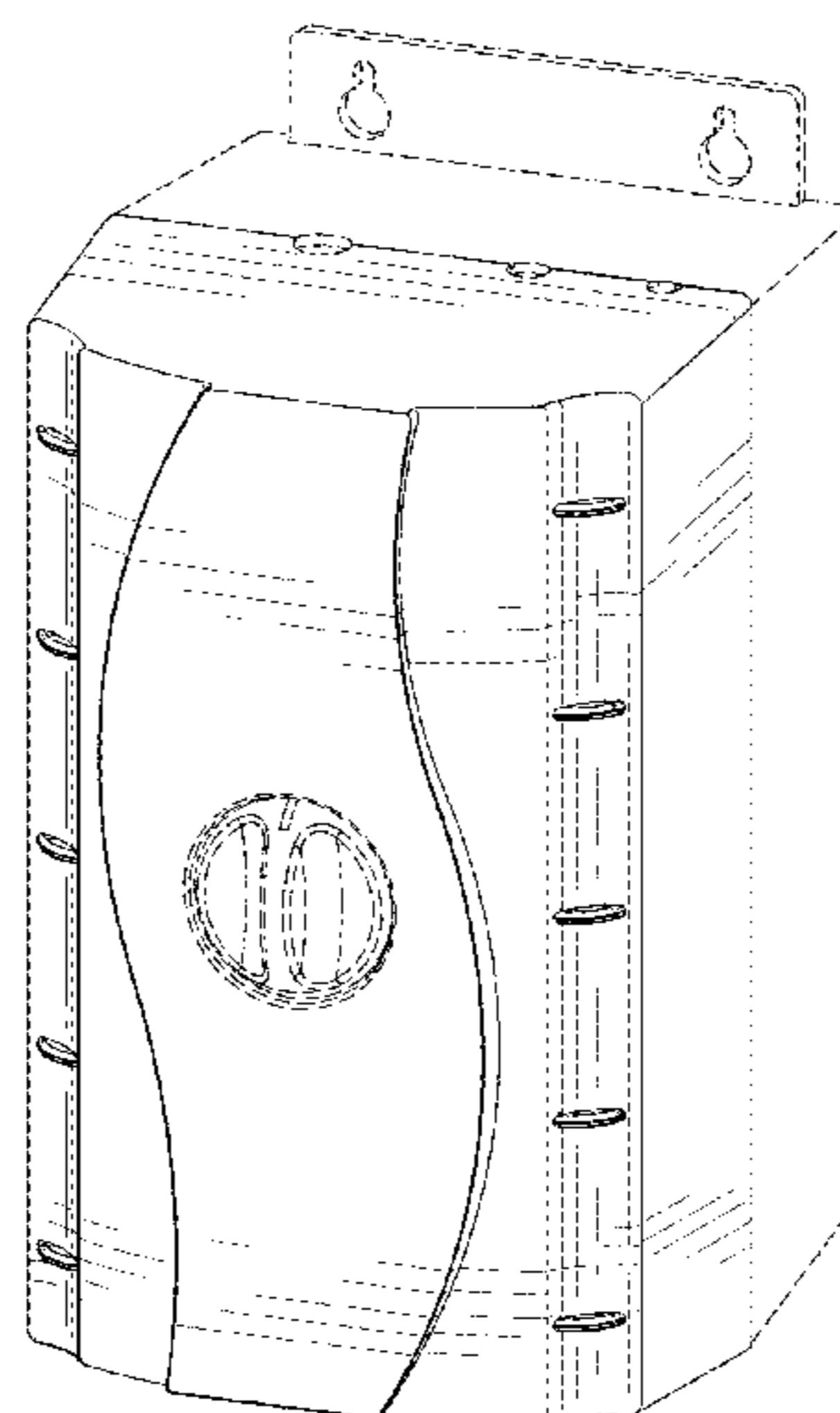
DESCRIPTION

FIG. 1 is a perspective view;
 FIG. 2 is a front elevational view;
 FIG. 3 is a rear elevational view;
 FIG. 4 is a top plan view;
 FIG. 5 is a bottom plan view;
 FIG. 6 is a left elevational view; and,
 FIG. 7 is a right elevational view.
 The broken lines in all views are for the purpose of illustration and are not part of the claimed design.

(56) **References Cited**
U.S. PATENT DOCUMENTS

D431,153	S	9/2000	Brandel et al.		
D452,110	S	12/2001	Brandel et al.		
D455,604	S	4/2002	Brandel et al.		
D483,451	S	12/2003	Yamamoto et al.		
D483,452	S	12/2003	Yamamoto et al.		
D483,453	S	12/2003	Yamamoto et al.		
D483,844	S	*	12/2003	Yamamoto et al. D23/320
D532,498	S	*	11/2006	Maegawa et al. D23/318

1 Claim, 4 Drawing Sheets



(56)

References Cited

FOREIGN PATENT DOCUMENTS

CN	301465951 S	2/2011
DE	177167-0001	9/2004
DE	177167-0002	9/2004
DE	177167-0003	9/2004
DE	177167-0004	9/2004
DE	442942-0001	2/2006
DE	652235-0001	2/2007

DE	814660-0002	11/2007
DE	814660-0003	11/2007
DE	814660-0004	11/2007
DE	894860-0001	4/2008
DE	894860-0002	4/2008
DE	894860-0006	4/2008
DE	894860-0007	4/2008
DE	894860-0008	4/2008
DE	1237788-0001	10/2010

* cited by examiner

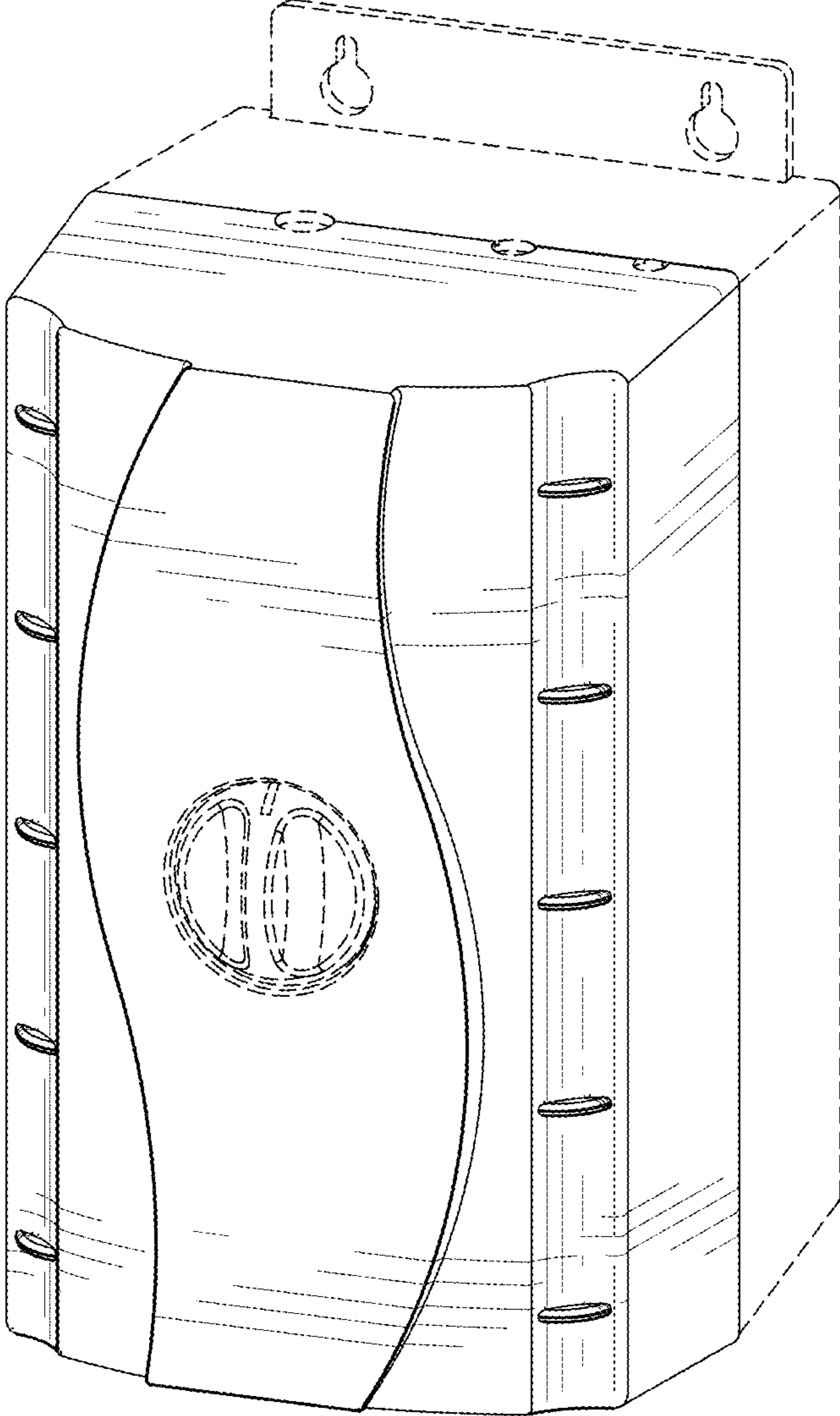


Fig-1

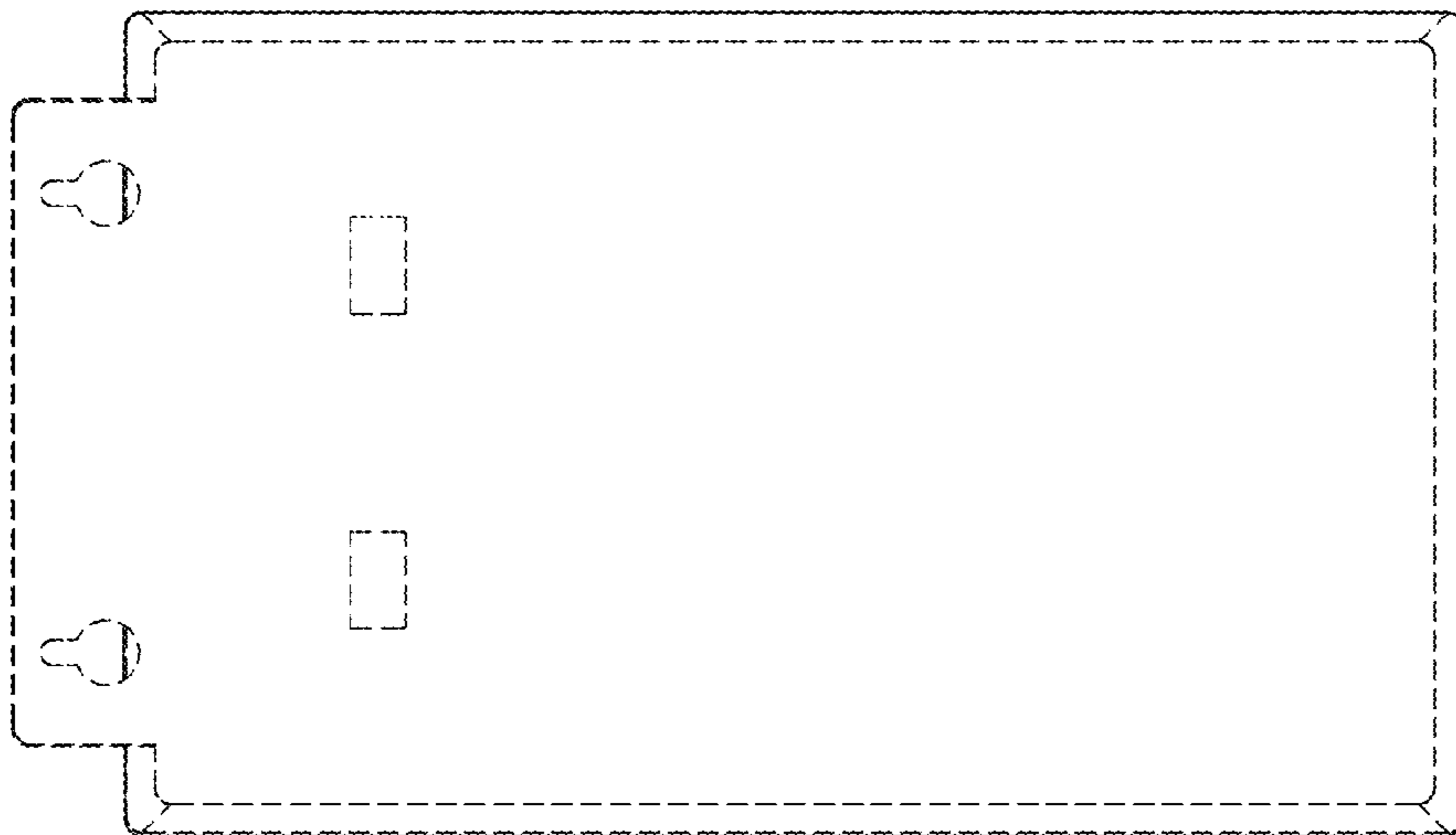


Fig-3

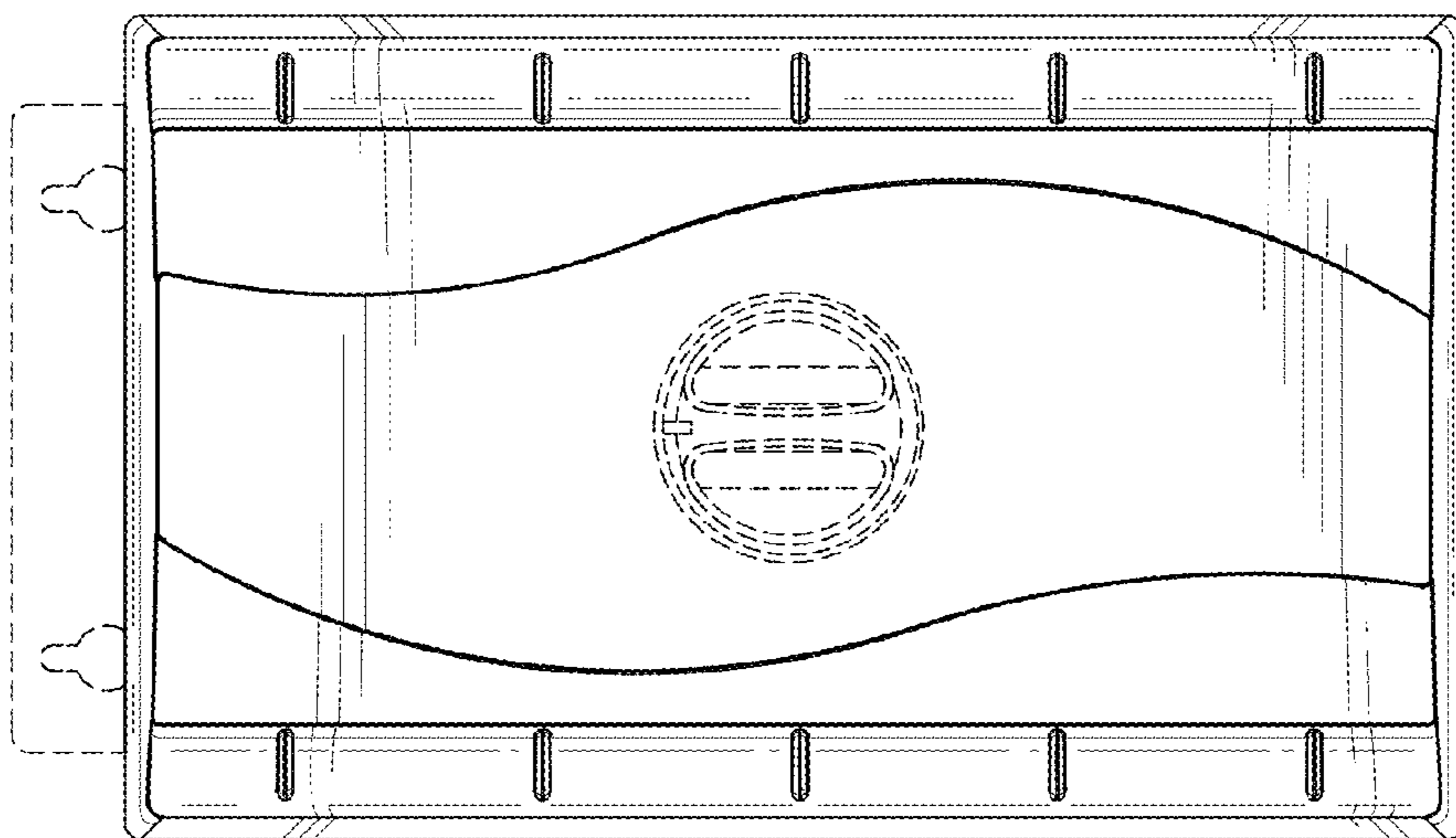


Fig-2

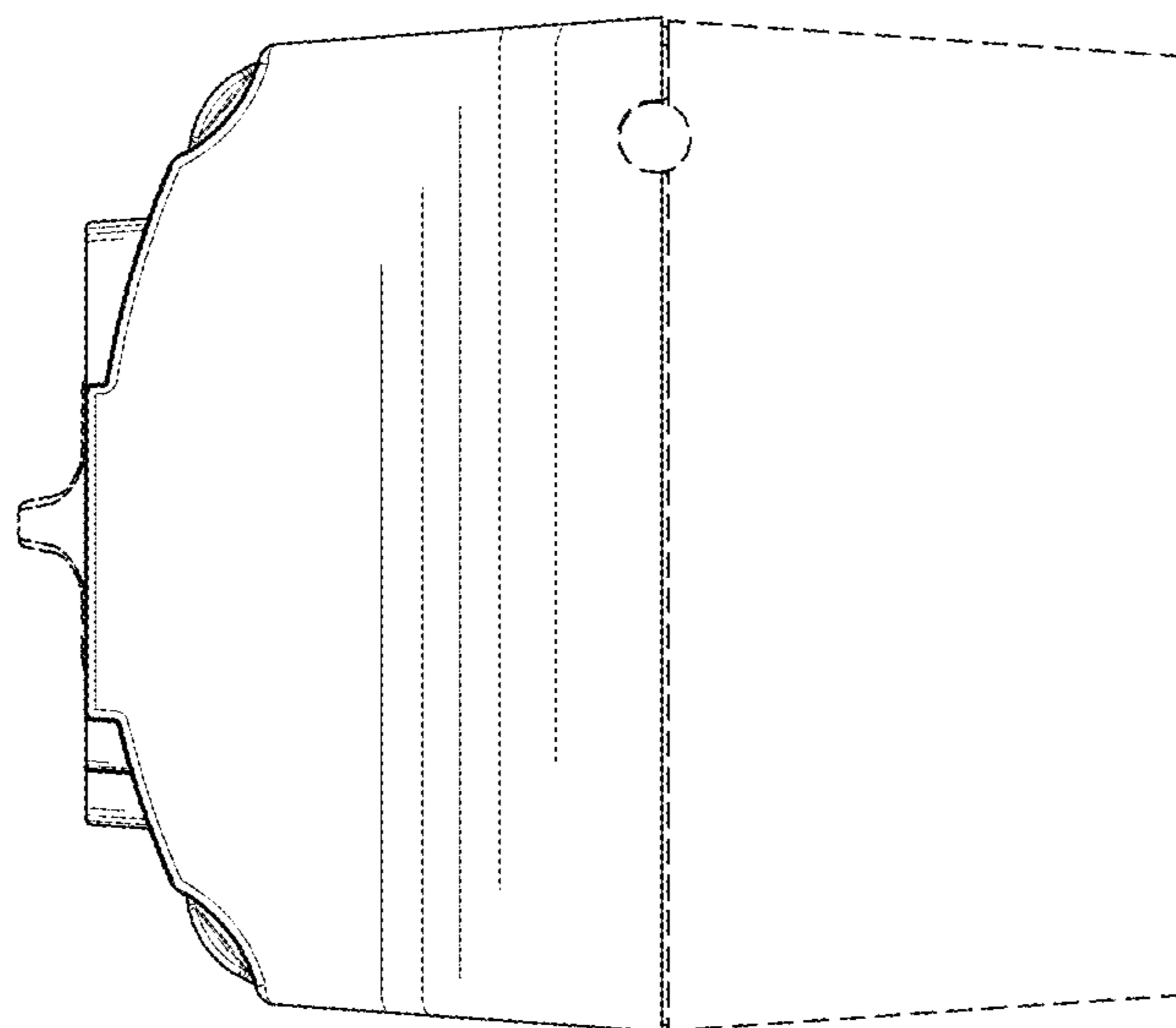


Fig-5

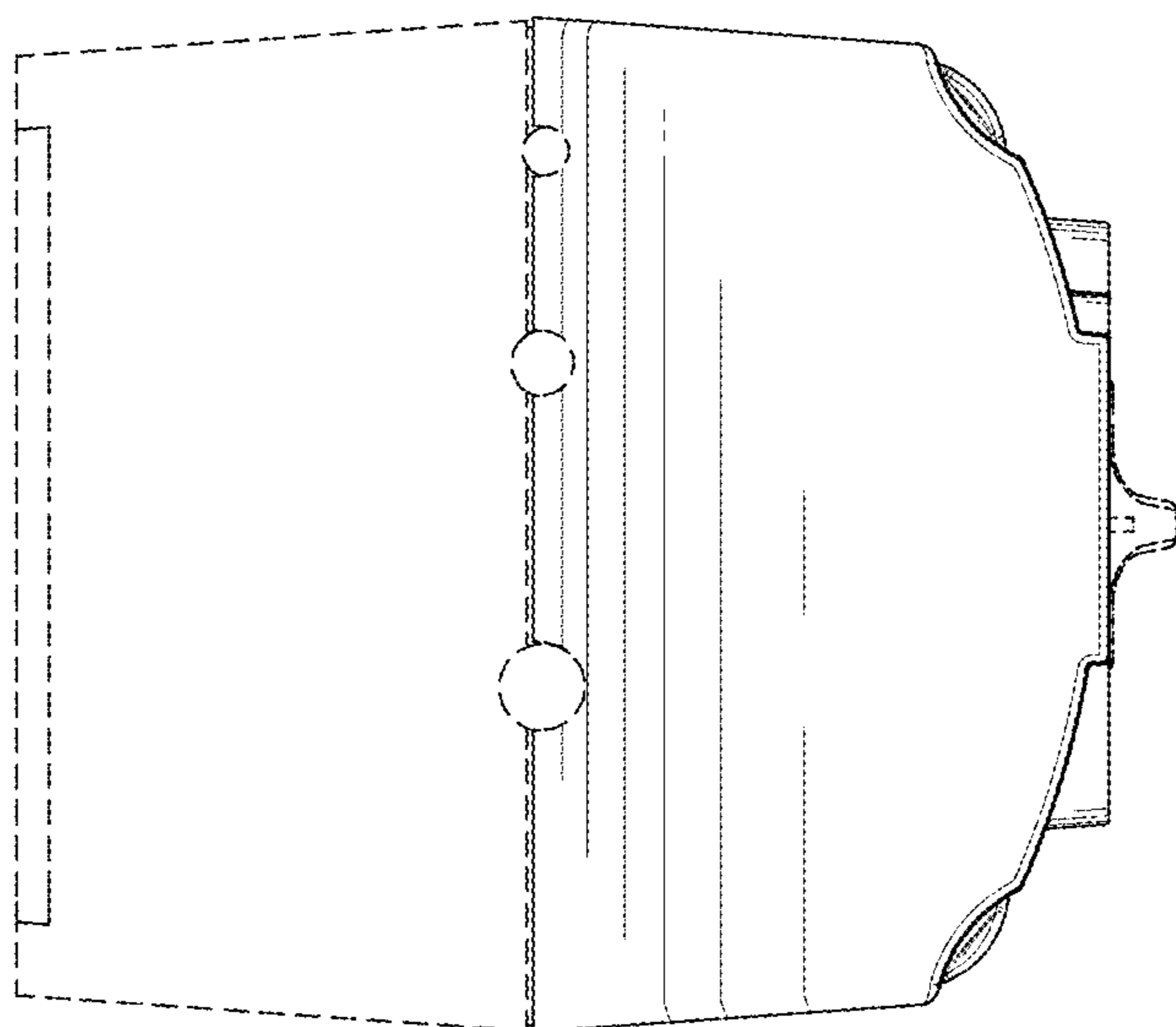


Fig-4

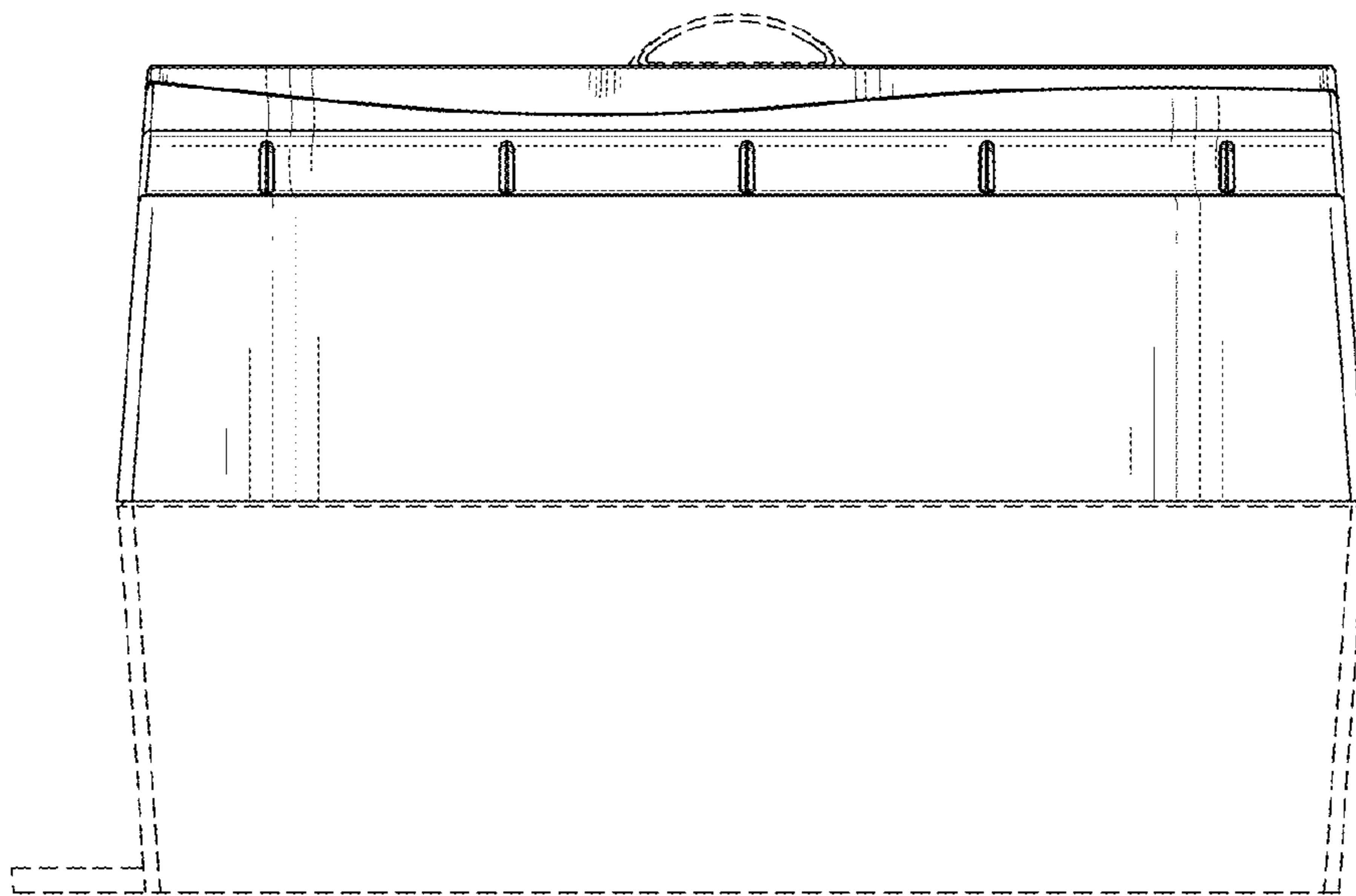


Fig-7

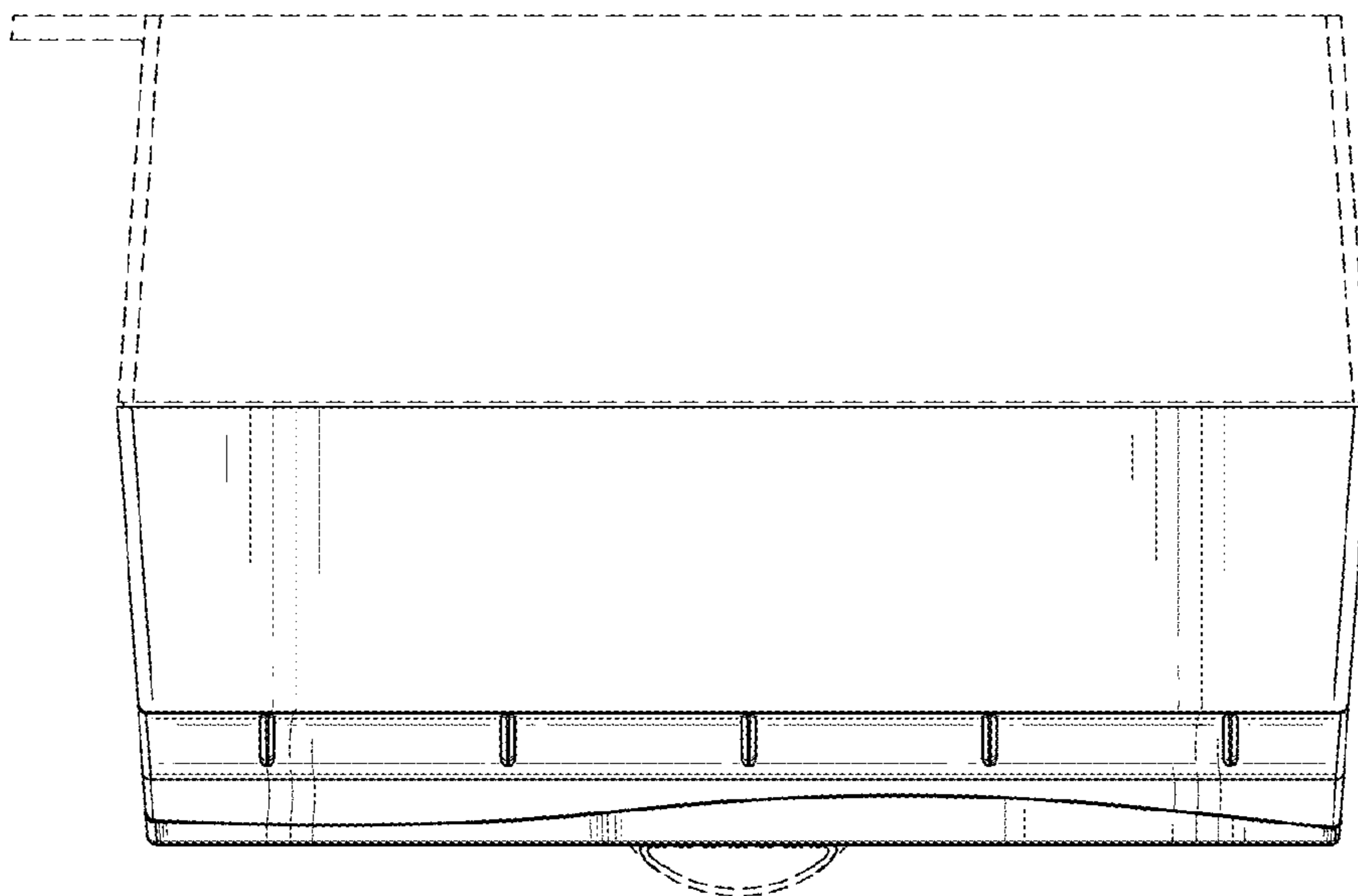


Fig-6