



US00D694380S

(12) **United States Design Patent**
Crowe et al.

(10) **Patent No.:** **US D694,380 S**

(45) **Date of Patent:** **** Nov. 26, 2013**

(54) **HEATER**

(75) Inventors: **Matthew Crowe**, Chelsea (CA);
Jianmin Huang, Dongguan (CN); **Ming Wang**, Dongguan (CN)

(73) Assignee: **Twin-Star International, Inc.**, Delray Beach, FL (US)

(**) Term: **14 Years**

(21) Appl. No.: **29/424,232**

(22) Filed: **Jun. 8, 2012**

(51) **LOC (9) Cl.** **23-03**

(52) **U.S. Cl.**
USPC **D23/317**

(58) **Field of Classification Search**

USPC D23/314, 332, 335-350, 378, 370, 381,
D23/354, 351, 386, 333, 328, 353, 361, 385,
D23/417, 357; 392/365, 367, 424, 383, 411,
392/360, 369, 373-376; 126/183, 110 B,
126/91 A, 500, 544, 547, 92 A; 431/125;
D99/29

See application file for complete search history.

(56) **References Cited**

U.S. PATENT DOCUMENTS

5,805,767 A * 9/1998 Jouas et al. 392/373
D536,429 S * 2/2007 Bushee D23/333
D574,475 S * 8/2008 Spiegel D23/356
D671,199 S * 11/2012 Bryce D23/332

* cited by examiner

Primary Examiner — T. Chase Nelson

Assistant Examiner — Ania Aman

(74) *Attorney, Agent, or Firm* — Johnson & Martin, P.A.;
James David Johnson

(57) **CLAIM**

The ornamental designs for a heater, as shown and described.

DESCRIPTION

FIG. 1 is a perspective view of an ornamental design for a heater.

FIG. 2 is a front elevation view of the heater of FIG. 1.

FIG. 3 is a rear elevation view of the heater of FIG. 1.

FIG. 4 is a left side elevation view of the heater of FIG. 1.

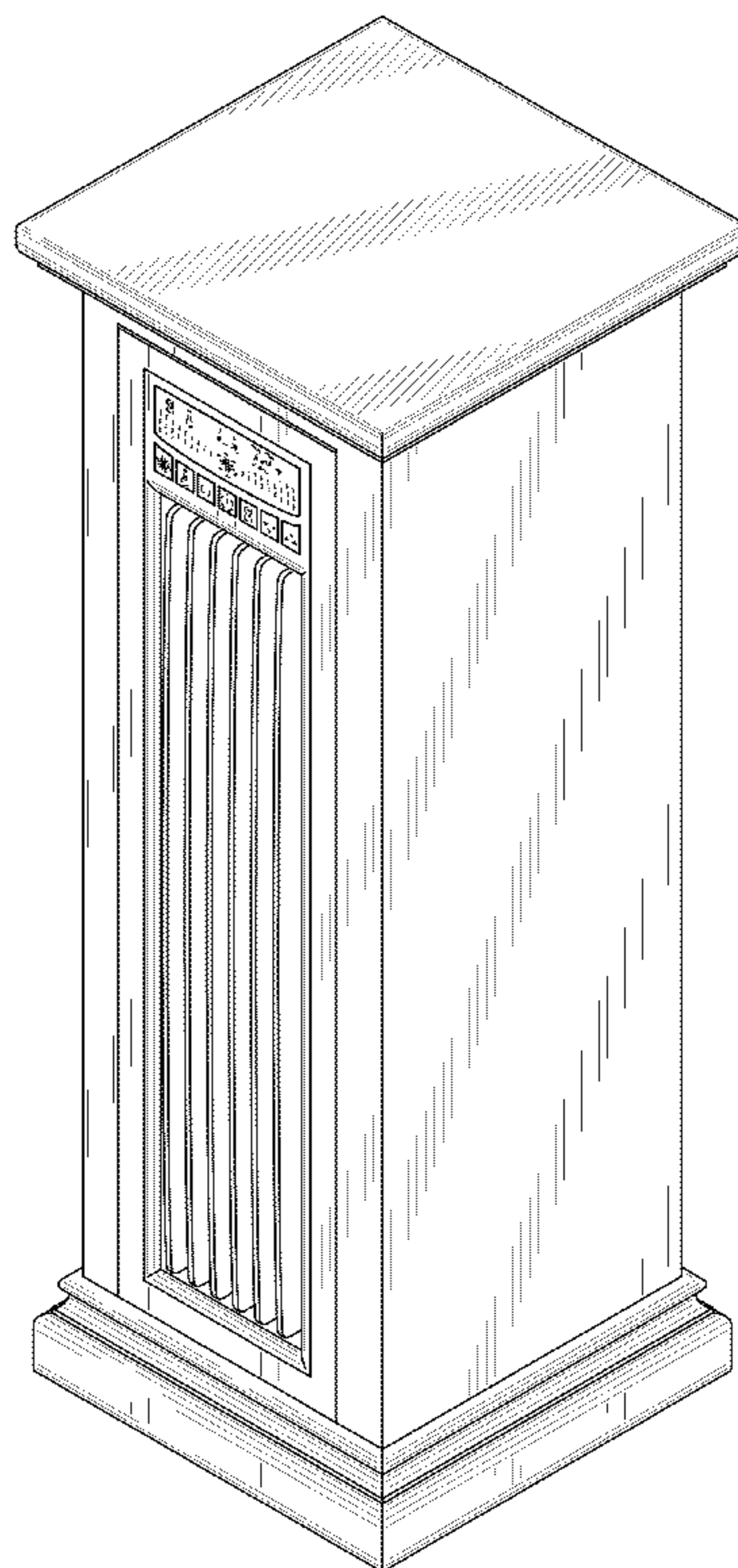
FIG. 5 is a right side elevation view of the heater of FIG. 1.

FIG. 6 is a top plan view of the heater of FIG. 1; and,

FIG. 7 is a bottom plan view of the heater of FIG. 1.

The broken line illustration of feet, symbols included on the display or buttons, screw inserts, seams, top and bottom parts connecting the louvers to the air outlet frame, recessed horizontal bar behind the louvers, recessed inlet vent structure, and flanges is shown for the purpose of illustrating optional structure of the article and forms no part of the claimed design.

1 Claim, 6 Drawing Sheets



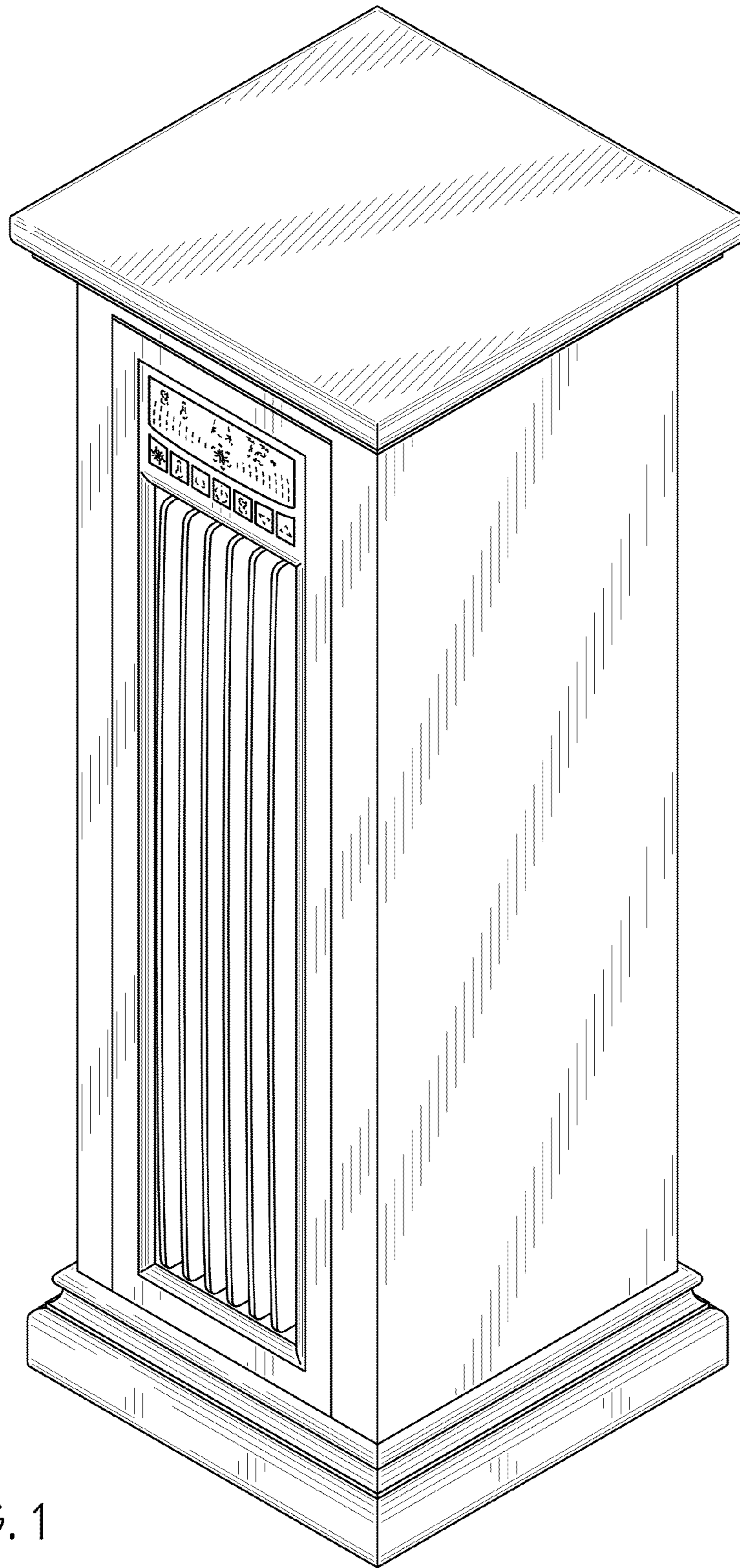


FIG. 1

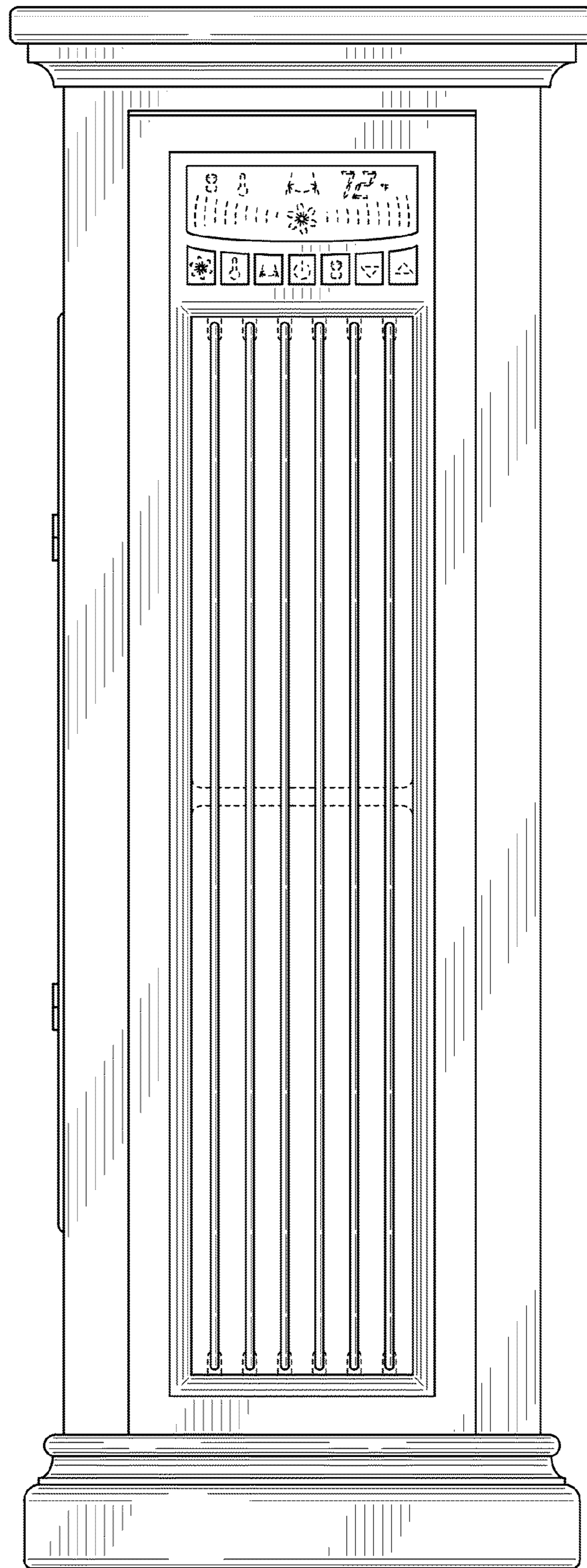


FIG. 2

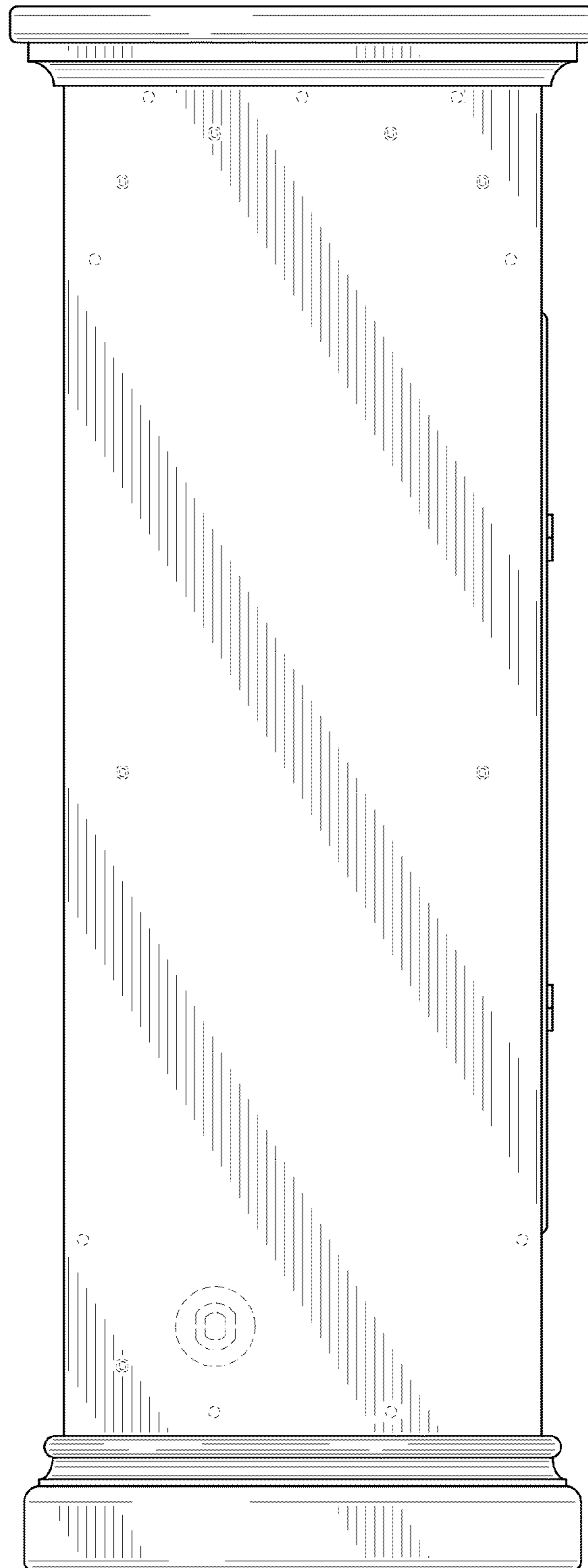


FIG. 3

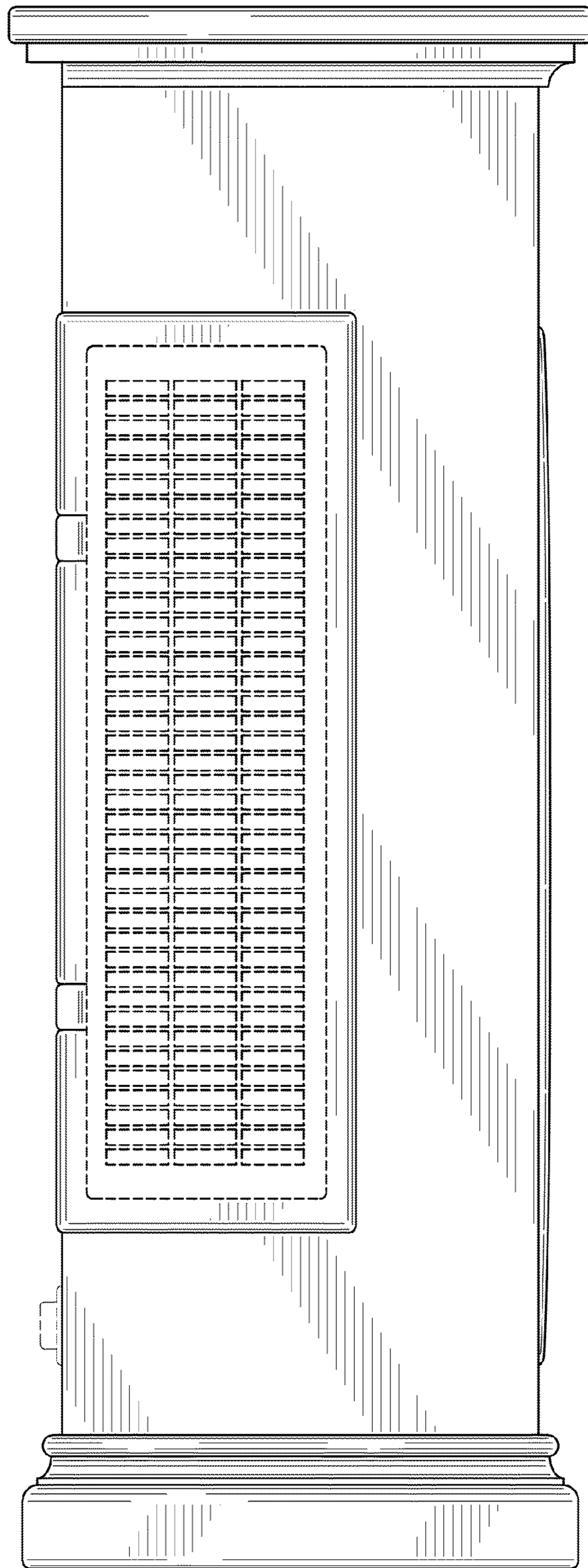


FIG. 4

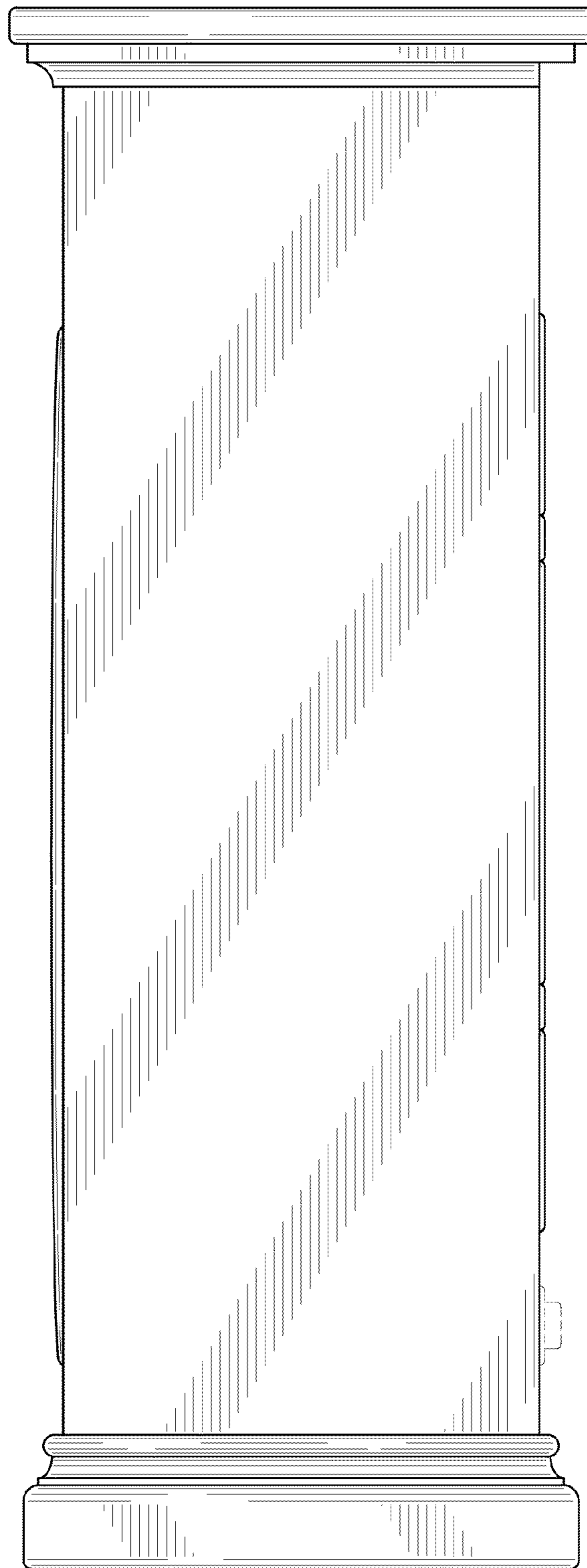


FIG. 5

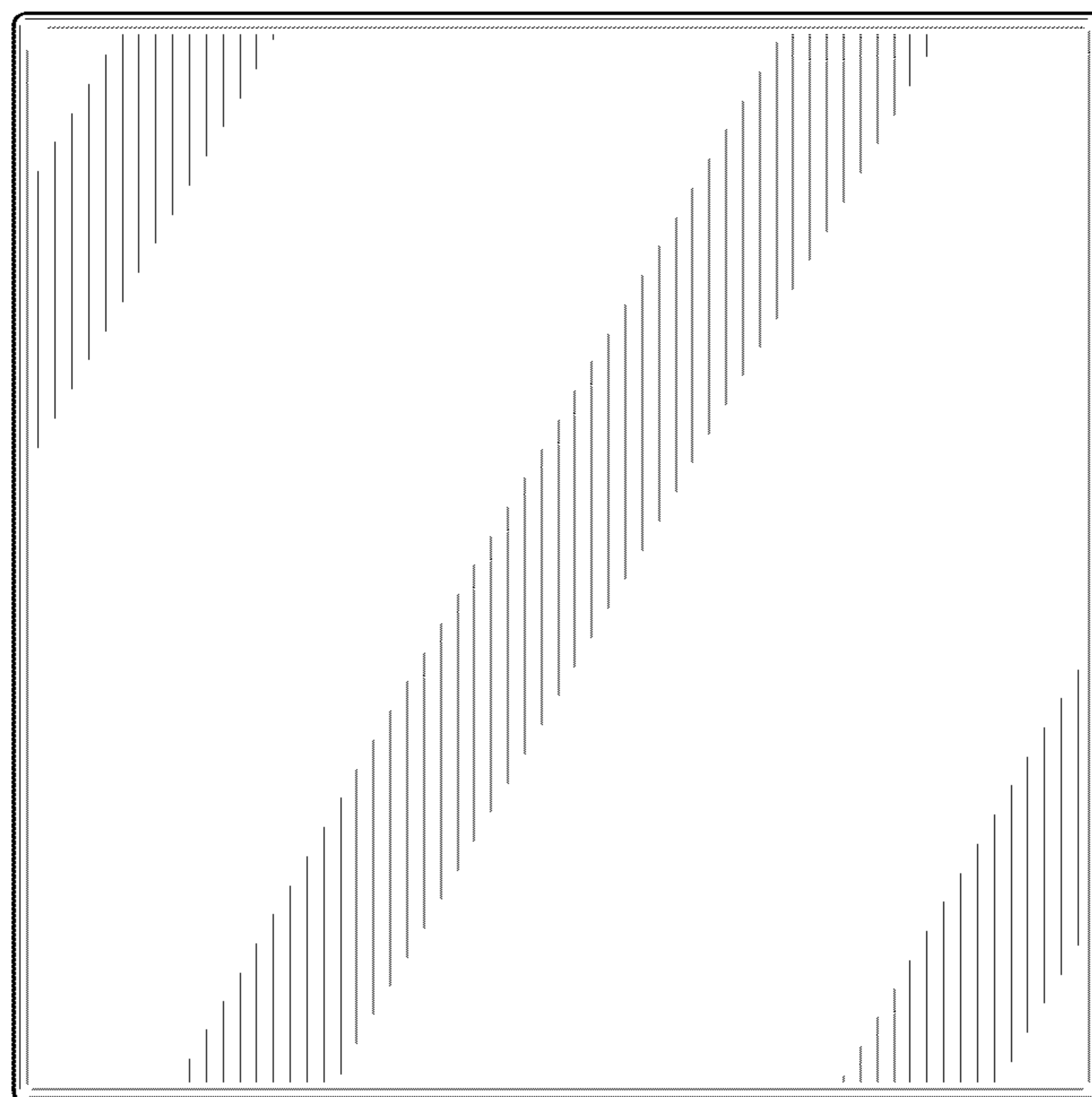


FIG. 6

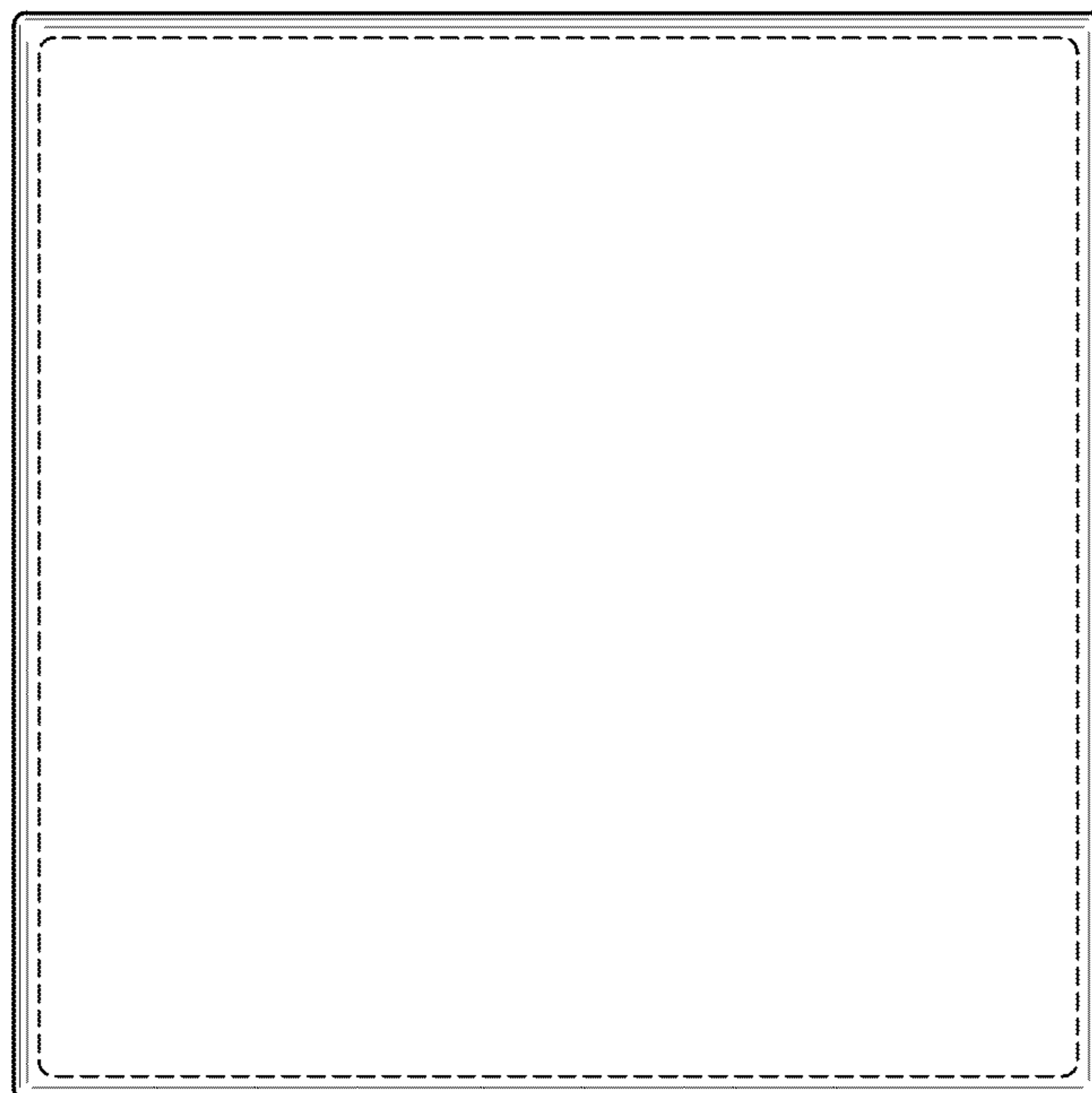


FIG. 7