



US00D694379S

(12) **United States Design Patent**
Bates

(10) **Patent No.:** **US D694,379 S**

(45) **Date of Patent:** **** Nov. 26, 2013**

(54) **TOILET TANK**

(71) Applicant: **Kohler Co.**, Kohler, WI (US)

(72) Inventor: **Michael R. Bates**, Kohler, WI (US)

(73) Assignee: **Kohler Co.**, Kohler, WI (US)

(**) Term: **14 Years**

(21) Appl. No.: **29/454,488**

(22) Filed: **May 10, 2013**

D531,714 S 11/2006 Soulier
D578,625 S 10/2008 Ho
D585,128 S 1/2009 Slothower
D601,233 S 9/2009 Kergoet
D637,702 S 5/2011 Rexach

Primary Examiner — Robert Delehanty

(74) *Attorney, Agent, or Firm* — Foley & Lardner LLP

(57) **CLAIM**

I claim the ornamental design for a toilet tank, as shown and described.

DESCRIPTION

FIG. 1 is a perspective view of an embodiment of the claimed design;

FIG. 2 is a front view of the embodiment of the claimed design shown in FIG. 1;

FIG. 3 is a rear view of the embodiment of the claimed design shown in FIG. 1;

FIG. 4 is a side view of the embodiment of the claimed design shown in FIG. 1;

FIG. 5 is another side view of the embodiment of the claimed design shown in FIG. 1;

FIG. 6 is a top view of the embodiment of the claimed design shown in FIG. 1; and,

FIG. 7 is a bottom view of the embodiment of the claimed design shown in FIG. 1.

The ornamental design which is claimed is shown in solid lines in the drawings. The broken lines in the drawings are for illustrative purposes only and form no part of the claimed design.

Related U.S. Application Data

(62) Division of application No. 29/448,365, filed on Mar. 12, 2013.

(51) **LOC (9) Cl.** **23-02**

(52) **U.S. Cl.**
USPC **D23/313**

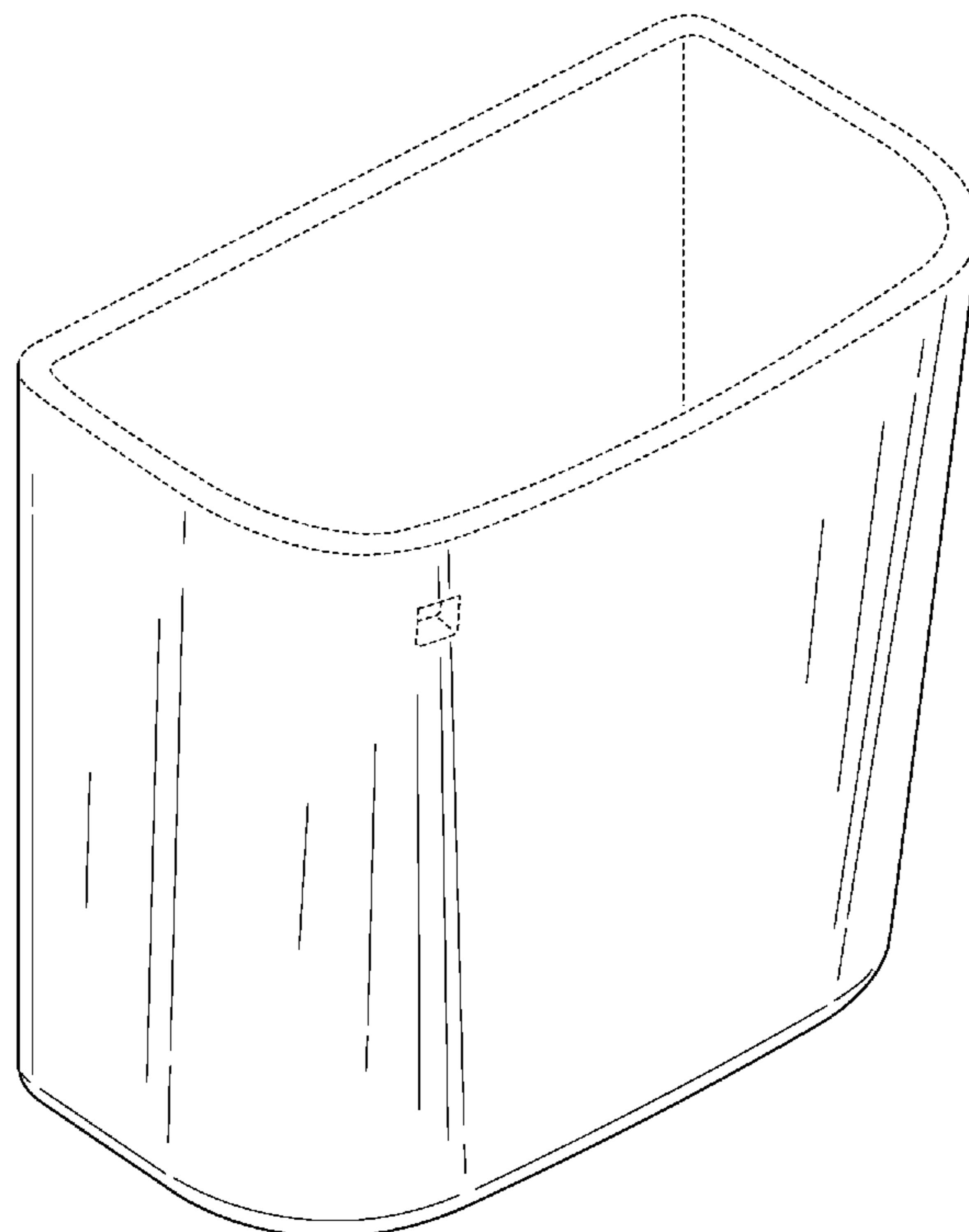
(58) **Field of Classification Search**
USPC D23/295, 301, 303, 313; 4/300, 353
See application file for complete search history.

(56) **References Cited**

U.S. PATENT DOCUMENTS

D346,854 S 5/1994 Reid
D379,217 S 5/1997 Kergoet
D390,933 S 2/1998 Slothower
D412,742 S 8/1999 Soulier
D471,621 S 3/2003 Bennie
D476,402 S 6/2003 Palacin

1 Claim, 6 Drawing Sheets



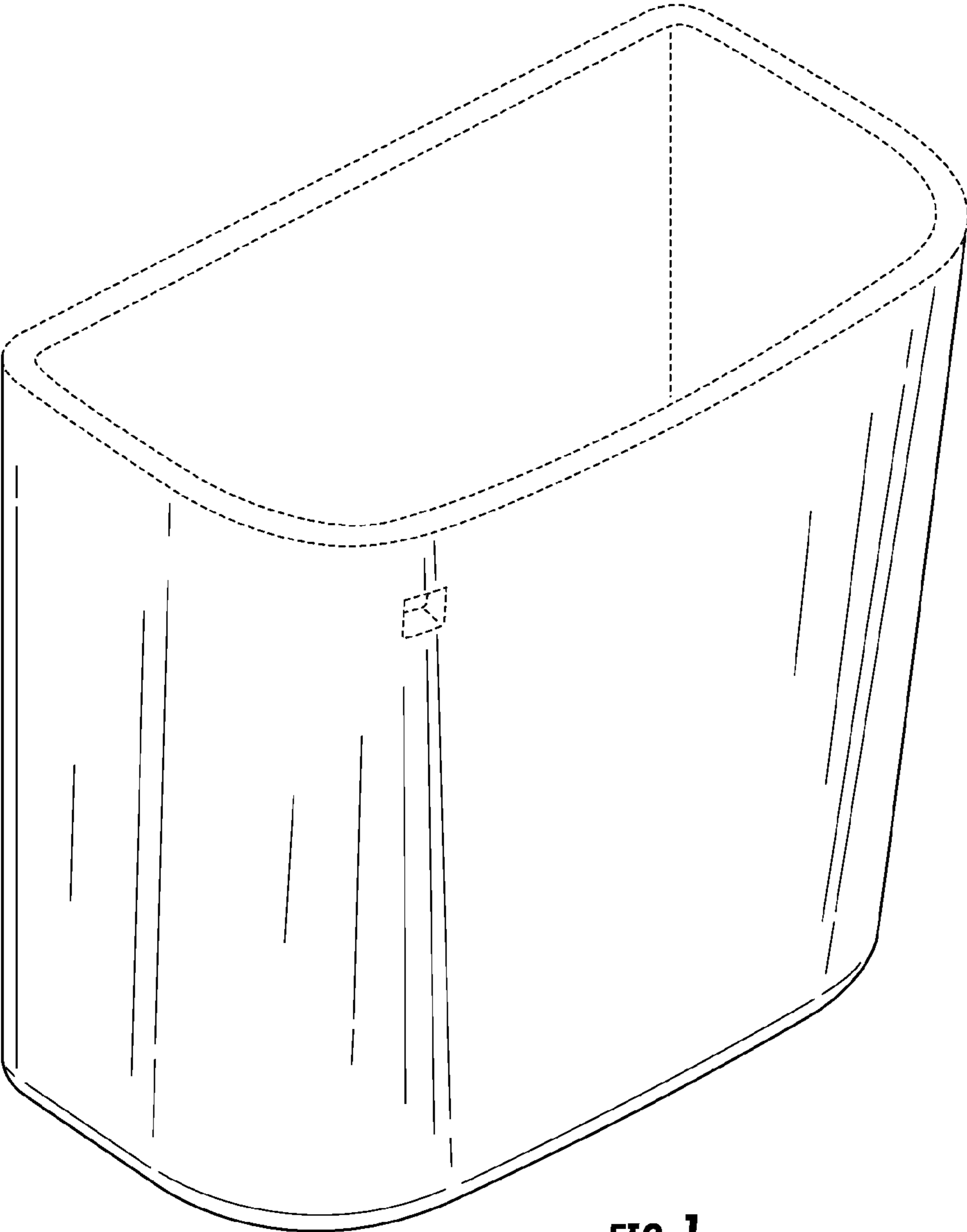


FIG. 1

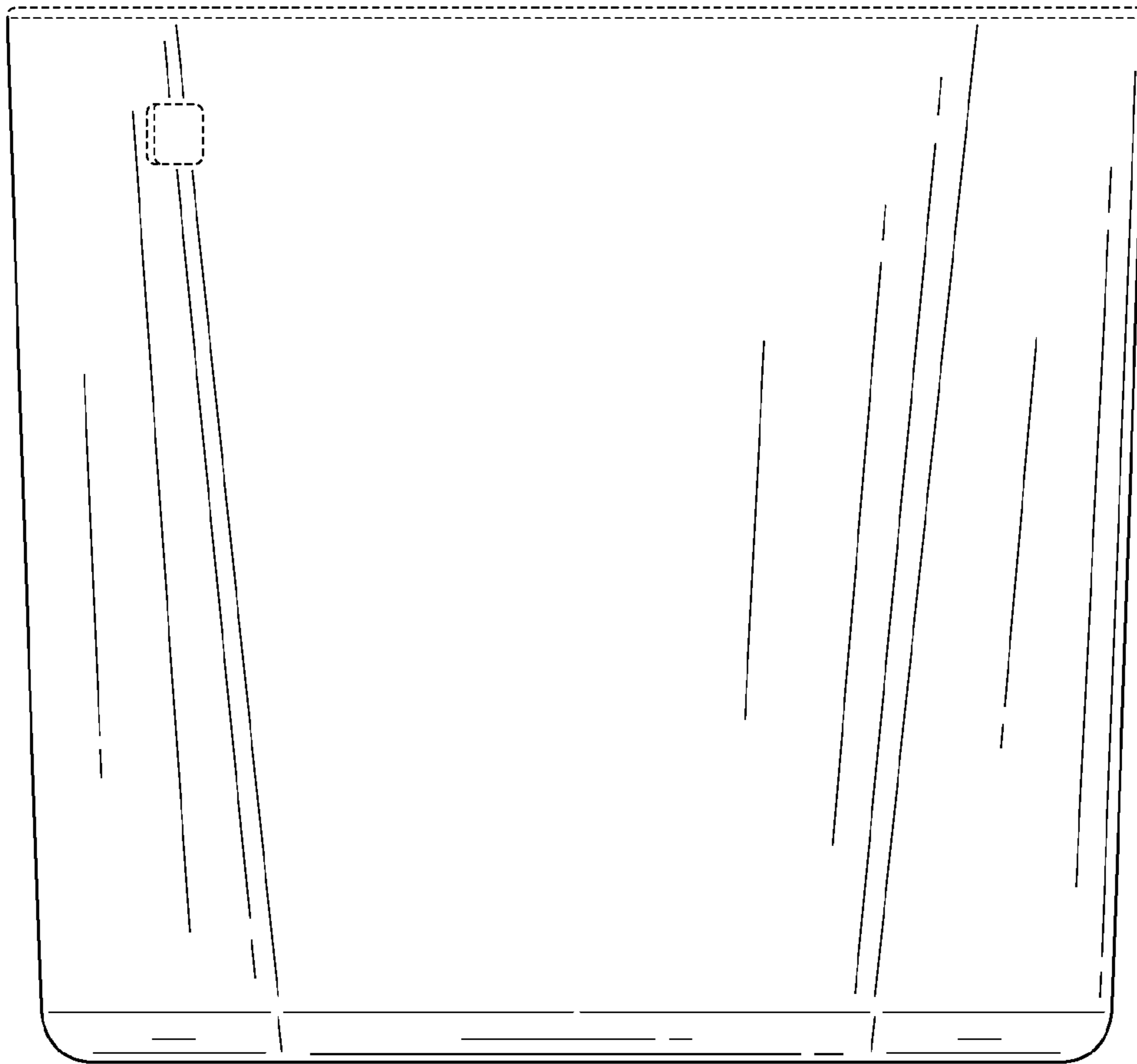


FIG. 2

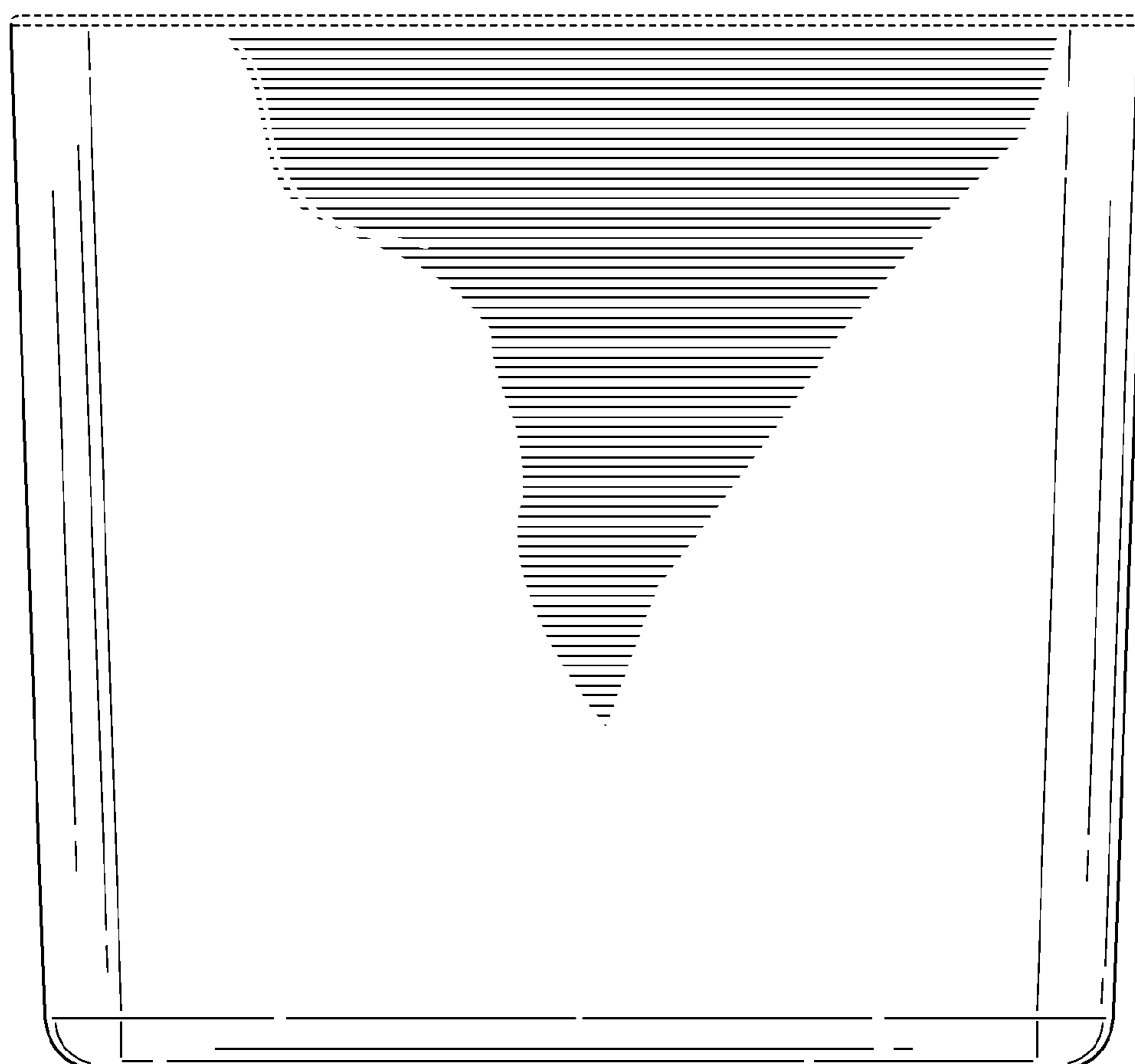


FIG. 3

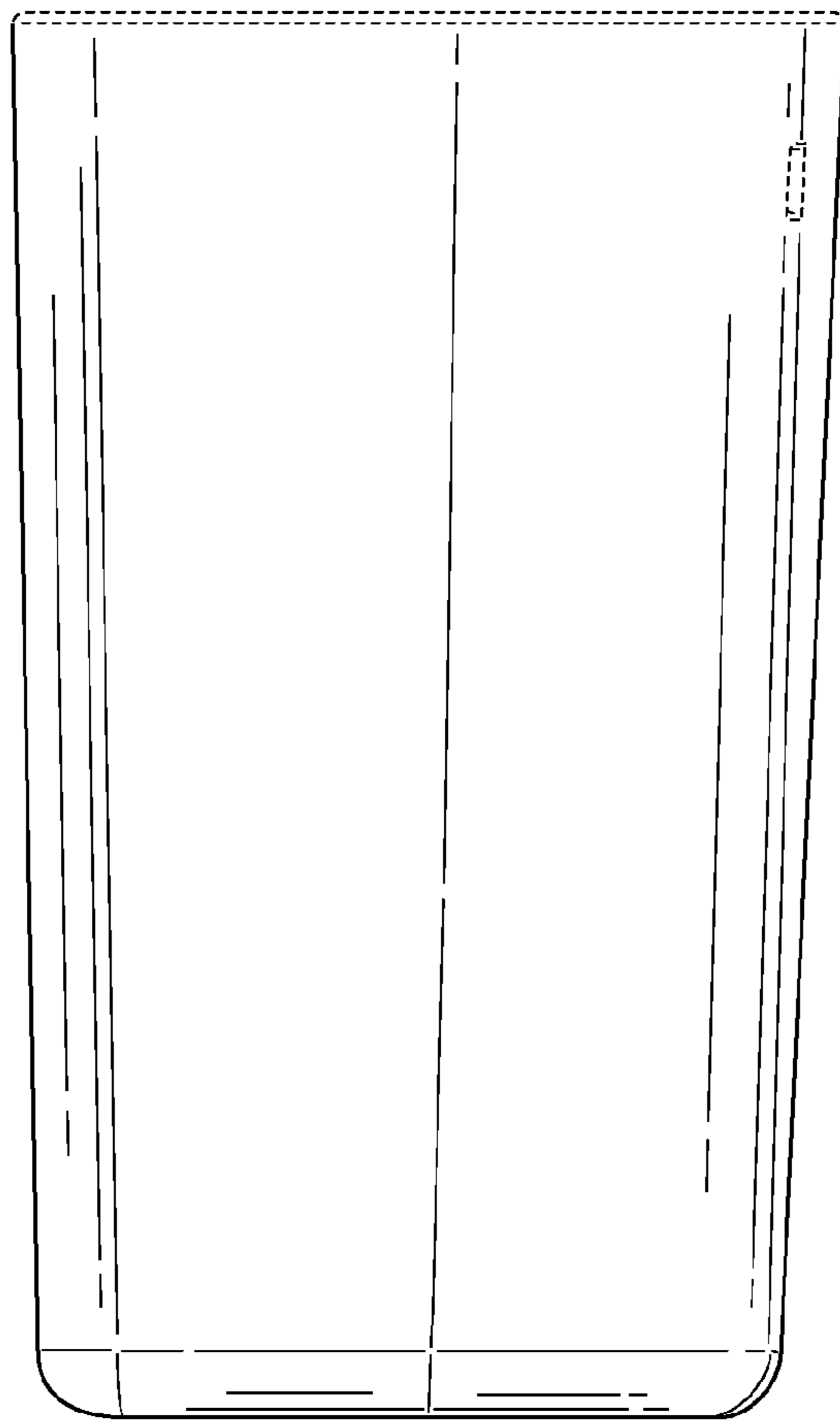


FIG. 4

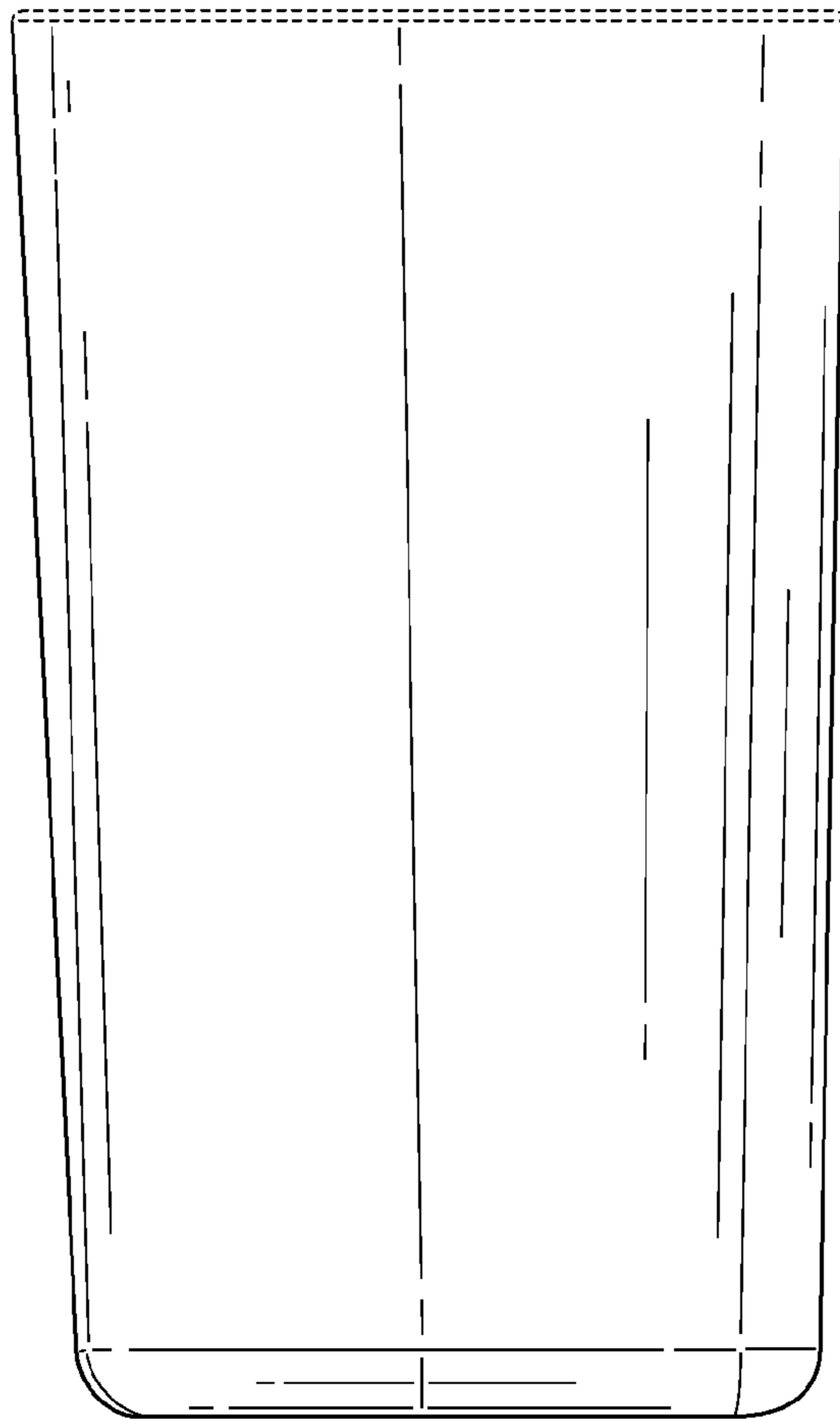


FIG. 5

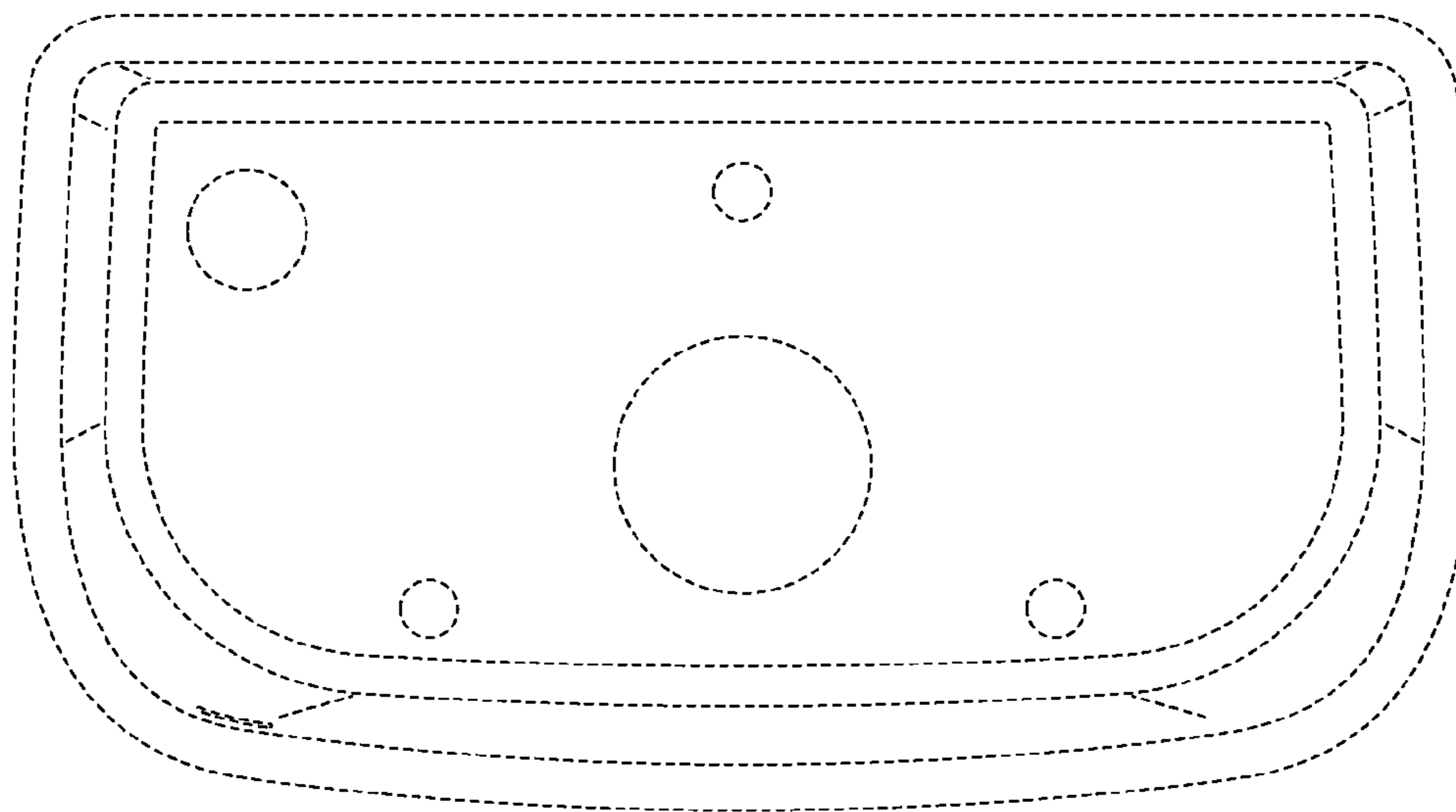


FIG. 6

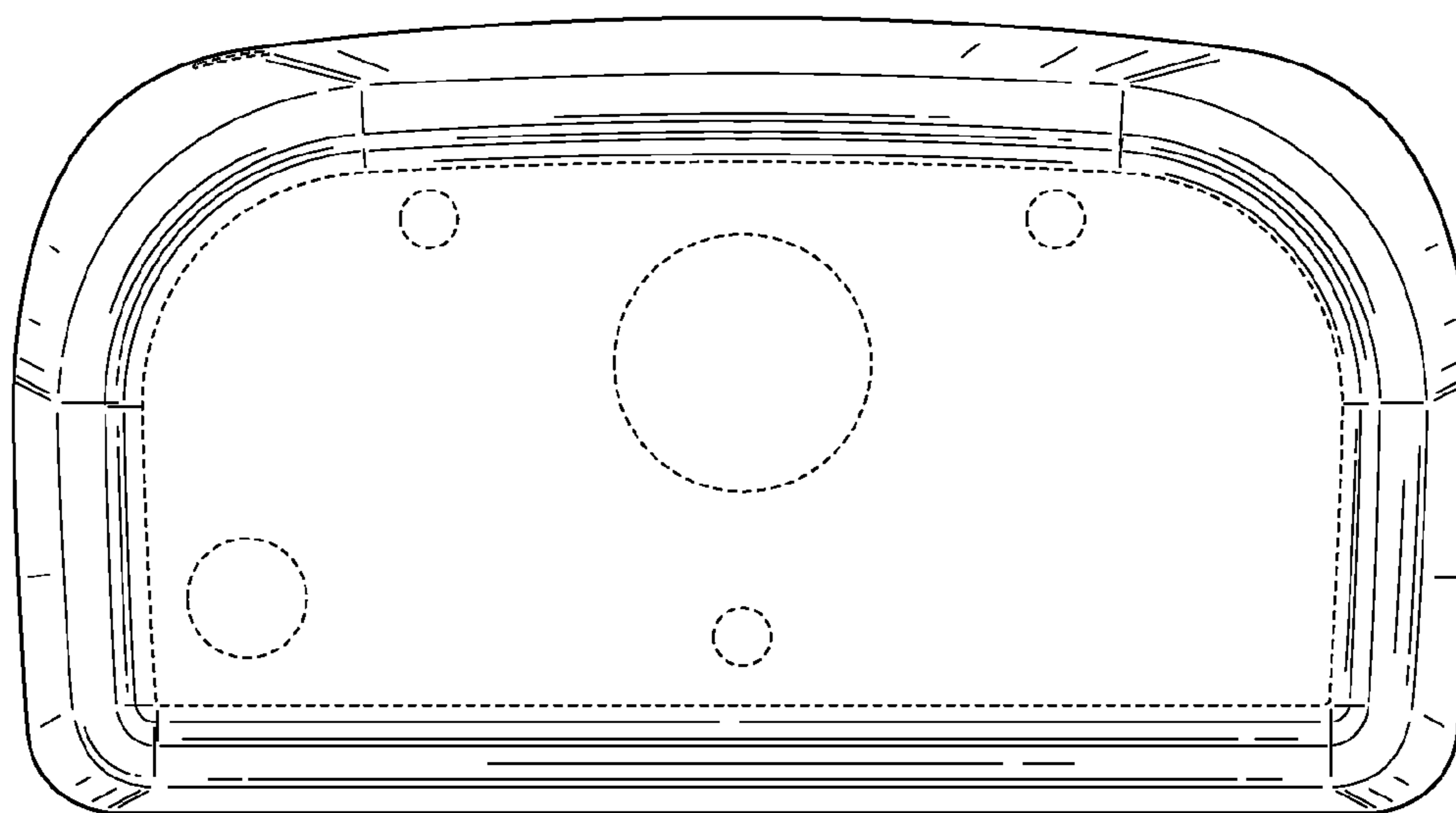


FIG. 7