



US00D694378S

(12) **United States Design Patent**
Bates

(10) **Patent No.:** **US D694,378 S**

(45) **Date of Patent:** **** Nov. 26, 2013**

(54) **TOILET TANK AND LID**

Primary Examiner — Robert Delehanty

(74) *Attorney, Agent, or Firm* — Foley & Lardner LLP

(71) Applicant: **Kohler Co.**, Kohler, WI (US)

(72) Inventor: **Michael Bates**, Kohler, WI (US)

(73) Assignee: **Kohler Co.**, Kohler, WI (US)

(**) Term: **14 Years**

(57) **CLAIM**

I claim the ornamental design for a toilet tank and lid, as shown and described.

(21) Appl. No.: **29/448,365**

(22) Filed: **Mar. 12, 2013**

DESCRIPTION

(51) **LOC (9) Cl.** **23-02**

(52) **U.S. Cl.**
USPC **D23/313**

(58) **Field of Classification Search**
USPC D23/295, 301, 303, 313; 4/300, 353
See application file for complete search history.

FIG. 1 is a perspective view of an embodiment of the claimed design;
FIG. 2 is a front view of the embodiment of the claimed design shown in FIG. 1;
FIG. 3 is a rear view of the embodiment of the claimed design shown in FIG. 1;
FIG. 4 is a side view of the embodiment of the claimed design shown in FIG. 1;
FIG. 5 is another side view of the embodiment of the claimed design shown in FIG. 1;
FIG. 6 is a top view of the embodiment of the claimed design shown in FIG. 1; and,
FIG. 7 is a bottom view of the embodiment of the claimed design shown in FIG. 1.

(56) **References Cited**

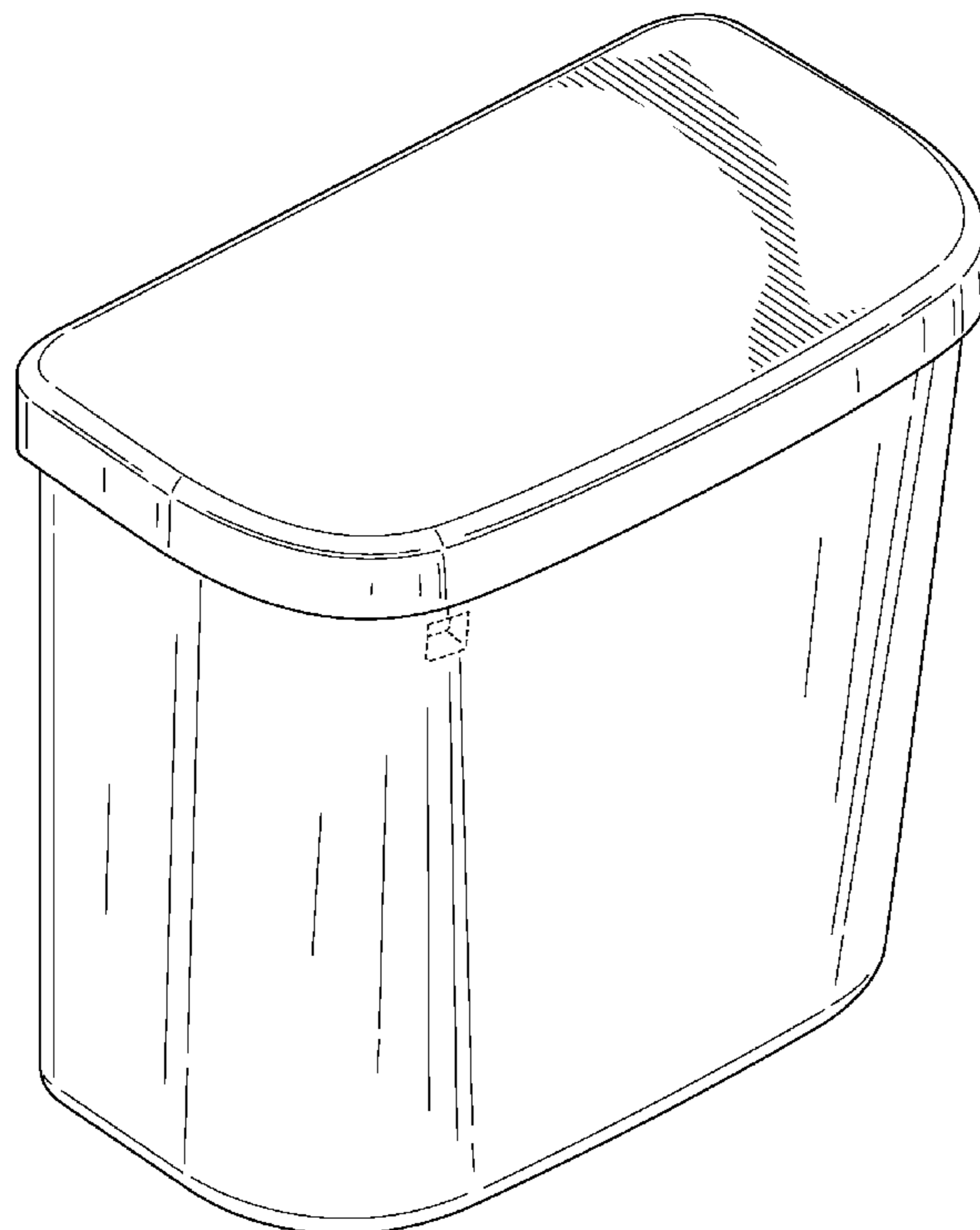
U.S. PATENT DOCUMENTS

D346,854 S	5/1994	Reid	
D379,217 S	5/1997	Kergoet	
D390,933 S	2/1998	Slothower	
D412,742 S	8/1999	Soulier	
D471,621 S *	3/2003	Bennie	D23/313
D476,402 S *	6/2003	Singla Palacin	D23/313
D531,714 S *	11/2006	Soulier	D23/313
D578,625 S *	10/2008	Ho	D23/313
D585,128 S	1/2009	Slothower	
D601,233 S	9/2009	Kergoet	
D637,702 S *	5/2011	Rexach	D23/313

The ornamental design which is claimed is shown in solid lines in the drawings. The broken lines in the drawings are for illustrative purposes only and form no part of the claimed design.

* cited by examiner

1 Claim, 6 Drawing Sheets



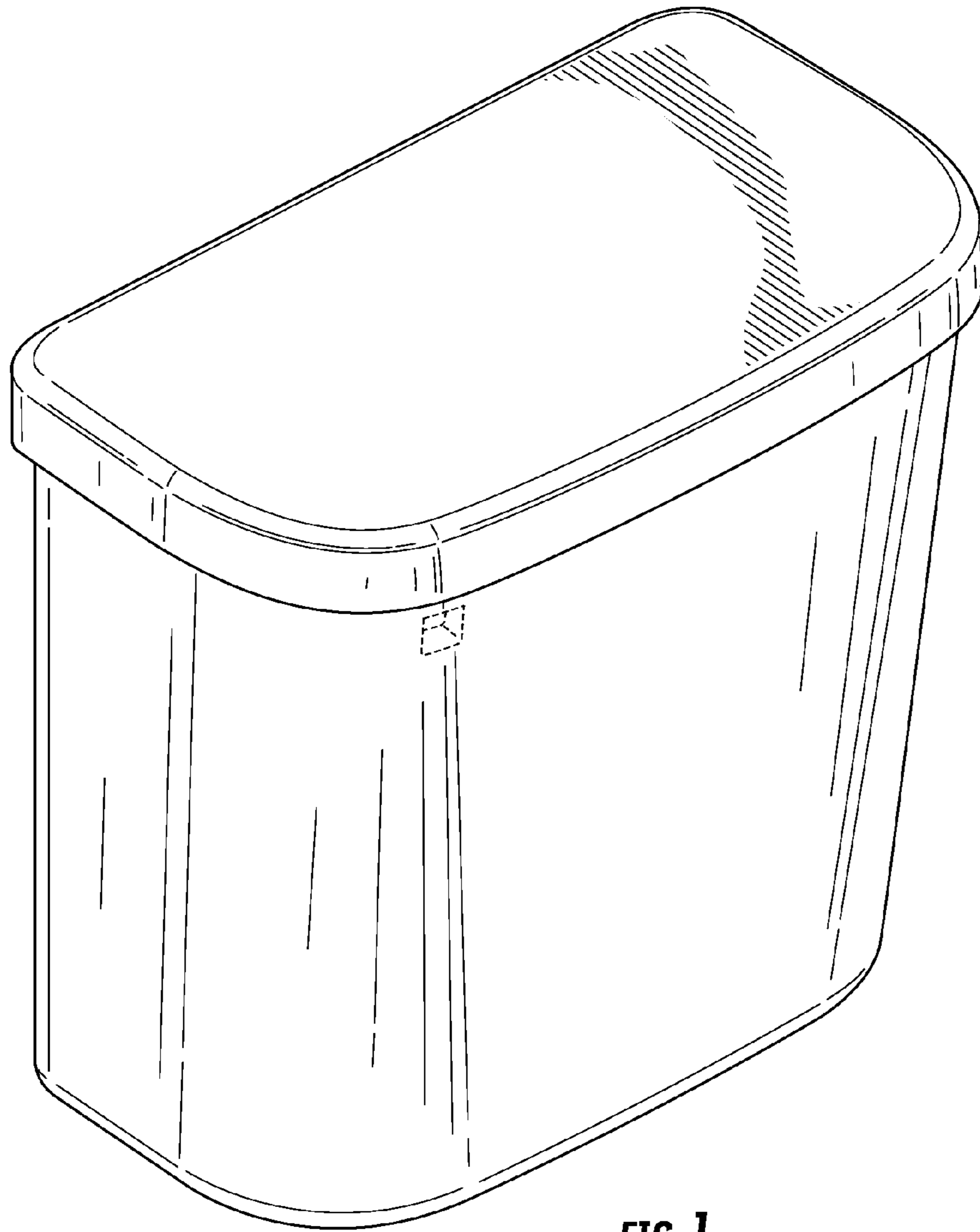


FIG. 1

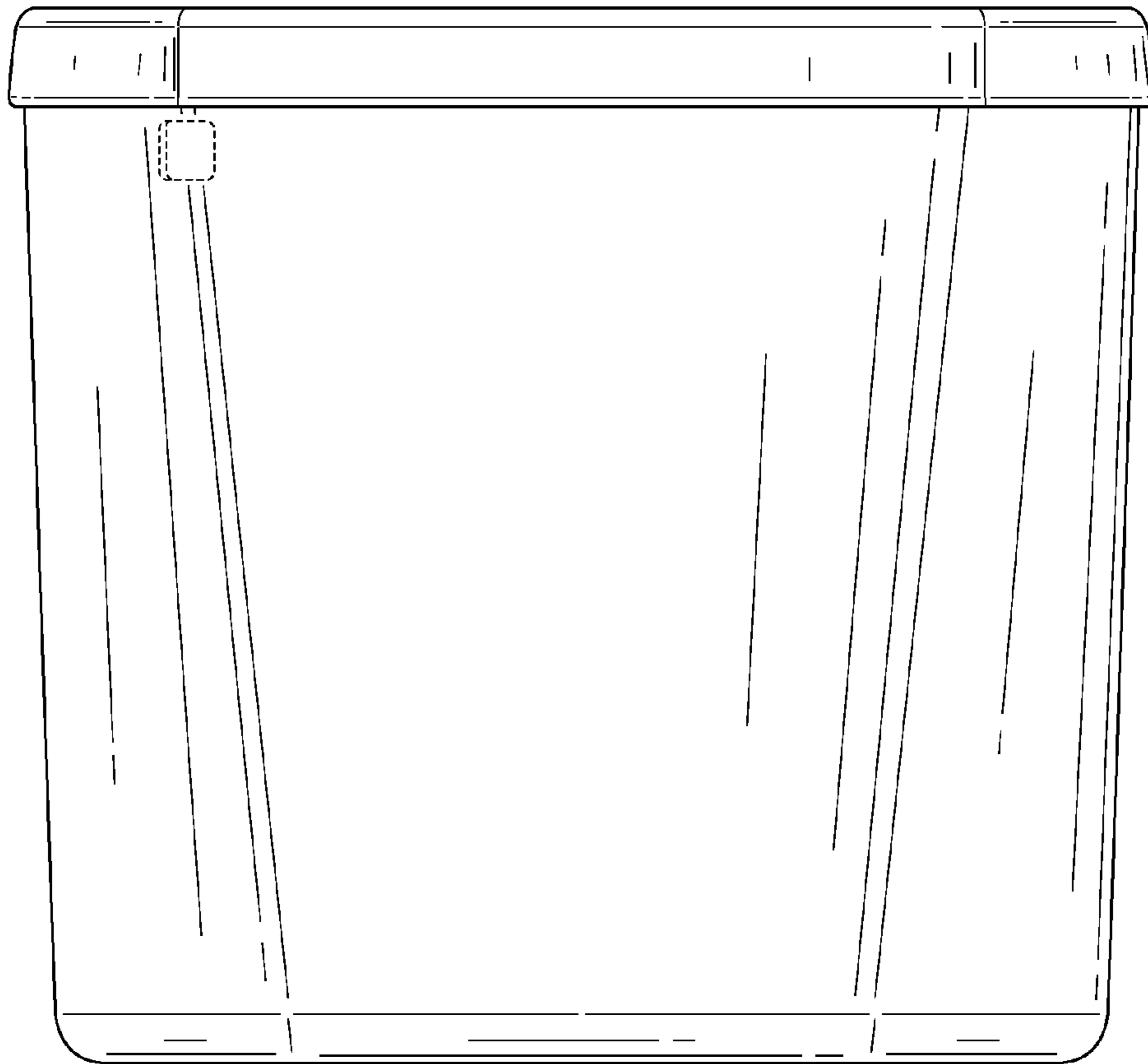


FIG. 2

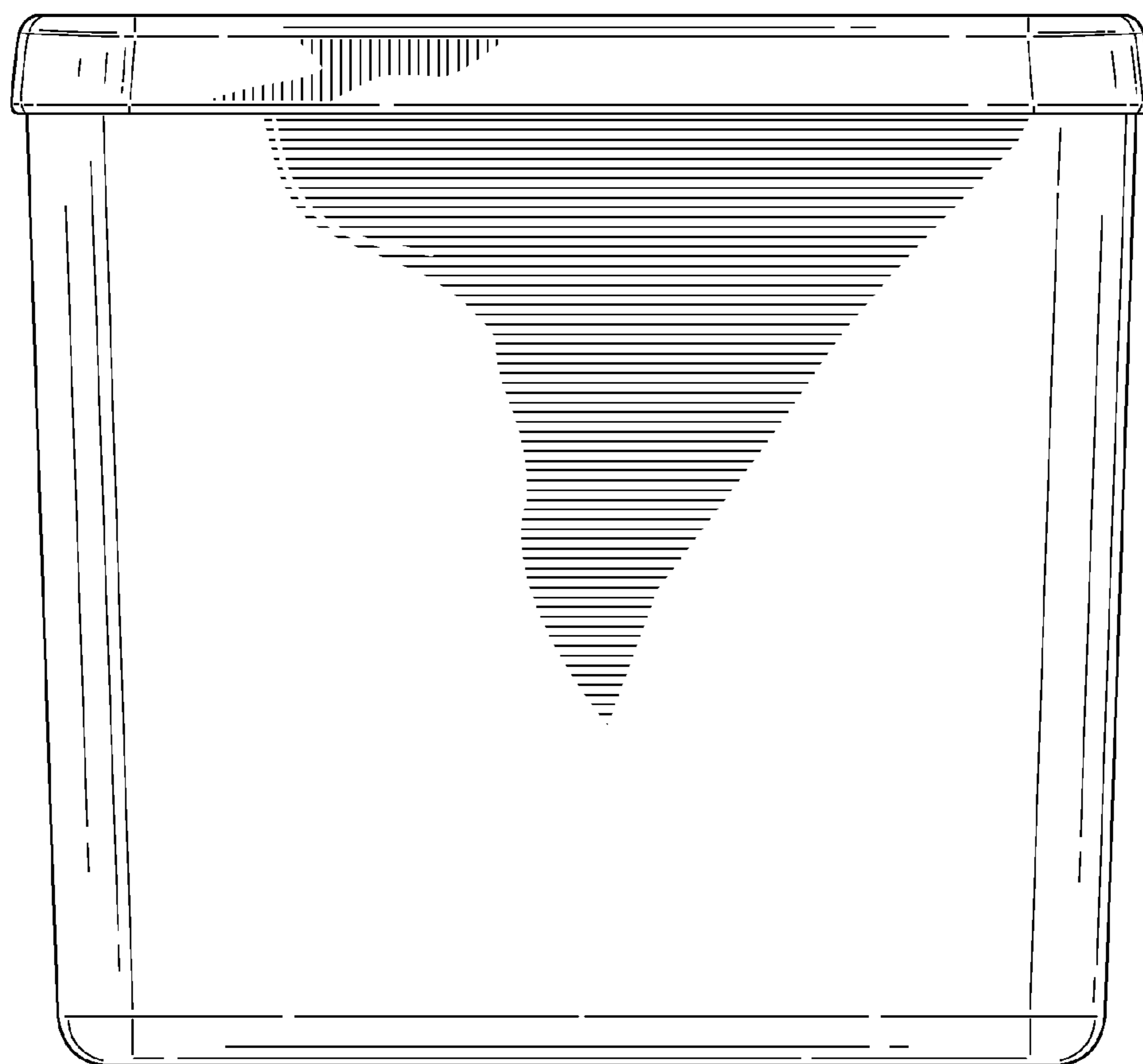


FIG. 3

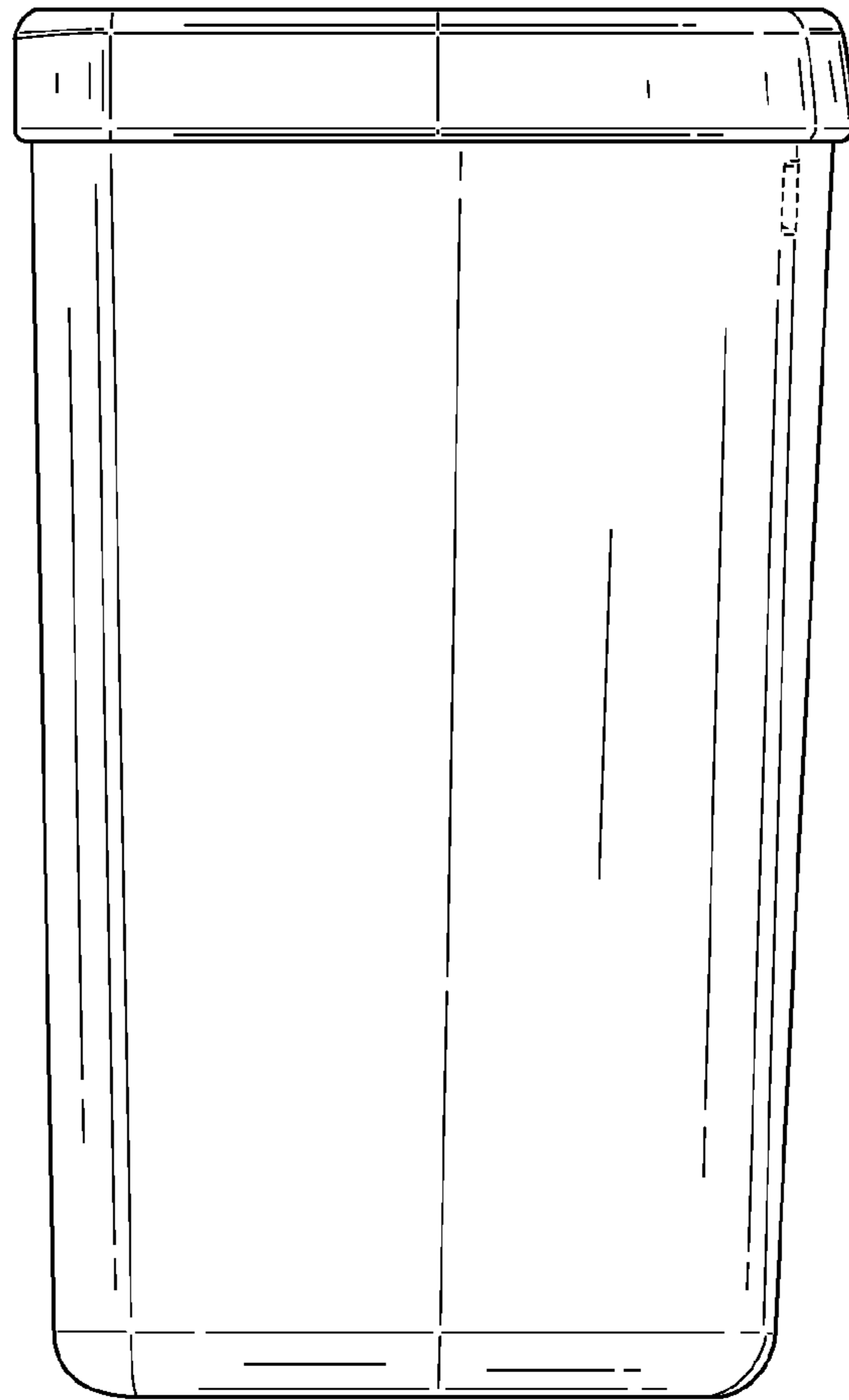


FIG. 4

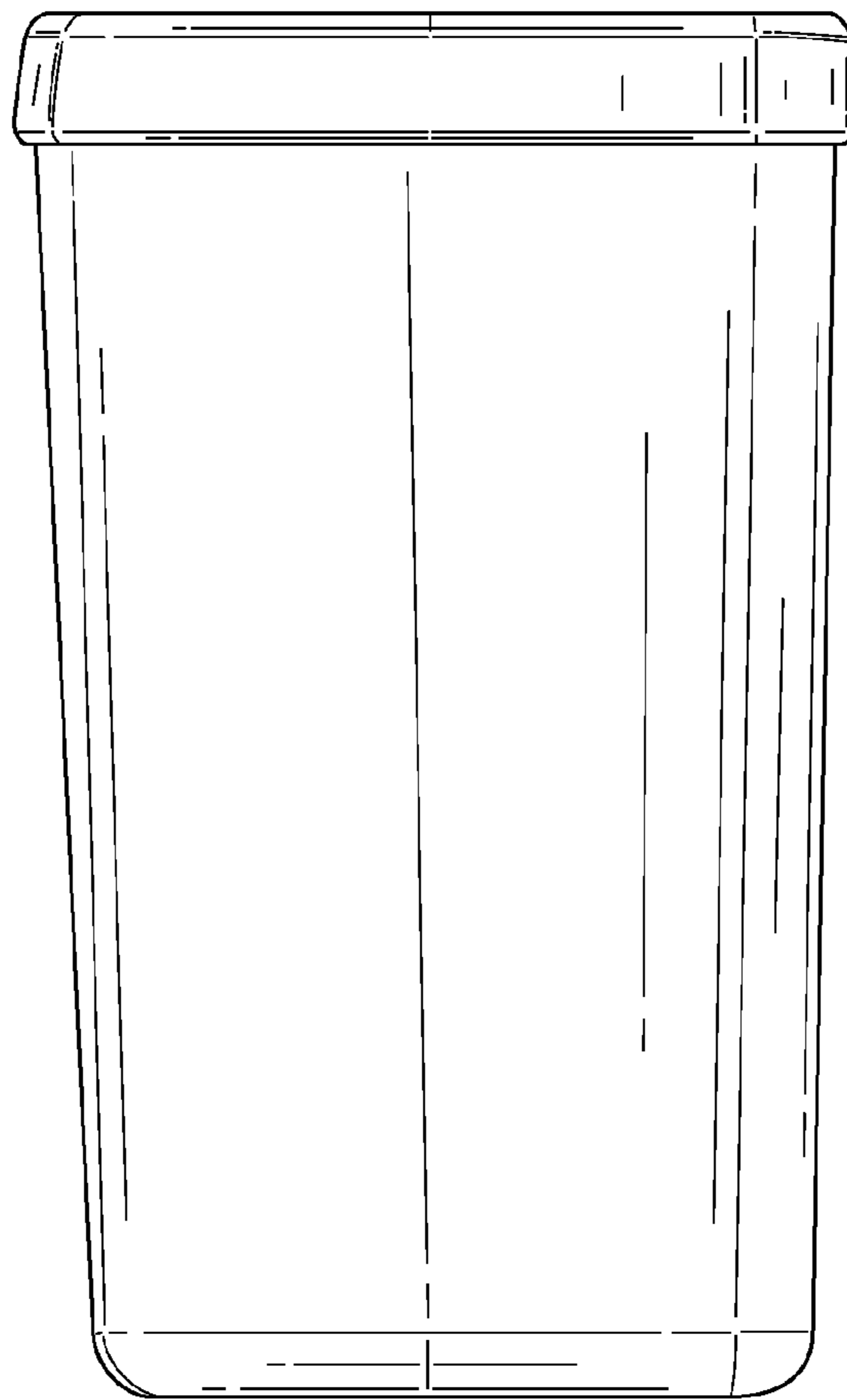


FIG. 5

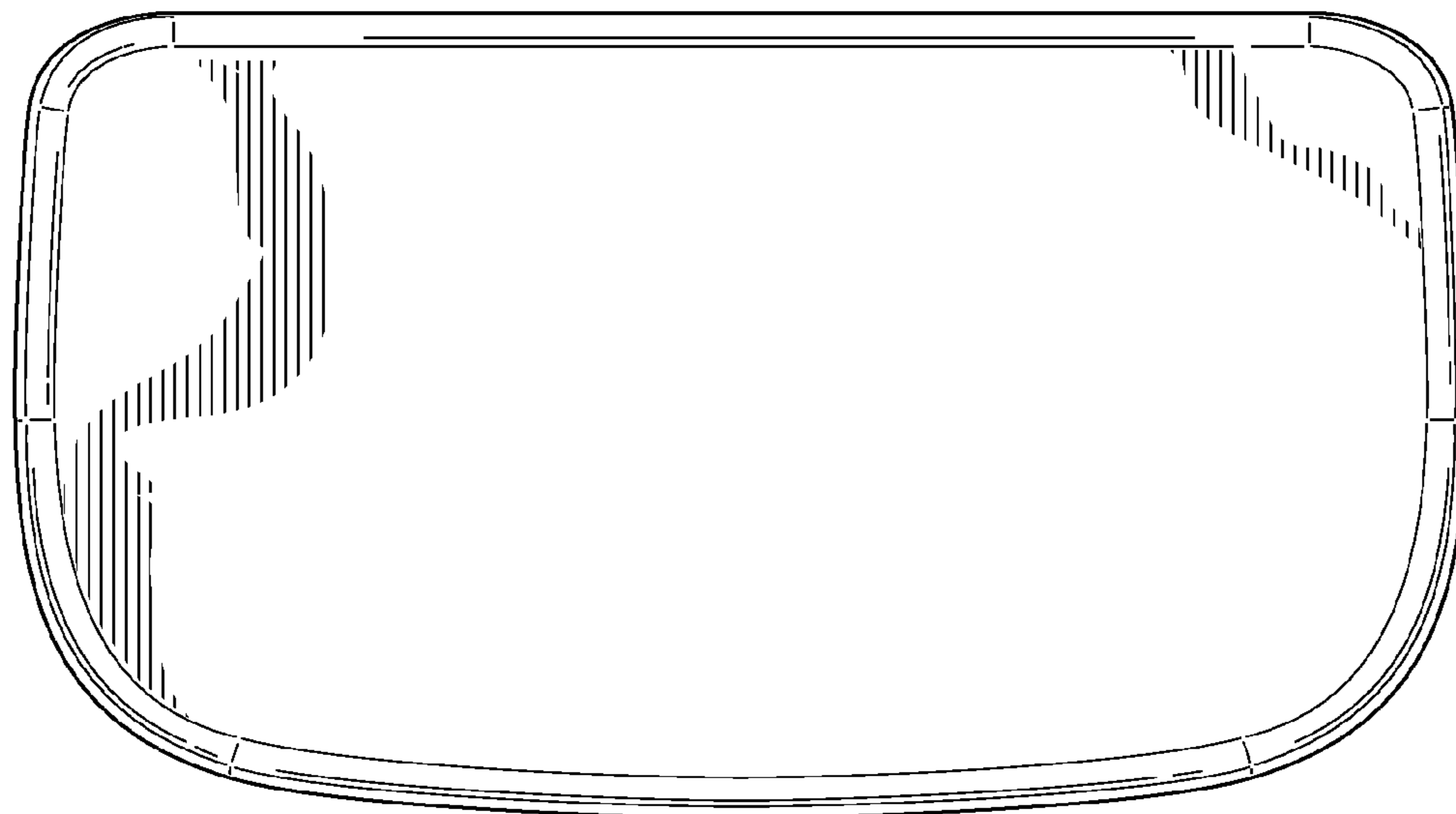


FIG. 6

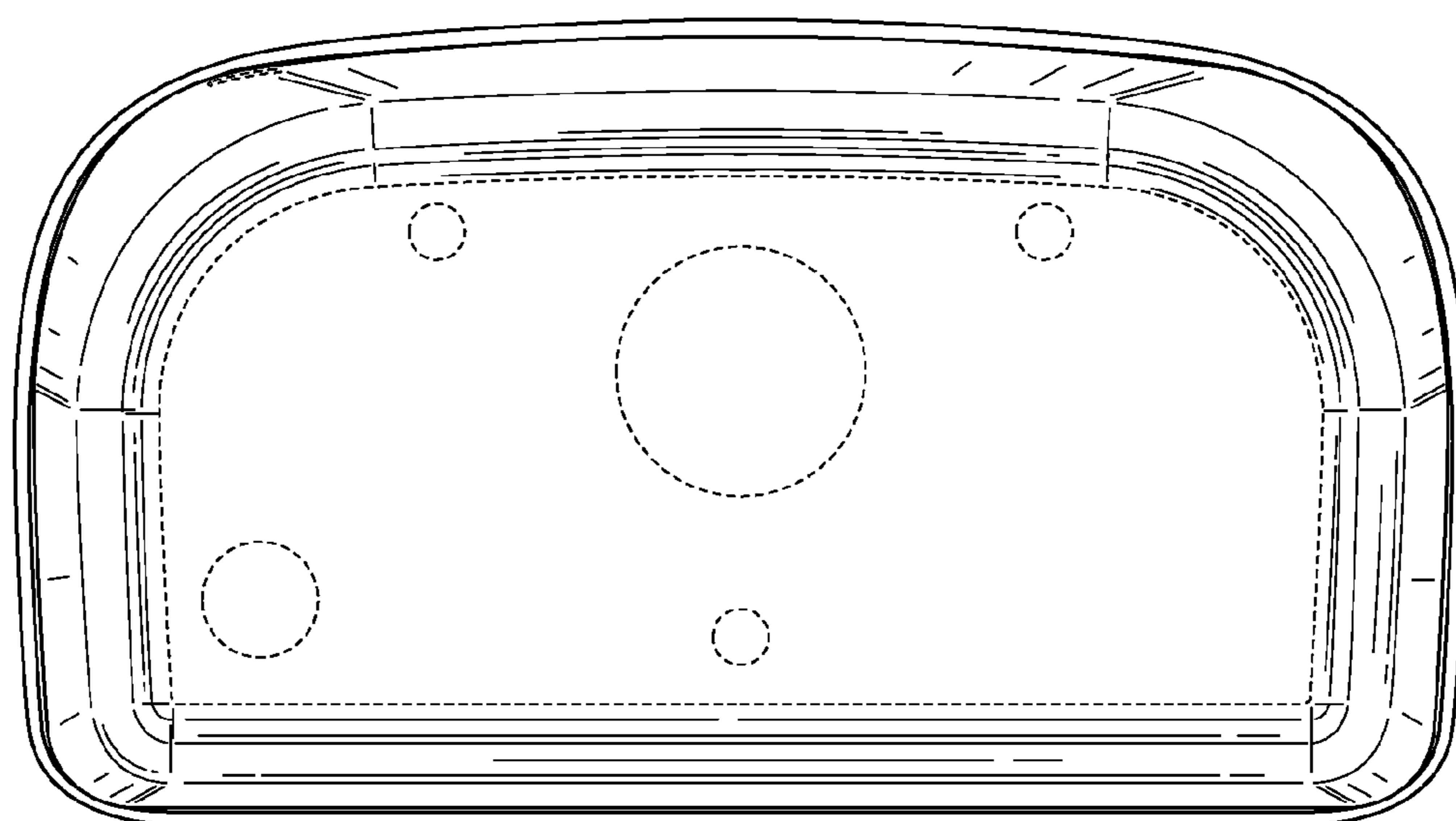


FIG. 7