



US00D694376S

(12) **United States Design Patent**
Knutson

(10) **Patent No.:** **US D694,376 S**

(45) **Date of Patent:** **** Nov. 26, 2013**

(54) **CANAL COVER**

(76) Inventor: **Mark Knutson**, Tijeras, NM (US)

(**) Term: **14 Years**

(21) Appl. No.: **29/404,899**

(22) Filed: **Oct. 26, 2011**

(51) **LOC (9) Cl.** **23-01**

(52) **U.S. Cl.**
USPC **D23/267**

(58) **Field of Classification Search**
USPC D23/267-268; 210/170, 170.01,
210/170.03, 162-166, 474; 404/4-5
See application file for complete search history.

(56) **References Cited**

U.S. PATENT DOCUMENTS

520,993	A *	6/1894	Keller	210/162
4,801,377	A *	1/1989	Bolt	210/162
6,263,618	B1 *	7/2001	Jones	52/12
6,497,816	B2 *	12/2002	Naddy	210/162

D552,532	S *	10/2007	Brockington et al.	D12/400
D634,098	S *	3/2011	Gillig	D1/122
D658,275	S *	4/2012	Luke et al.	D23/267
8,272,170	B2 *	9/2012	Argentina	52/12

* cited by examiner

Primary Examiner — Eric Goodman

(74) *Attorney, Agent, or Firm* — Gina T. Constant; The Rodey Law Firm

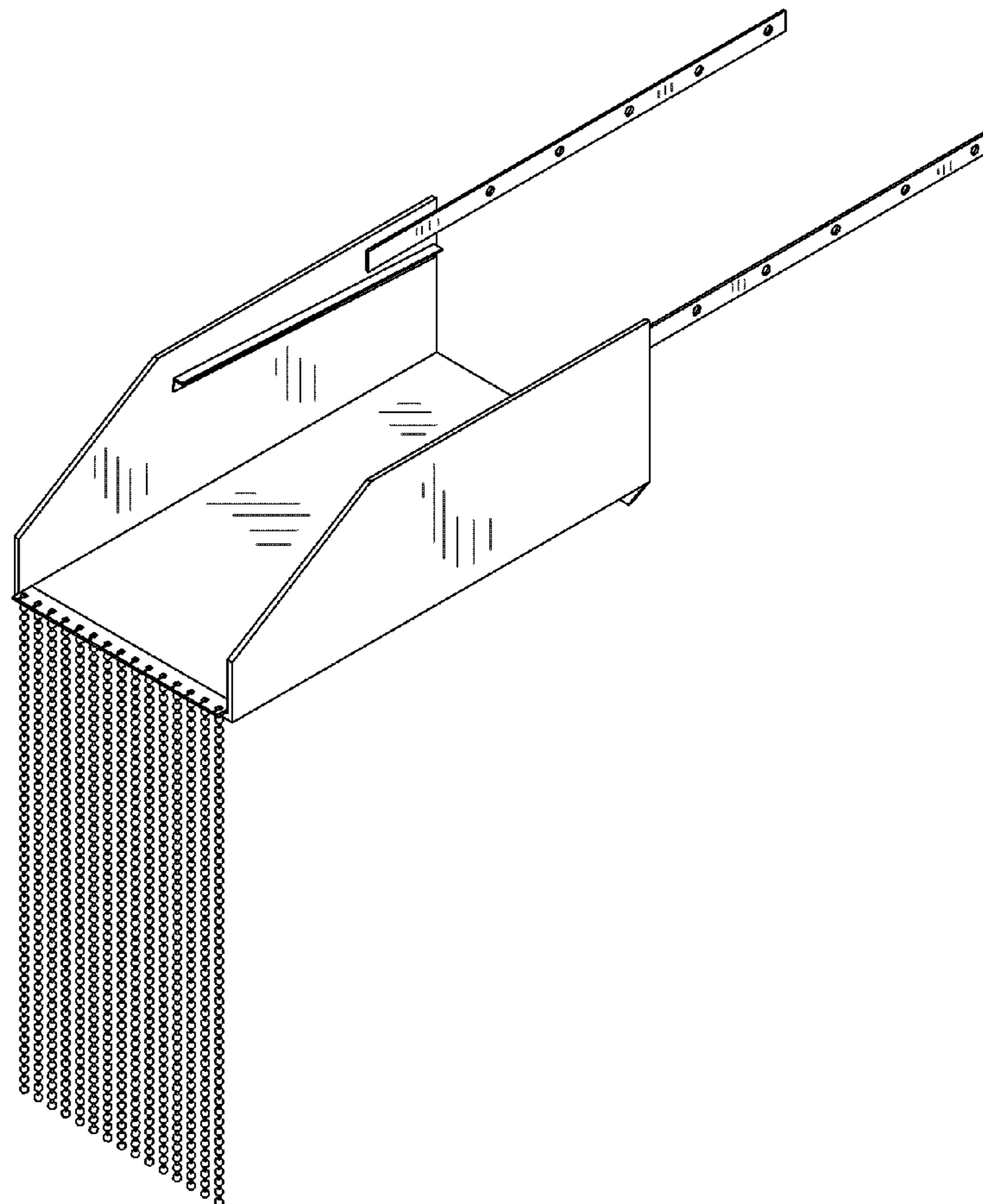
(57) **CLAIM**

I claim the ornamental design for a canal cover, as shown.

DESCRIPTION

FIG. 1 is a top, front perspective view
FIG. 2 is a bottom, rear perspective view
FIG. 3 is a left side elevational view
FIG. 4 is a right side elevational view
FIG. 5 is a rear view
FIG. 6 is a front view
FIG. 7 is a top view; and,
FIG. 8 is a bottom view.

1 Claim, 6 Drawing Sheets



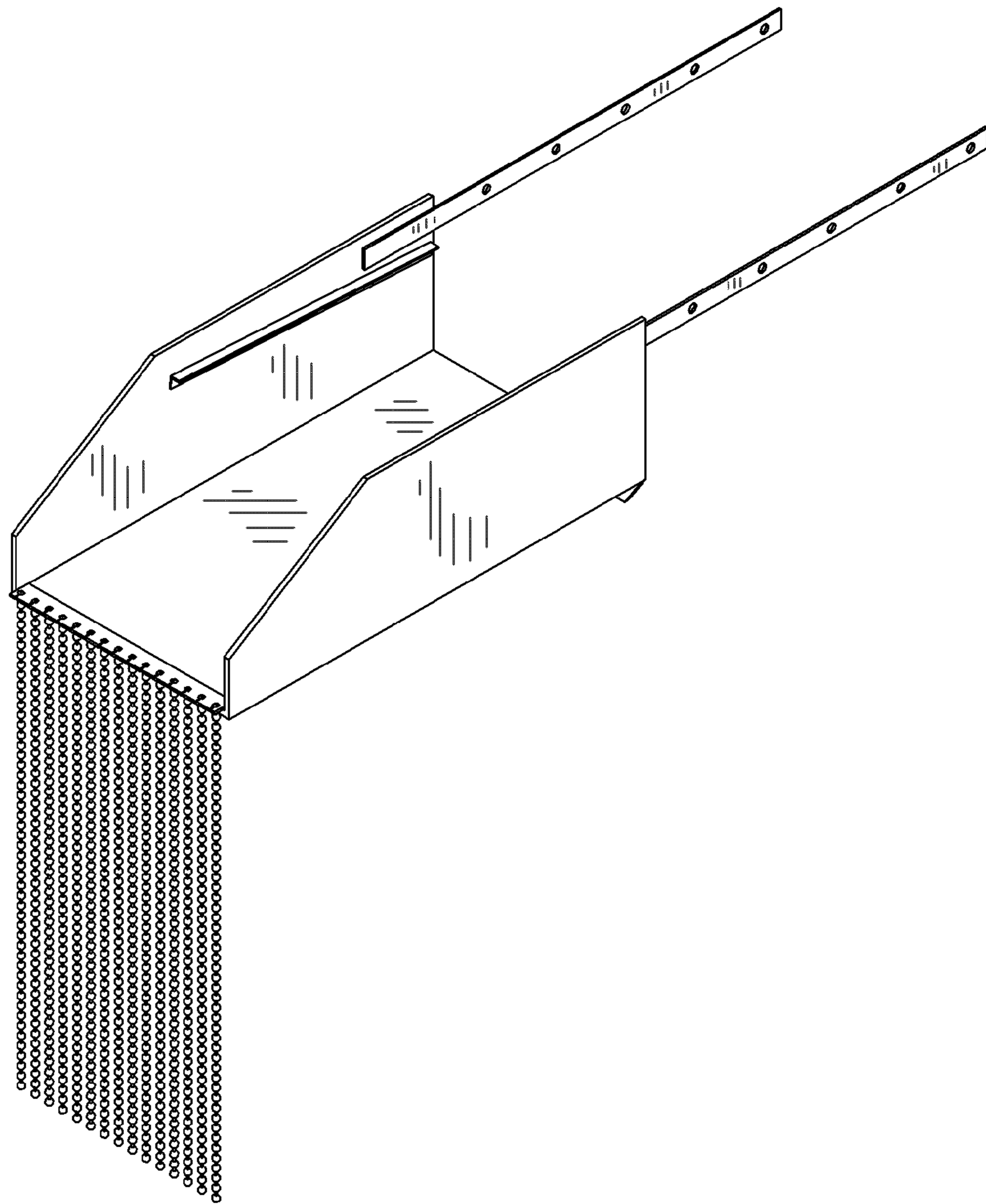


FIG.1

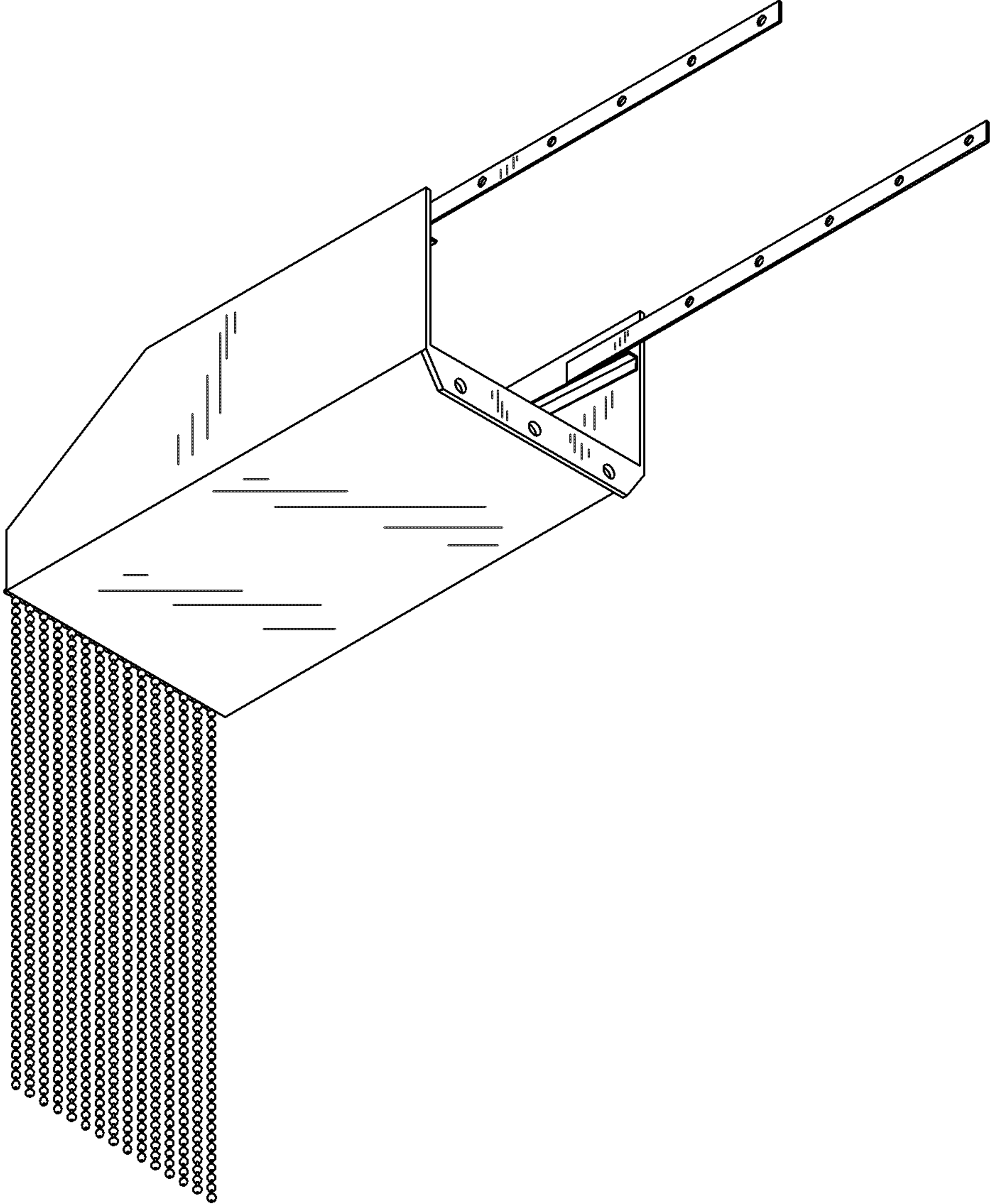


FIG.2

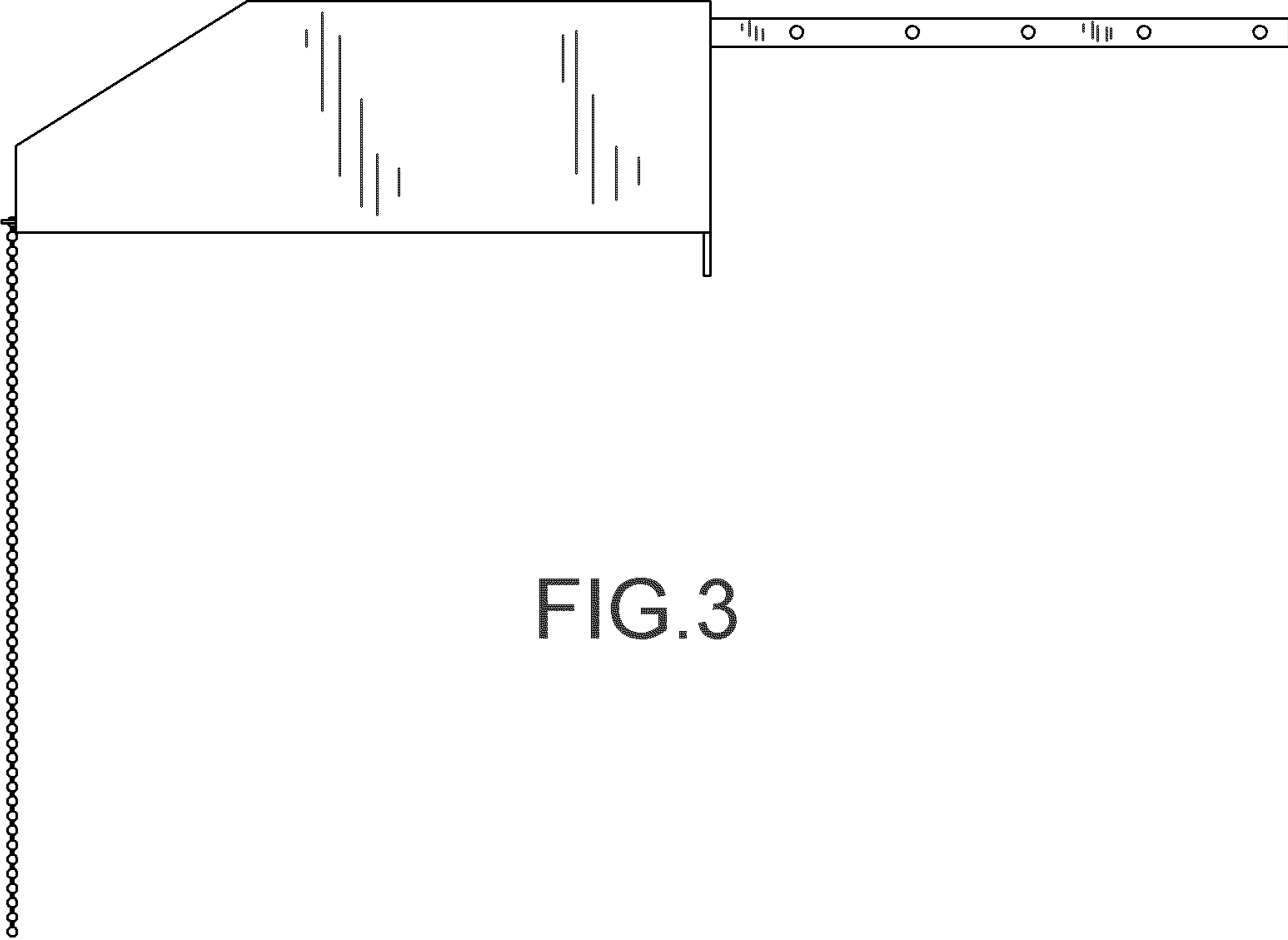


FIG.3

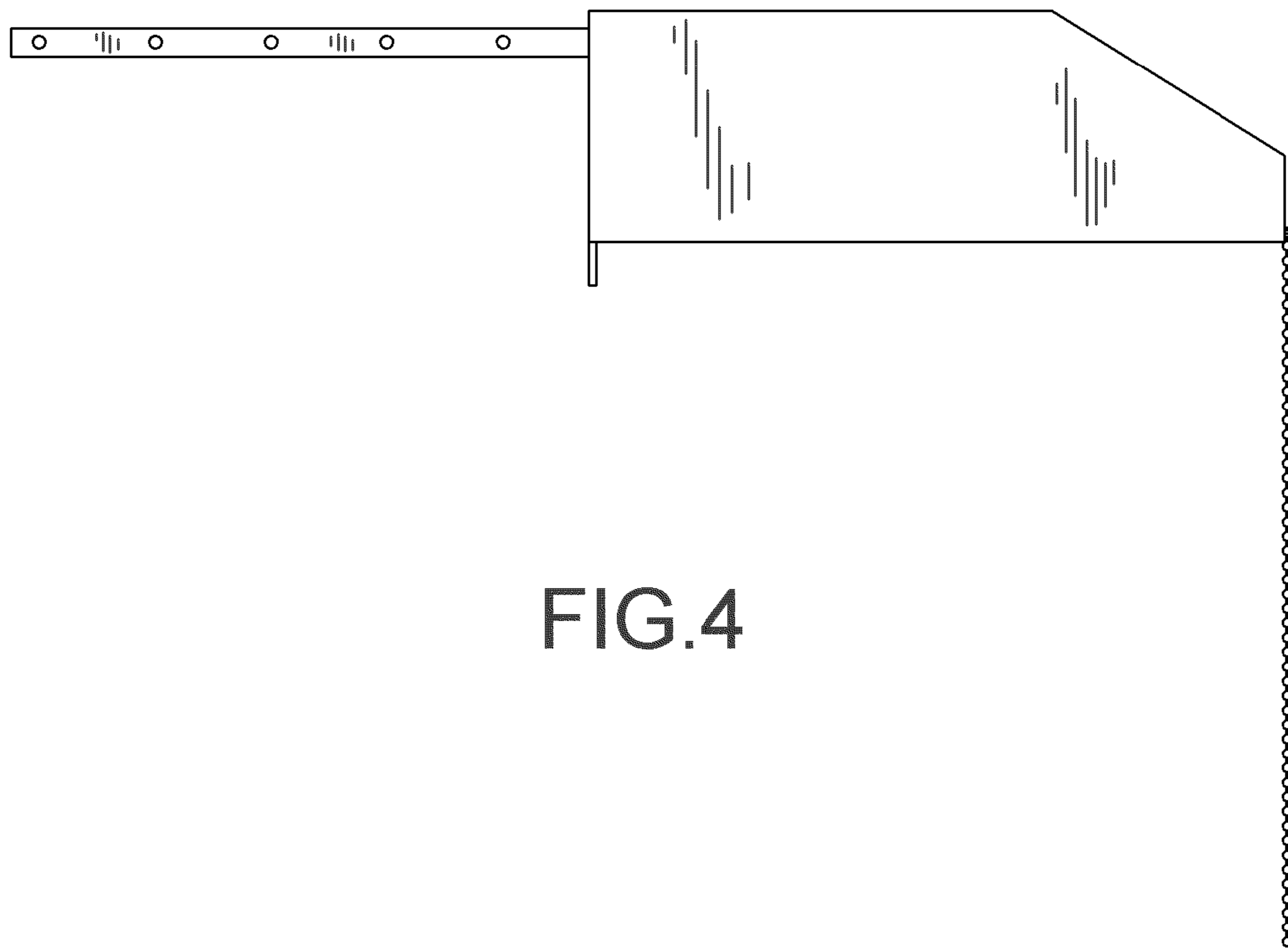


FIG.4

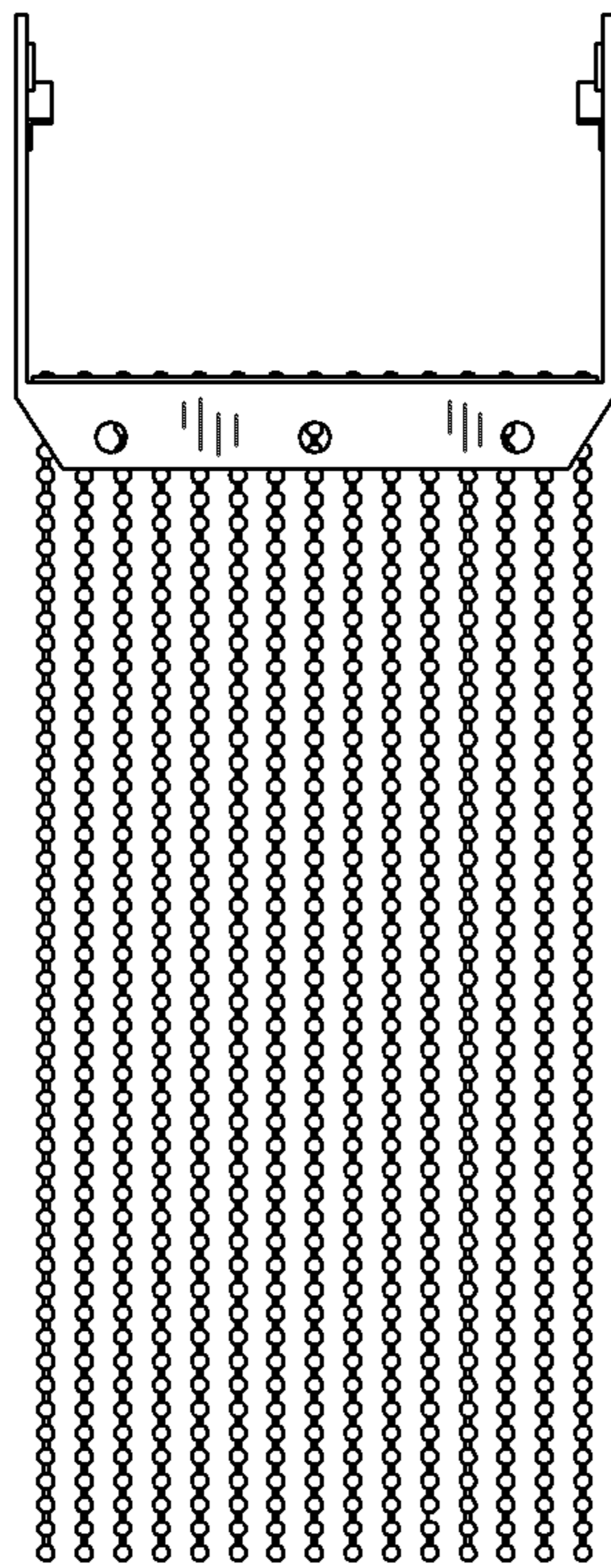


FIG. 5

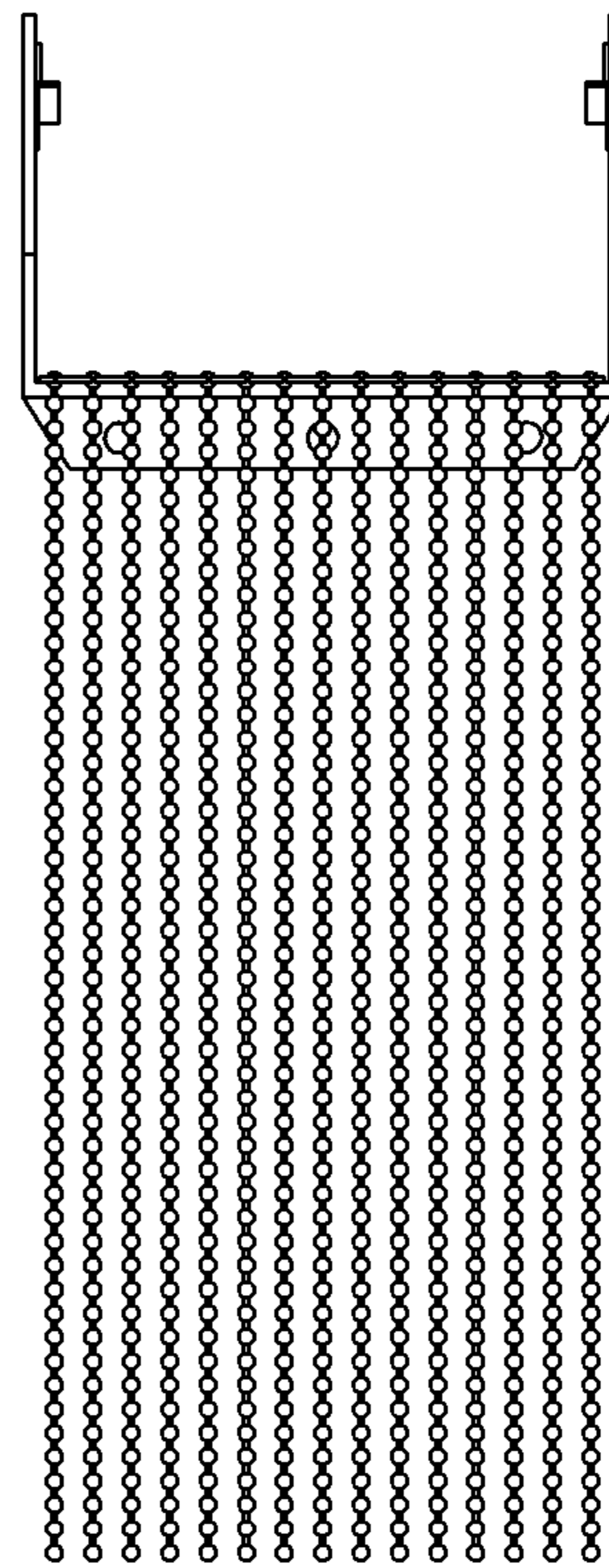


FIG. 6

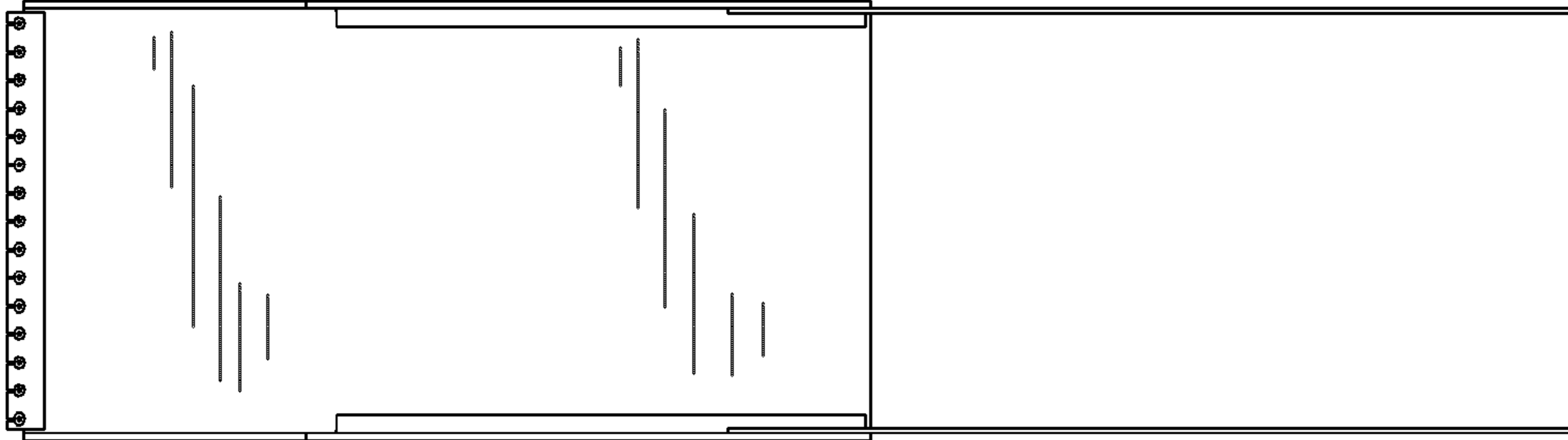


FIG. 7

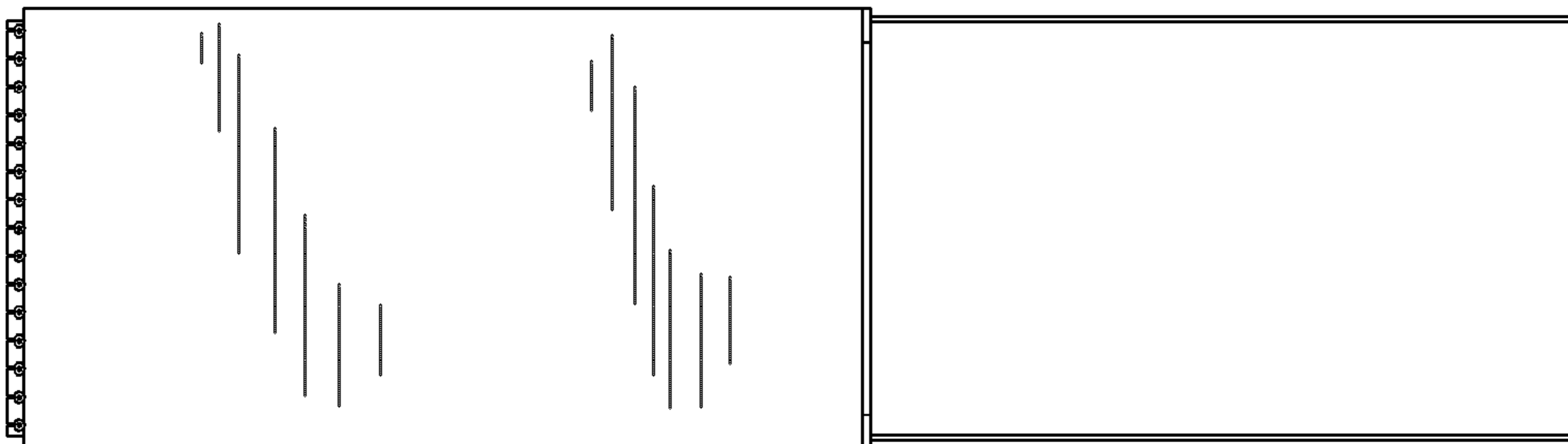


FIG. 8