



US00D694370S

(12) **United States Design Patent**
Wilcox

(10) **Patent No.:** **US D694,370 S**

(45) **Date of Patent:** **** Nov. 26, 2013**

(54) **PUMP CHECK VALVE**

(71) Applicant: **Steve Wilcox**, Arvada, CO (US)

(72) Inventor: **Steve Wilcox**, Arvada, CO (US)

(**) Term: **14 Years**

(21) Appl. No.: **29/421,823**

(22) Filed: **Sep. 28, 2012**

(51) **LOC (9) Cl.** **23-01**

(52) **U.S. Cl.**
USPC **D23/245**

(58) **Field of Classification Search**
USPC D23/233–237, 244–249, 259–269, 310;

137/398, 545, 547, 549; 251/62, 63.5,
251/129.01, 129.1, 129.16–129.18, 205,
251/208, 215, 309–312, 904

See application file for complete search history.

(56) **References Cited**

U.S. PATENT DOCUMENTS

D318,903 S *	8/1991	Lenberg	D23/245
D354,335 S	1/1995	Siposs	
D400,970 S *	11/1998	Voo	D23/245
D426,617 S	6/2000	Hansen	
D430,272 S *	8/2000	Hung-Lin	D23/245
D430,922 S *	9/2000	Hung-Lin	D23/245
D444,723 S *	7/2001	Honma	D10/85
D470,222 S *	2/2003	Nortier	D23/233
6,540,205 B1 *	4/2003	Stafford	251/215
D486,204 S *	2/2004	Tripp et al.	D23/245
6,824,118 B1 *	11/2004	Stafford	251/205
D505,184 S *	5/2005	Trappa	D23/245
D526,387 S *	8/2006	Bonomi	D23/236
D536,443 S	2/2007	Latsos	

D542,382 S *	5/2007	Cook et al.	D23/233
7,458,391 B2	12/2008	Krishnamoorthy et al.	
D594,530 S	6/2009	Bonnell	
D602,564 S	10/2009	Nimberger	
D602,565 S *	10/2009	Nimberger	D23/233
D606,167 S *	12/2009	Nimberger	D23/233
D607,538 S *	1/2010	Nun	D23/233
D623,723 S	9/2010	Nimberger	
D624,157 S	9/2010	Nimberger	
D624,628 S *	9/2010	Haynes	D23/233
D632,362 S *	2/2011	Ito et al.	D23/233
D638,915 S *	5/2011	Cardno et al.	D23/233
D647,596 S	10/2011	Bonnell	
D667,082 S *	9/2012	Fukushima	D23/235
D667,930 S *	9/2012	Yamada	D23/235
D681,171 S *	4/2013	Yamamoto	D23/245
D686,699 S *	7/2013	Evans et al.	D23/233
D687,930 S *	8/2013	Sacchetti	D23/235
2007/0012367 A1 *	1/2007	Hotz et al.	137/556.3

* cited by examiner

Primary Examiner — Cynthia Ramirez

(74) *Attorney, Agent, or Firm* — Randal Homburg

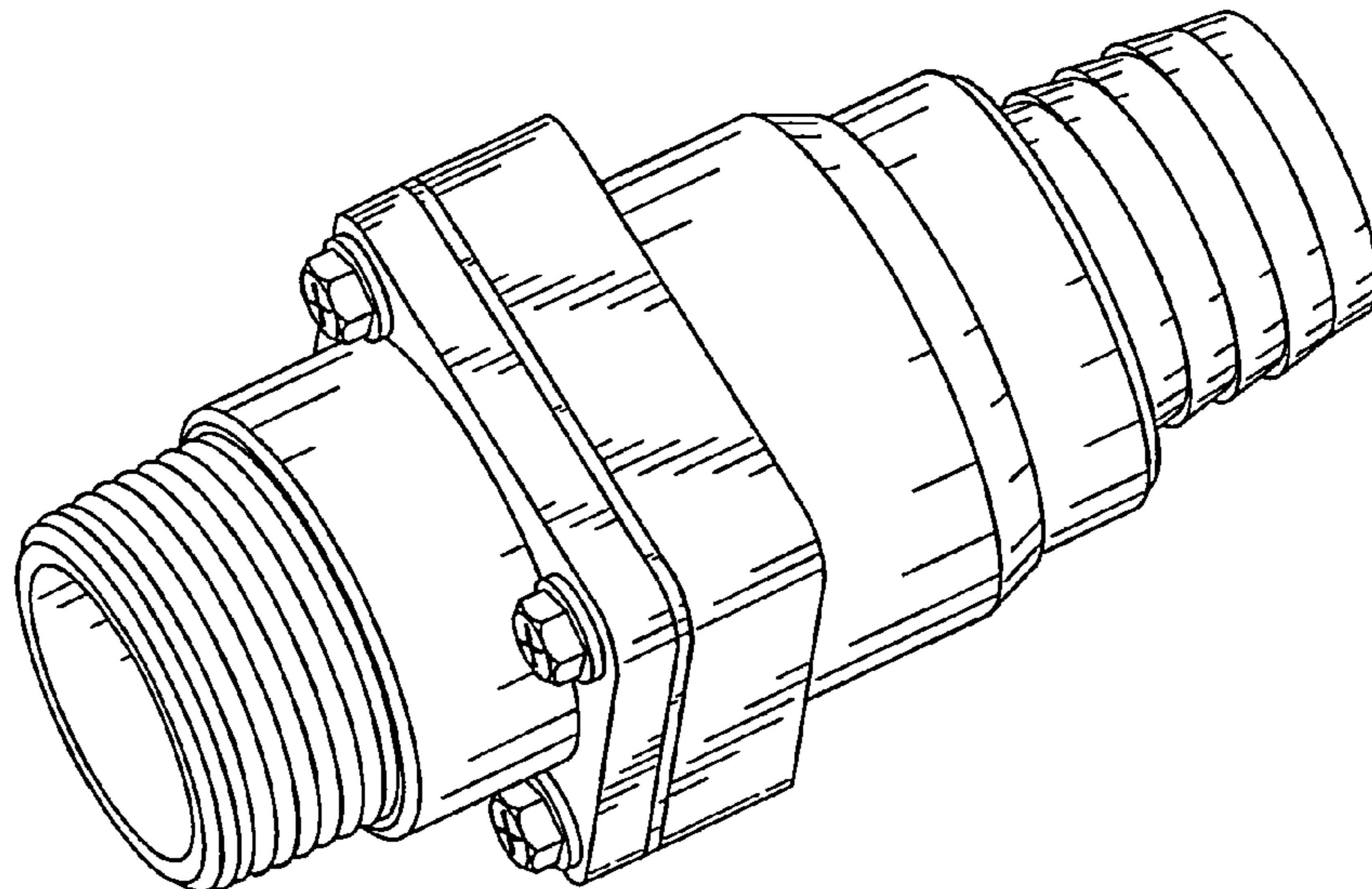
(57) **CLAIM**

The ornamental design for a pump check valve, as shown and described.

DESCRIPTION

FIG. 1 is a perspective view of the pump check valve.
FIG. 2 is a bottom end view of the pump check valve.
FIG. 3 is a top end view of the pump check valve.
FIG. 4 is a right side view of the pump check valve.
FIG. 5 is a left side view of the pump check valve.
FIG. 6 is a front side view of the pump check valve; and,
FIG. 7 is a rear side view of the pump check valve.

1 Claim, 3 Drawing Sheets



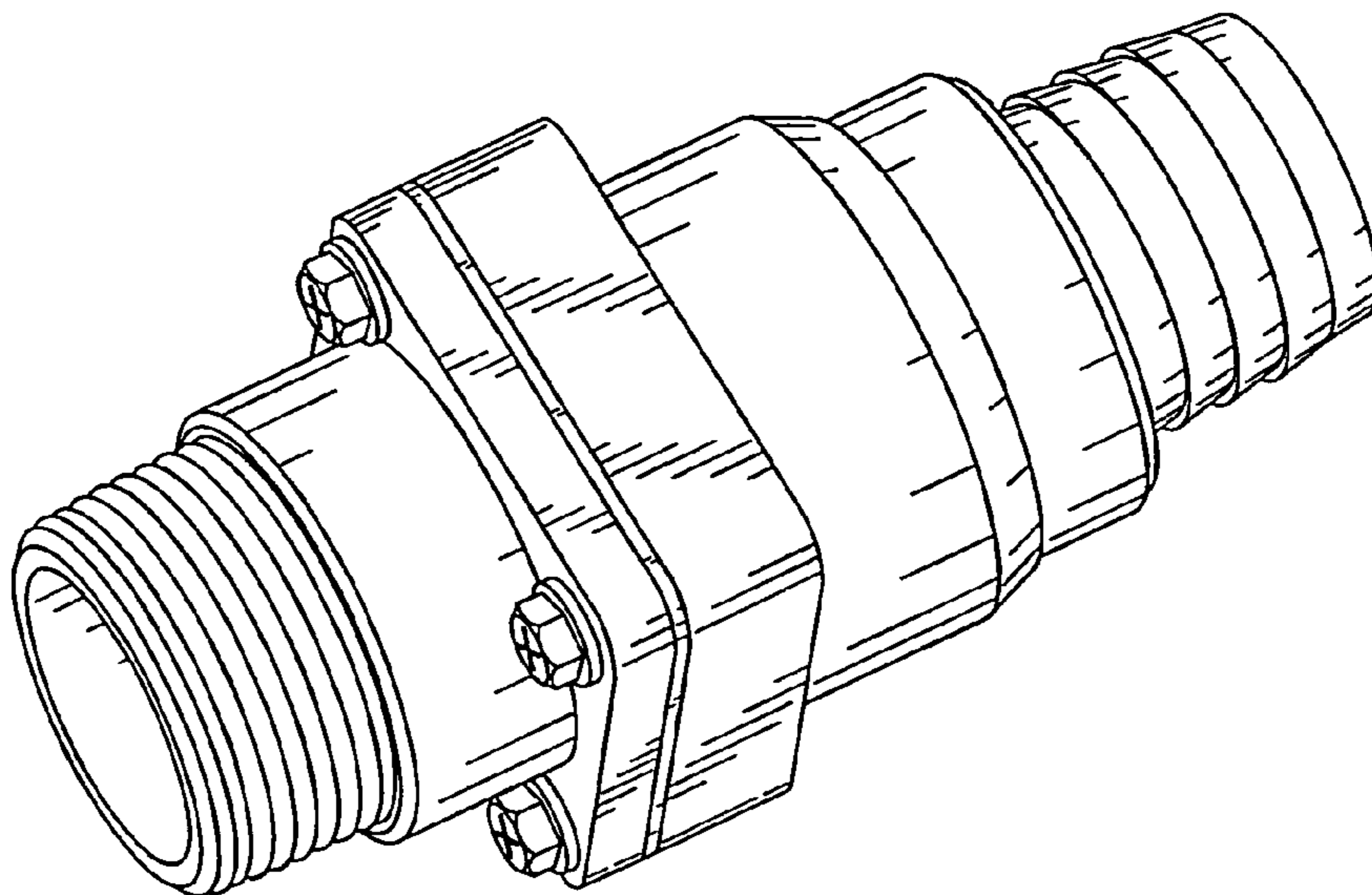


FIG. 1

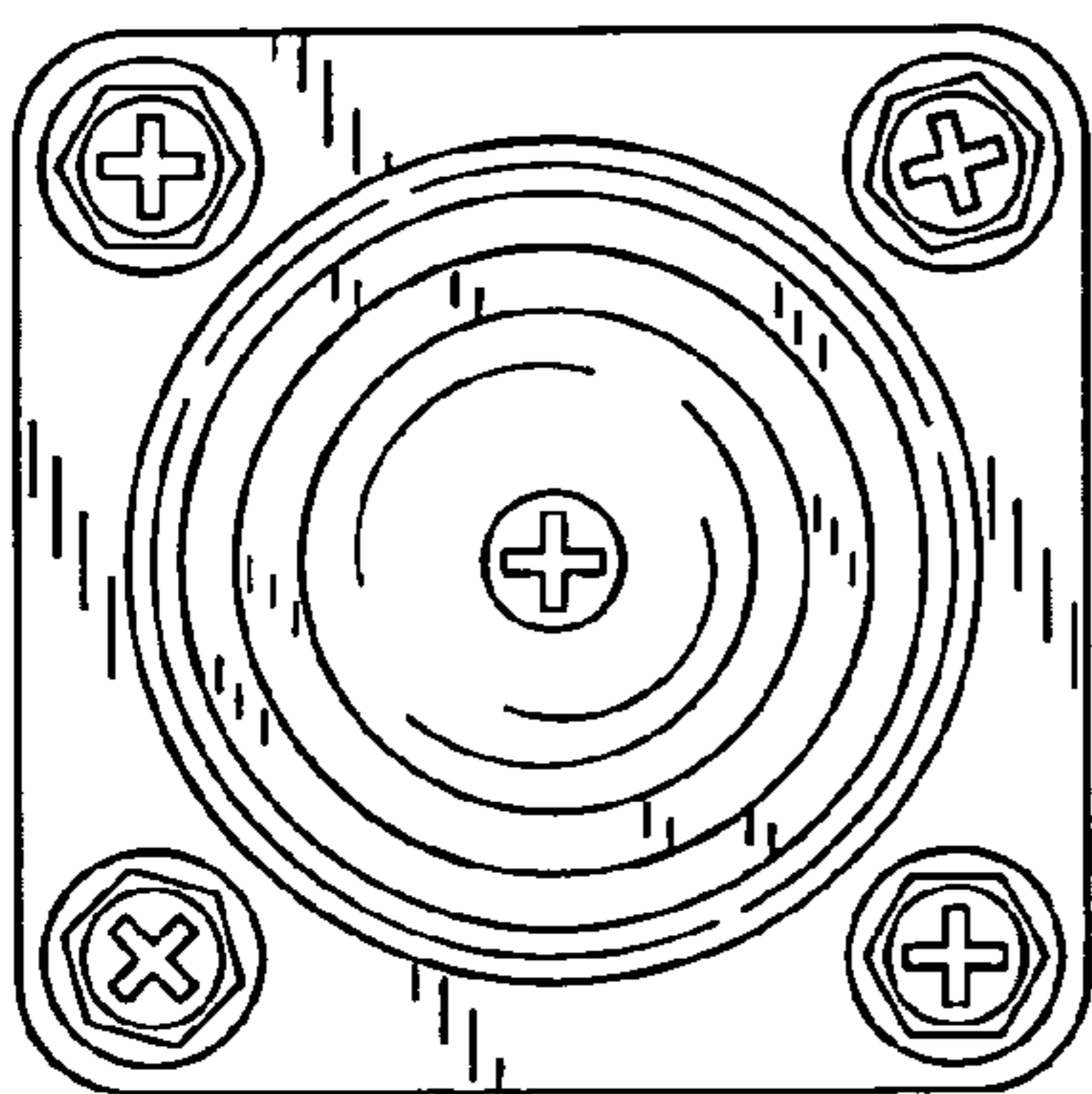


FIG. 2

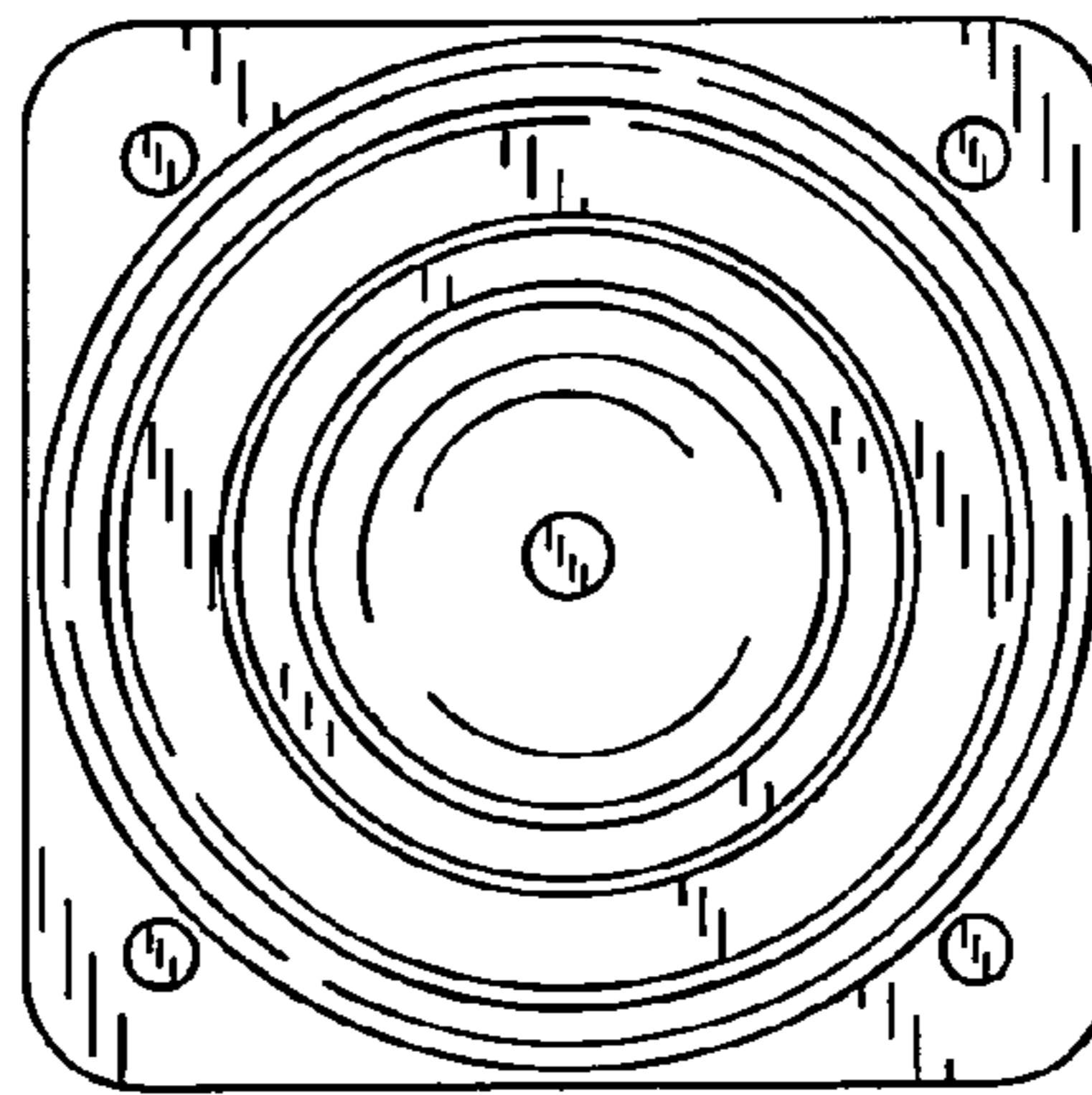


FIG. 3

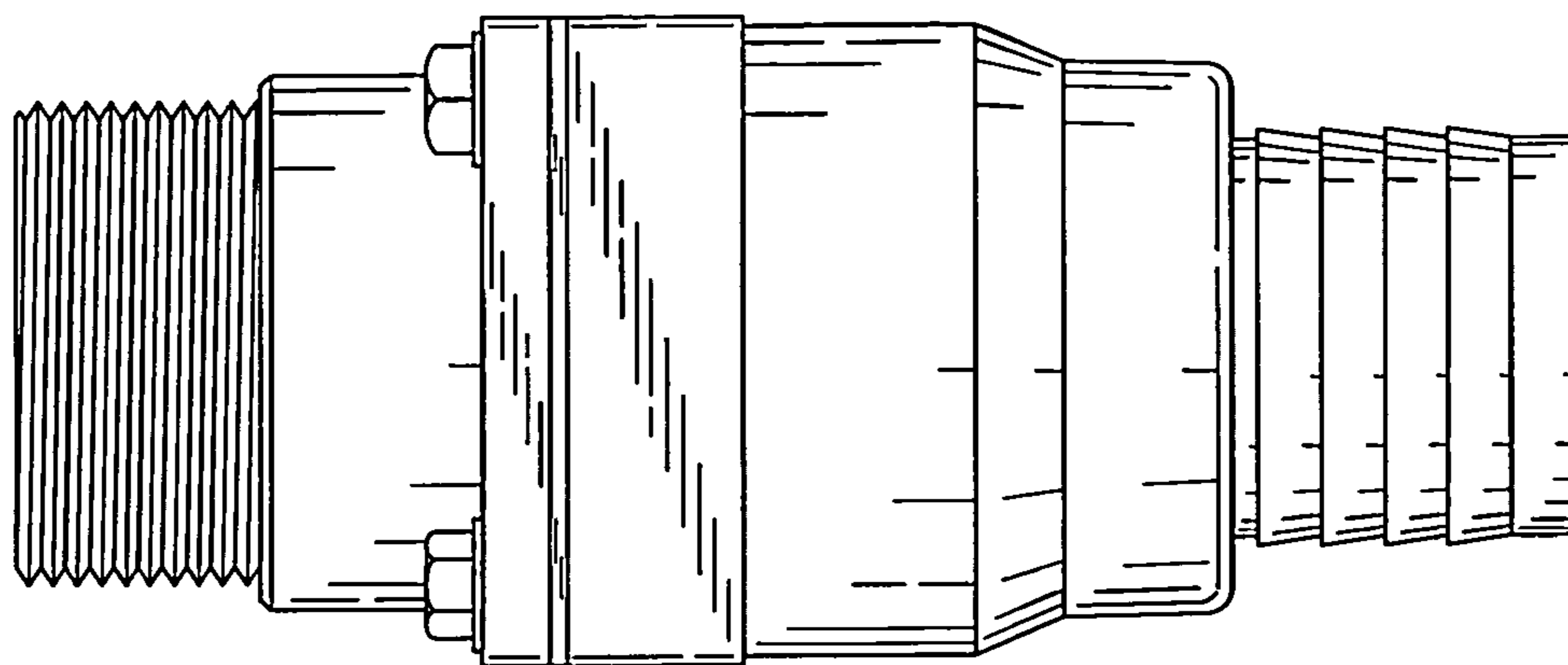


FIG. 4

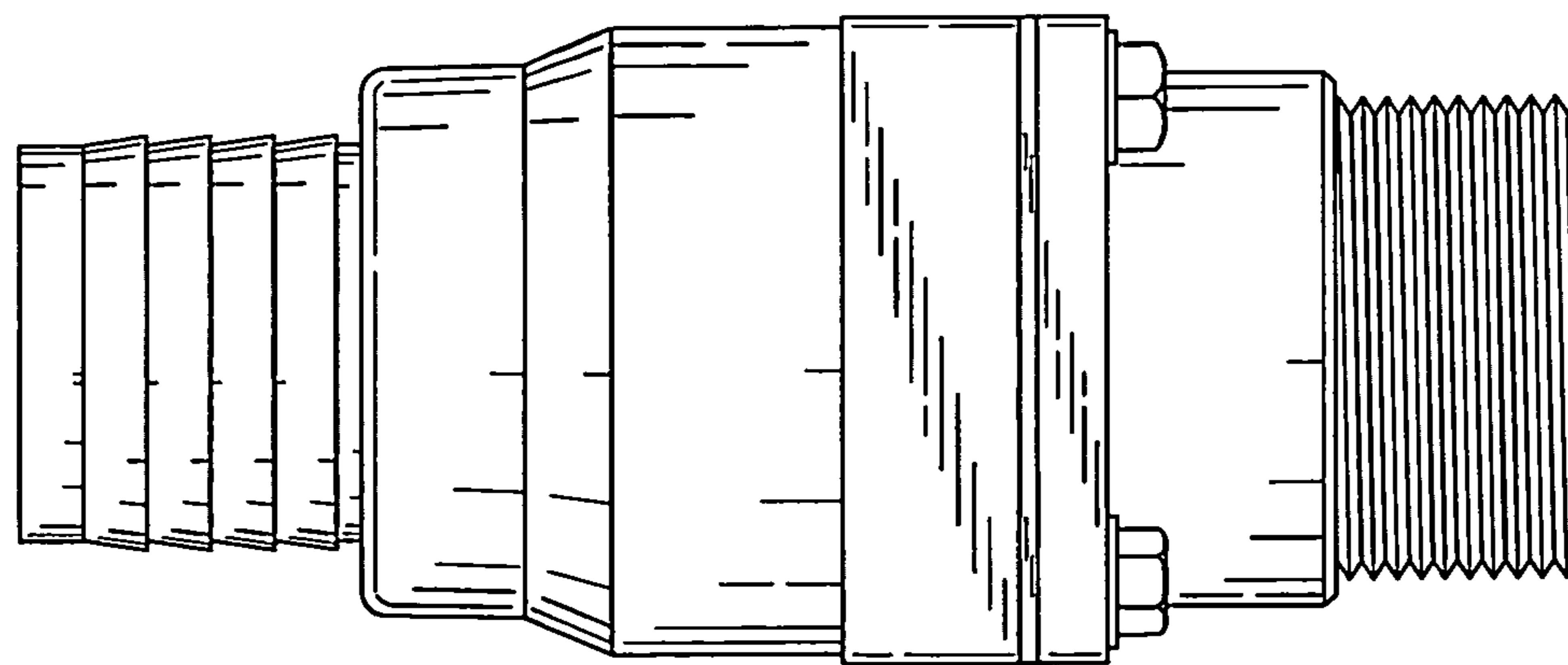


FIG. 5

