



US00D694369S

(12) **United States Design Patent**
Mendoza et al.

(10) **Patent No.:** **US D694,369 S**

(45) **Date of Patent:** **** Nov. 26, 2013**

(54) **FAUCET AND HANDLE SET**

D524,417 S * 7/2006 Kulig D23/238
D529,991 S * 10/2006 Egli et al. D23/238
D532,085 S * 11/2006 Svendsen et al. D23/241

(71) Applicant: **TOTO, Ltd.**, Kitakyushu (JP)

* cited by examiner

(72) Inventors: **Lea Mari Mendoza**, Morrow, GA (US);
Steven Chen, Morrow, GA (US);
Mitsuya Obara, Morrow, GA (US)

Primary Examiner — Robert Delehanty

(74) *Attorney, Agent, or Firm* — Banner & Witcoff, Ltd.

(73) Assignee: **TOTO Ltd.** (JP)

(**) Term: **14 Years**

(57) **CLAIM**

The ornamental design for a faucet and handle set, as shown and described.

(21) Appl. No.: **29/451,287**

(22) Filed: **Mar. 29, 2013**

DESCRIPTION

(51) **LOC (9) Cl.** **23-01**

(52) **U.S. Cl.**
USPC **D23/242**

(58) **Field of Classification Search**
USPC D23/238, 241–243, 250, 252, 255, 257;
4/675–678; 138/801
See application file for complete search history.

FIG. 1 is a perspective view of front, top and right side of a faucet and handle set showing our new design;
FIG. 2 is a front view thereof;
FIG. 3 is a rear view thereof;
FIG. 4 is a right side view thereof; the left side view being a mirror image of the right side;
FIG. 5 is a top view thereof; and,
FIG. 6 is a bottom view thereof.
The broken lines shown are included for the purpose of illustrating the unclaimed portions of a faucet and handle set and form no part of the claimed design.

(56) **References Cited**

U.S. PATENT DOCUMENTS

D511,564 S * 11/2005 Berman D23/241
D516,675 S * 3/2006 Kakihana D23/241

1 Claim, 6 Drawing Sheets

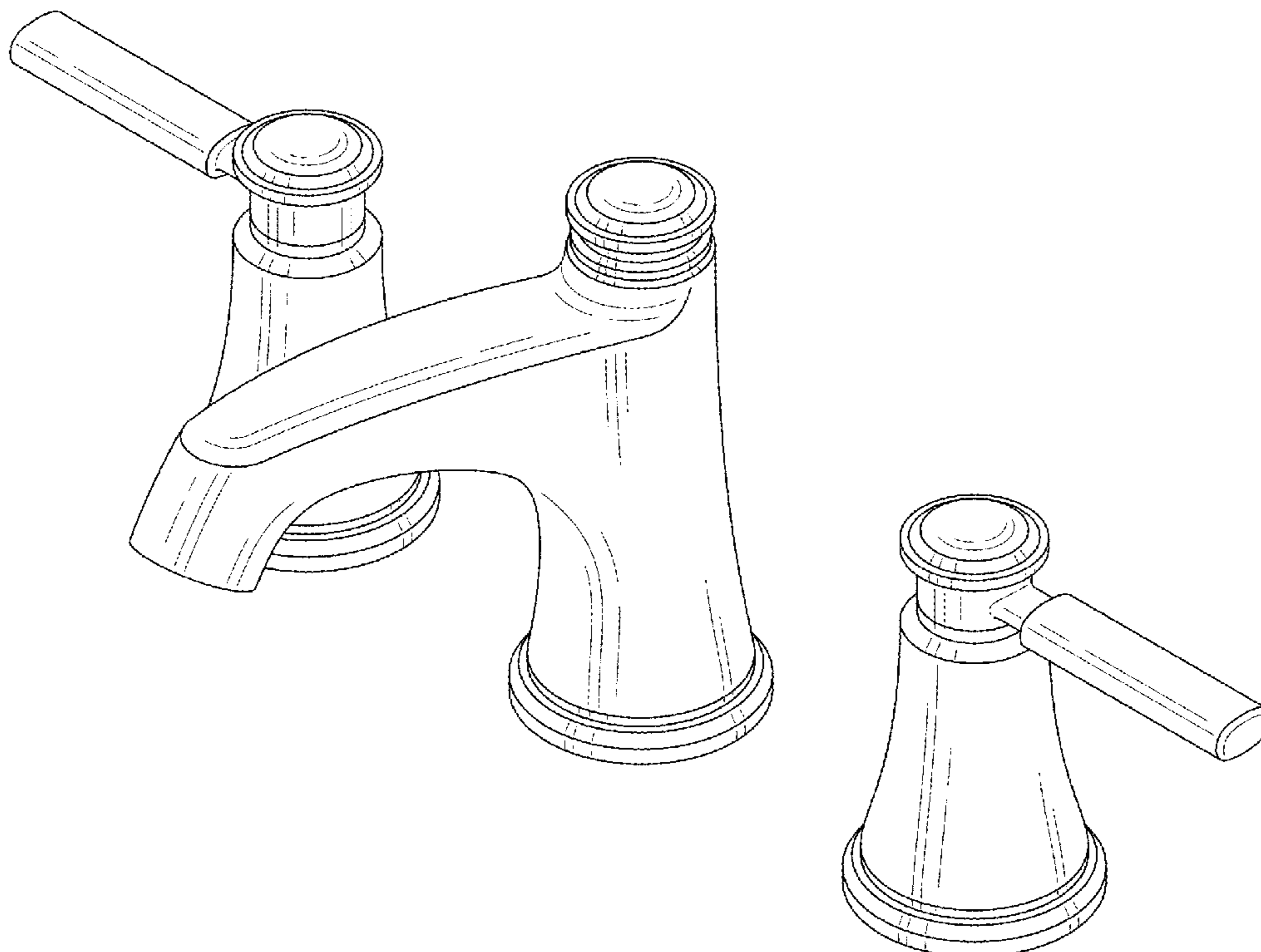


Fig. 1

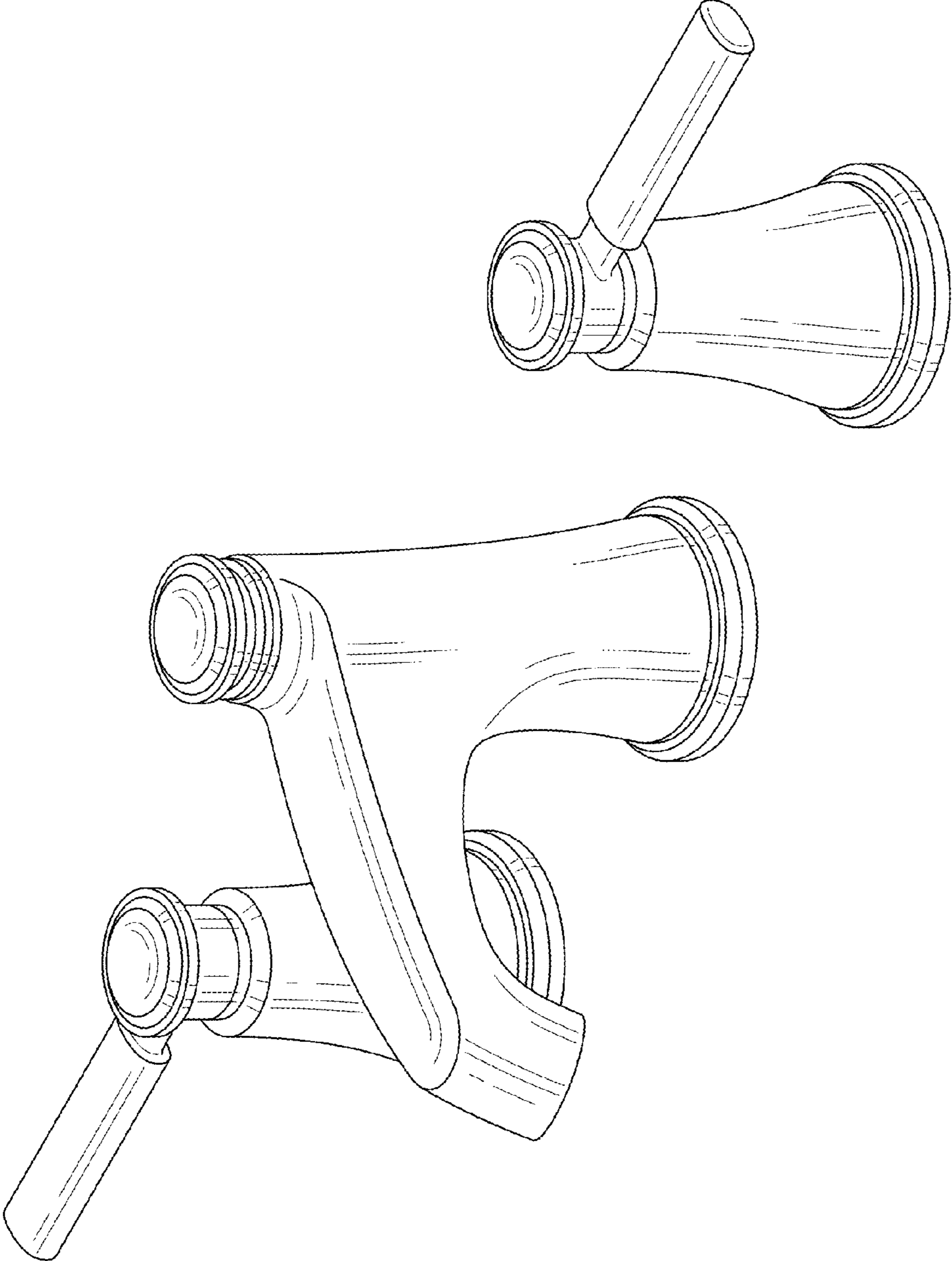


Fig. 2

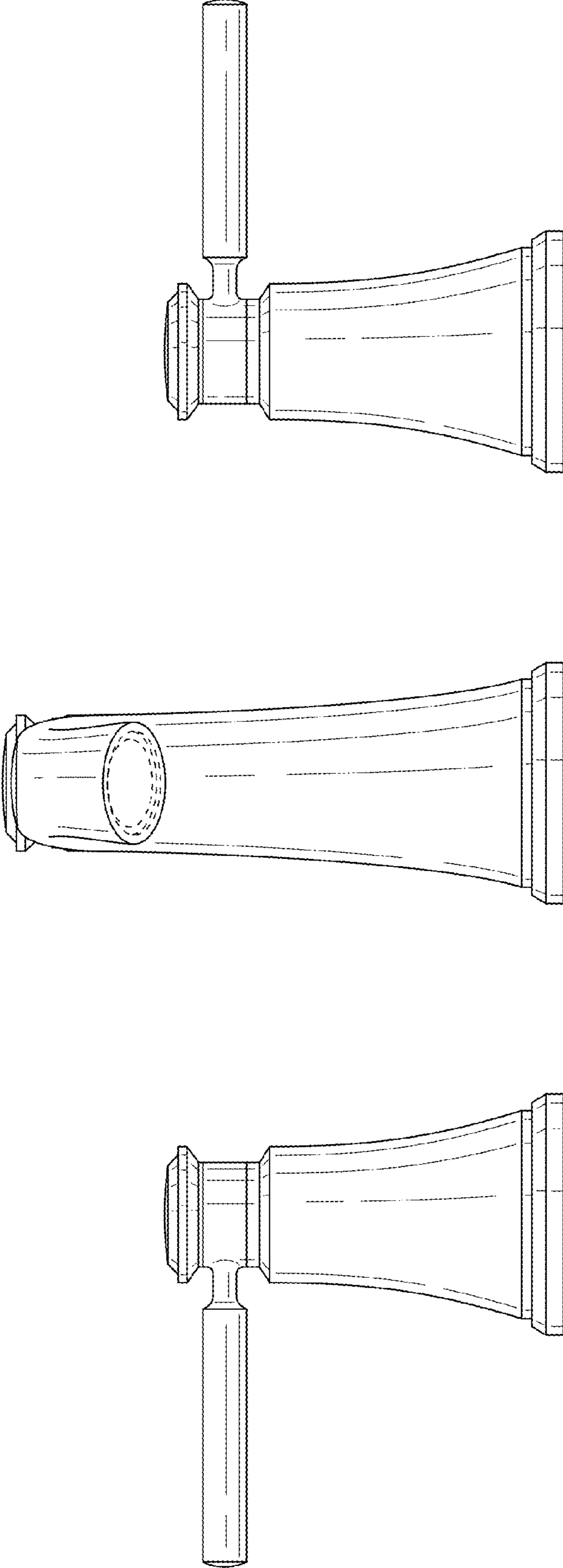
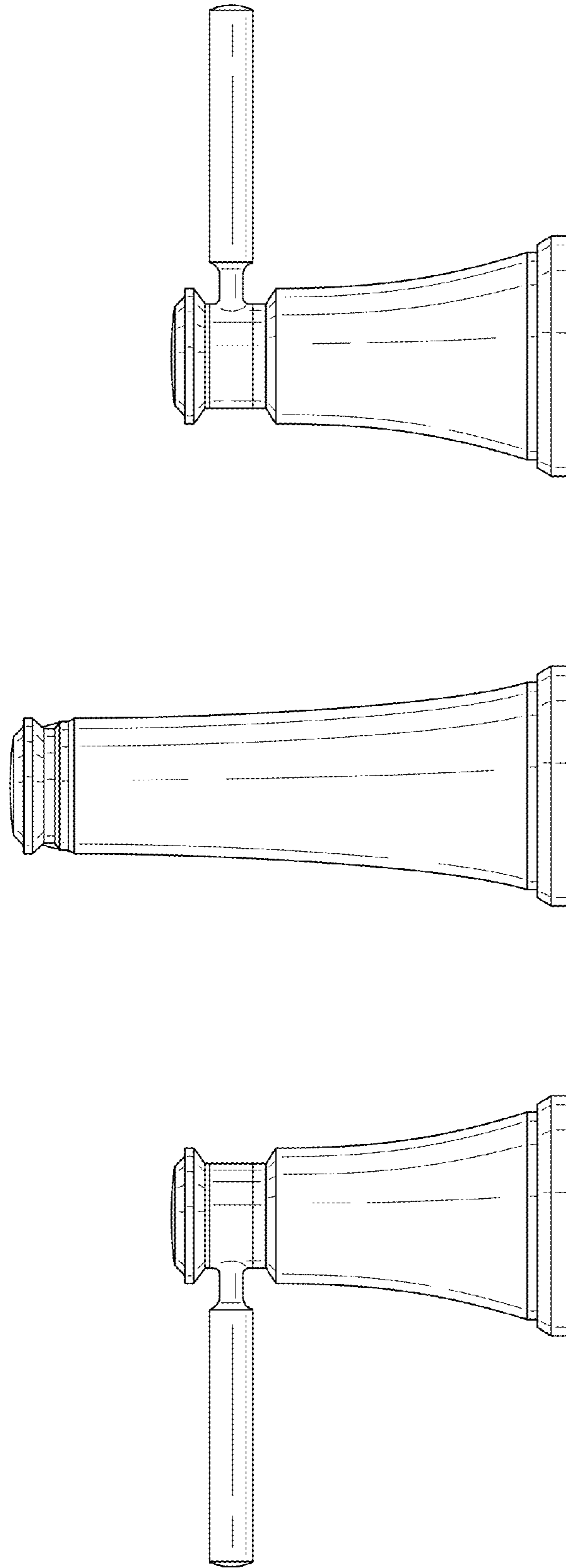


Fig. 3



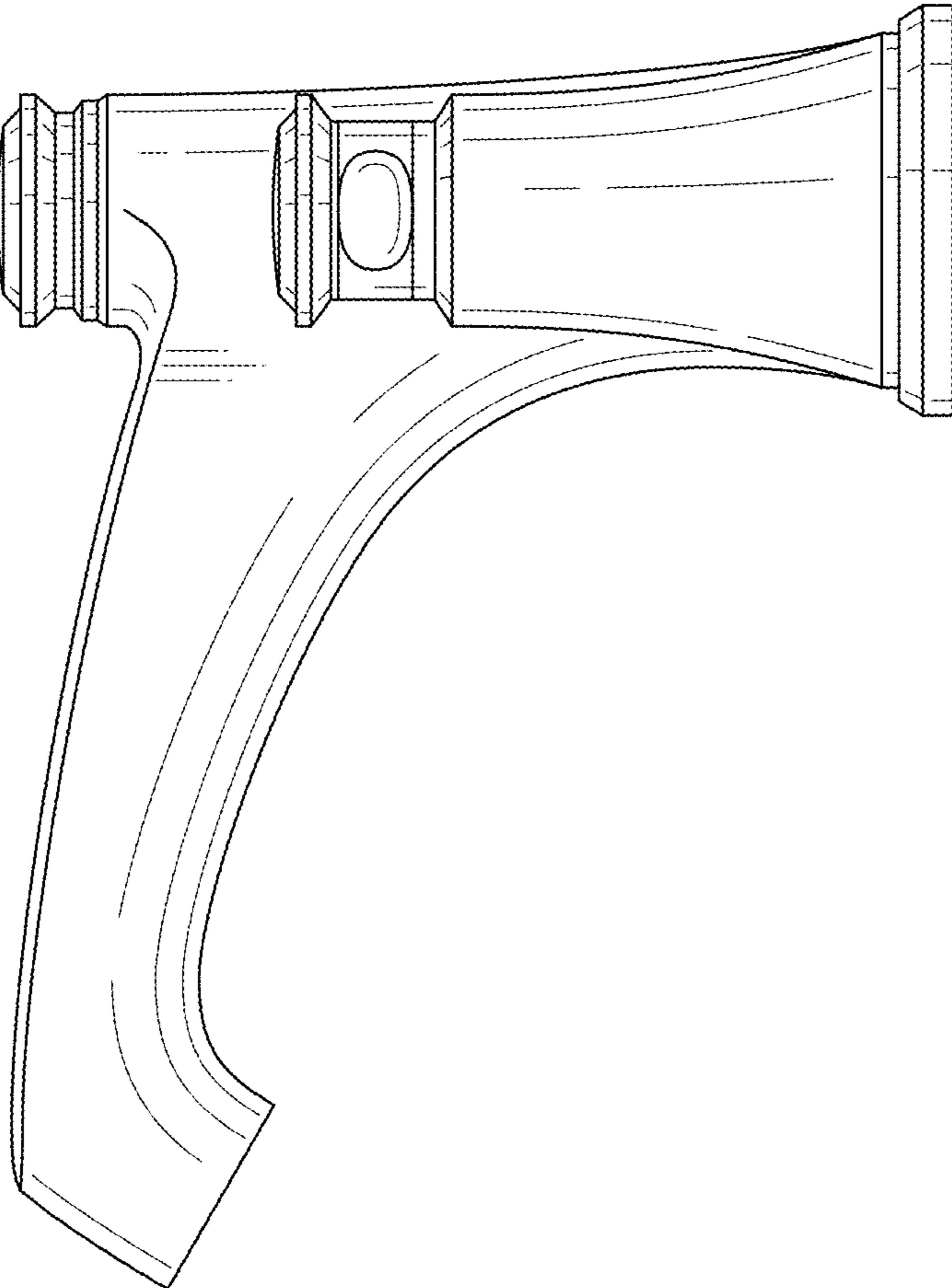


Fig. 4

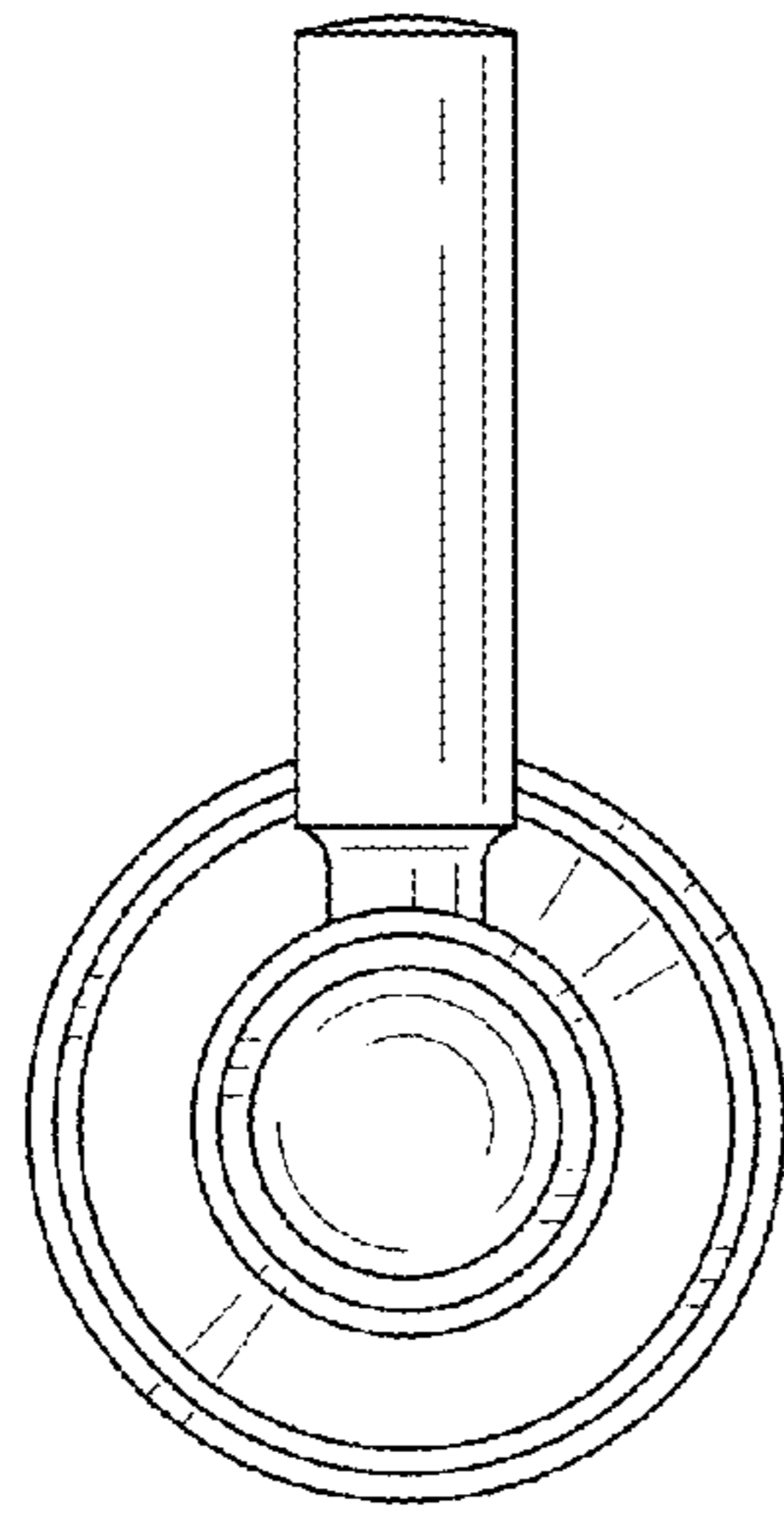


Fig. 5

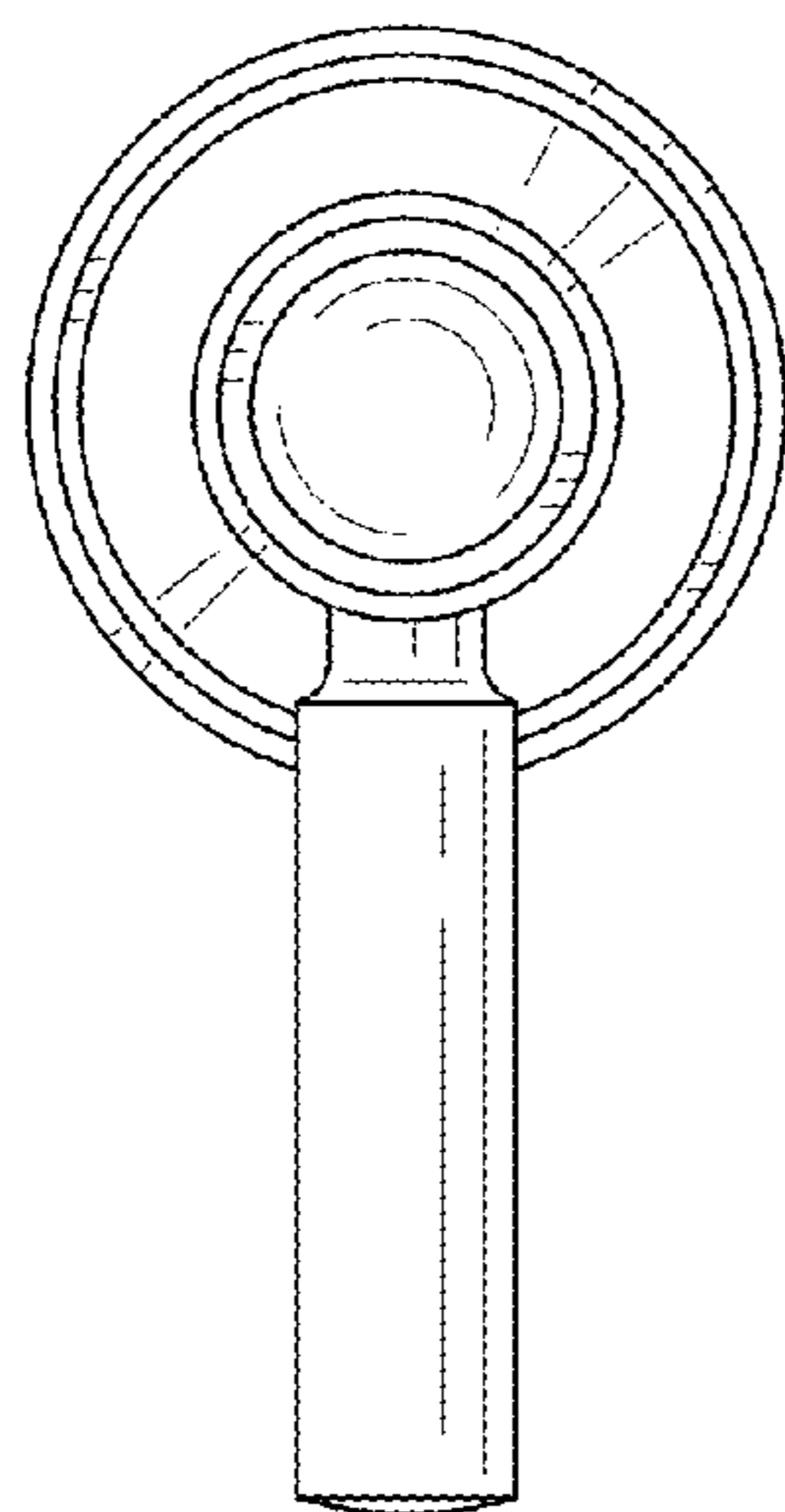
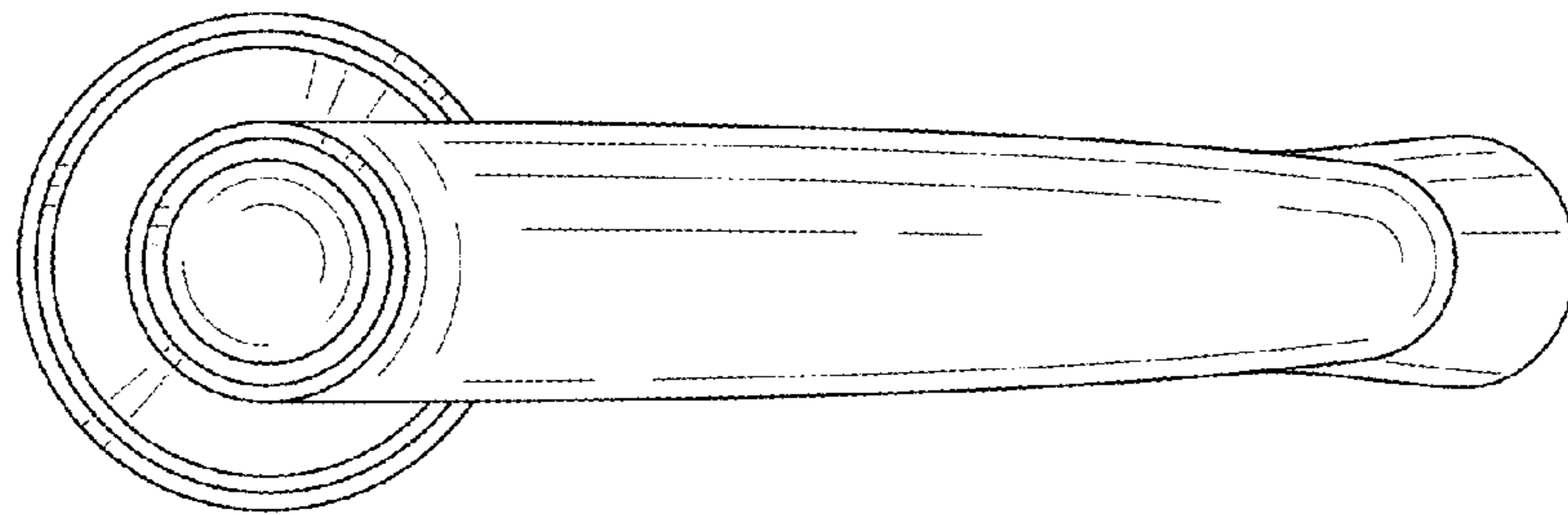


Fig. 6

