

US00D694362S

(12) **United States Design Patent**  
**Kaneko**

(10) **Patent No.:** **US D694,362 S**

(45) **Date of Patent:** **\*\* Nov. 26, 2013**

(54) **EXPANSION VALVE**

FOREIGN PATENT DOCUMENTS

(75) Inventor: **Takeshi Kaneko**, Tokyo (JP)

JP 1238723 3/2005  
JP 1249639 7/2005

(73) Assignee: **TGK Co., Ltd.**, Tokyo (JP)

OTHER PUBLICATIONS

(\*\*) Term: **14 Years**

Applicant, Morishita et al., "Notification of Reason(s) for Refusal", from JPO, Dispatch Dec. 18, 2012. Design App. 2012-002812, pp. 1-3, English translated version, pp. 1-3 Japanese version.  
Kazuto Kobayashi et al., Certificate of Registration, Sep. 16, 2011, OHIM—Office for Harmonization in the Internal Market, ECD 001918814-0004.

(21) Appl. No.: **29/427,730**

(22) Filed: **Jul. 20, 2012**

(30) **Foreign Application Priority Data**

Feb. 10, 2012 (JP) ..... 2012-002812

\* cited by examiner

(51) **LOC (9) Cl.** ..... **23-01**

*Primary Examiner* — Cynthia Ramirez

(52) **U.S. Cl.**  
USPC ..... **D23/233**

(74) *Attorney, Agent, or Firm* — Martine Penilla Group, LLP

(58) **Field of Classification Search**  
USPC ..... D23/233–237, 244–249; 62/222–225,  
62/197, 115, 504, 527, 210; 137/625.48;  
251/14, 64; 236/63, 64, 66, 92 B;  
285/189, 208, 211, 368

(57) **CLAIM**

The ornamental design for an expansion valve, as shown and described.

See application file for complete search history.

**DESCRIPTION**

FIG. 1 is a front view of an expansion valve showing our new design;  
FIG. 2 is a rear view thereof;  
FIG. 3 is a top view thereof;  
FIG. 4 is a bottom view thereof;  
FIG. 5 is a left side view thereof;  
FIG. 6 is a right side view thereof;  
FIG. 7 is a front perspective view thereof; and,  
FIG. 8 is a rear perspective view thereof.

The broken lines are for the purpose of illustrating portions of the expansion valve and form no part of the claimed design.

(56) **References Cited**

U.S. PATENT DOCUMENTS

4,468,054	A *	8/1984	Orth	.....	285/124.3
D532,080	S	11/2006	Kobayashi et al.	.....	D23/233
D546,921	S *	7/2007	Kobayashi et al.	.....	D23/233
D589,118	S	3/2009	Watanabe	.....	D23/233
D602,560	S *	10/2009	Shimura et al.	.....	D23/233
D611,123	S *	3/2010	Matsumoto	.....	D23/233
D621,475	S *	8/2010	Matsumoto	.....	D23/233
D648,000	S *	11/2011	Shimura et al.	.....	D23/233
D648,419	S *	11/2011	Shimura et al.	.....	D23/233
D649,222	S *	11/2011	Kobayashi et al.	.....	D23/233

**1 Claim, 8 Drawing Sheets**

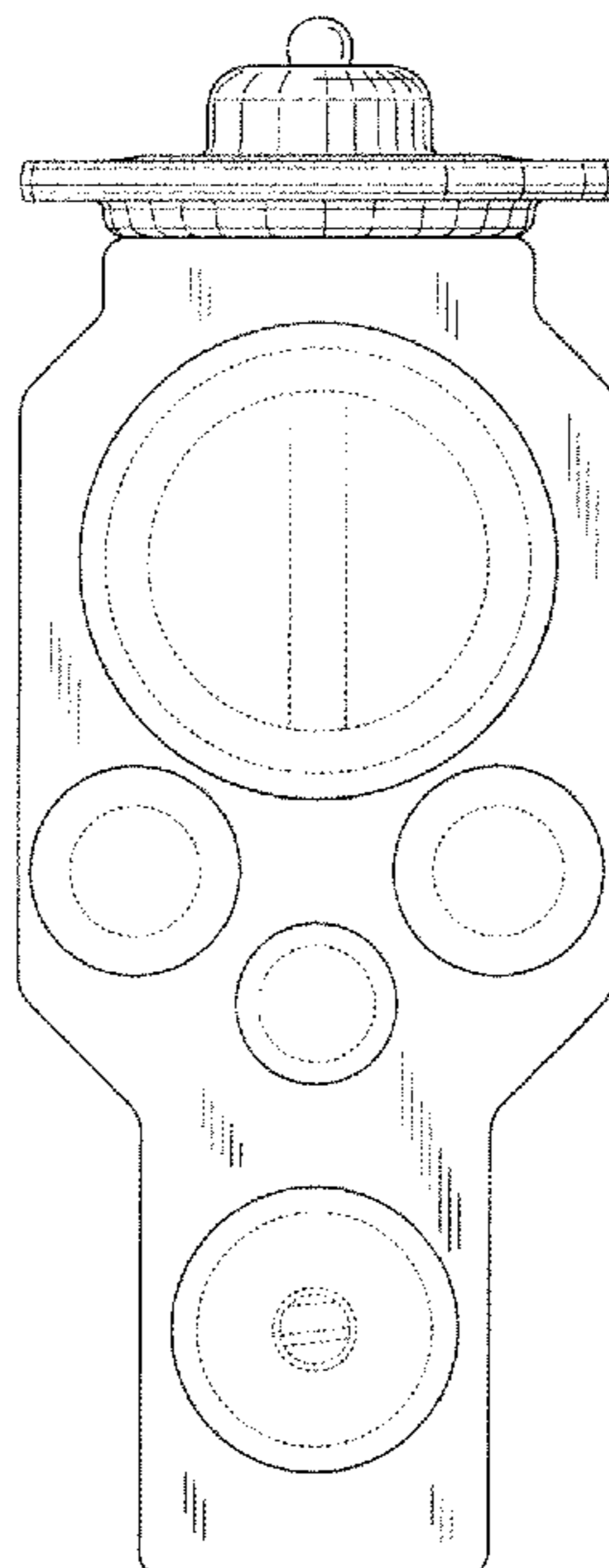


FIG. 1

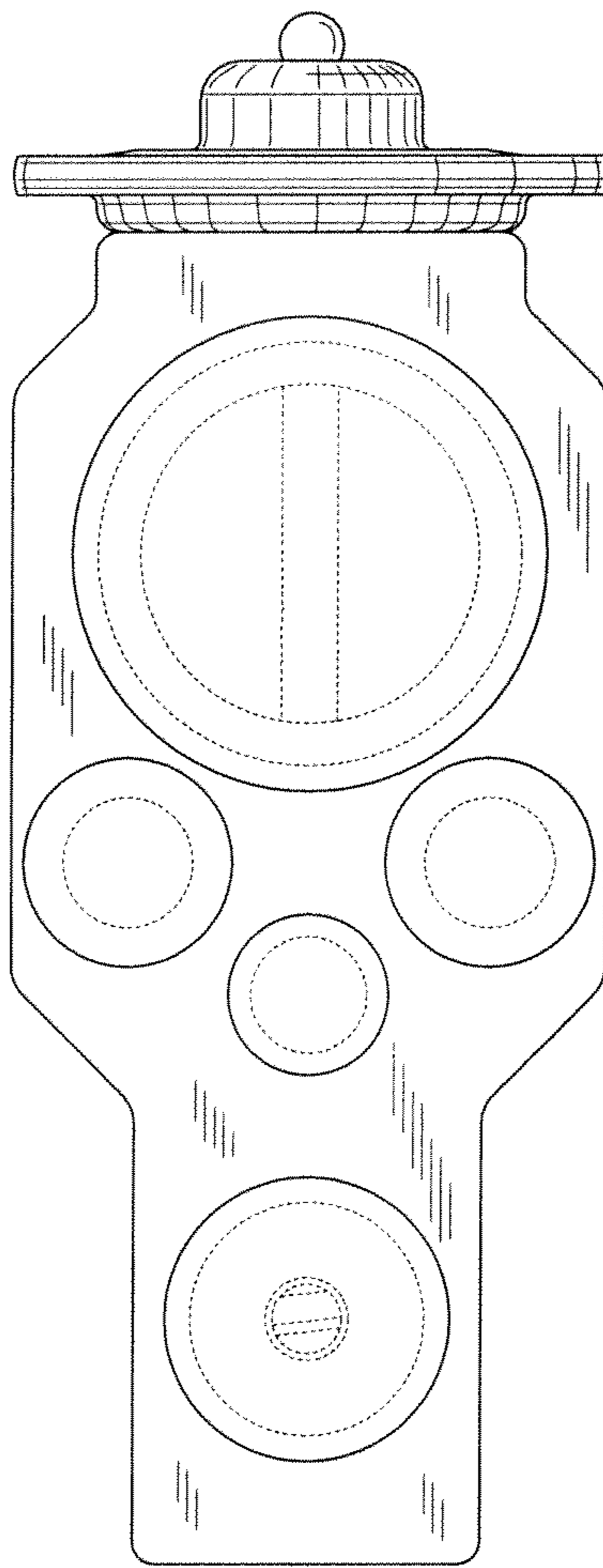


FIG. 2

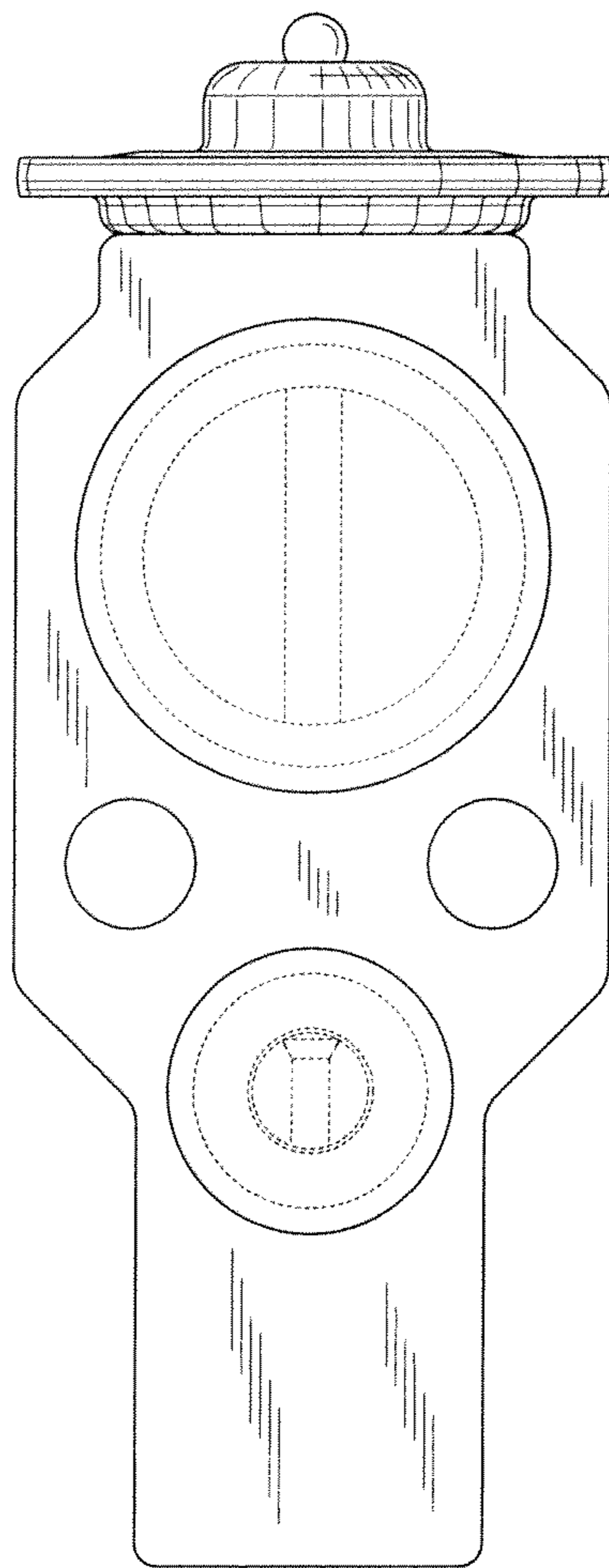


FIG. 3

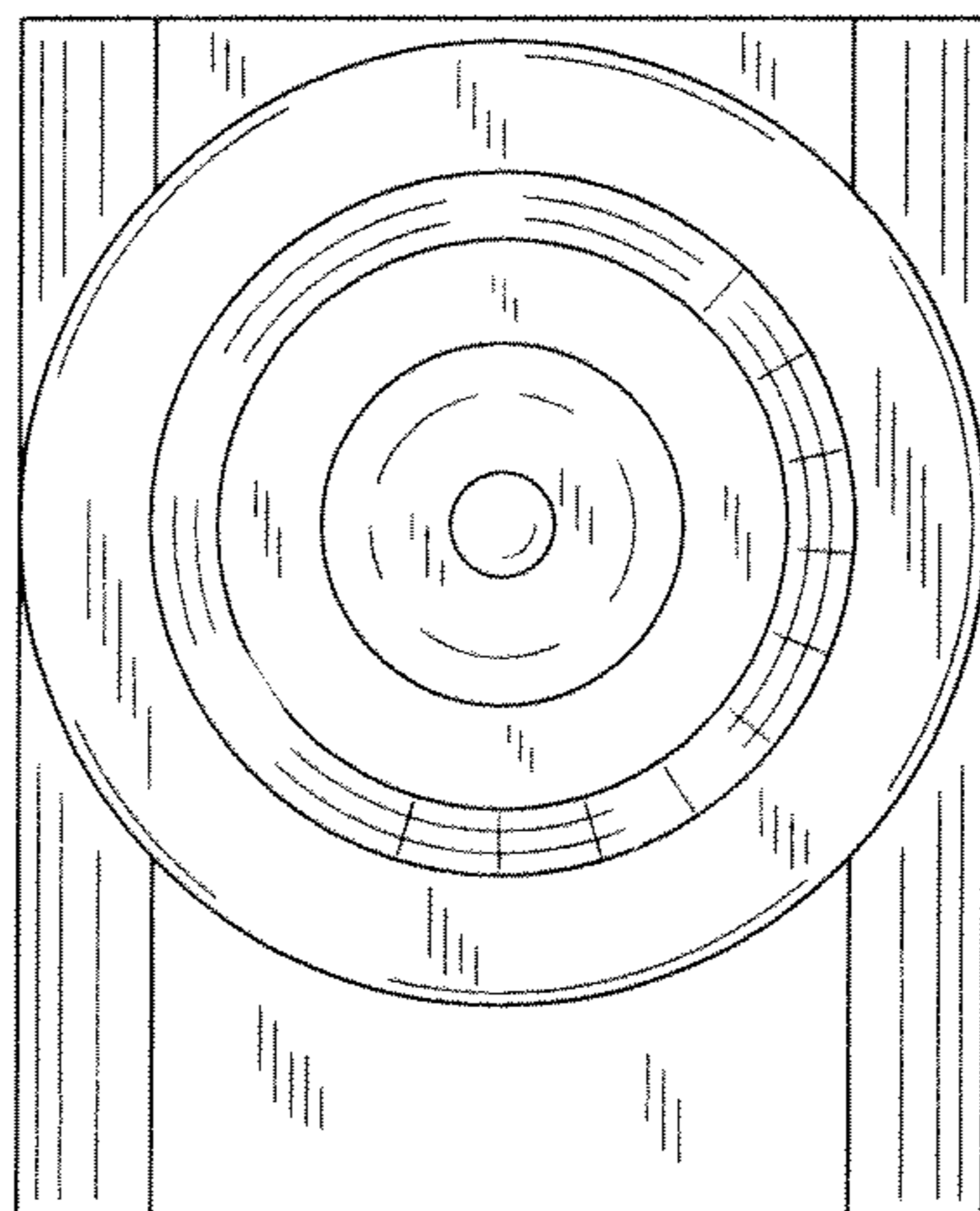


FIG. 4

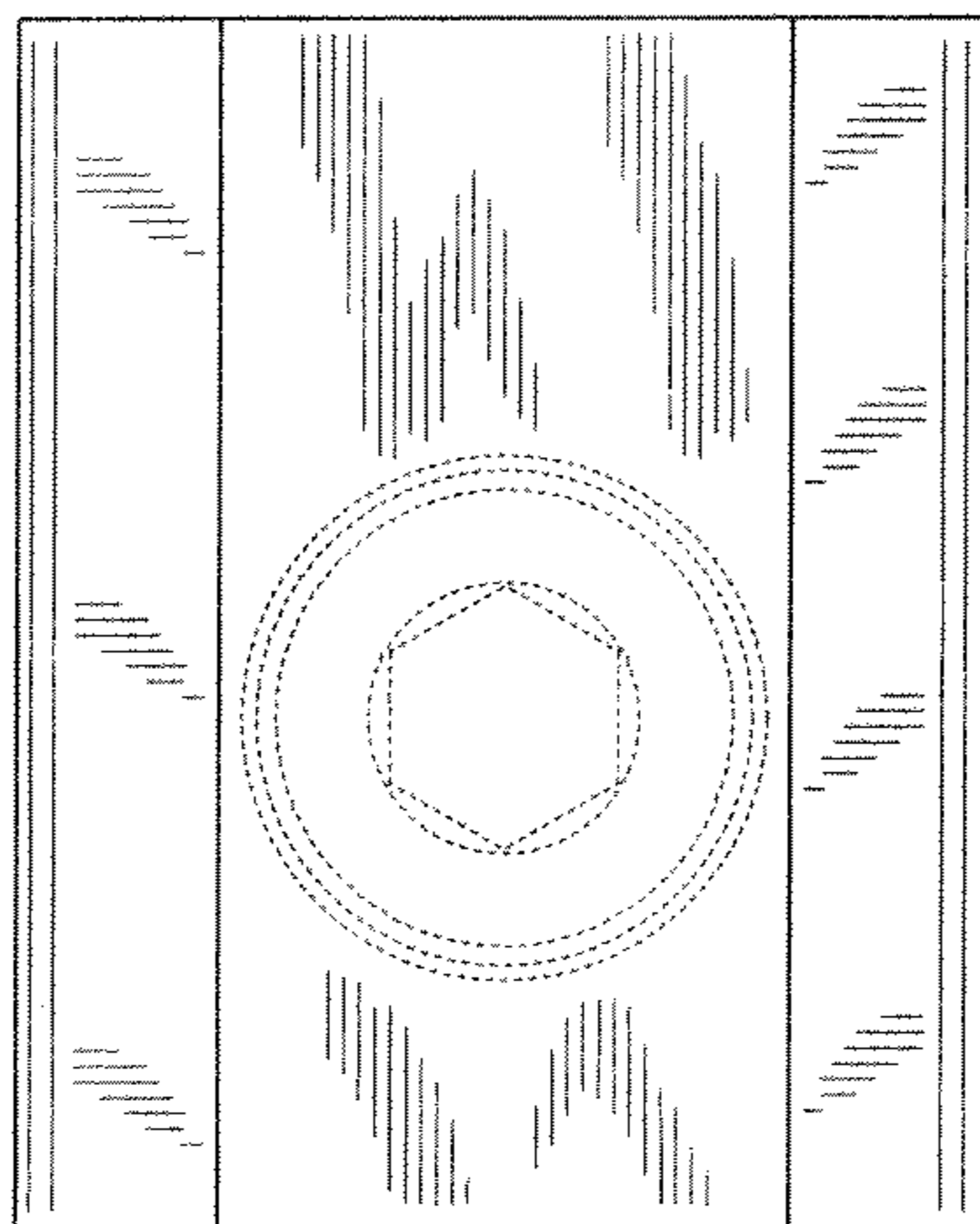


FIG. 5

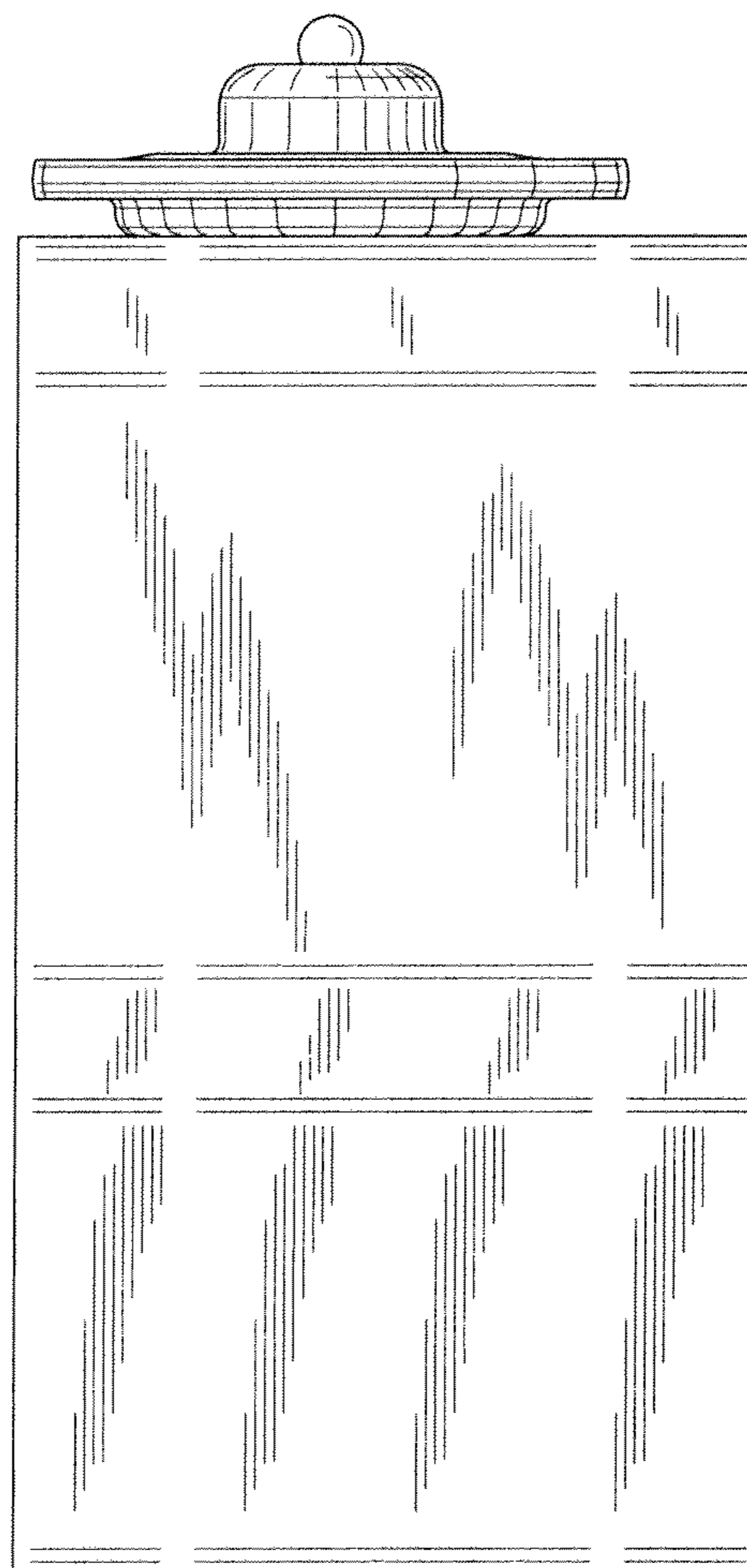


FIG. 6

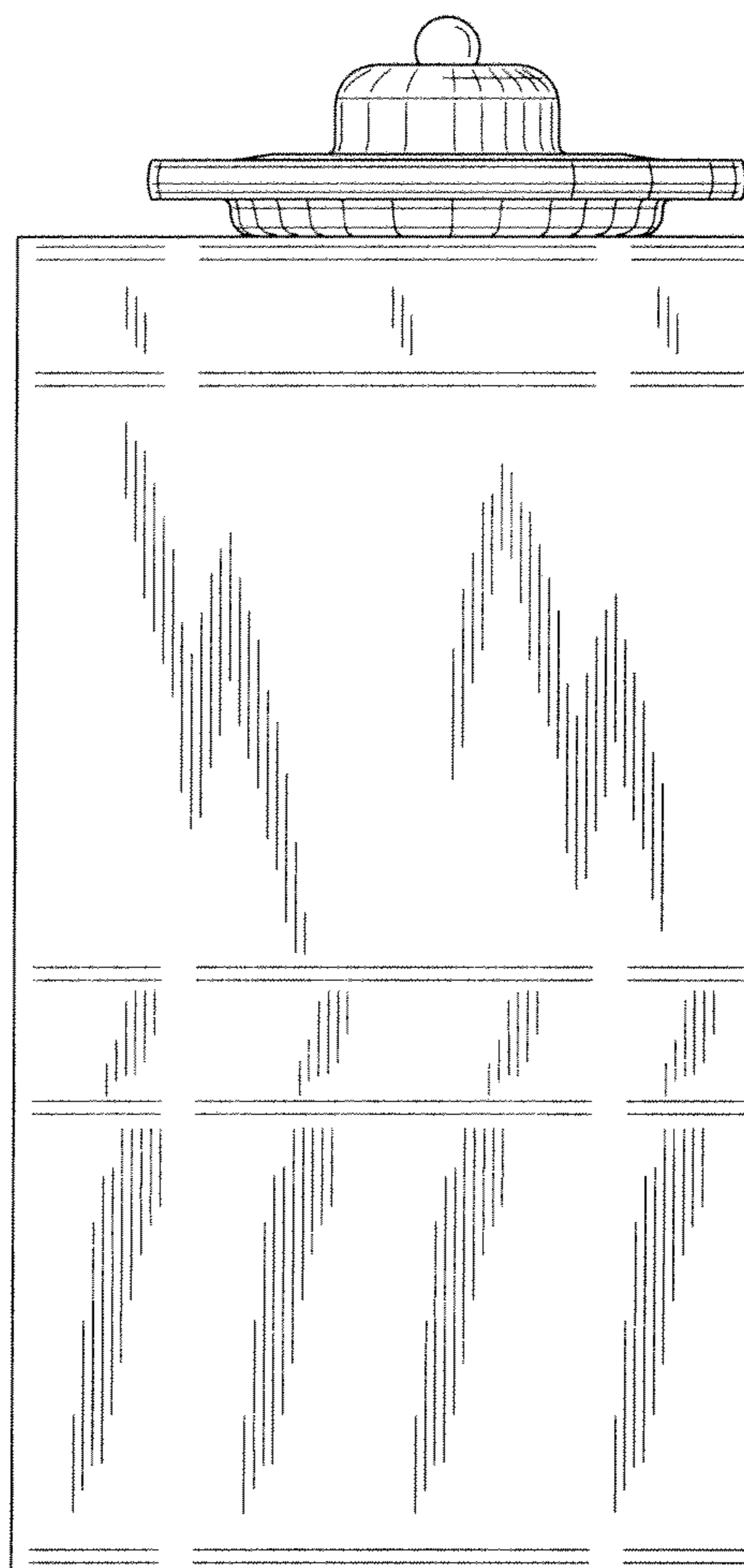


FIG. 7

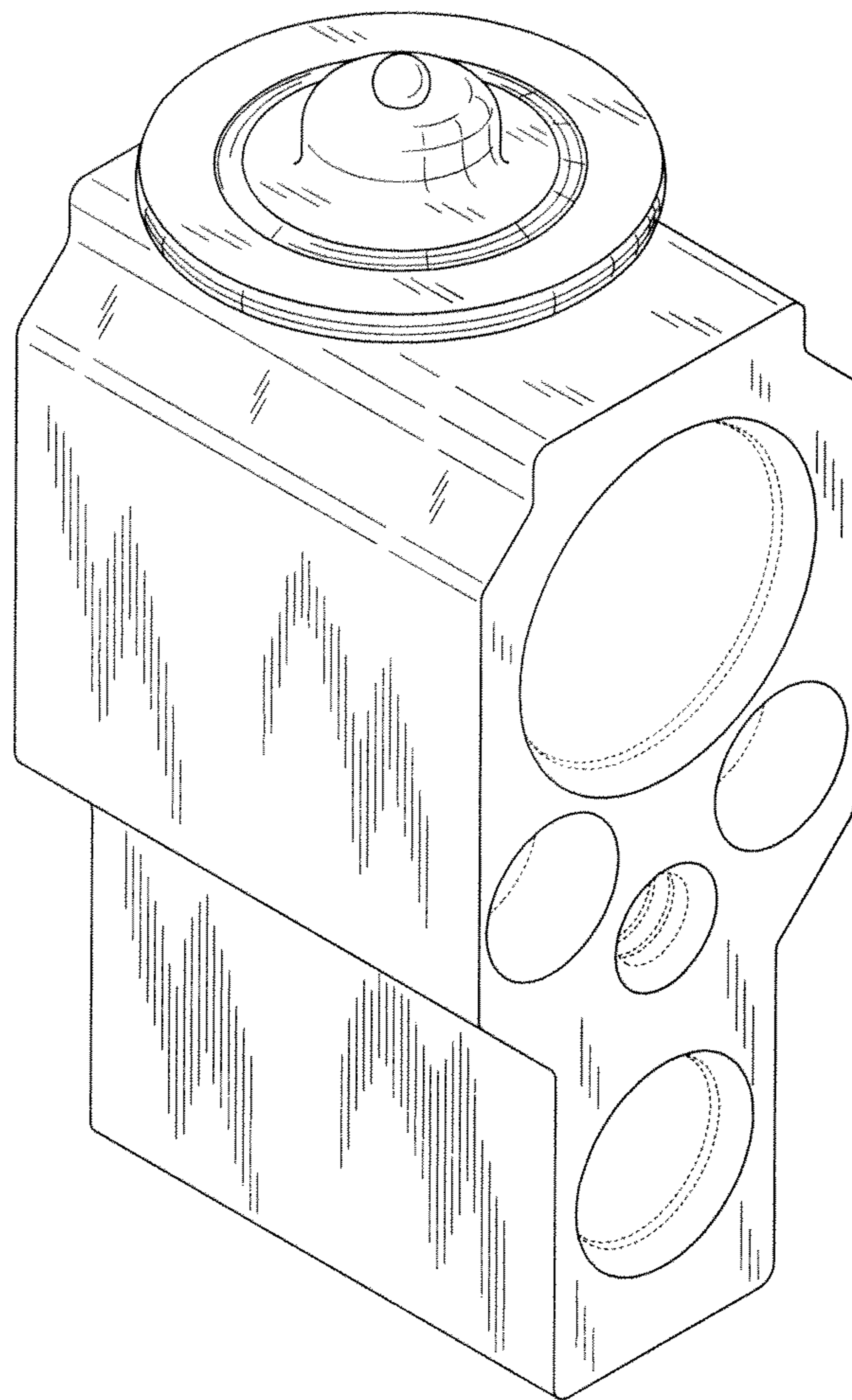




FIG. 8

