

US00D694361S

(12) **United States Design Patent**  
**Schoenherr et al.**

(10) **Patent No.:** **US D694,361 S**  
(45) **Date of Patent:** **\*\* Nov. 26, 2013**

(54) **HANDSHOWER**

FOREIGN PATENT DOCUMENTS

(71) Applicant: **Hansgrohe SE**, Schiltach (DE)  
(72) Inventors: **Tom Schoenherr**, Stuttgart (DE);  
**Matthias Oesterle**, Winterbach (DE)  
(73) Assignee: **Hansgrohe SE**, Schiltach (DE)

EM 000661491-0001 1/2007  
EM 000756341-0001 7/2007  
EM 000756341-0002 7/2007  
EM 001256937-0001 1/2011  
EM 001256937-0002 1/2011  
EM 001256937-0003 1/2011  
EM 001291603-0002 9/2011

(\*\*) Term: **14 Years**

OTHER PUBLICATIONS

(21) Appl. No.: **29/441,716**

Brochure—Bright Showers, 3 pgs., Xiamen Bright Showers Co., Ltd., Xiamen, China (at least as early as May 23, 2012).  
Brochure—Bossini High Quality Shower Systems, 3 pgs., Bossini spa, Castenedolo (Brescia), Italy (at least as early as Sep. 29, 2009).

(22) Filed: **Jan. 9, 2013**

(30) **Foreign Application Priority Data**

Jul. 11, 2012 (EM) ..... 001334486-0006

(51) **LOC (9) Cl.** ..... **23-01**

(52) **U.S. Cl.**  
USPC ..... **D23/223**

(58) **Field of Classification Search**  
USPC ..... D23/213, 223, 229, 230; 239/282, 283,  
239/556

See application file for complete search history.

\* cited by examiner

*Primary Examiner* — Robin V Webster

(74) *Attorney, Agent, or Firm* — Nirav D. Parikh

(57) **CLAIM**

The ornamental design for a handshower, as shown and described.

**DESCRIPTION**

(56) **References Cited**

U.S. PATENT DOCUMENTS

D497,974 S 11/2004 Haug et al.  
D511,809 S 11/2005 Haug et al.  
D513,525 S 1/2006 Haug et al.  
D590,916 S 4/2009 Schoenherr et al.  
D610,228 S \* 2/2010 Wu et al. .... D23/223  
D610,229 S \* 2/2010 Wu et al. .... D23/223  
D654,983 S \* 2/2012 Schoenherr et al. .... D23/223  
D654,984 S \* 2/2012 Schoenherr et al. .... D23/223  
D669,156 S 10/2012 Schoenherr et al.  
D672,011 S \* 12/2012 Andrew et al. .... D23/223  
D672,432 S \* 12/2012 Spangler ..... D23/213  
D681,776 S \* 5/2013 Cutler et al. .... D23/223

FIG. 1 is a perspective view of a handshower showing our design;

FIG. 2 is a front elevational view thereof;

FIG. 3 is a rear elevational view thereof;

FIG. 4 is a left side elevational view thereof;

FIG. 5 is a right side elevational view thereof;

FIG. 6 is a top plan view thereof; and,

FIG. 7 is a bottom plan view thereof.

The broken-line disclosure in the views represents portions of the article in which the claimed design is embodied, but which form no part of the claimed design.

**1 Claim, 7 Drawing Sheets**

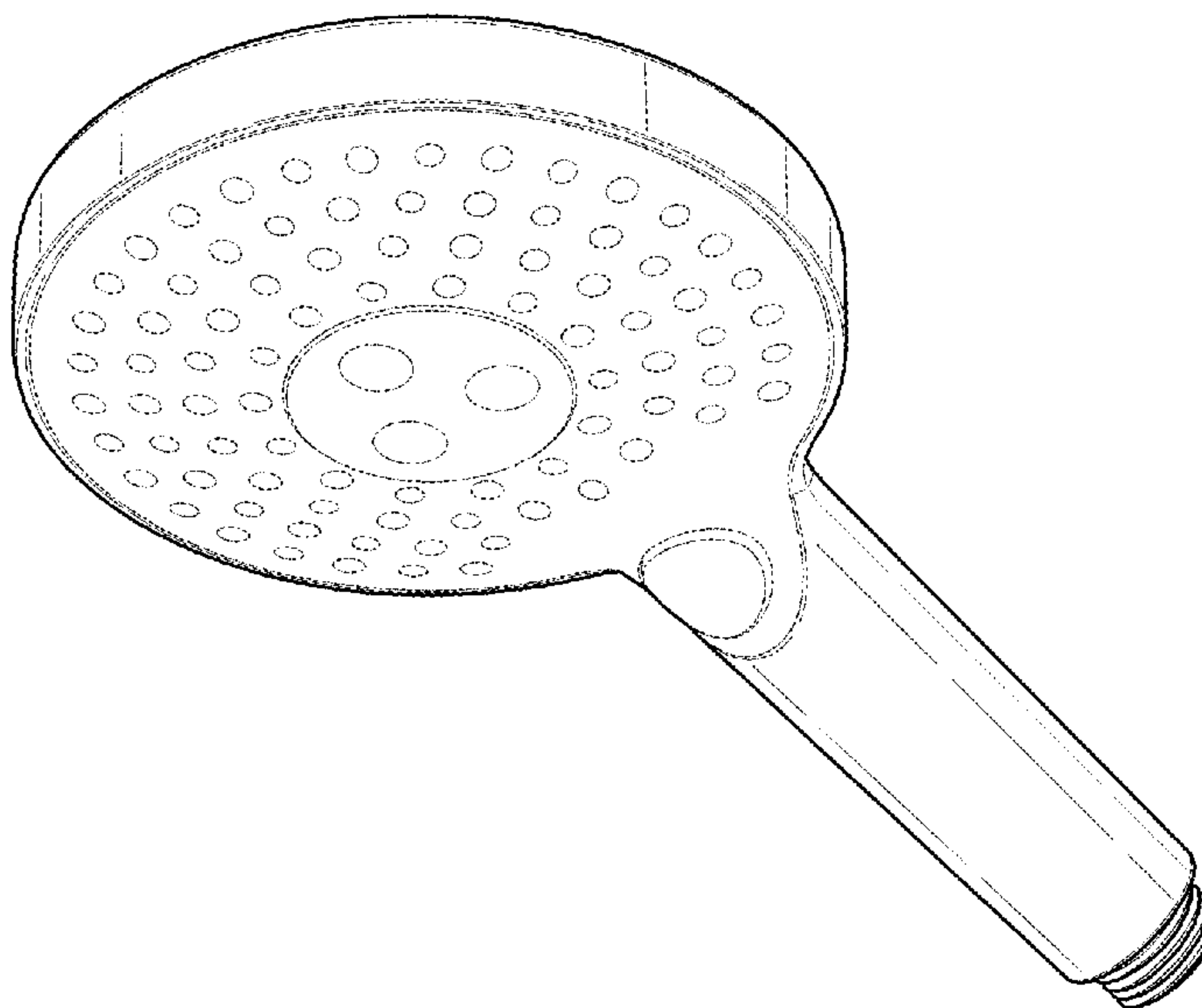


FIG. 1

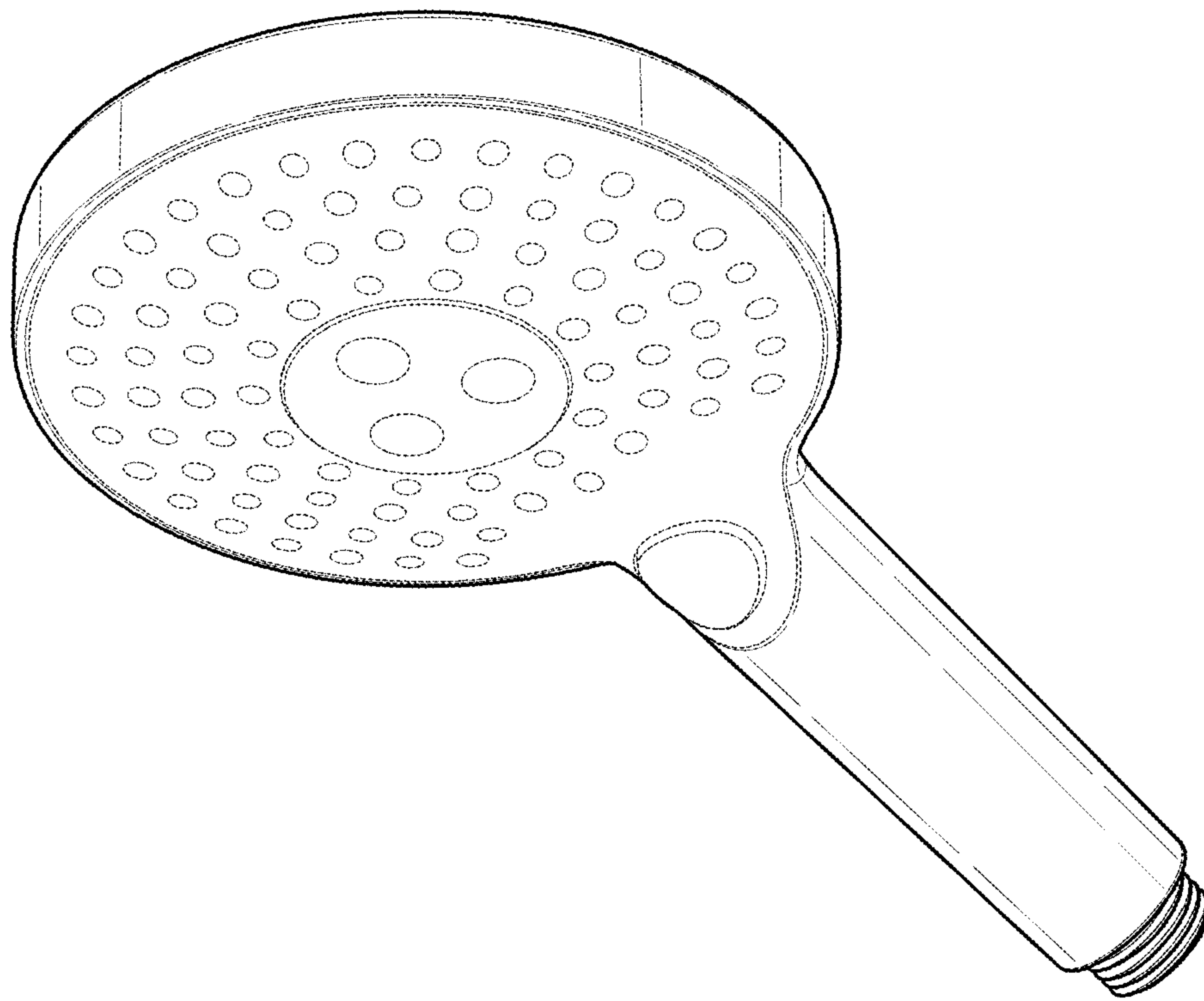


FIG. 2

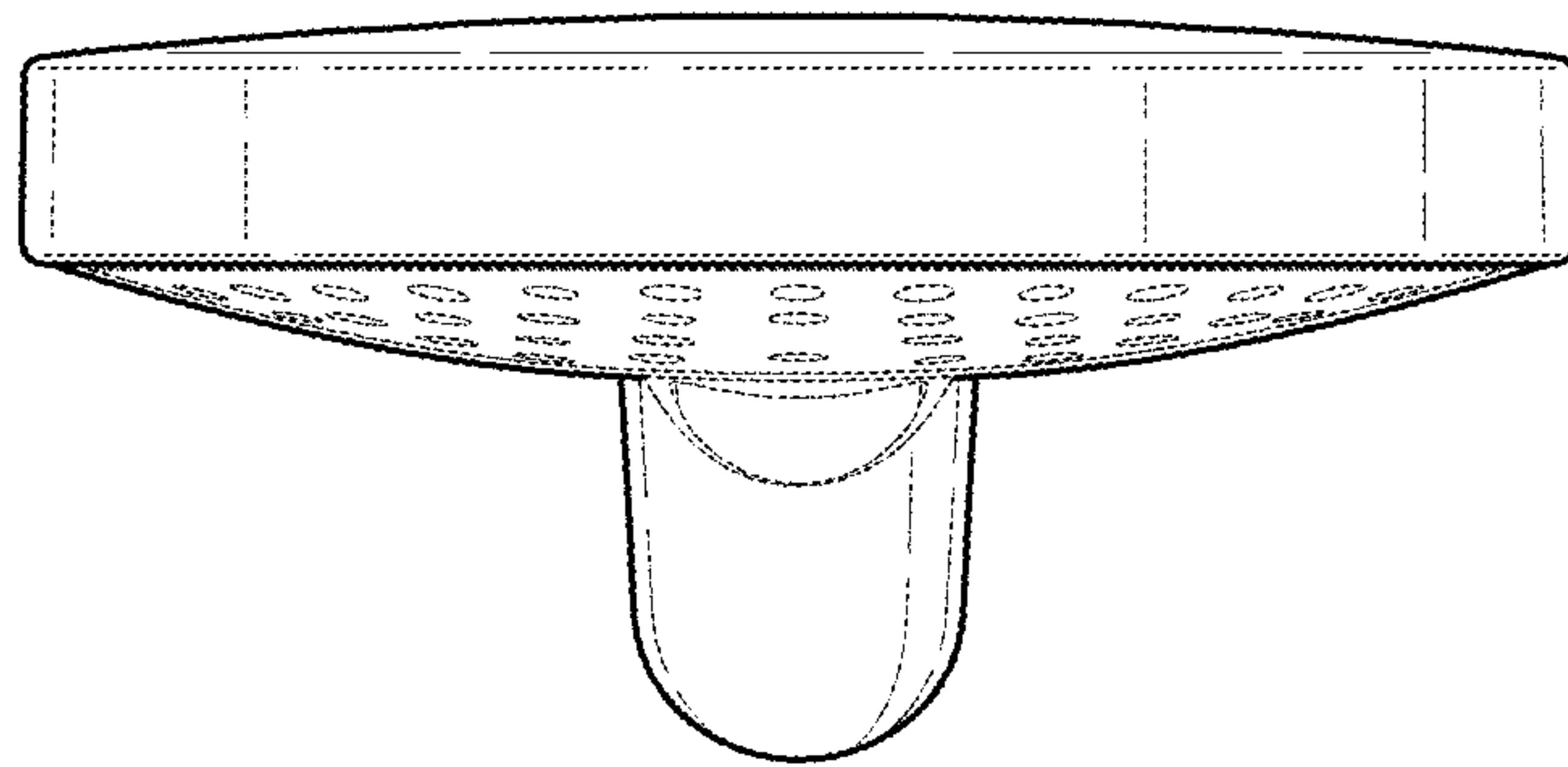


FIG. 3

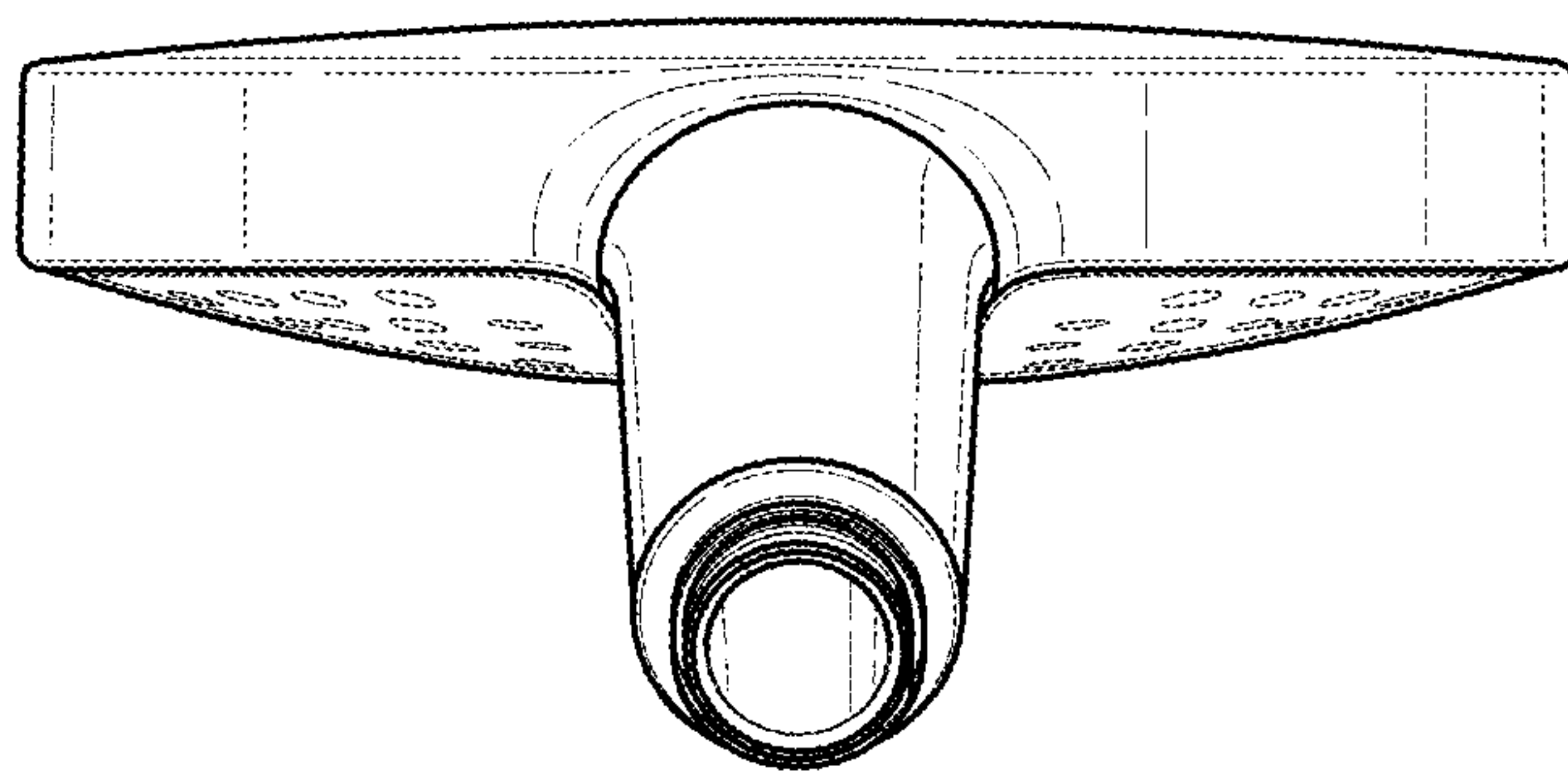


FIG. 4

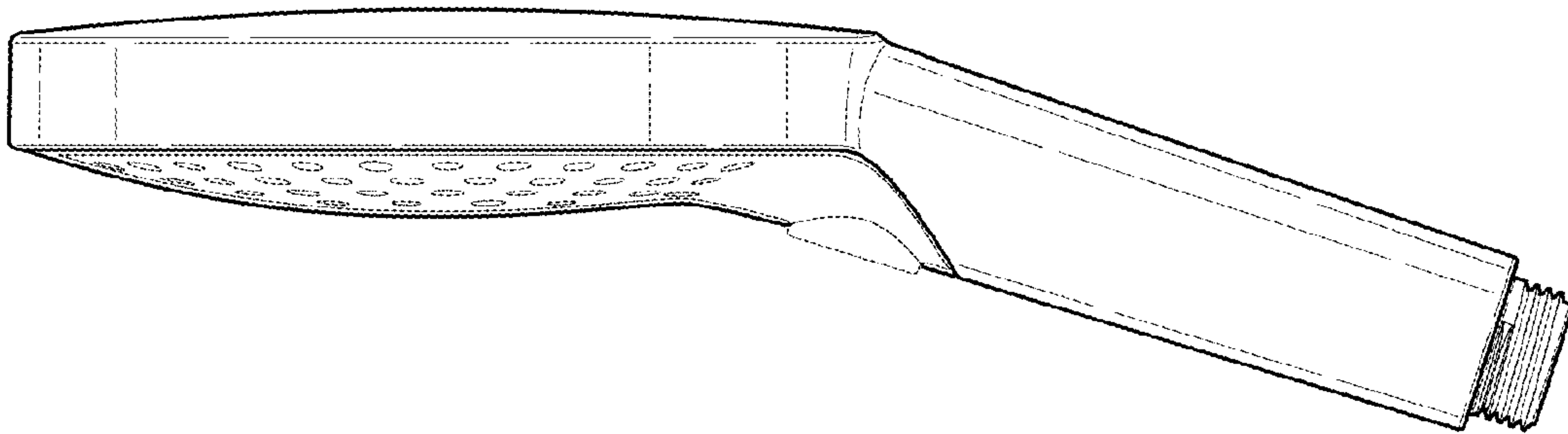


FIG. 5

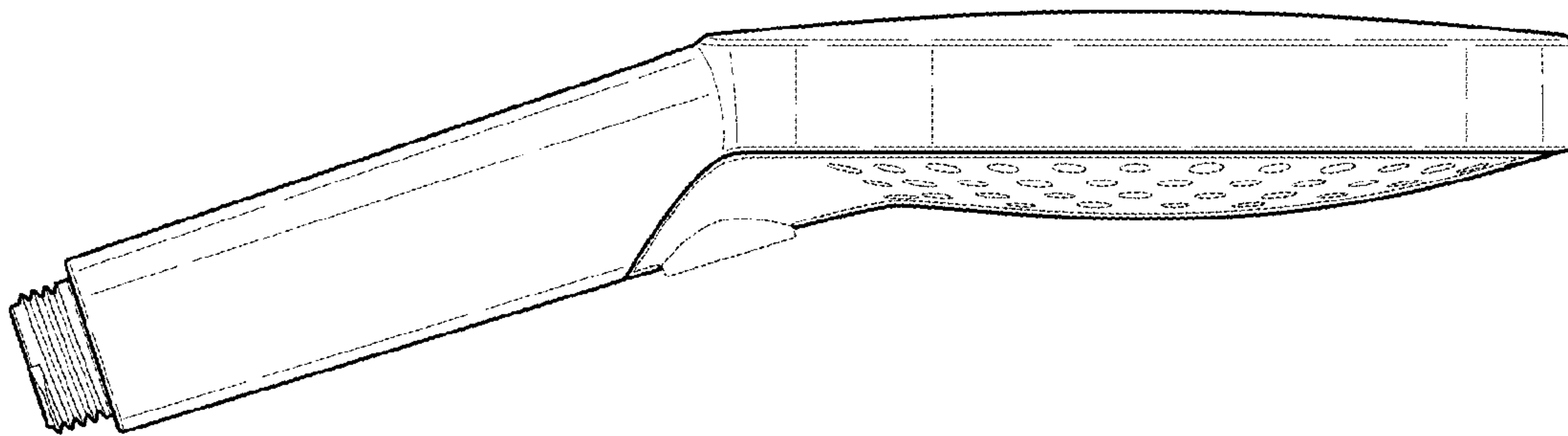


FIG. 6

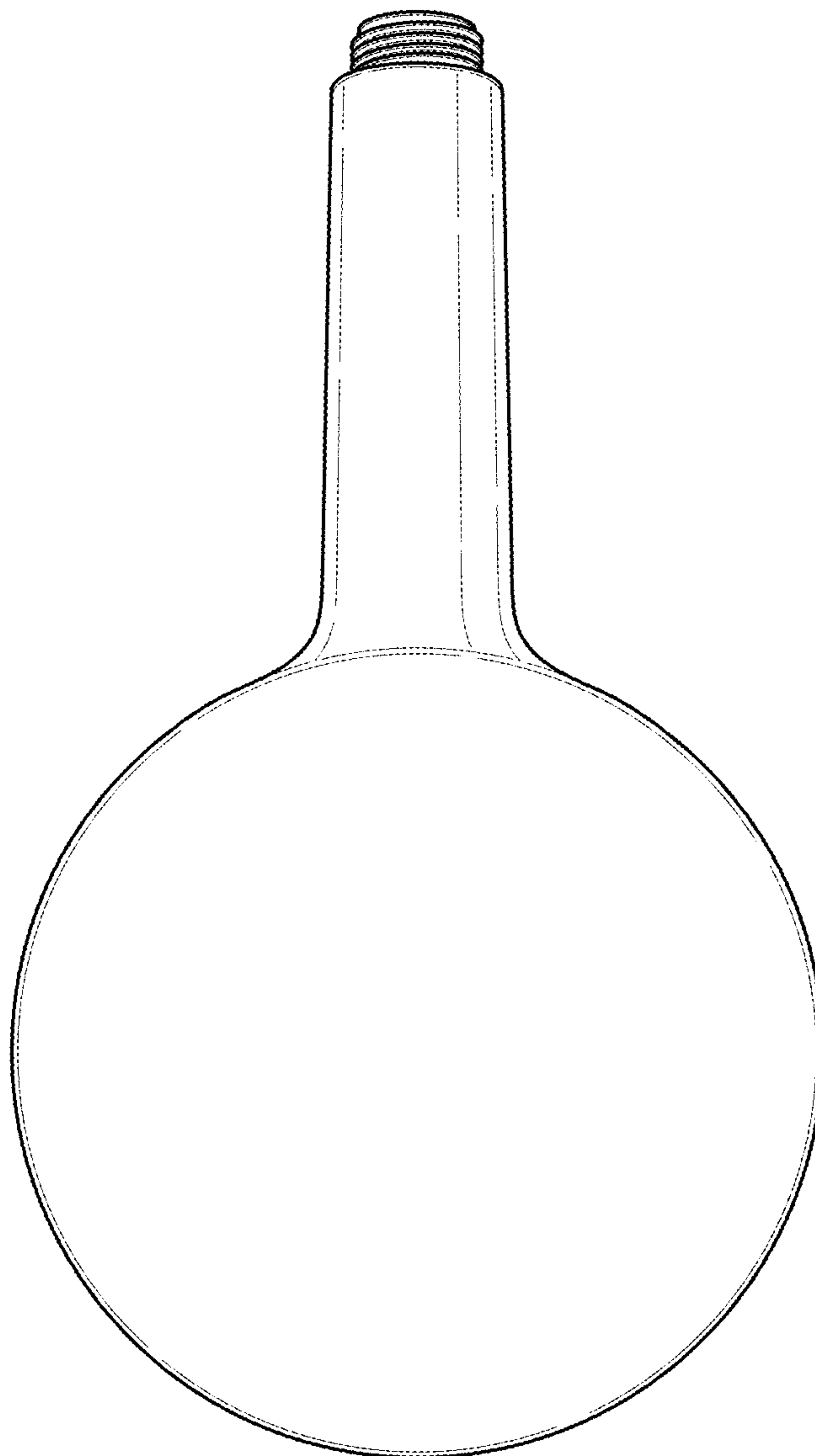




FIG. 7

