



US00D694360S

(12) **United States Design Patent**
Gaetano

(10) **Patent No.:** **US D694,360 S**
(45) **Date of Patent:** **** Nov. 26, 2013**

(54) **MULTIFUNCTION WATER SPRAYER**

(71) Applicant: **Claber S.p.A.**, Fiume Veneto (IT)

(72) Inventor: **Franchini Gaetano**, Fiume Veneto (IT)

(73) Assignee: **Claber S.p.A.**, Fiume Veneto (PN) (IT)

(**) Term: **14 Years**

(21) Appl. No.: **29/439,073**

(22) Filed: **Dec. 6, 2012**

(30) **Foreign Application Priority Data**

Jun. 8, 2012 (EP) 002054403

(51) **LOC (9) Cl.** **23-01**

(52) **U.S. Cl.**
USPC **D23/223**

(58) **Field of Classification Search**
USPC D23/213, 223, 226; 239/525–526
See application file for complete search history.

(56) **References Cited**

U.S. PATENT DOCUMENTS

D408,498 S * 4/1999 Wang D23/226
D447,539 S * 9/2001 Tse D23/226
D486,555 S * 2/2004 Chen D23/226

D534,241 S * 12/2006 Wang D23/226
D548,392 S * 8/2007 Lo et al. D23/226
D553,713 S * 10/2007 Chih D23/226
D559,353 S * 1/2008 Chih D23/226
D643,907 S * 8/2011 Hung D23/223

* cited by examiner

Primary Examiner — Robin V Webster

(74) *Attorney, Agent, or Firm* — Jacobson Holman PLLC

(57) **CLAIM**

I claim the ornamental design for a “multifunction water sprayer,” as shown and described.

DESCRIPTION

FIG. 1 shows a lateral view of a multifunction water sprayer; FIG. 2 shows a back view of the multifunction water sprayer of FIG. 1;

FIG. 3 shows a lateral view of the multifunction water sprayer of FIG. 1;

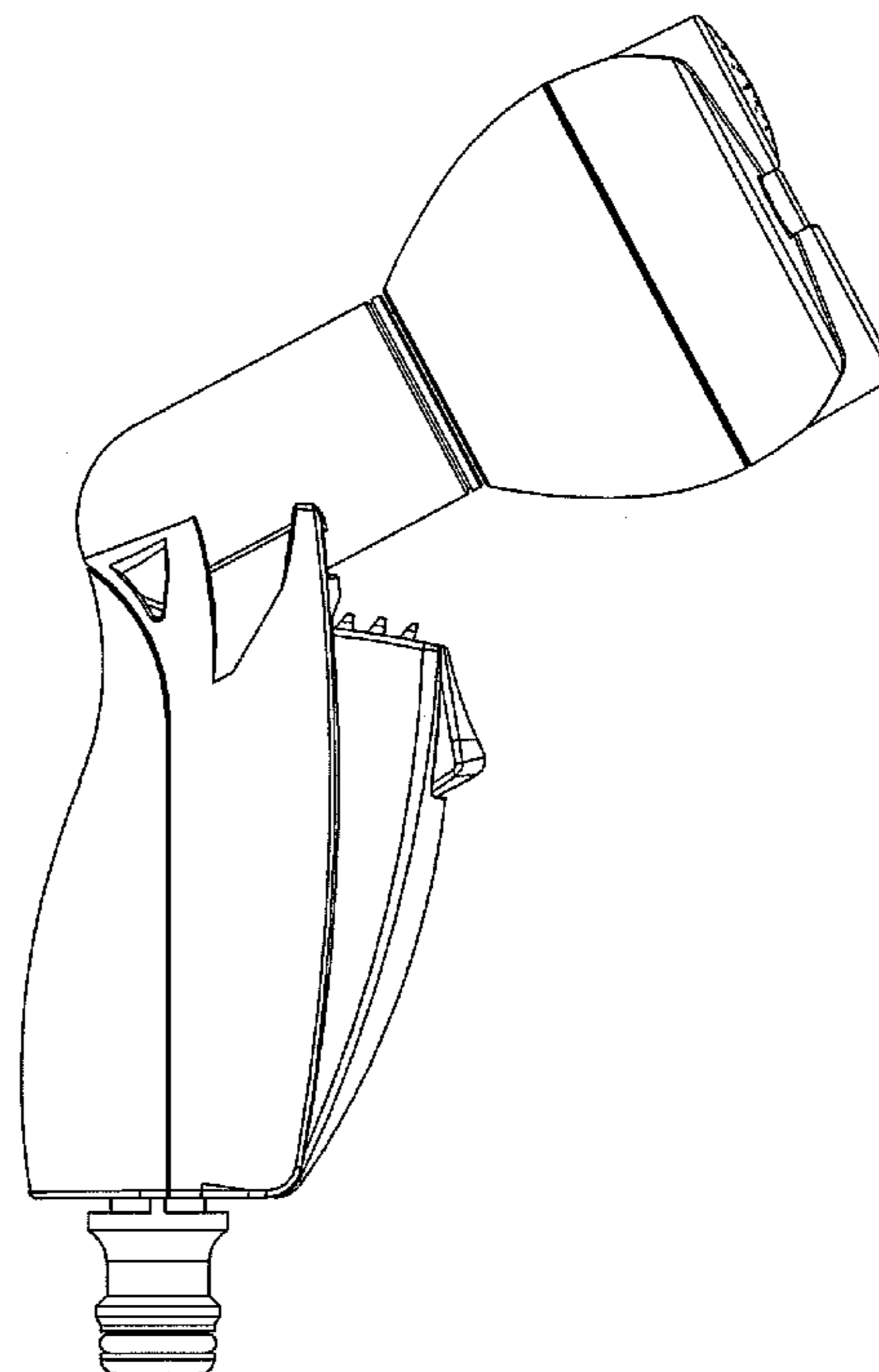
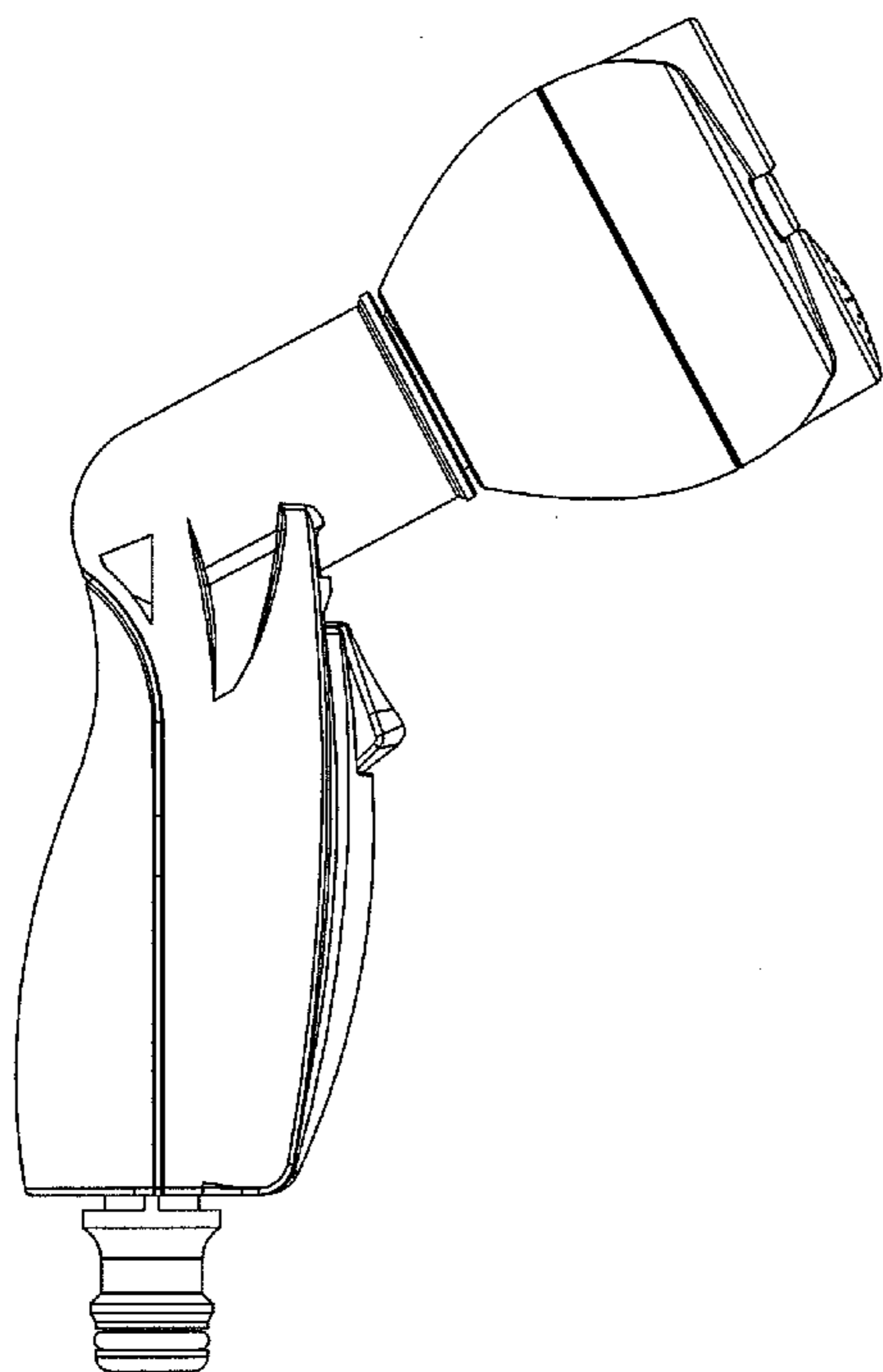
FIG. 4 shows a top view of the multifunction water sprayer of FIG. 1;

FIG. 5 shows a front view of the multifunction water sprayer of FIG. 1;

FIG. 6 shows a bottom view of the multifunction water sprayer of FIG. 1; and,

FIG. 7 shows a lateral view of the multifunction water sprayer of FIG. 1 in open position.

1 Claim, 7 Drawing Sheets



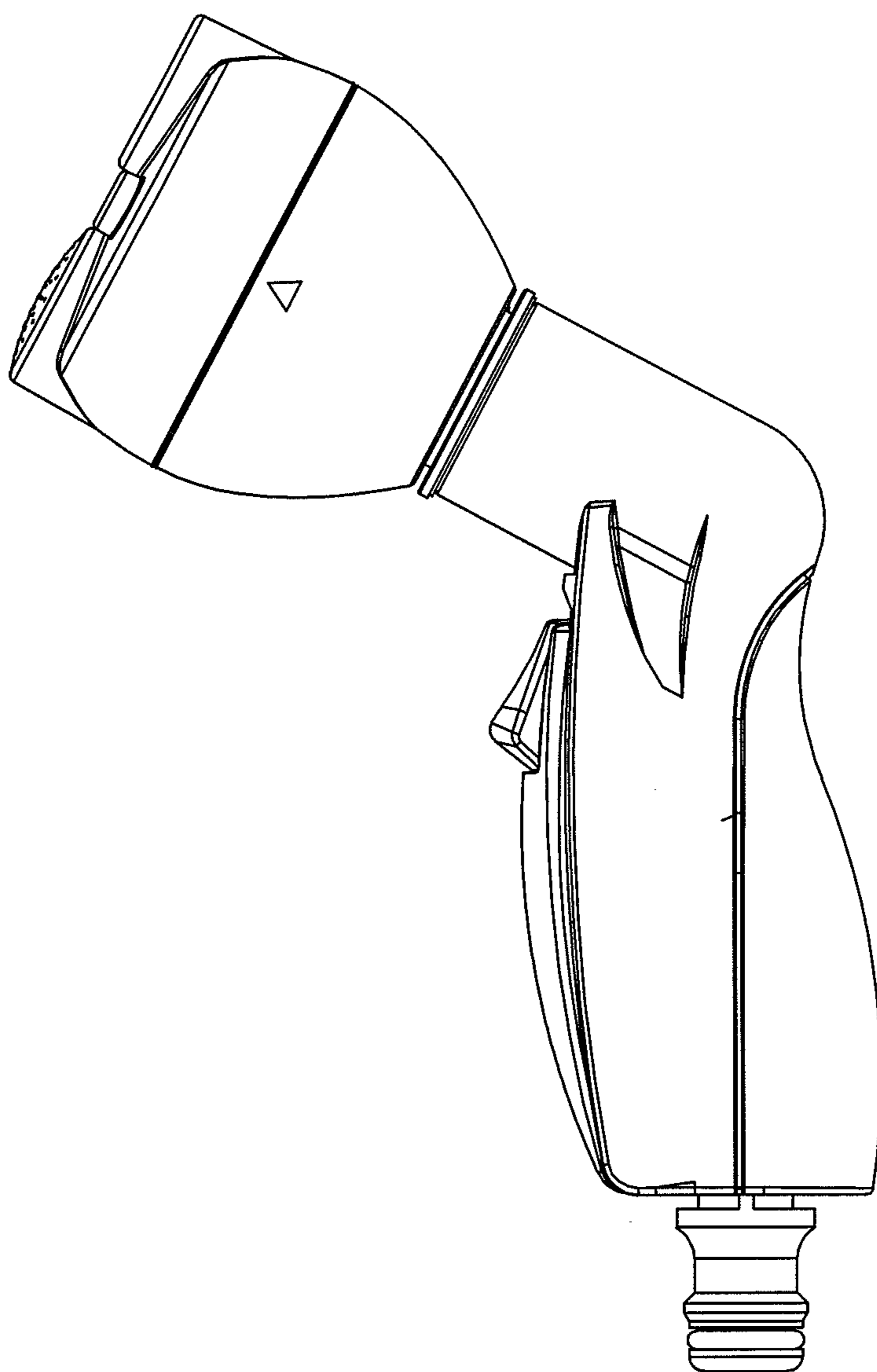


FIG. 1

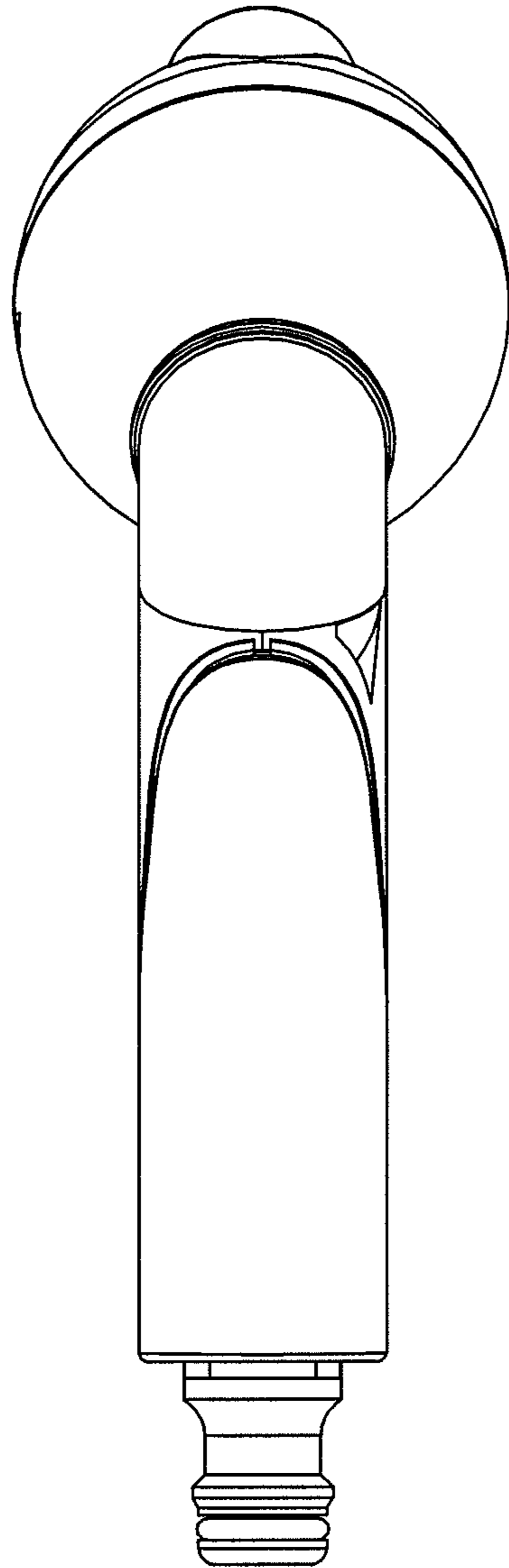


FIG.2

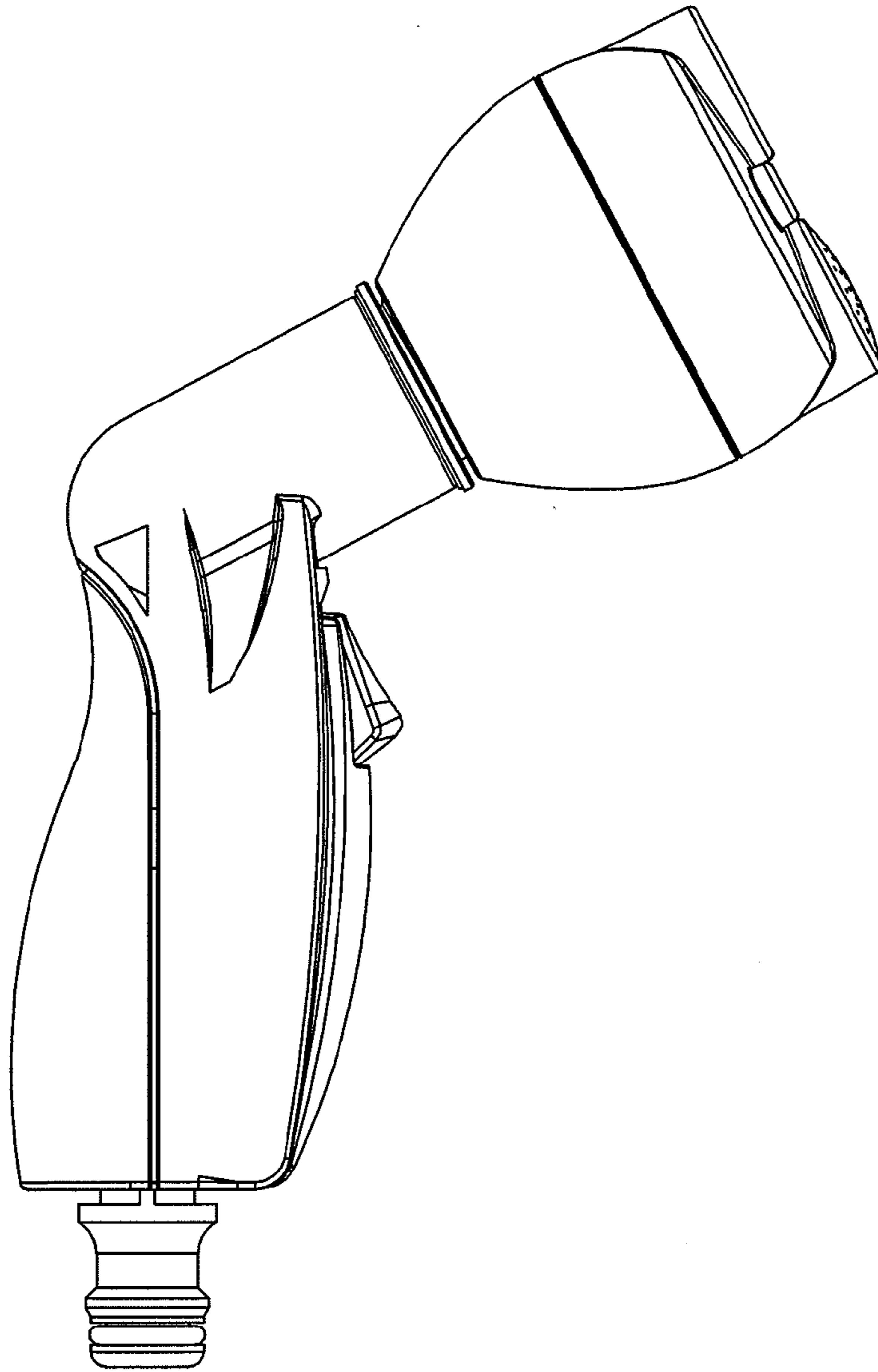


FIG.3

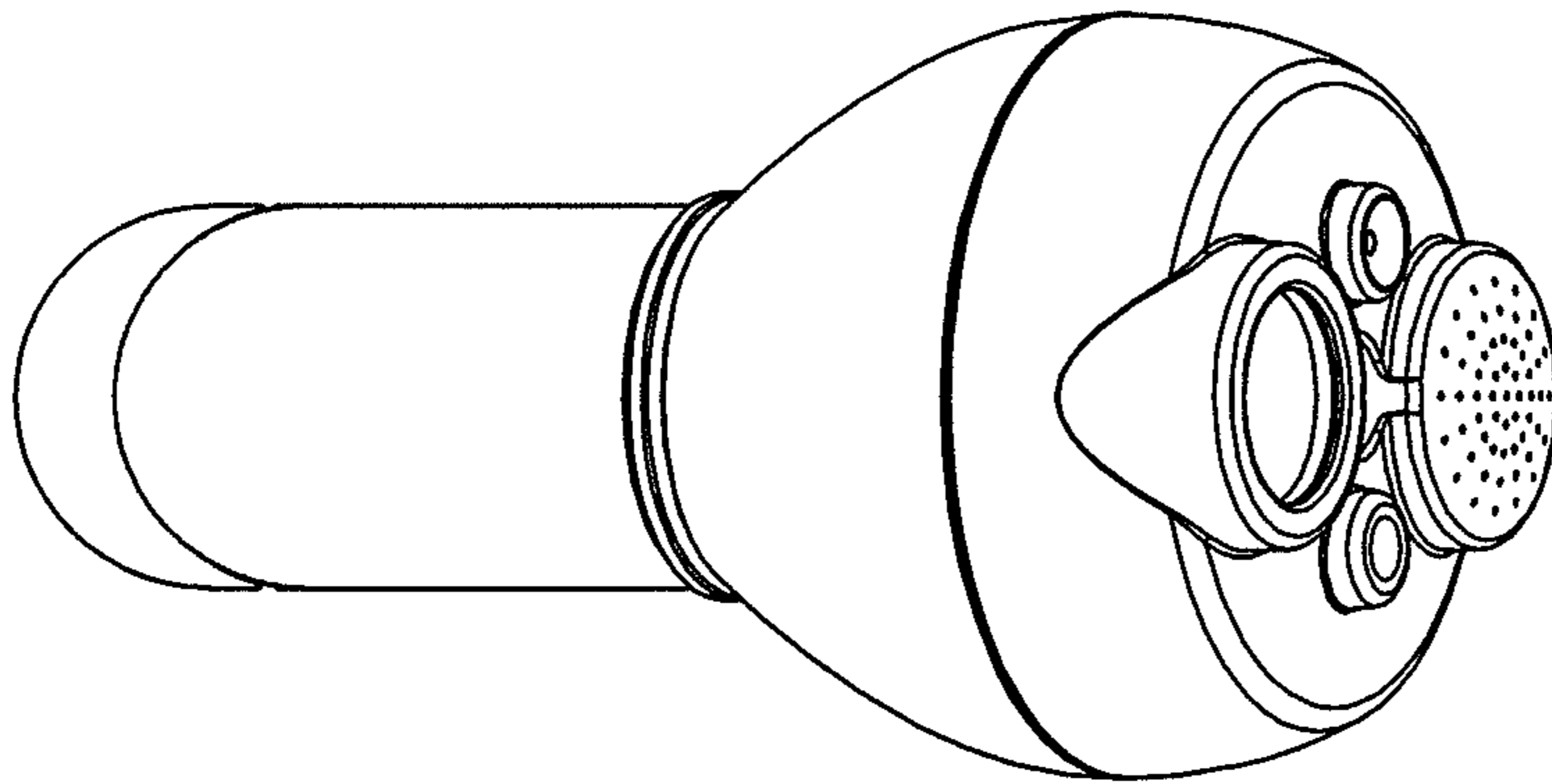


FIG.4

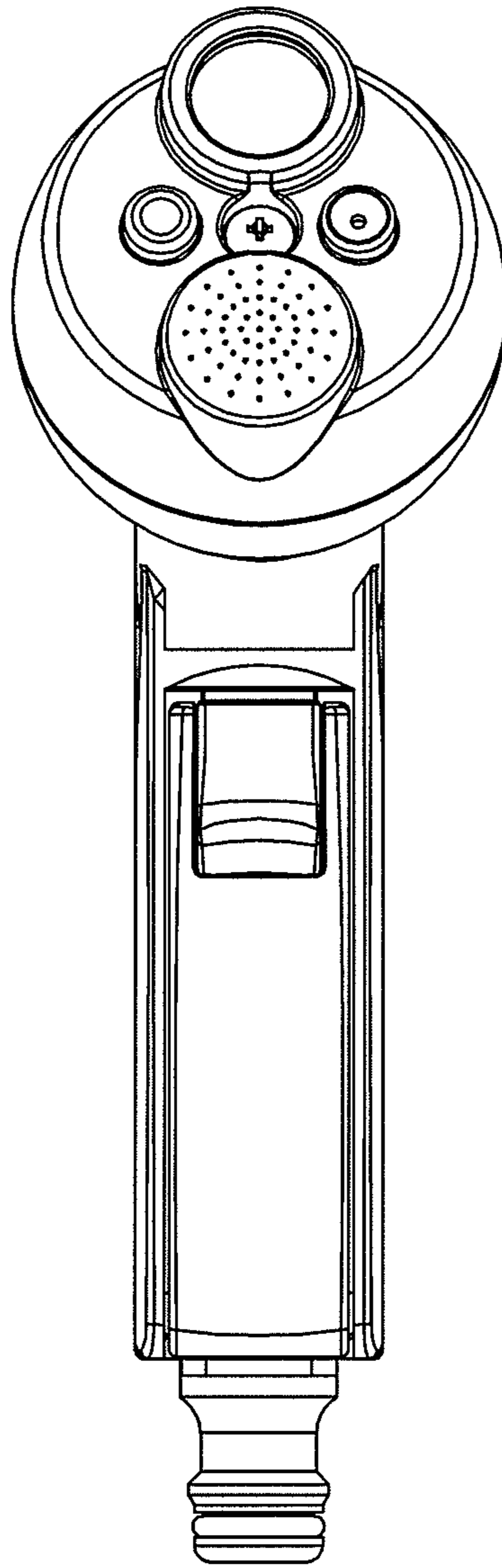


FIG.5

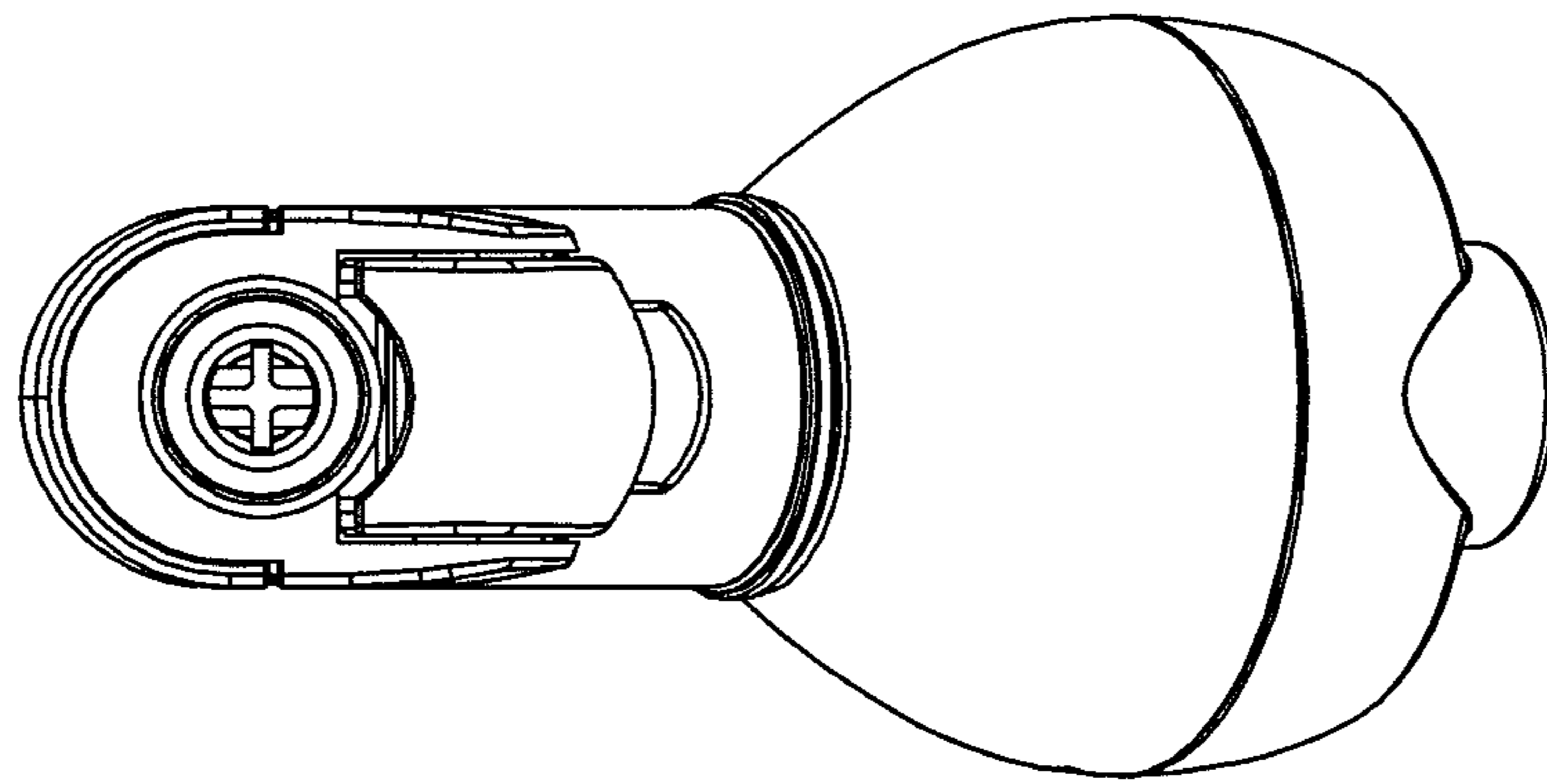


FIG.6

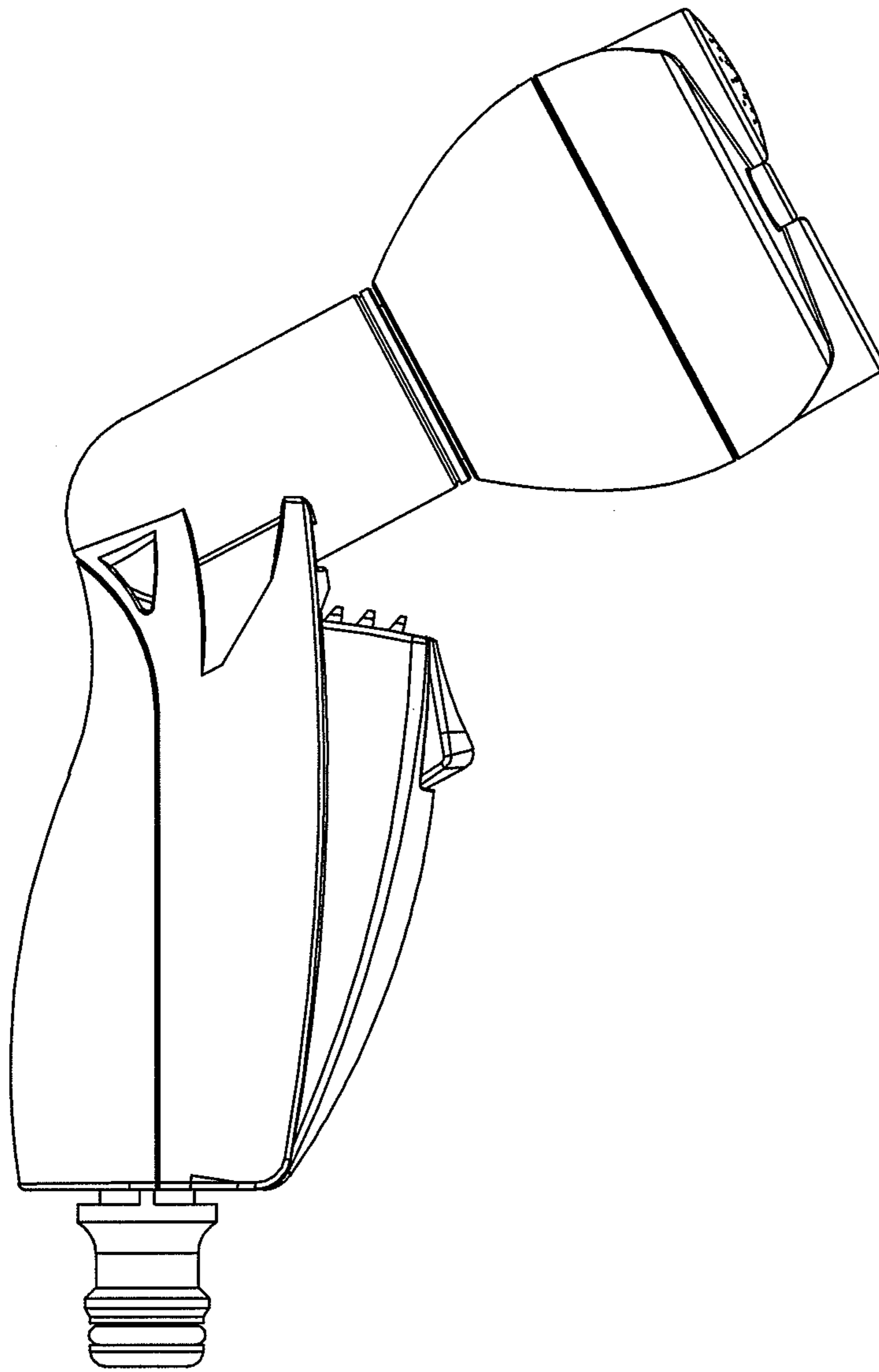


FIG.7