

US00D694358S

(12) **United States Design Patent**
Schoenherr et al.

(10) **Patent No.:** **US D694,358 S**

(45) **Date of Patent:** **** Nov. 26, 2013**

(54) **OVERHEAD SHOWER**

(71) Applicant: **Hansgrohe SE**, Schiltach (DE)

(72) Inventors: **Tom Schoenherr**, Stuttgart (DE); **Marco Flaig**, Stuttgart (DE)

(73) Assignee: **Hansgrohe SE**, Schiltach (DE)

(**) Term: **14 Years**

(21) Appl. No.: **29/441,699**

(22) Filed: **Jan. 9, 2013**

(30) **Foreign Application Priority Data**

Jul. 11, 2012 (EM) 001334486-0002

(51) **LOC (9) Cl.** **23-01**

(52) **U.S. Cl.**
USPC **D23/213**

(58) **Field of Classification Search**
USPC D23/213, 223, 229, 230; 239/282, 283,
239/556

See application file for complete search history.

(56) **References Cited**

U.S. PATENT DOCUMENTS

D496,987 S	10/2004	Glunk
D540,427 S	4/2007	Bouroullec et al.
D590,476 S	4/2009	Schoenherr et al.
D604,803 S	11/2009	Schoenherr et al.
D607,970 S	1/2010	Schoenherr et al.
D612,008 S	3/2010	Schoenherr et al.
D612,010 S	3/2010	Schoenherr et al.

D651,281 S	*	12/2011	Lobermeier et al.	D23/213
D656,222 S	*	3/2012	Su	D23/229
D658,269 S	*	4/2012	Schoenherr et al.	D23/213
D669,962 S		10/2012	Schoenherr et al.	

FOREIGN PATENT DOCUMENTS

CN	301321165	8/2010
EM	0012961603-0001	1/2011

OTHER PUBLICATIONS

Brochure—Dawn Catalog 2012-2013, 3 pgs., Dawn California, USA (at least as early as Apr. 24, 2012).
Brochure—ECH Shower 2010, 5 pgs., Foshan ECH Sanitary Ware Co. Ltd., Foshan City, Guangdong, PRC (at least as early as May 26, 2010).

* cited by examiner

Primary Examiner — Robin V Webster

(74) *Attorney, Agent, or Firm* — Nirav D. Parikh

(57) **CLAIM**

The ornamental design for an overhead shower, as shown and described.

DESCRIPTION

FIG. 1 is a perspective view of an overhead shower showing our design;
FIG. 2 is a front elevational view thereof;
FIG. 3 is a rear elevational view thereof;
FIG. 4 is a left side elevational view thereof;
FIG. 5 is a right side elevational view thereof;
FIG. 6 is a top plan view thereof; and,
FIG. 7 is a bottom plan view thereof.

1 Claim, 7 Drawing Sheets

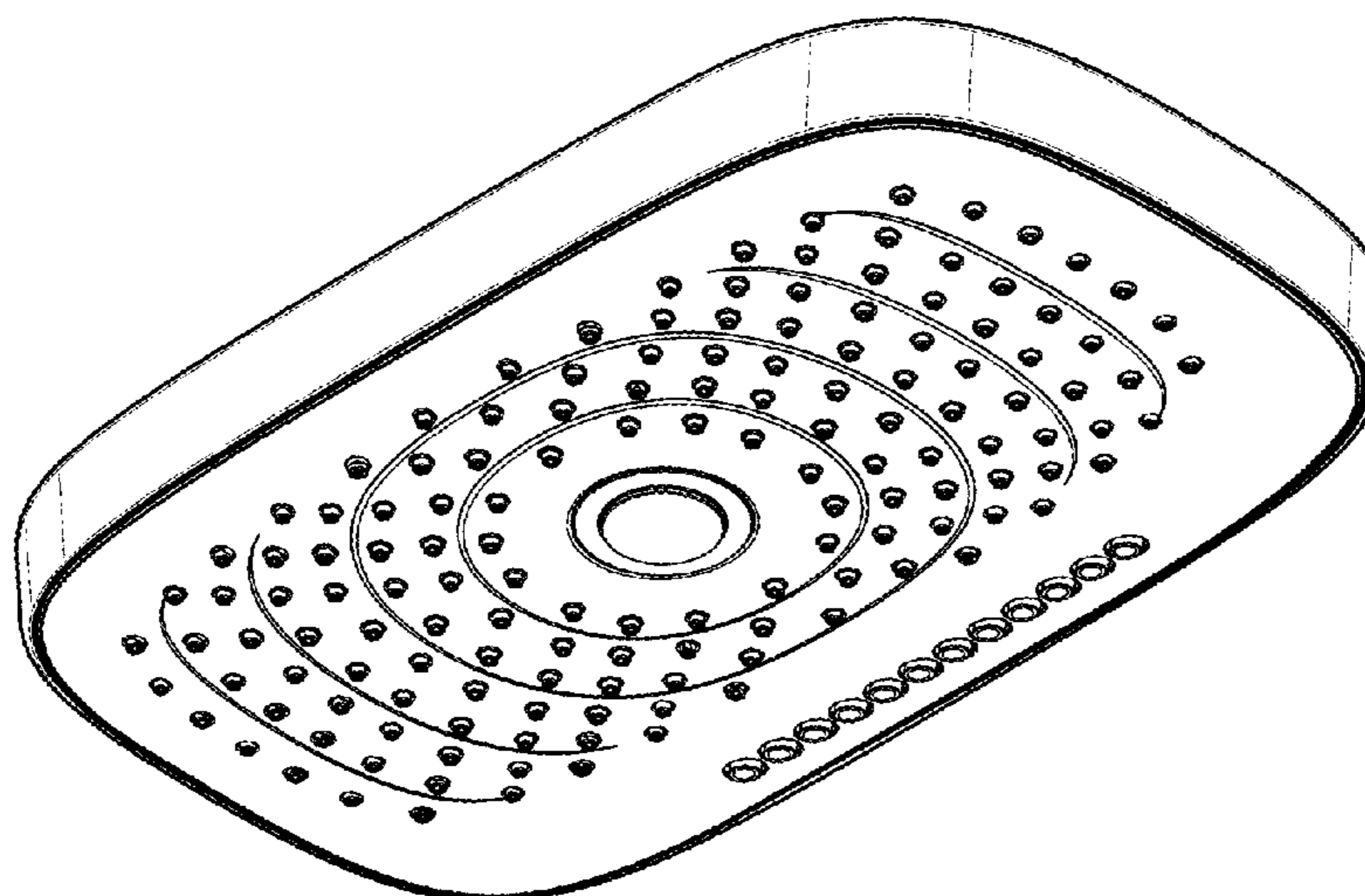


FIG. 1

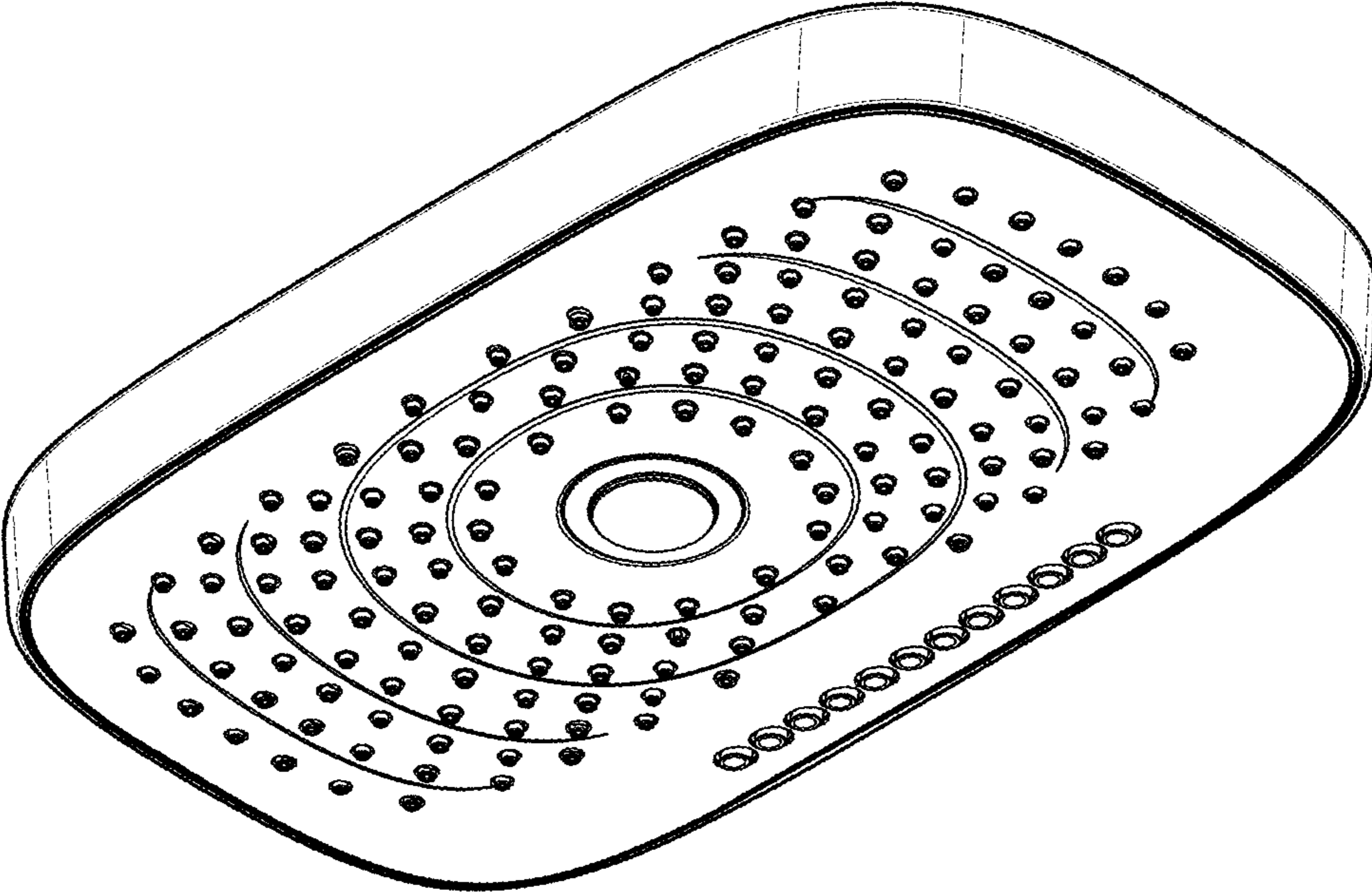


FIG. 2

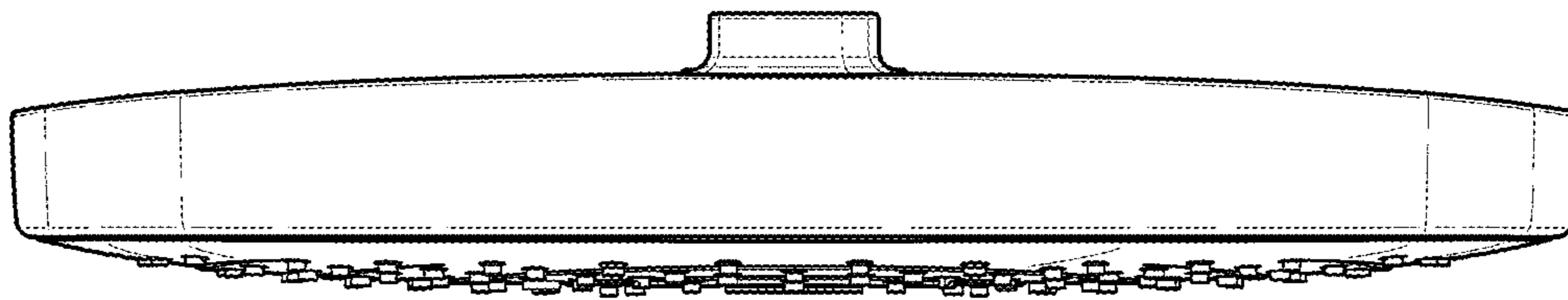


FIG. 3

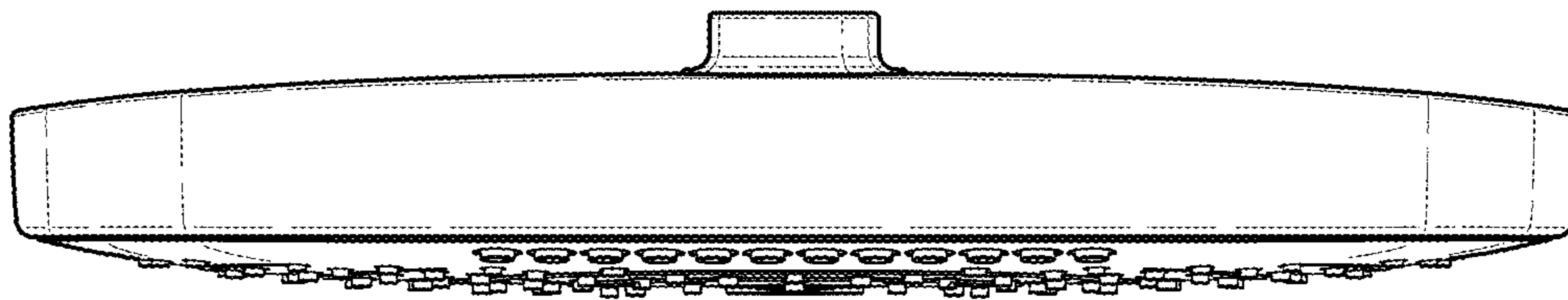


FIG. 4

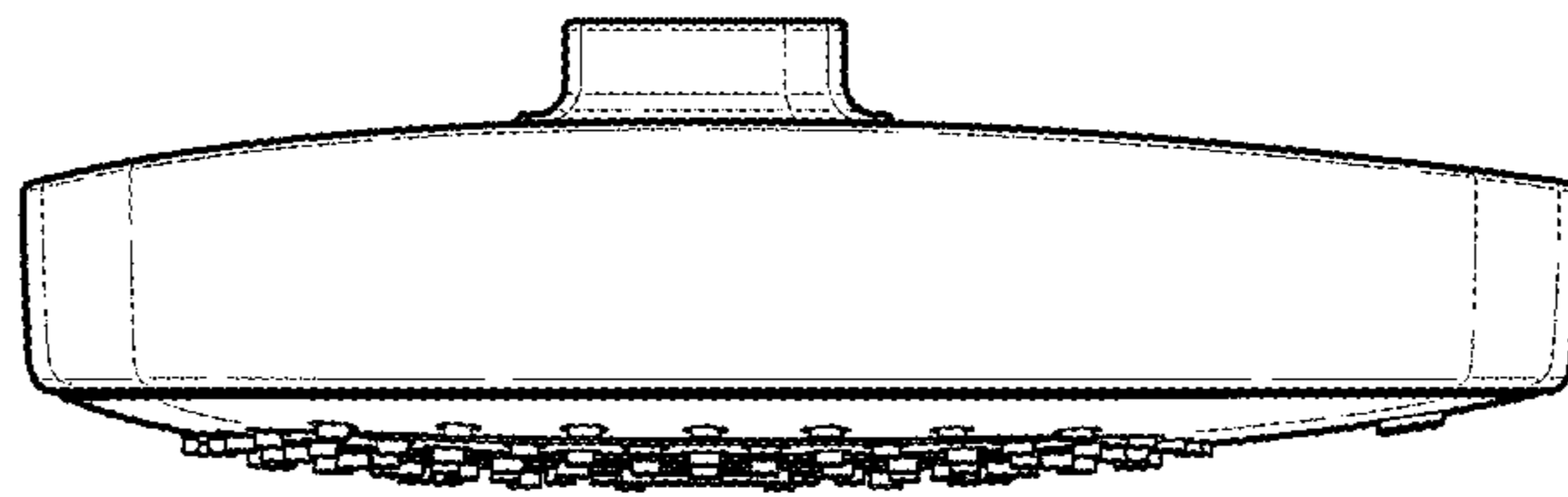


FIG. 5

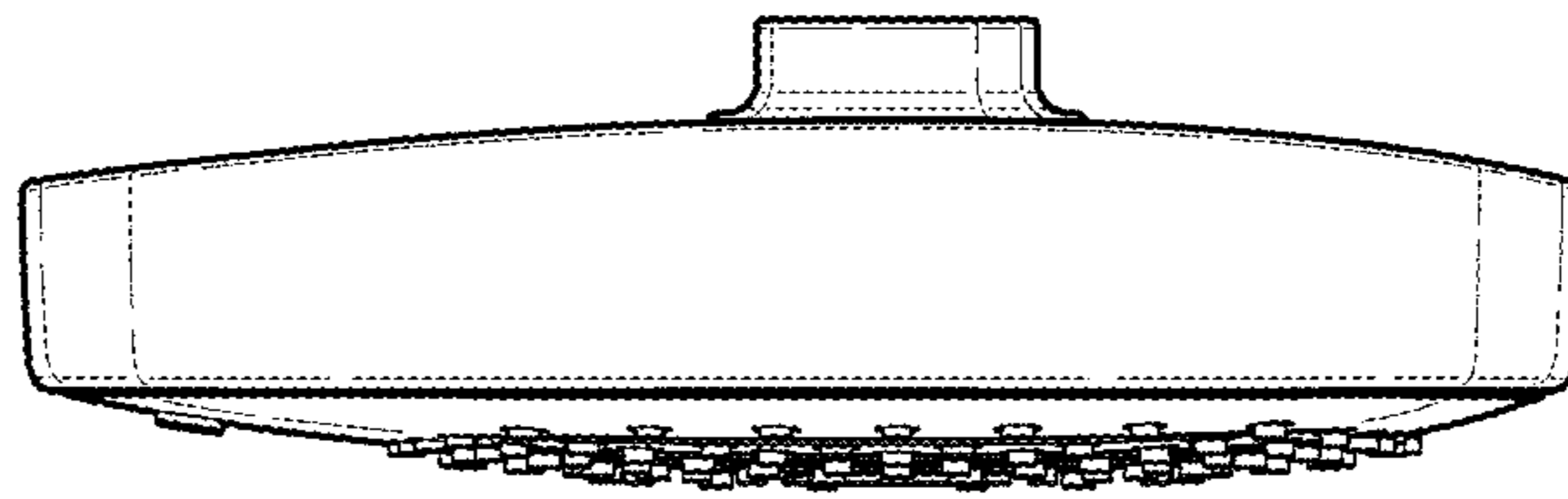


FIG. 6

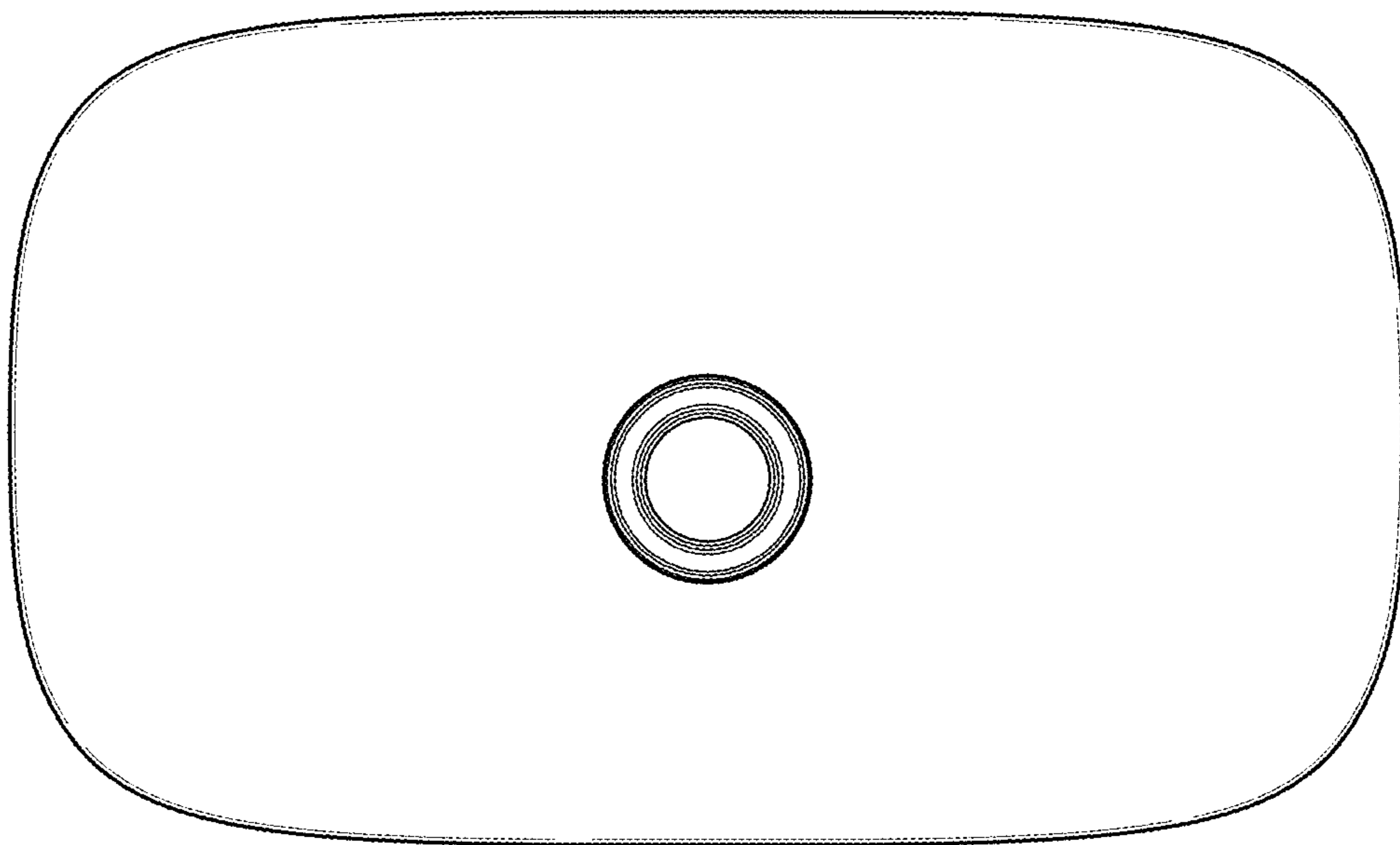


FIG. 7

