



US00D694356S

(12) **United States Design Patent**
Pray

(10) **Patent No.:** **US D694,356 S**

(45) **Date of Patent:** **** Nov. 26, 2013**

(54) **FLY CAGE**

(71) Applicant: **Thomas J. Pray**, Eliot, ME (US)

(72) Inventor: **Thomas J. Pray**, Eliot, ME (US)

(**) Term: **14 Years**

(21) Appl. No.: **29/444,180**

(22) Filed: **Jan. 28, 2013**

(51) **LOC (9) Cl.** **22-06**

(52) **U.S. Cl.**
USPC **D22/122**

(58) **Field of Classification Search**
USPC D22/119–124; 43/65–66, 77–79, 85,
43/88, 90–92, 112–113, 121–122, 124,
43/131, 132.1, 107
See application file for complete search history.

(56) **References Cited**

U.S. PATENT DOCUMENTS

645,880	A	3/1900	Varnum	
1,091,717	A	3/1914	Terhune	
3,465,468	A *	9/1969	Takamoto	43/113
3,935,662	A *	2/1976	Hamid et al.	43/112
D241,637	S *	9/1976	Krush	D22/122
D350,802	S *	9/1994	Herbert	D22/122
5,419,076	A	5/1995	Moreland et al.	
D366,688	S *	1/1996	Carvalho	D22/122
D368,952	S *	4/1996	Flowers	D22/122
D374,704	S *	10/1996	Rimback	D22/122
D400,635	S *	11/1998	Kinzler et al.	D22/122

D406,872	S *	3/1999	Miller et al.	D22/119
6,089,247	A	7/2000	Price	
D478,958	S *	8/2003	Harris et al.	D22/122
6,604,317	B1	8/2003	Newman	
7,150,125	B1	12/2006	Mizell, III	
D645,535	S *	9/2011	Schneidmiller et al.	D22/122
8,220,197	B1	7/2012	Pray	

* cited by examiner

Primary Examiner — Catheri Oliver-Garcia

(74) *Attorney, Agent, or Firm* — Montgomery Patent & Design; Robert C. Montgomery

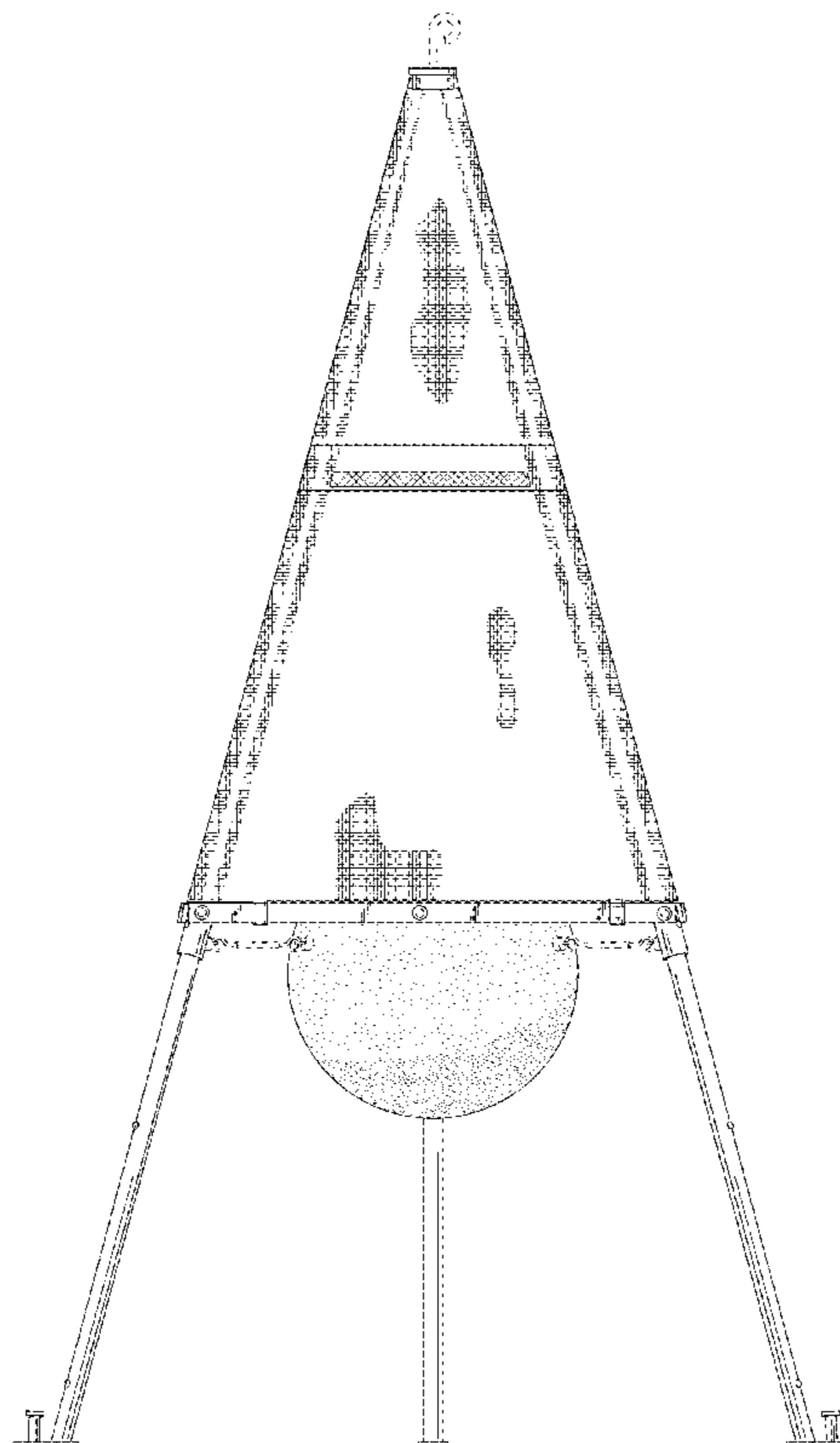
(57) **CLAIM**

The ornamental design for a fly cage, as shown and described.

DESCRIPTION

FIG. 1 is an front view of a fly cage, with a cover attached over a top portion thereof, showing my new design;
 FIG. 2 is a front view the fly cage of FIG. 1, with the cover detached from the top portion thereof;
 FIG. 3 is a rear view of the fly cage and cover of FIG. 2;
 FIG. 4 is a view of the fly cage rotated 120° from the fly cage and cover of FIG. 1;
 FIG. 5 is a view of the fly cage rotated 120° from the fly cage and cover of FIG. 4;
 FIG. 6 is a top view thereof;
 FIG. 7 is a bottom view thereof; and,
 FIG. 8 is a bottom view of the fly cage without the cover and without the bait ball to show an inside view of the fly cage.
 The broken lines shown in the drawings illustrate the environment of the article and form no part of the claimed design.

1 Claim, 8 Drawing Sheets



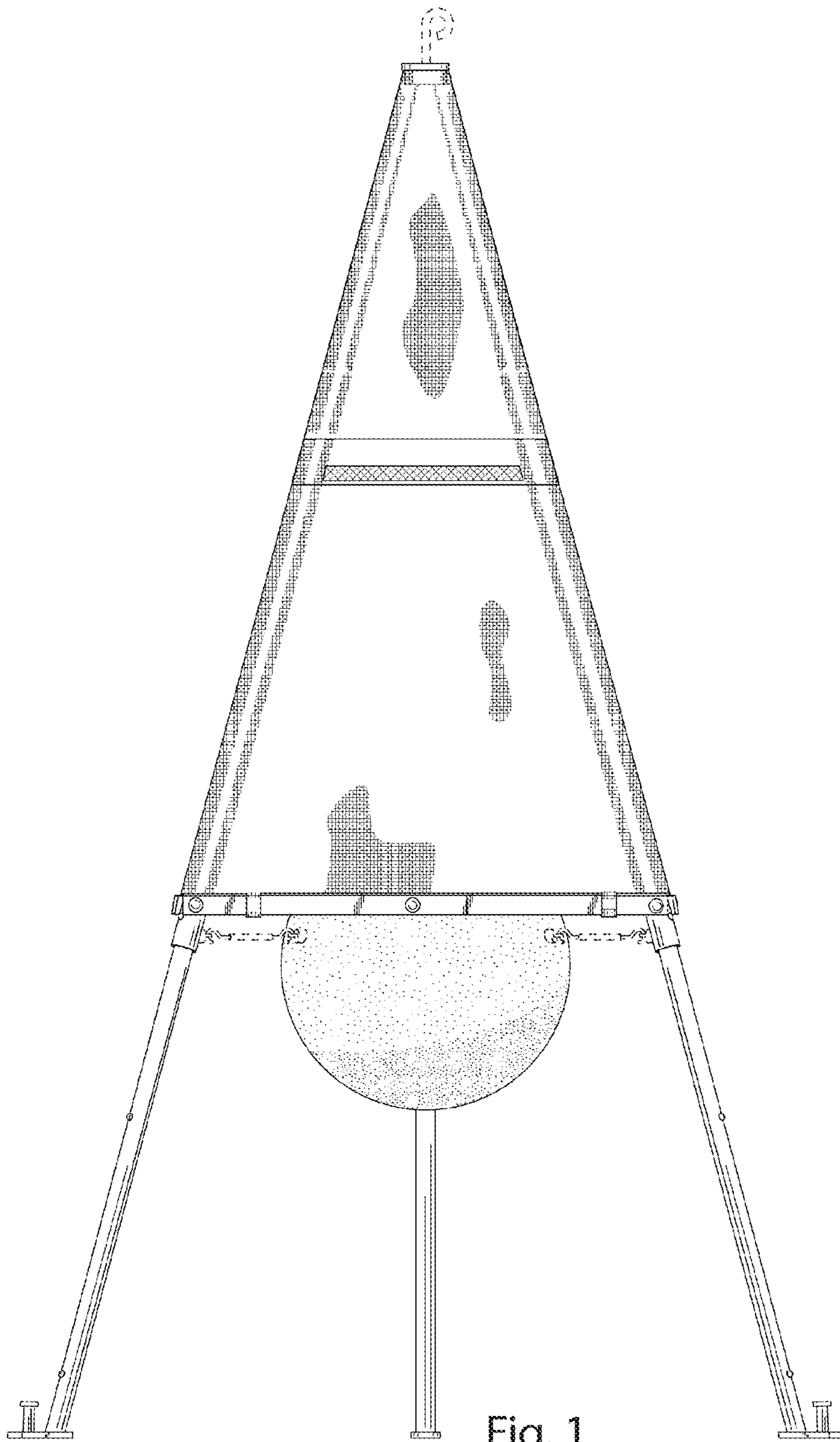


Fig. 1

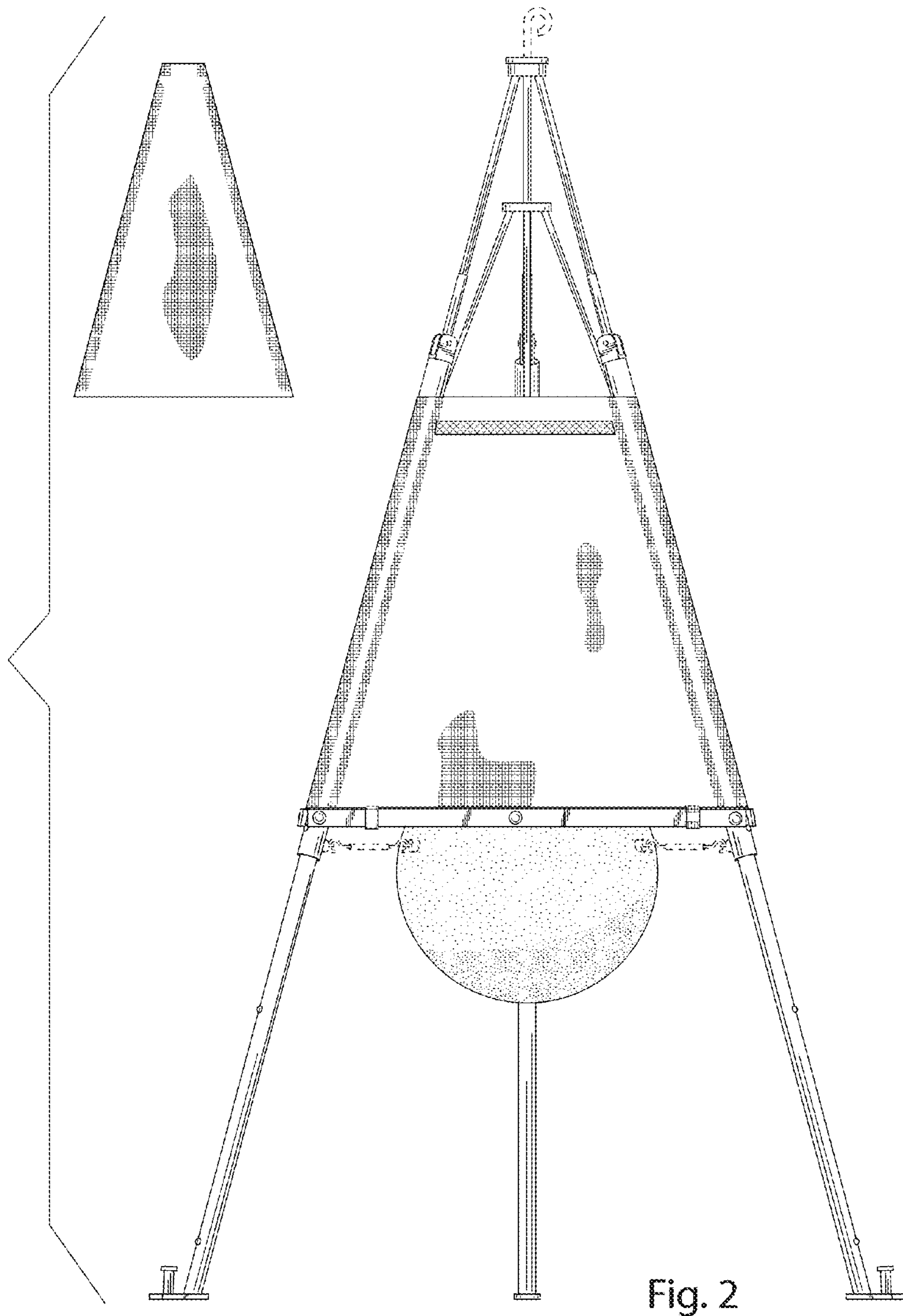


Fig. 2

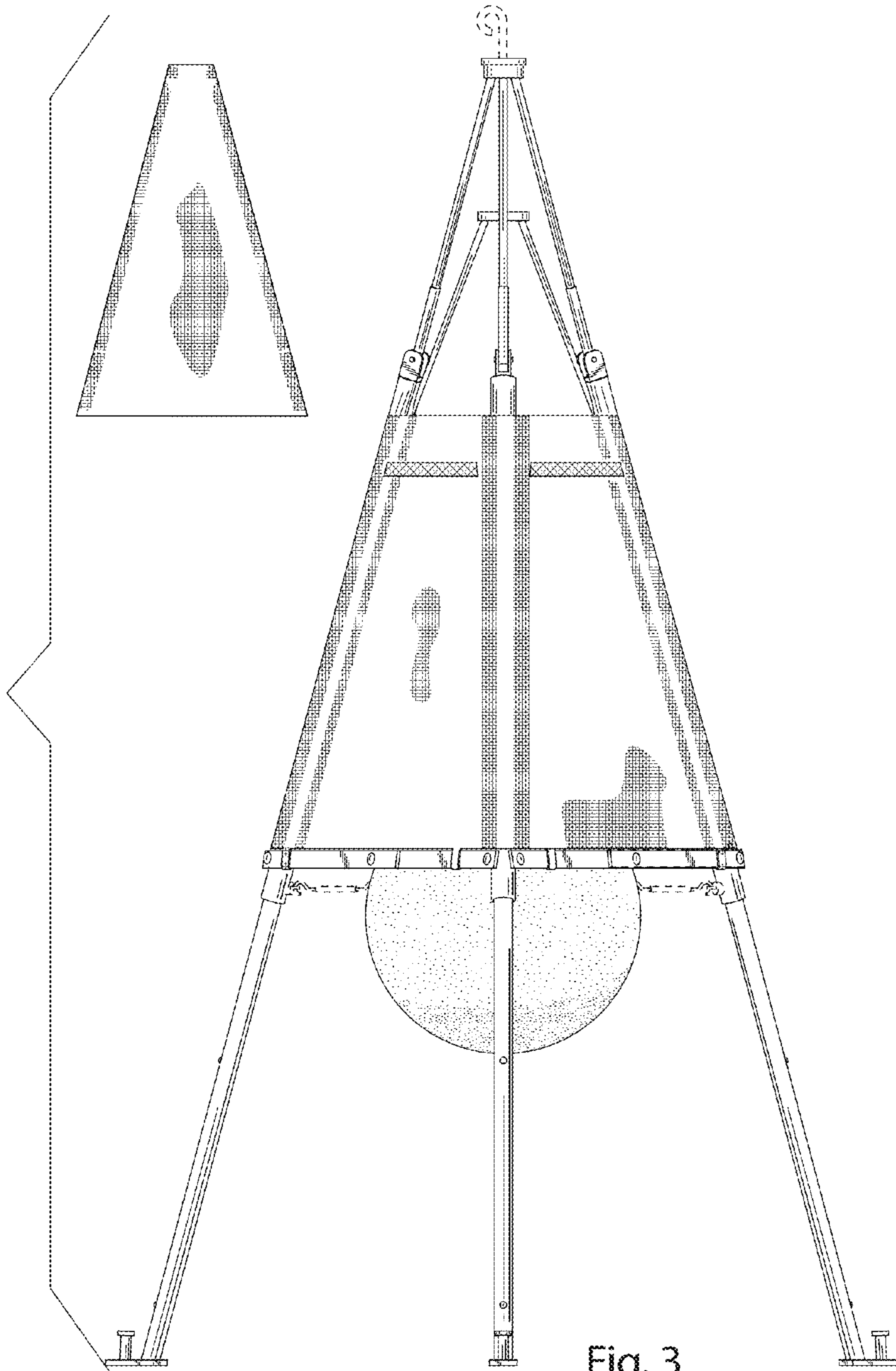


Fig. 3

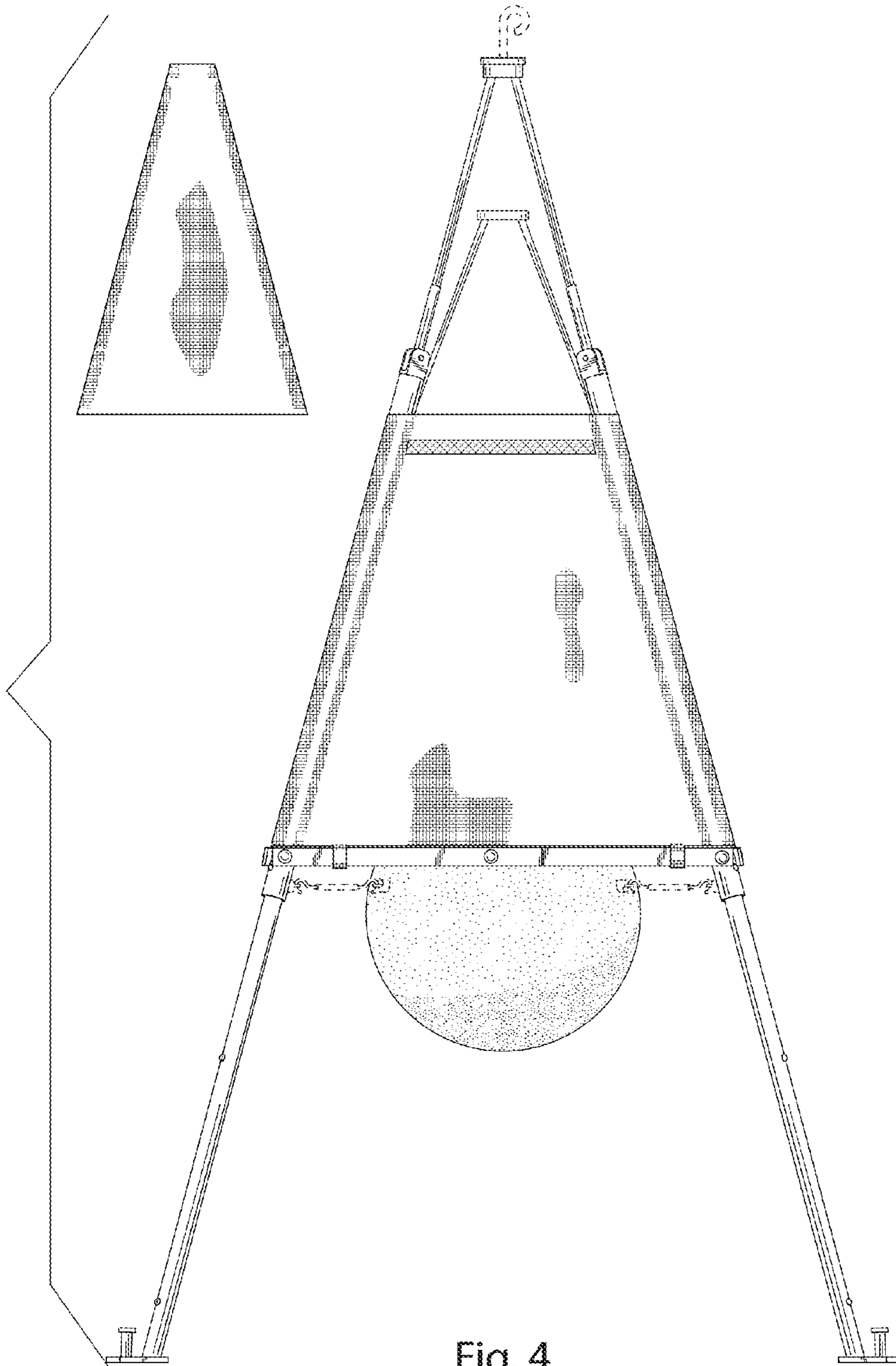
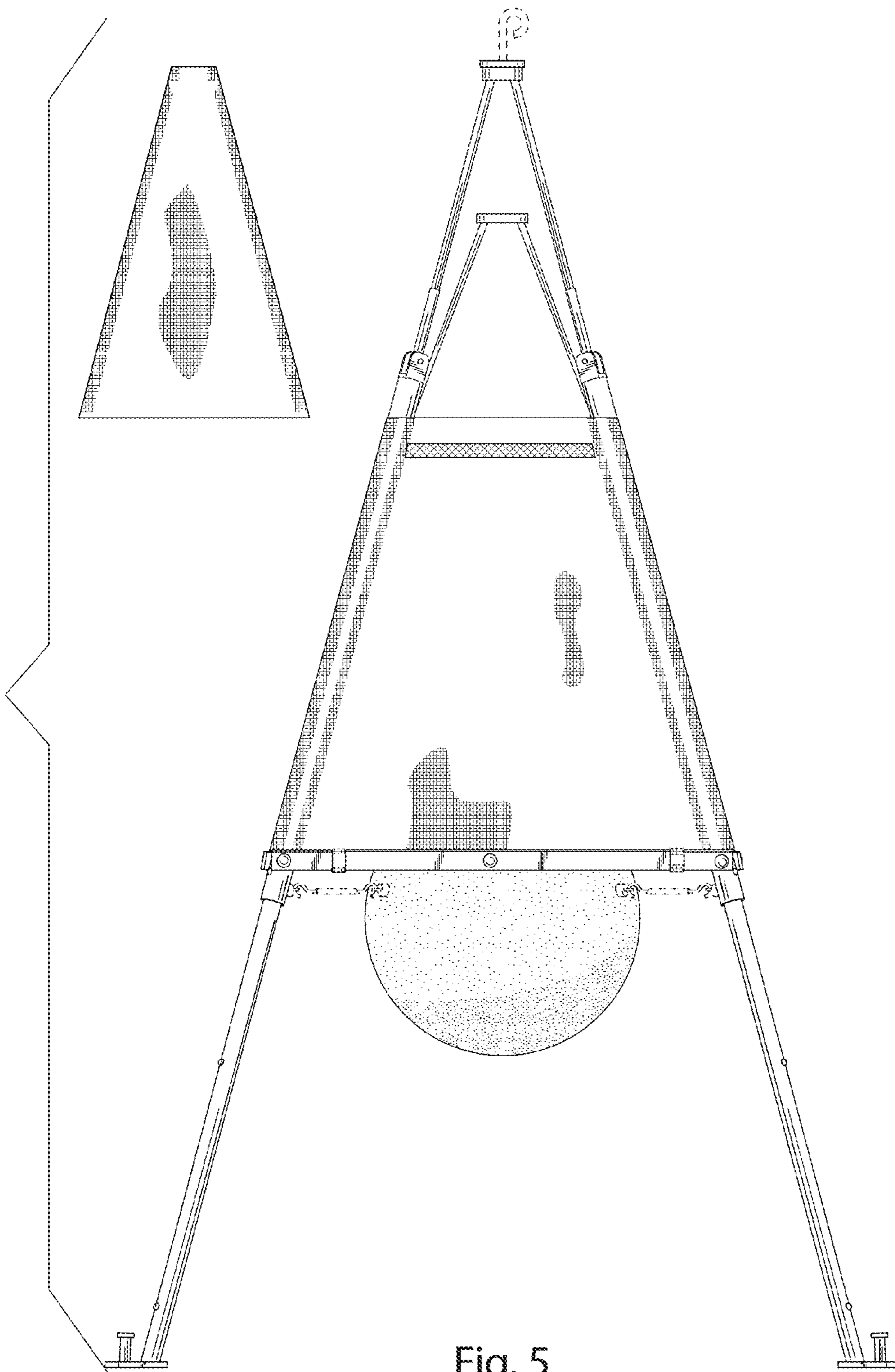


Fig. 4



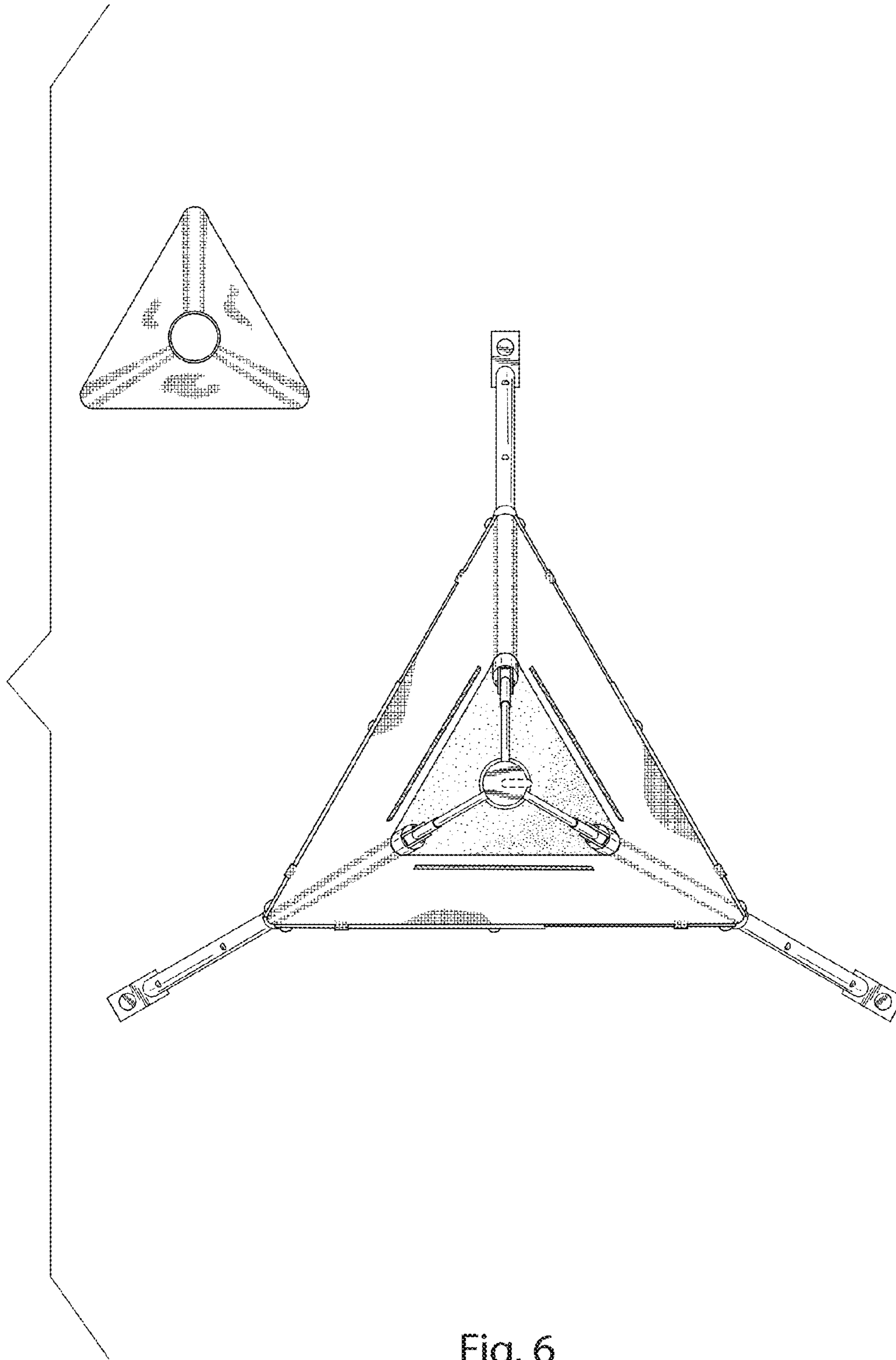


Fig. 6

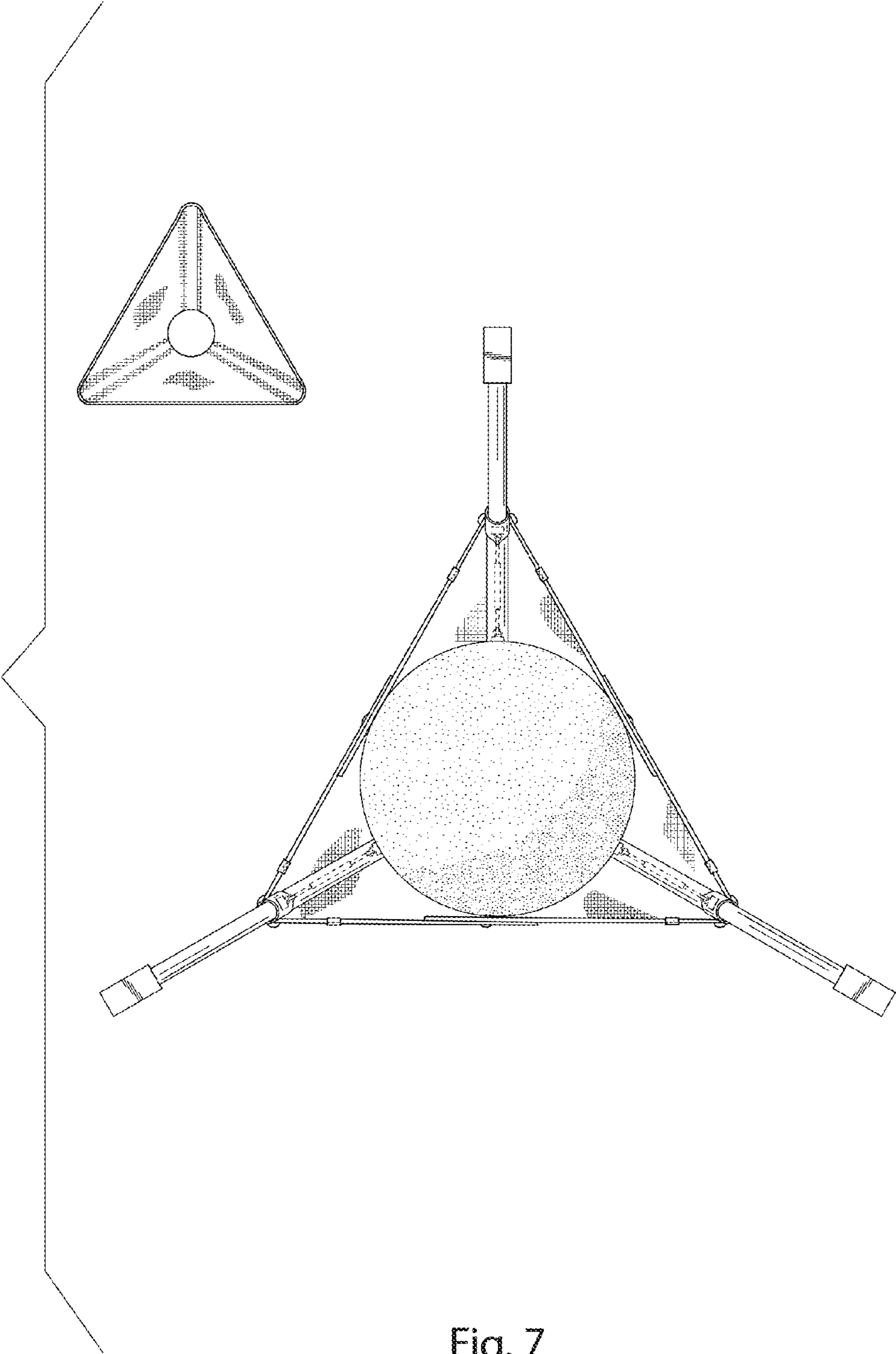


Fig. 7

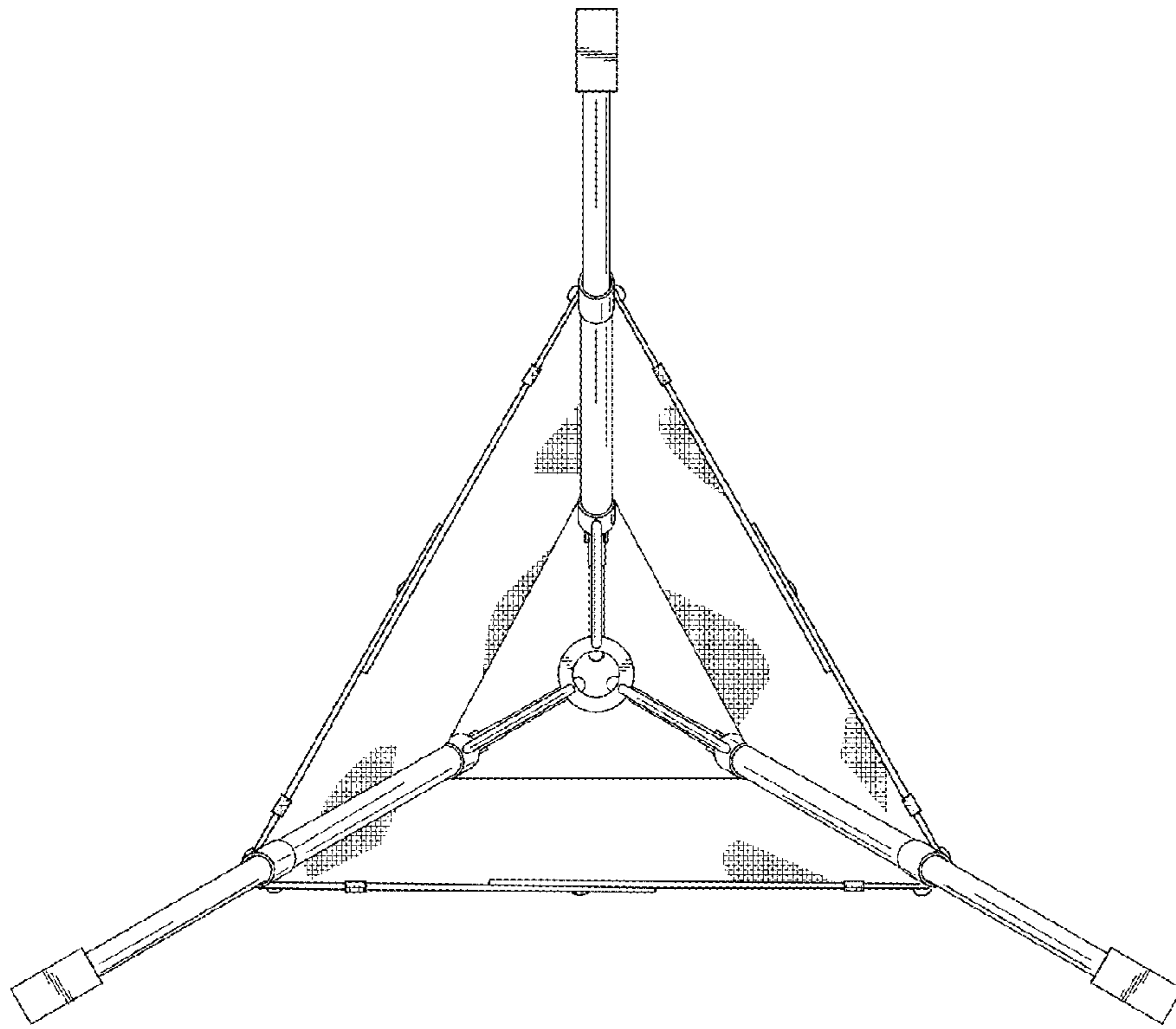


Fig. 8