



US00D694354S

(12) **United States Design Patent**  
**Underwood**

(10) **Patent No.:** **US D694,354 S**

(45) **Date of Patent:** **\*\* Nov. 26, 2013**

(54) **FIREARM CHARGING HANDLE**

(76) Inventor: **Joshua A. Underwood**, Salem, OR (US)

(\*\*) Term: **14 Years**

(21) Appl. No.: **29/416,613**

(22) Filed: **Mar. 23, 2012**

(51) **LOC (9) Cl.** ..... **22-01**

(52) **U.S. Cl.**  
USPC ..... **D22/108**

(58) **Field of Classification Search**  
USPC ..... D22/108; D21/572-575; 42/51, 71.01,  
42/75.01, 75.02, 90, 94, 134, 136, 139,  
42/125, 72, 111; 89/40.06, 41.19, 37.04,  
89/33.04, 191.01, 200-204; 124/67, 66,  
124/72, 74

See application file for complete search history.

(56) **References Cited**

**U.S. PATENT DOCUMENTS**

3,225,653	A	12/1965	Packard	
4,521,985	A	6/1985	Smith et al.	
4,834,437	A	5/1989	Howard, Sr.	
4,835,892	A	6/1989	Ruger et al.	
5,109,752	A	5/1992	Yu	
7,240,600	B1	7/2007	Bordson	
7,707,921	B1	5/2010	Hoel	
7,832,322	B1 *	11/2010	Hoel	89/1.4
7,861,635	B1 *	1/2011	Hoel	89/1.4
7,900,546	B2	3/2011	Bordson	
8,104,393	B2	1/2012	Kincel	
8,156,854	B2 *	4/2012	Brown	89/1.4
8,261,649	B2 *	9/2012	Fitzpatrick et al.	89/1.4
8,336,436	B2	12/2012	Kincel	
8,356,537	B2	1/2013	Kincel	
2011/0005372	A1 *	1/2011	Kincel	89/1.4
2011/0214558	A1 *	9/2011	Kincel	89/1.4
2011/0265636	A1 *	11/2011	Overstreet et al.	89/1.4
2012/0167424	A1 *	7/2012	Gomez	42/14
2012/0167433	A1 *	7/2012	Robbins et al.	42/75.02

2012/0180355	A1 *	7/2012	Martin et al.	42/69.01
2012/0291612	A1 *	11/2012	Kincel	89/1.4
2012/0318124	A1 *	12/2012	Brown	89/1.4

**OTHER PUBLICATIONS**

United States Department of the Army, "Operator's Manual for Rifle, 5.56-MM, M16 (1005-00-856-6885); Rifle, 5.56-MM, M16A1 (1005-00-073-9421)", No. TM Sep. 1005-249-10 C2, Washington, D.C., May 11, 1990, 154 pages.

(Continued)

*Primary Examiner* — Michael A Pratt

(74) *Attorney, Agent, or Firm* — Stolowitz Ford Cowger LLP

(57) **CLAIM**

An ornamental design for the firearm charging handle, as shown and described.

**DESCRIPTION**

FIG. 1 is a perspective view of an embodiment of my firearm charging handle showing front, bottom, and side surfaces of the handle.

FIG. 2 is an enlarged perspective view of the firearm charging handle shown in FIG. 1.

FIG. 3 is a front view of the firearm charging handle shown in FIG. 1.

FIG. 4 is a back view of the firearm charging handle shown in FIG. 1.

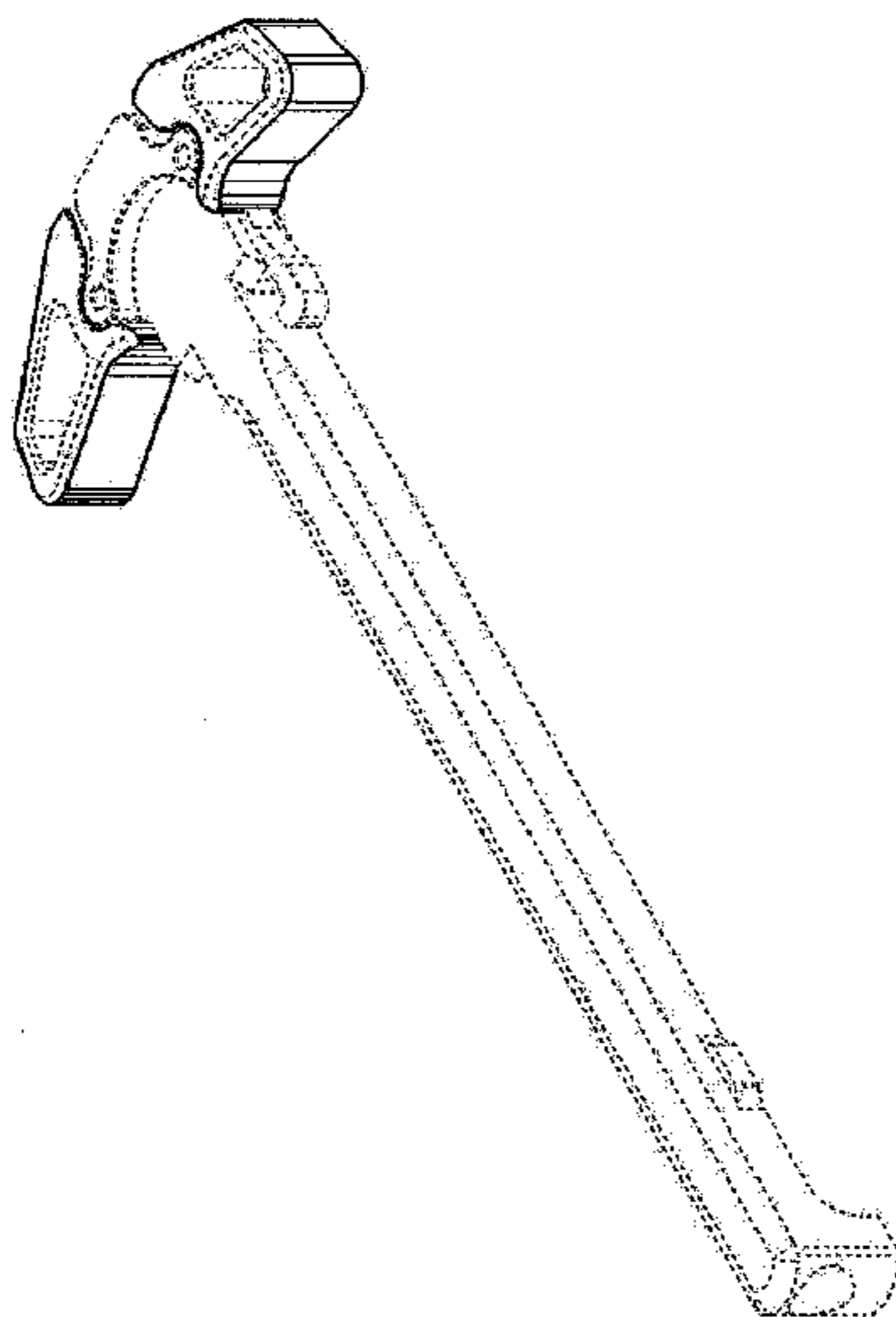
FIG. 5 is a first side view of the firearm charging handle shown in FIG. 1.

FIG. 6 is a second side view of the firearm charging handle shown in FIG. 1; and,

FIG. 7 is a top view of the firearm charging handle shown in FIG. 1.

The broken line showing is included for the purpose of illustrating portions of the article and forms no part of the claimed design.

**1 Claim, 5 Drawing Sheets**



(56)

**References Cited**

OTHER PUBLICATIONS

United States Department of the Army, "Operator's Manual for Rifle, 5.66 MM, M16A2 W/E (1005-01-128-9936) (EIC:4GM); Rifle, 5.56 MM, M16A3 (1005-01-367-5112); Rifle, 5.56 MM, M16A4 (1005-01-383-2872) (EIC:4F9); Carbine, 5.56 MM, M4 W/E (1005-01-

231-0973) (EIC:4FJ); Carbine, 5.56 MM, M4A1 (1005-01-382-0953) (EIC:4GC)", No. Army TM 9-1005-319-10, Washington, D.C., Oct. 1998, 230 pages.

United States Department of the Army, "FM 23-9", Washington, D.C., Jul. 3, 1989, 305 pages.

\* cited by examiner

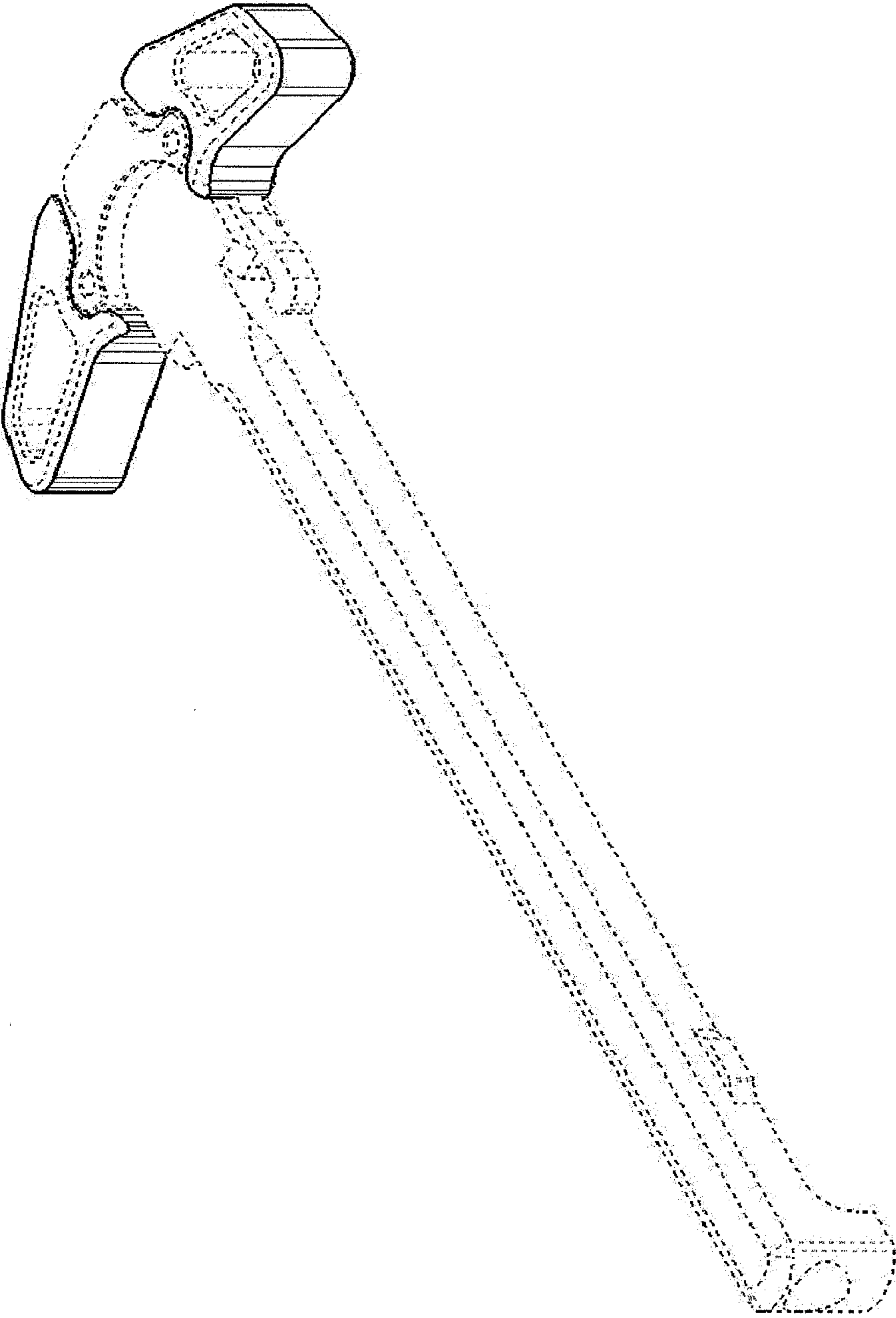


FIG. 1

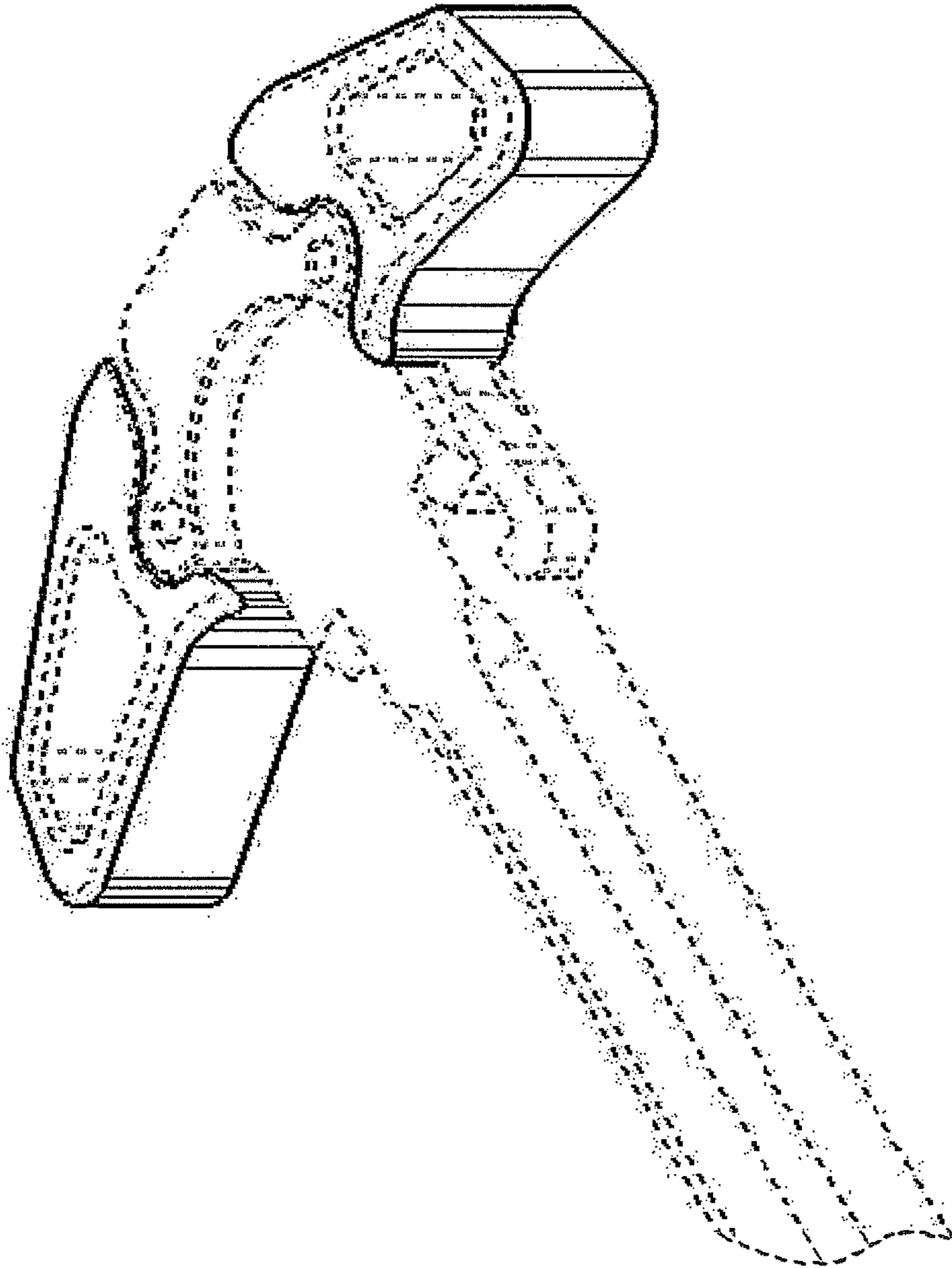


FIG. 2

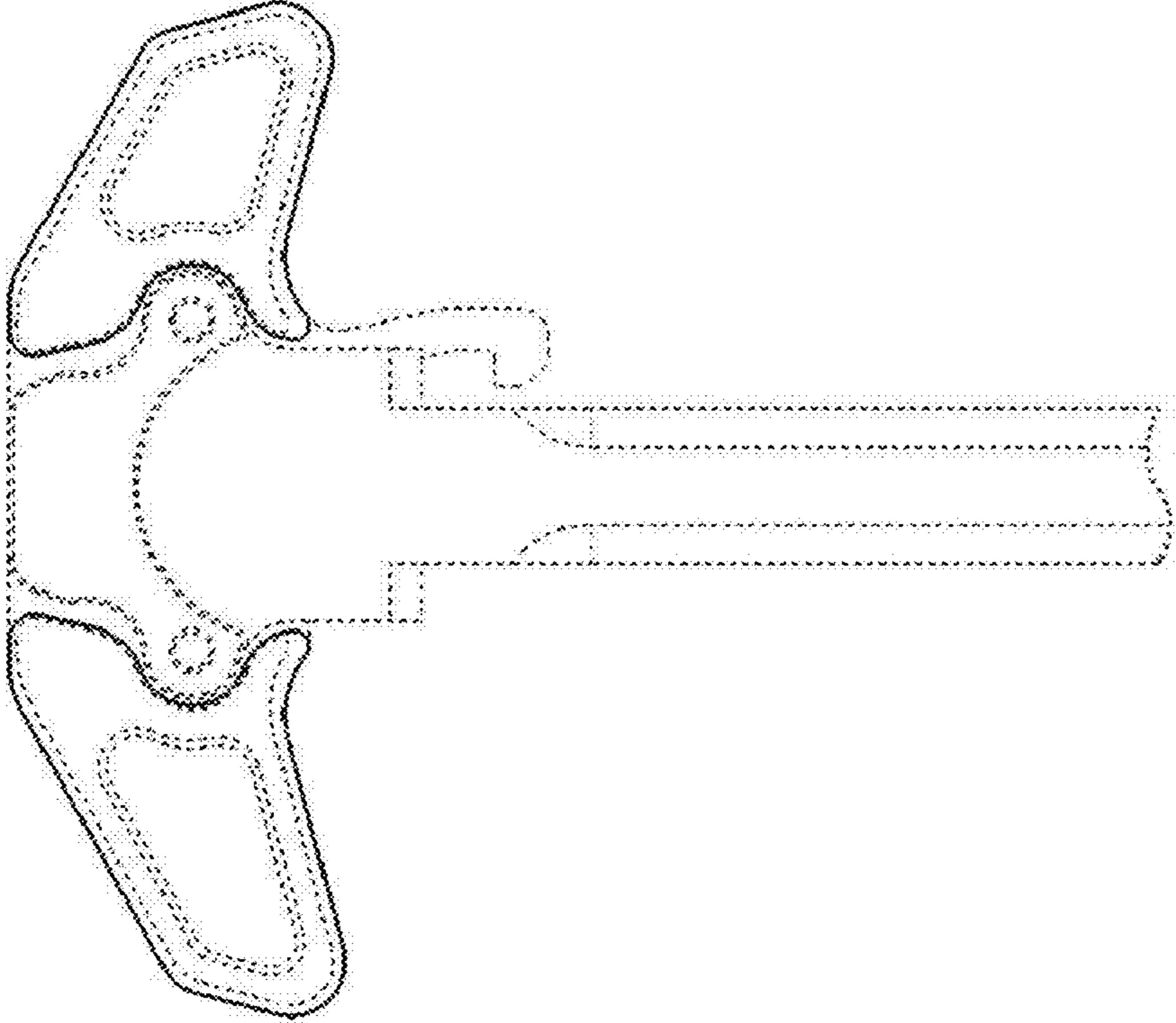


FIG. 3

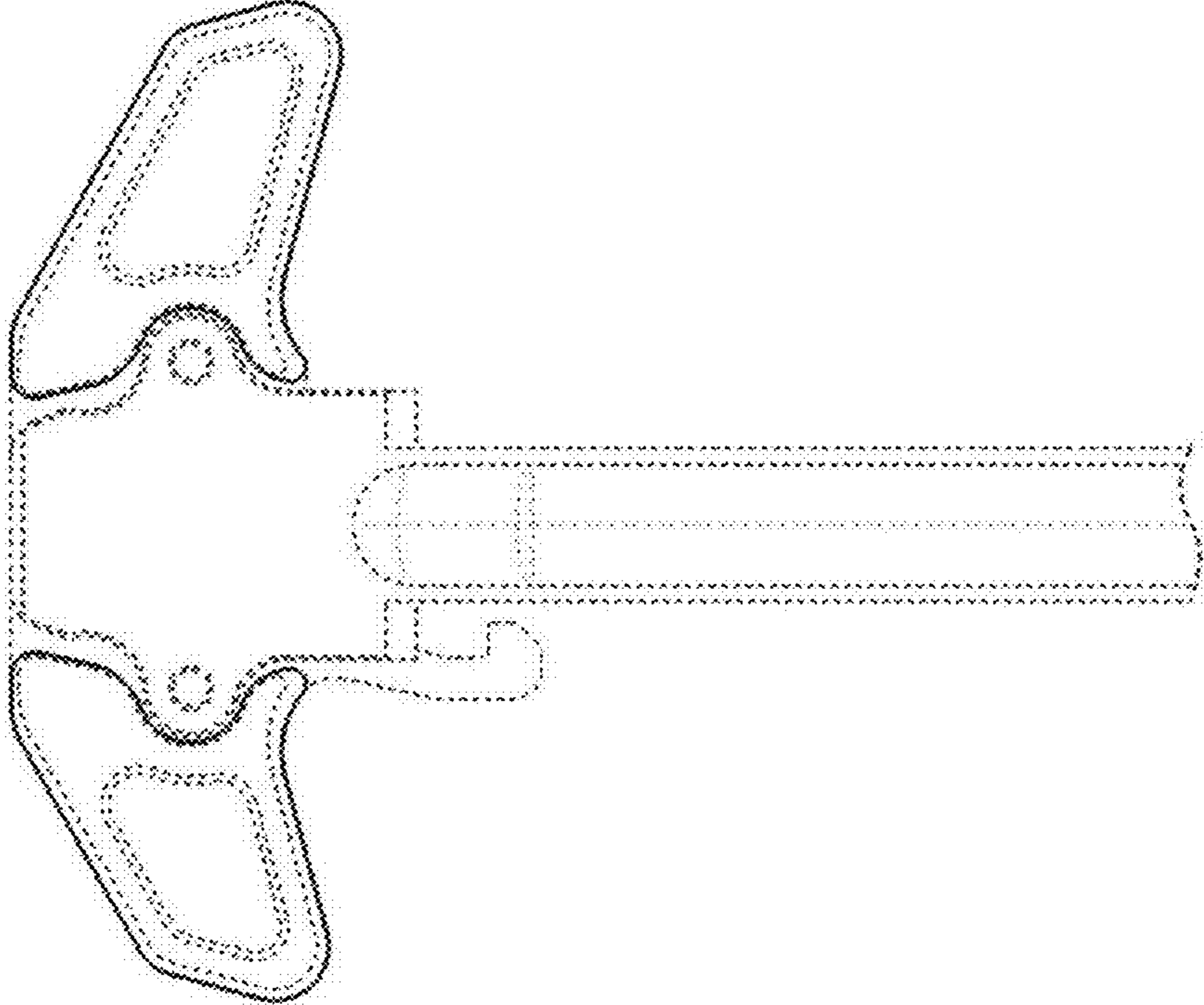


FIG. 4



FIG. 5

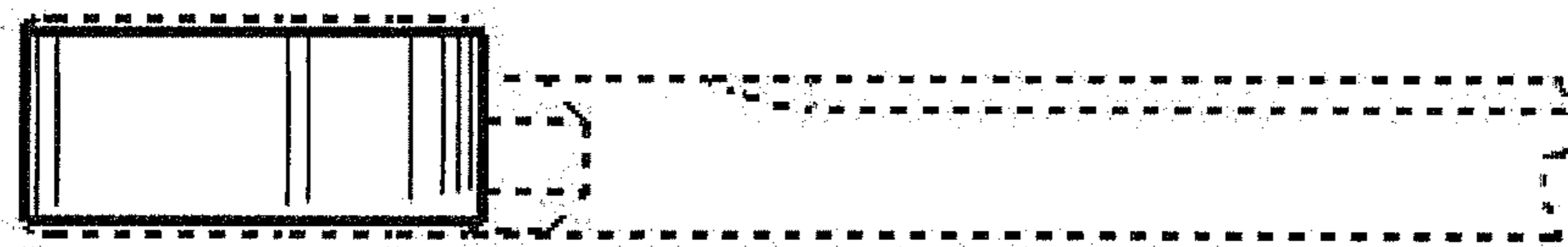


FIG. 6

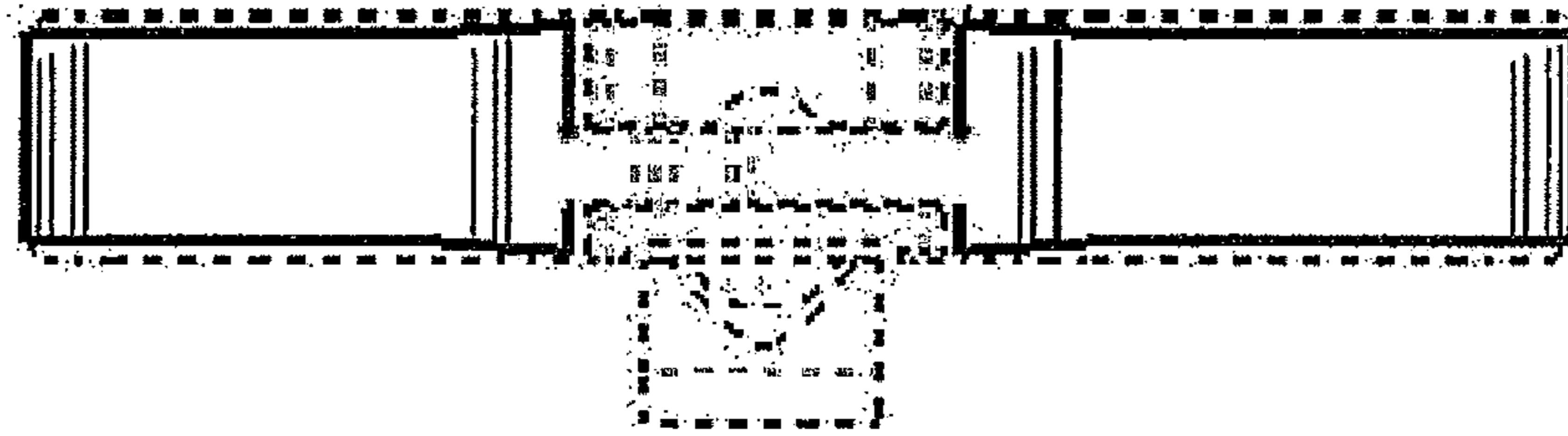


FIG. 7