



US00D694353S

(12) **United States Design Patent**
Barnett

(10) **Patent No.:** **US D694,353 S**

(45) **Date of Patent:** **** Nov. 26, 2013**

(54) **CAM COVER FOR COMPOUND BOW**

(75) Inventor: **David A. Barnett**, Tarpon Springs, FL (US)

(73) Assignee: **Barnett Outdoors, LLC**, Tarpon Springs, FL (US)

(**) Term: **14 Years**

(21) Appl. No.: **29/426,807**

(22) Filed: **Jul. 11, 2012**

(51) **LOC (9) Cl.** **22-01**

(52) **U.S. Cl.**
USPC **D22/107**

(58) **Field of Classification Search**
USPC D22/107; 124/23.1, 25.6, 86, 88;
D21/572

See application file for complete search history.

(56) **References Cited**

U.S. PATENT DOCUMENTS

3,059,629 A * 10/1962 Stinson 124/23.1
6,684,874 B2 * 2/2004 Mizek et al. 124/89

(Continued)

Primary Examiner — Michael A Pratt

(74) *Attorney, Agent, or Firm* — Jones Walker LLP

(57) **CLAIM**

The ornamental design for a cam cover for compound bow, as shown and described.

DESCRIPTION

FIG. 1 is a top perspective view of a first embodiment showing a compound bow with my new cam cover design, which includes the cam sheet and the cam sheet backing plate, with the cam cover being attached to the cam of the compound bow.

FIG. 2 is a top perspective view of the new cam sheet seen in FIG. 1.

FIG. 3 is a top view of the cam sheet seen in FIG. 2.

FIG. 4 is a first side view of the cam sheet seen in FIG. 2.

FIG. 5 is a second side view of the cam sheet seen in FIG. 2.

FIG. 6 is a third side view of the cam sheet seen in FIG. 2.

FIG. 7 is a fourth side view of the cam sheet seen in FIG. 2.

FIG. 8 is a bottom perspective view of the cam sheet seen in FIG. 2.

FIG. 9 is a perspective view of the cam sheet mounted on the backing plate.

FIG. 10 is a top view of the cam sheet and backing plate seen in FIG. 9.

FIG. 11 is a first side view of the cam sheet and backing plate seen in FIG. 9.

FIG. 12 is a second side view of the cam sheet and backing plate seen in FIG. 9.

FIG. 13 is a third side view of the cam sheet and backing plate seen in FIG. 9.

FIG. 14 is a fourth side view of the cam sheet and backing plate seen in FIG. 9.

FIG. 15 is a bottom view of the cam sheet and backing plate seen in FIG. 9.

FIG. 16 is a perspective view of the cam cover, which includes the cam sheet and backing plate, attached to the cam of the compound bow.

FIG. 17 is a top view of the cam cover attached to the cam seen in FIG. 16.

FIG. 18 is a first side view of the cam cover attached to the cam seen in FIG. 16.

FIG. 19 is a second side view of the cam cover attached to the cam seen in FIG. 16.

FIG. 20 is a third side view of the cam cover attached to the cam seen in FIG. 16.

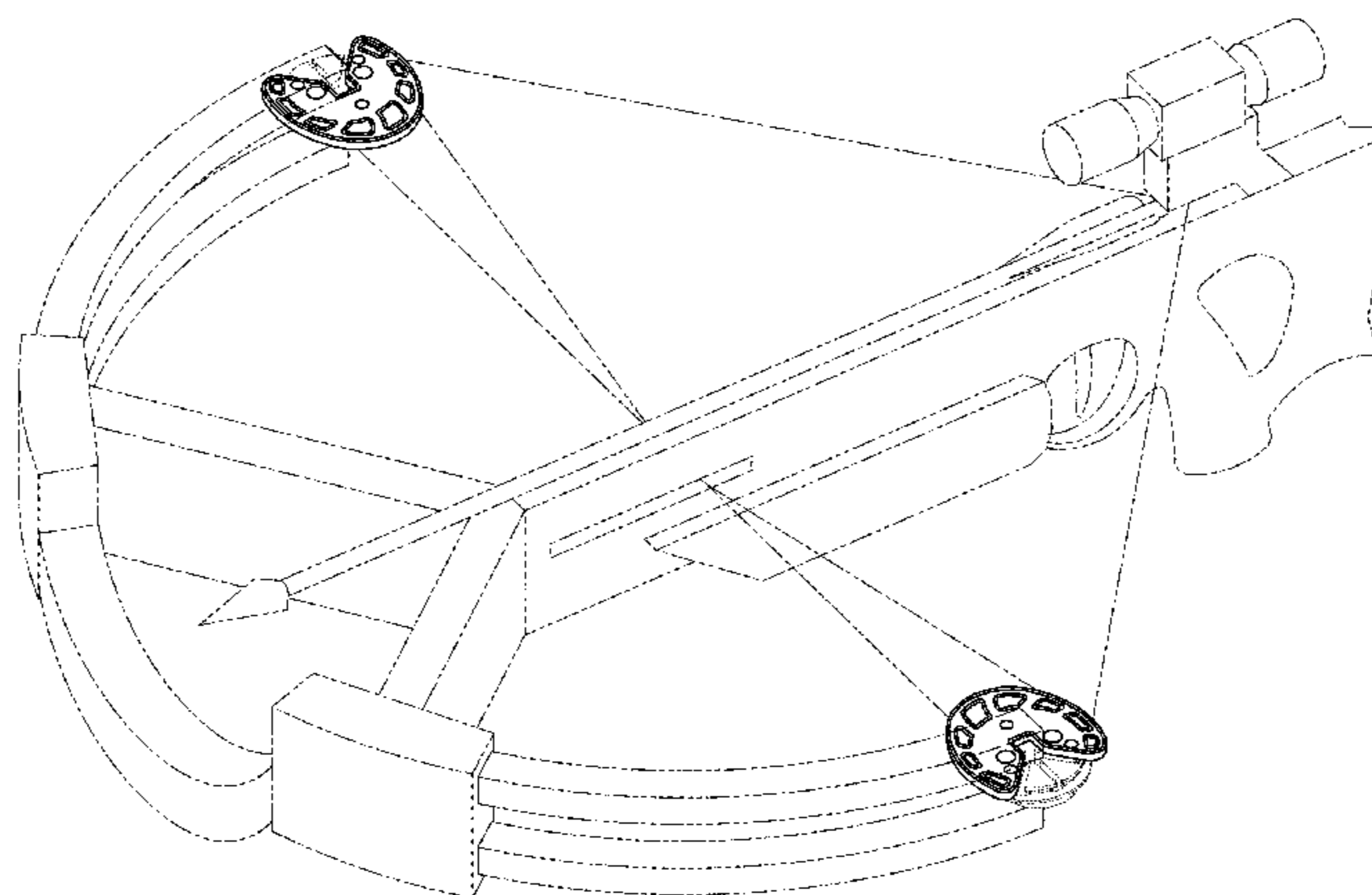
FIG. 21 is a fourth side view of the cam cover attached to the cam seen in FIG. 16.

FIG. 22 is a bottom view of the cam cover attached to the cam seen in FIG. 16; and,

FIG. 23 is a side perspective view of a second embodiment showing my design of a cam cover design with a second compound bow.

The broken lines in FIGS. 1-23 are for illustrative purposes only and form no part of the claimed design.

1 Claim, 8 Drawing Sheets



(56)

References Cited

U.S. PATENT DOCUMENTS

6,910,472 B2 *	6/2005	Mizek et al.	124/89	8,469,012 B2 *	6/2013	Bednar et al.	124/25
7,188,615 B2 *	3/2007	Chang	124/25.6	8,479,719 B2 *	7/2013	Bednar et al.	124/25
8,028,685 B2 *	10/2011	Clark	124/25.6	2011/0247602 A1 *	10/2011	McPherson	124/25.6
8,453,631 B1 *	6/2013	Kronengold et al.	124/25	2012/0000452 A1 *	1/2012	McPherson et al.	124/25.6
				2013/0000621 A1 *	1/2013	Grace	124/25.6

* cited by examiner

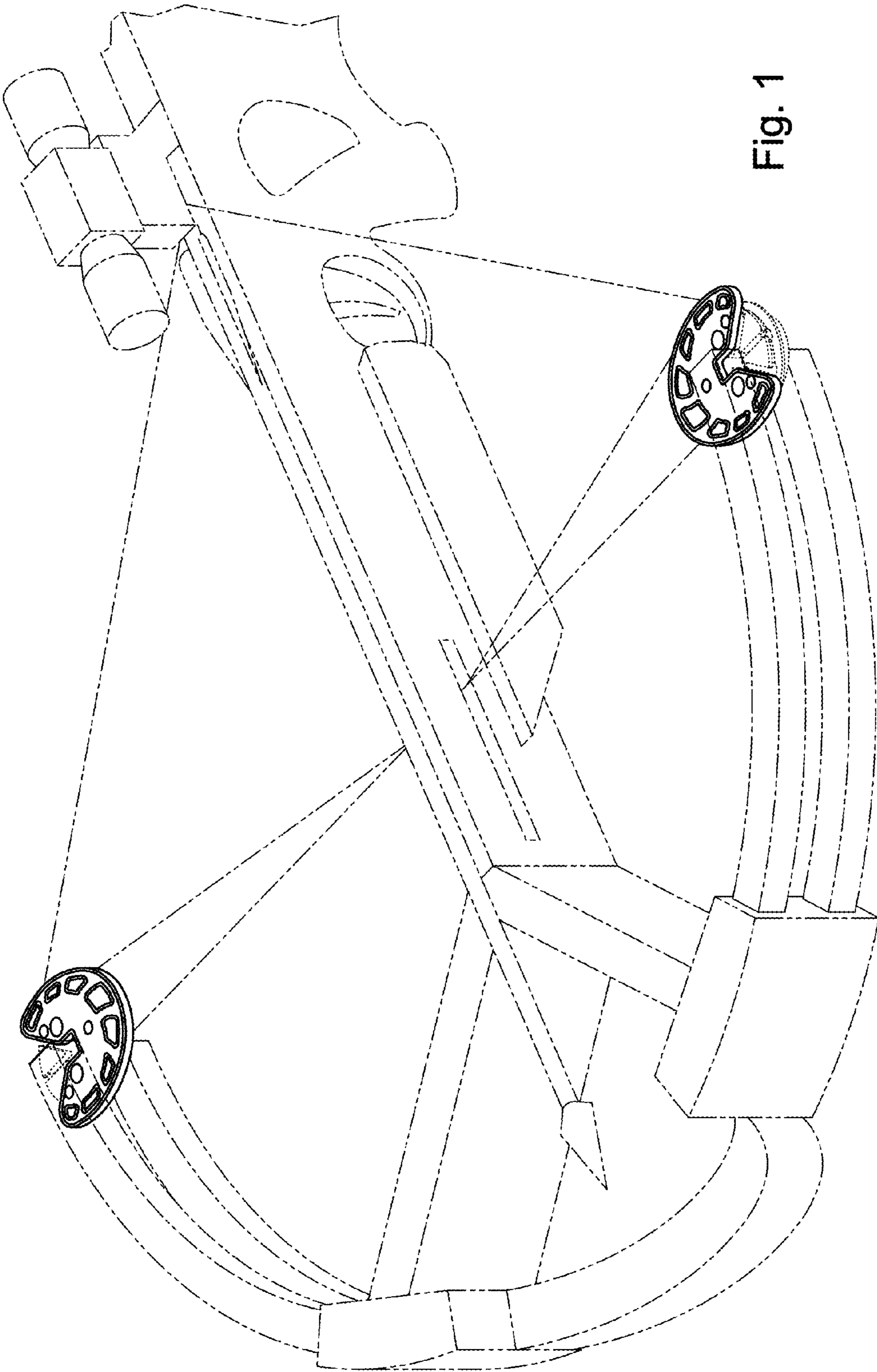


Fig. 1

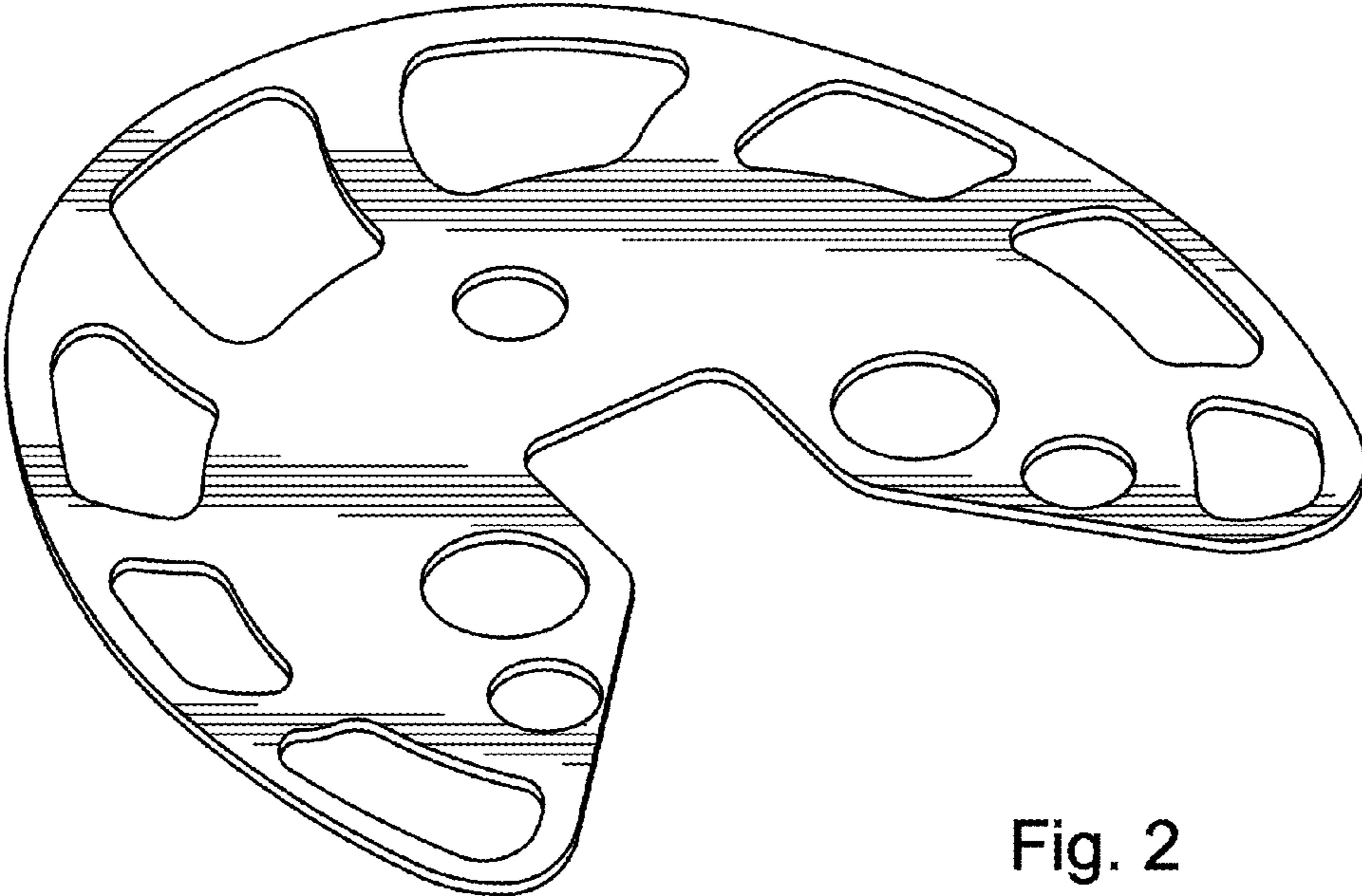


Fig. 2

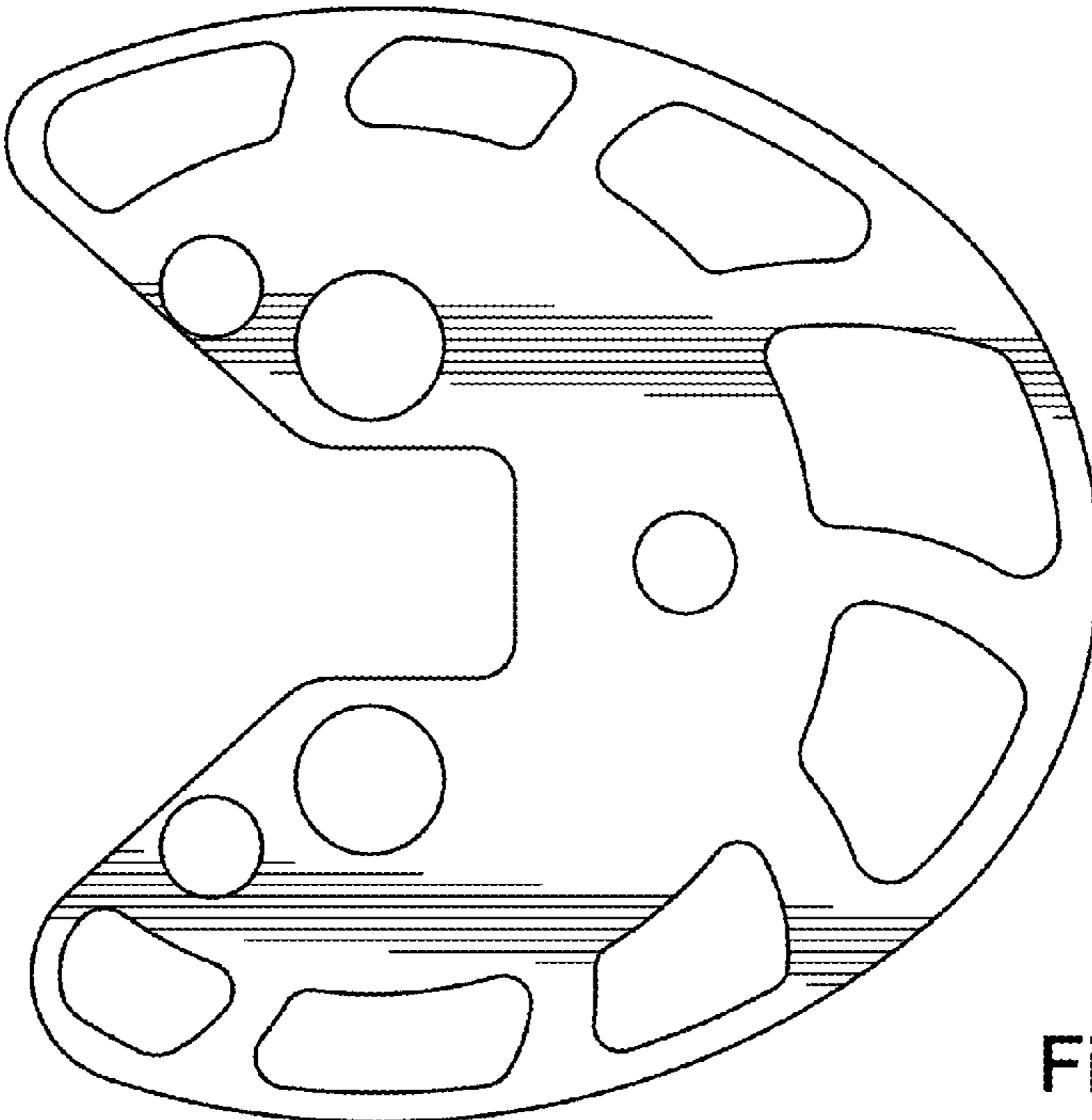


Fig. 3

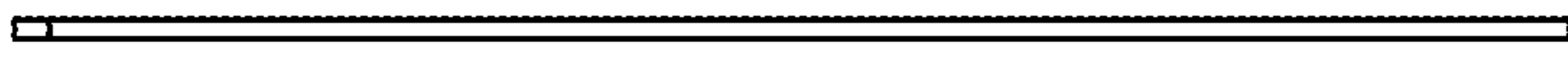


Fig. 4

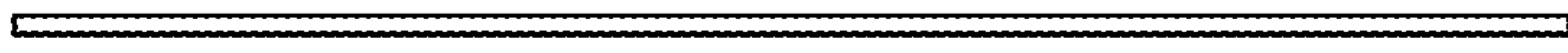


Fig. 5

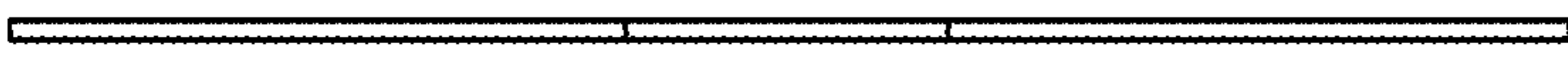


Fig. 6

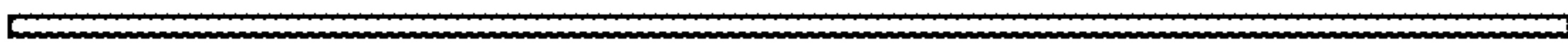


Fig. 7

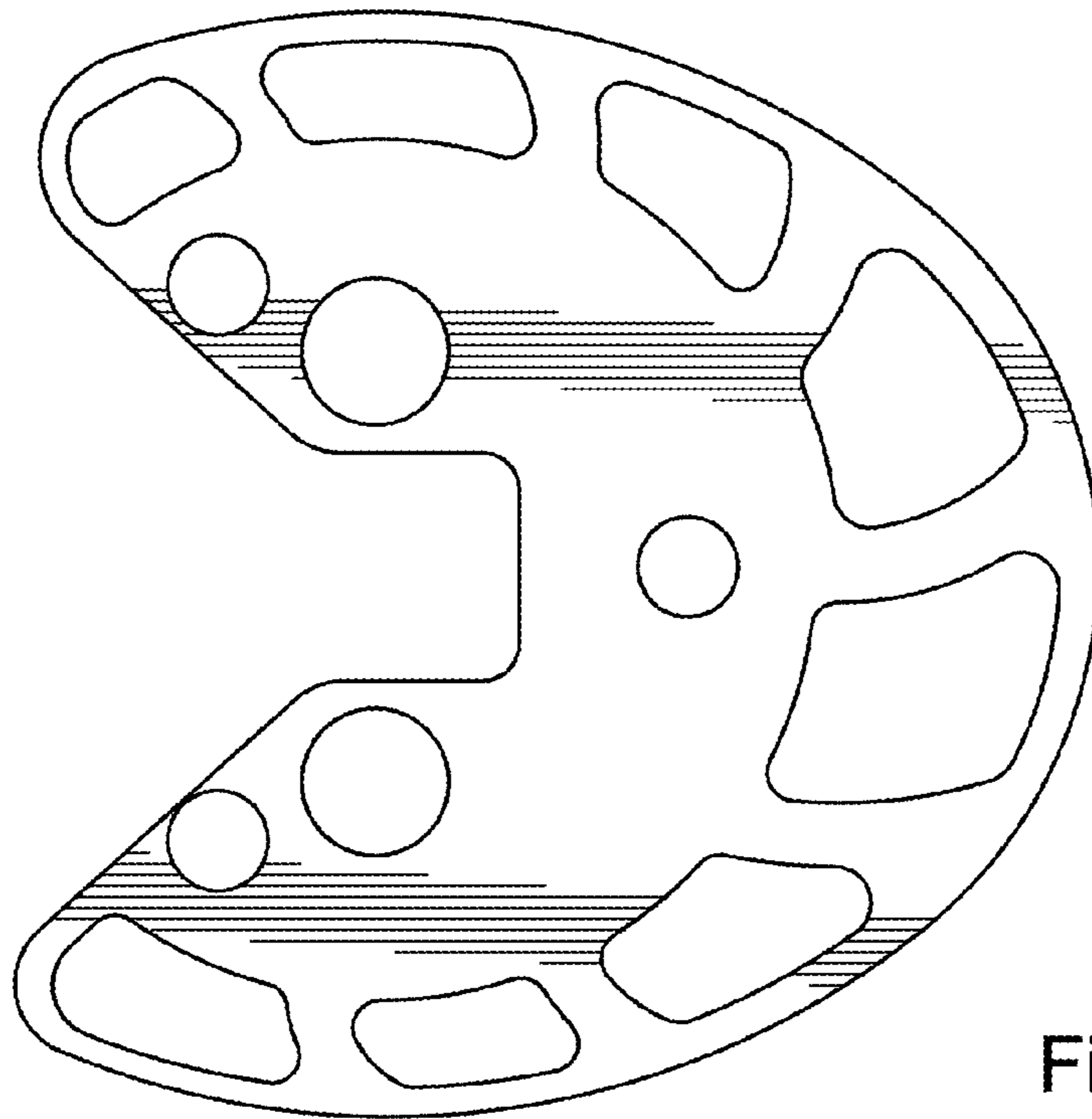


Fig. 8

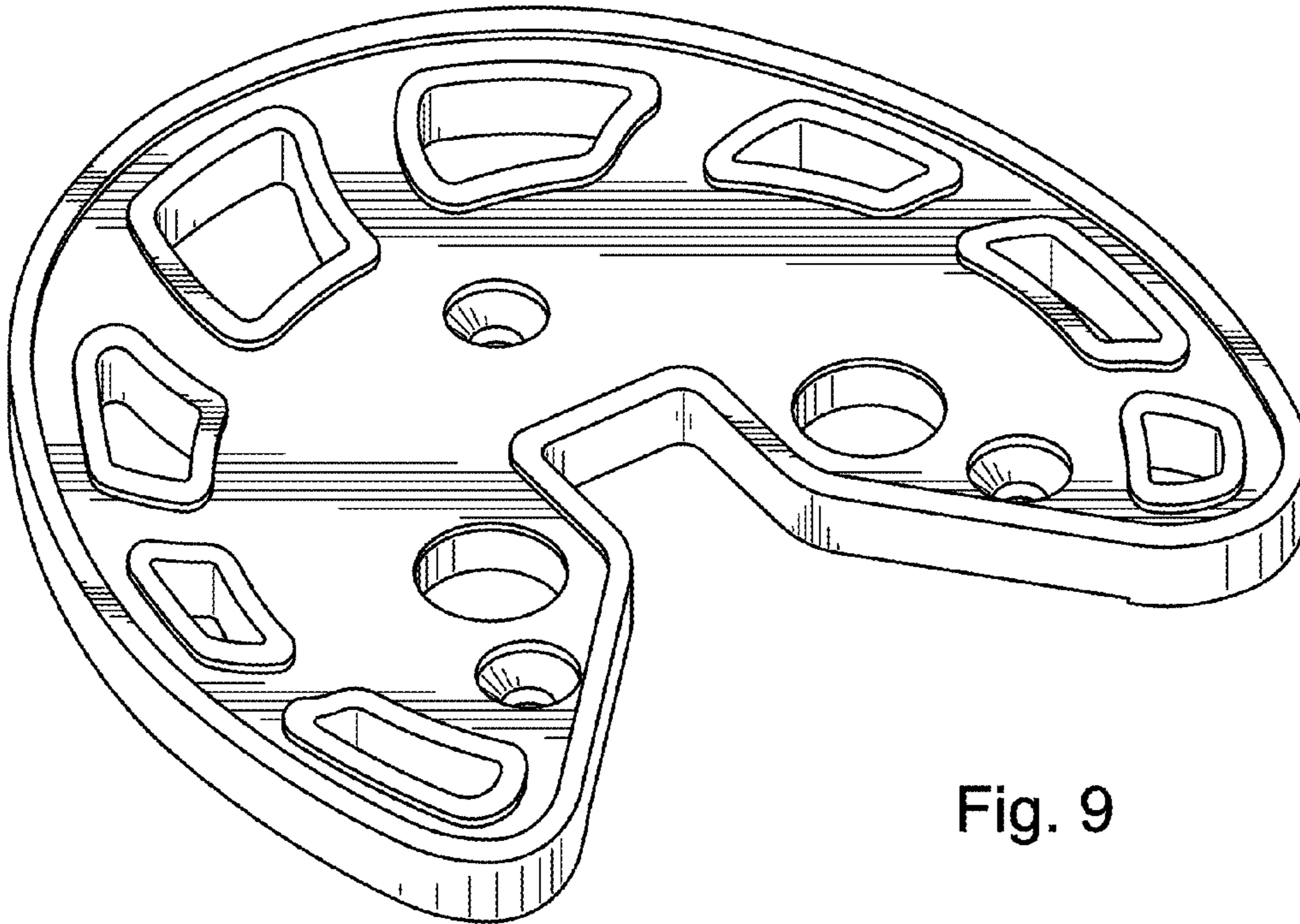


Fig. 9

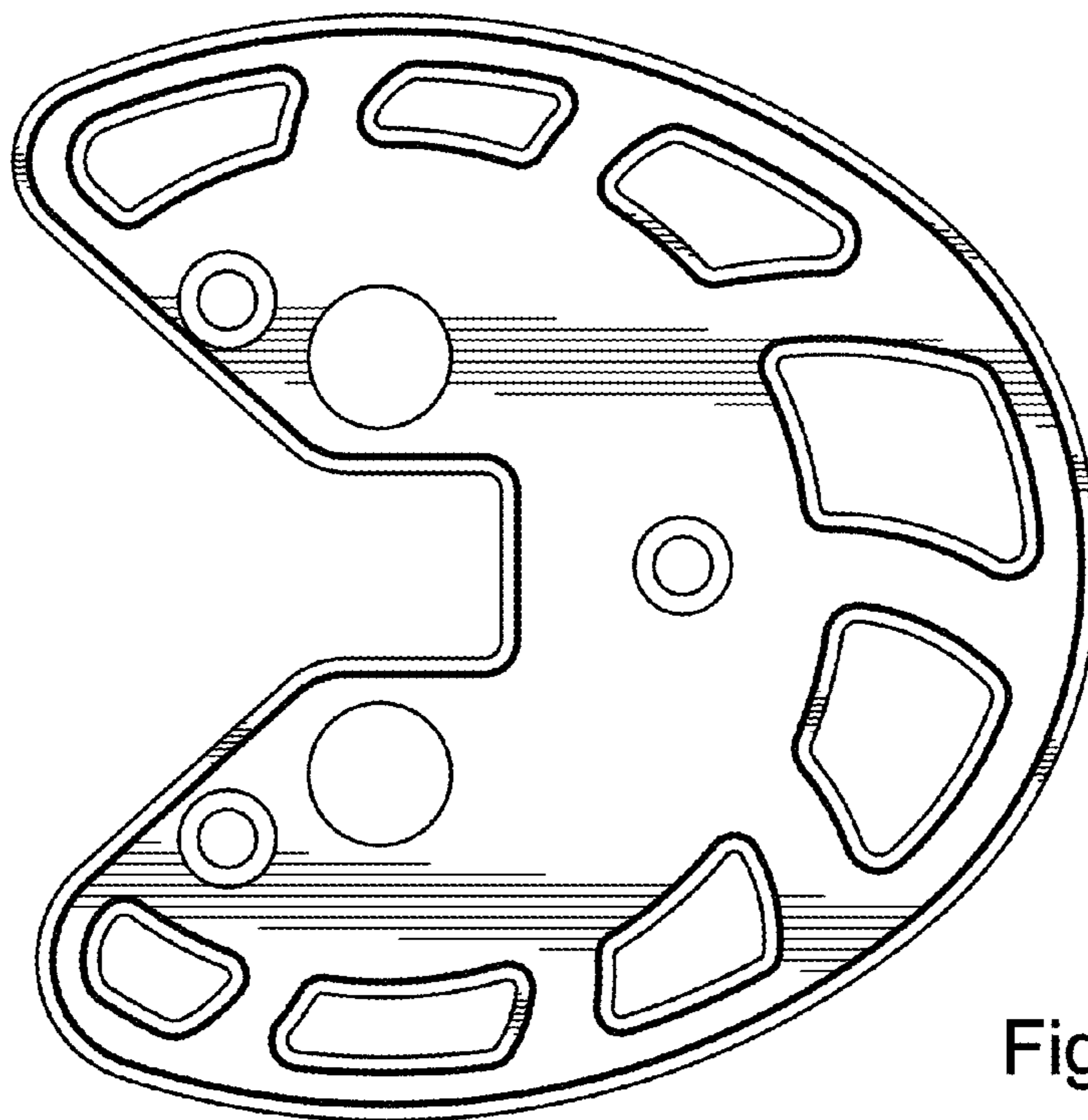


Fig. 10



Fig. 11



Fig. 12



Fig. 13



Fig. 14

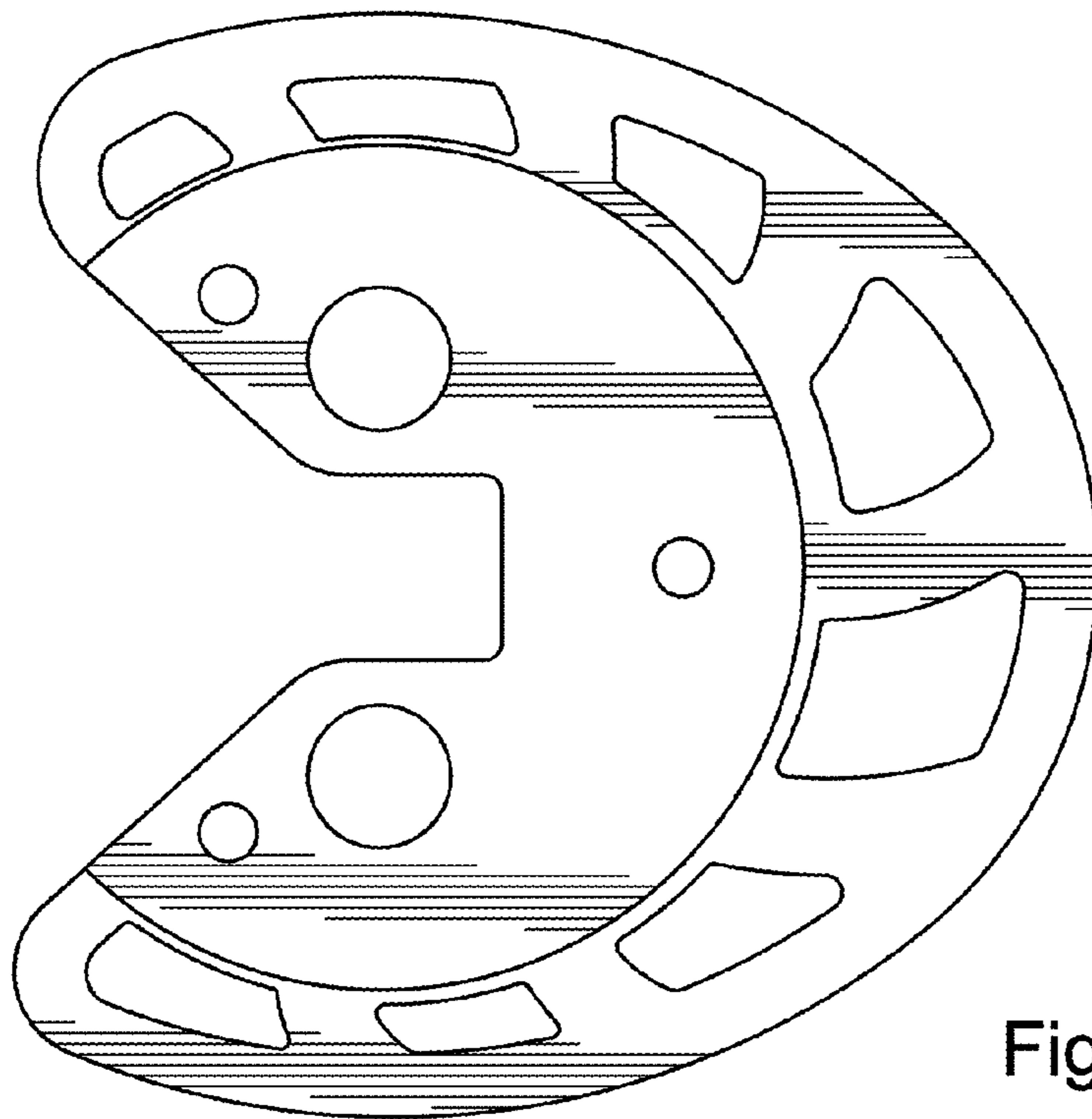


Fig. 15

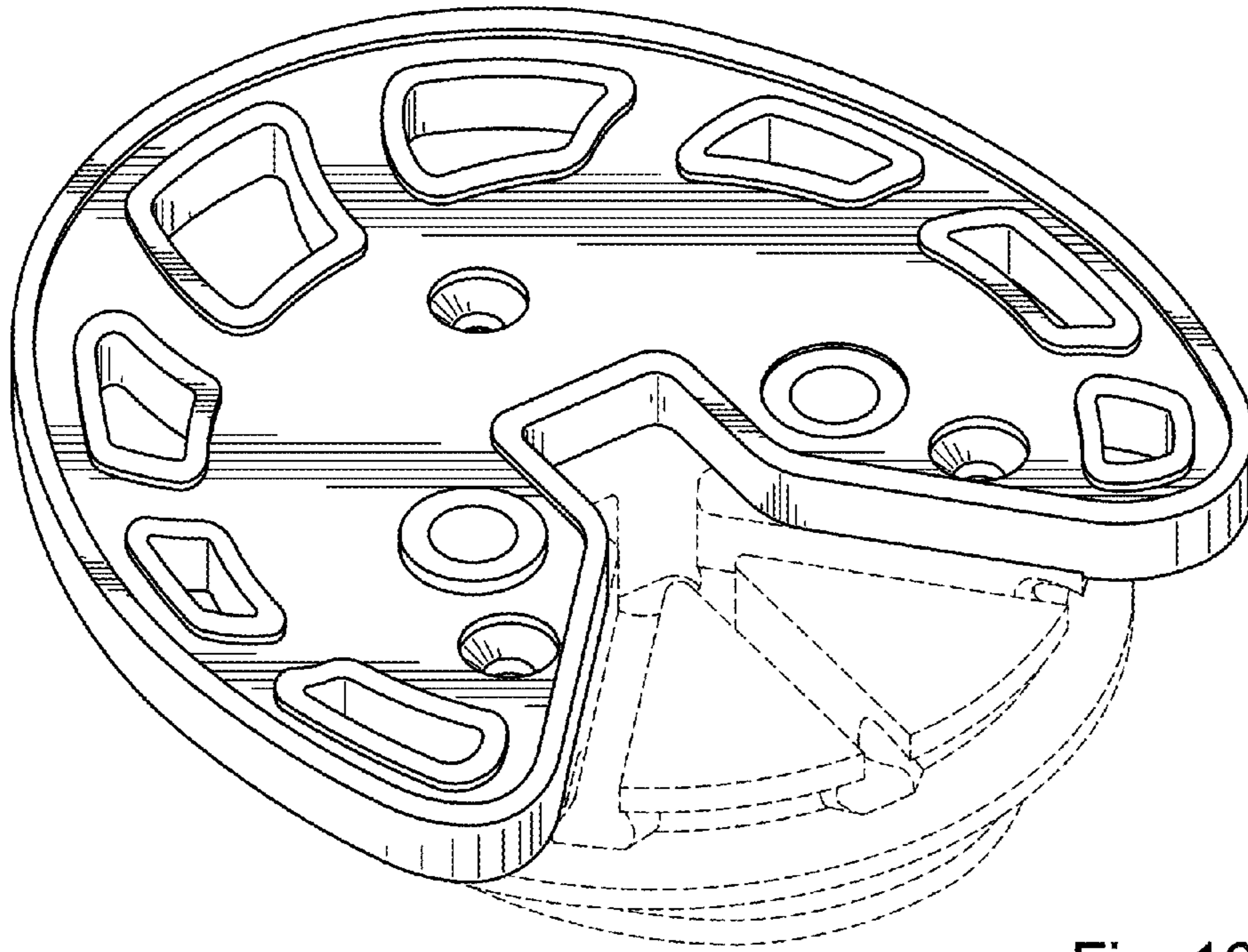


Fig. 16

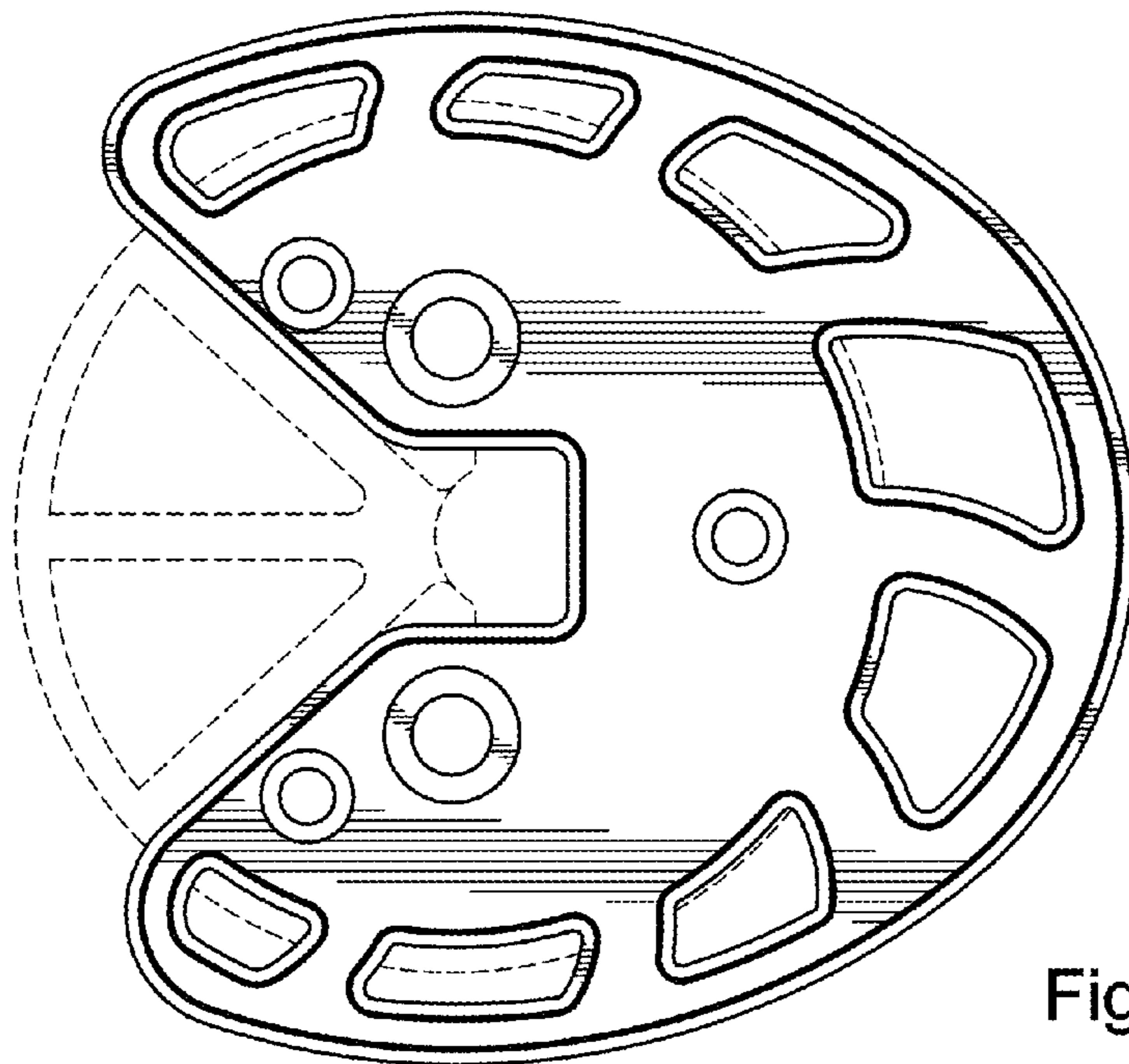


Fig. 17

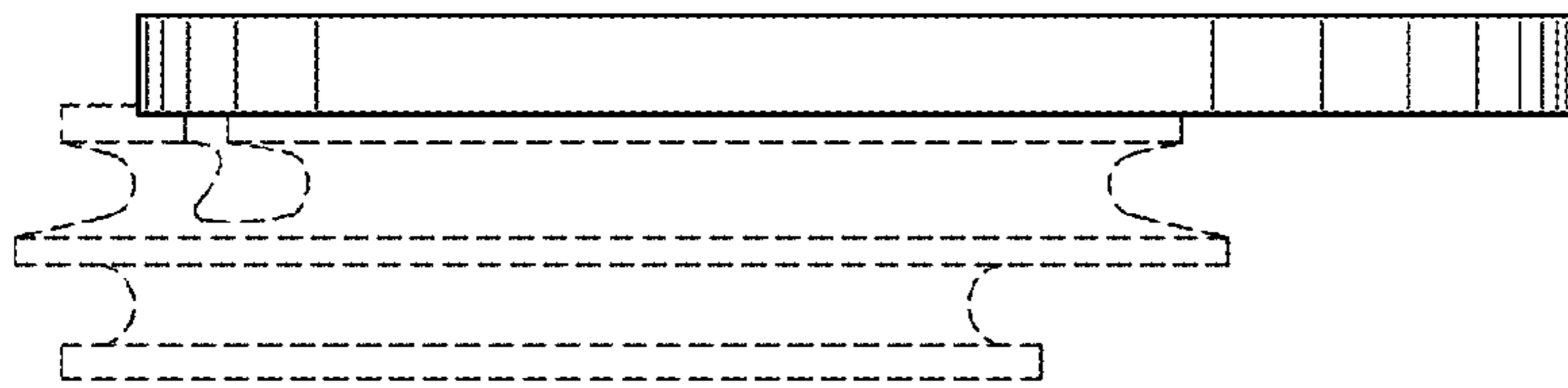


Fig. 18

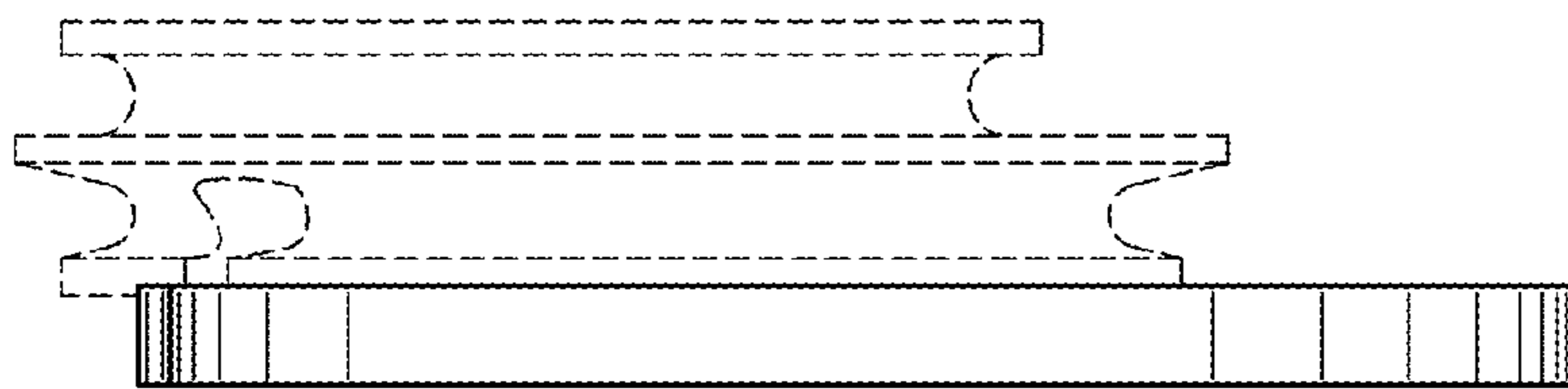


Fig. 19

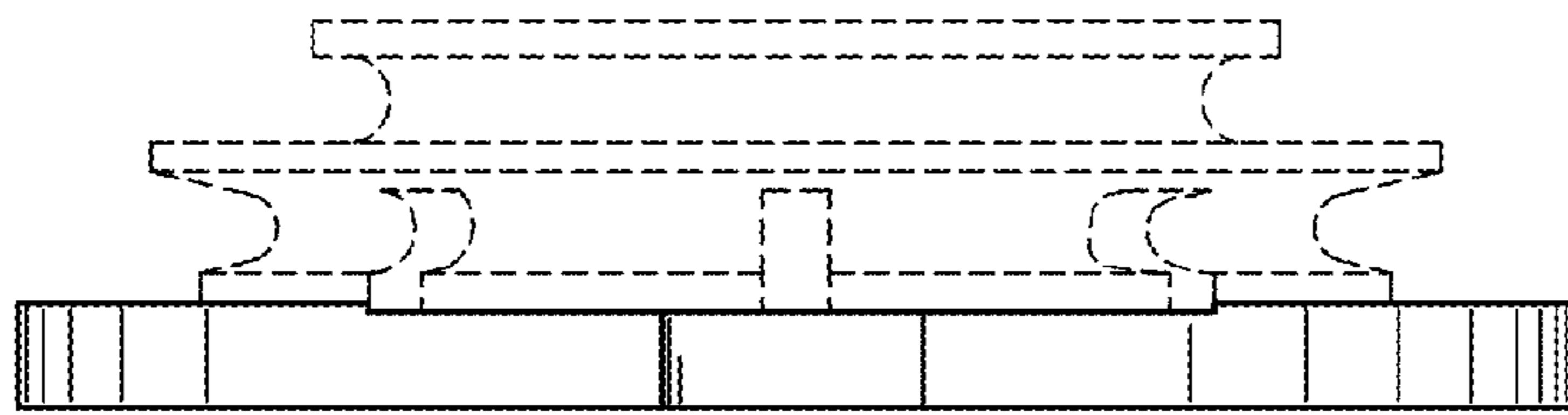


Fig. 20

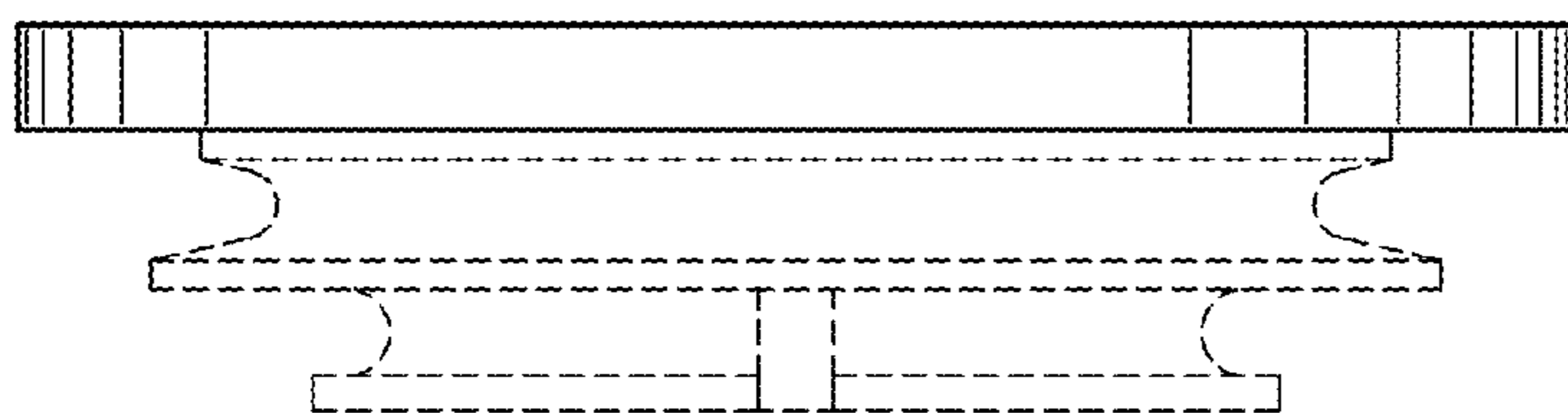


Fig. 21

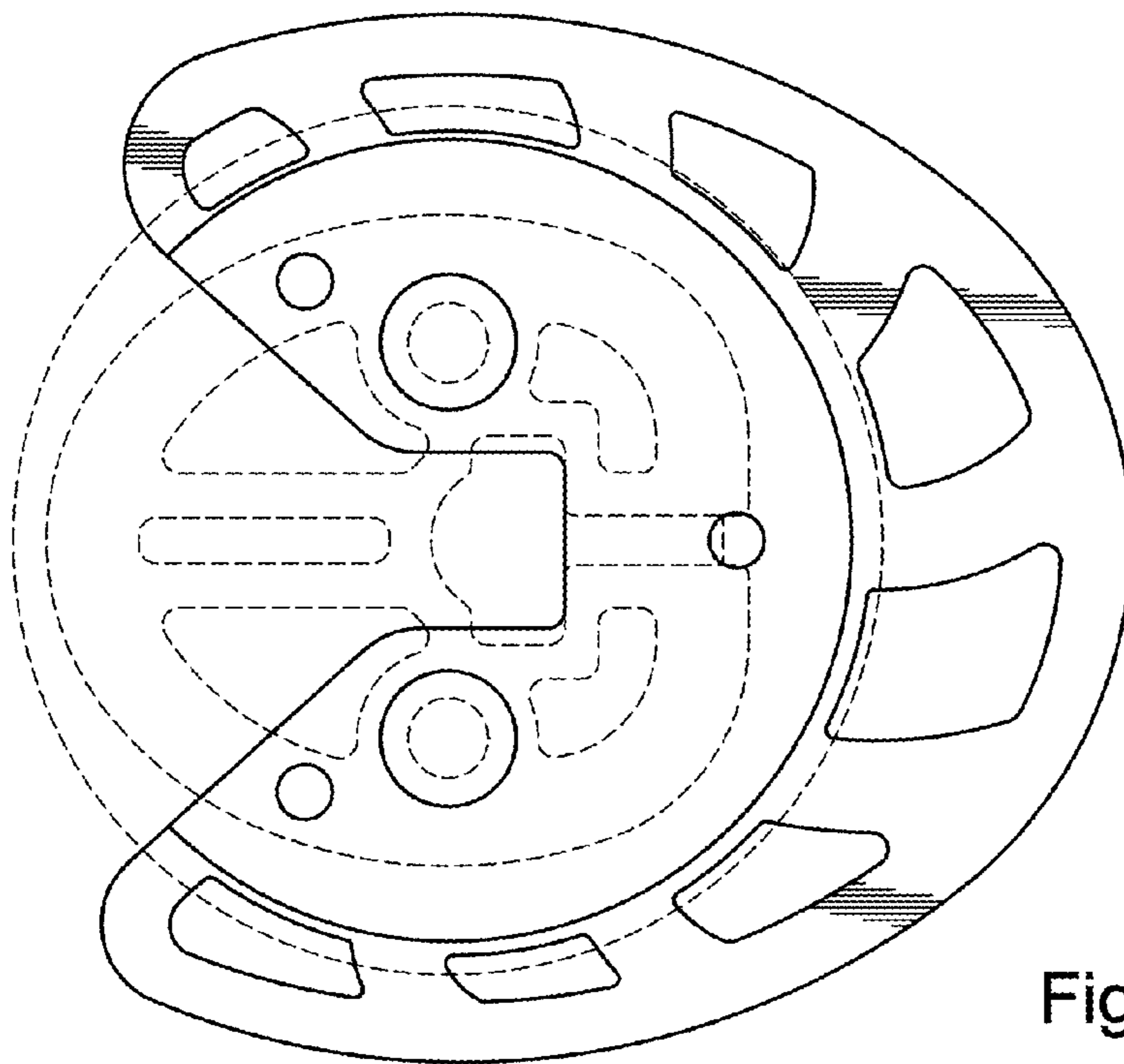


Fig. 22

Fig. 23

