



US00D694352S

(12) **United States Design Patent**
Emde

(10) **Patent No.:** **US D694,352 S**

(45) **Date of Patent:** **** *Nov. 26, 2013**

(54) **SEMI-AUTOMATIC FIREARM**
(75) Inventor: **Dietmar Emde, Arnsberg (DE)**
(73) Assignee: **German Sport Guns GmbH, Ense-Hoingen (DE)**
(*) Notice: This patent is subject to a terminal disclaimer.
(**) Term: **14 Years**

6,508,027	B1 *	1/2003	Kim	42/124
7,596,900	B2 *	10/2009	Robinson et al.	42/7
7,685,758	B2 *	3/2010	Romer	42/124
D653,300	S *	1/2012	Emde	D22/103
8,176,827	B2 *	5/2012	Emde	89/1.4
D667,072	S *	9/2012	Kriegleder	D22/103
D671,183	S *	11/2012	Lucansky	D22/103
D680,611	S *	4/2013	Emde et al.	D22/103
2008/0187888	A1 *	8/2008	Jones et al.	434/21
2012/0144712	A1 *	6/2012	Rostocil	42/16
2012/0167424	A1 *	7/2012	Gomez	42/14

(21) Appl. No.: **29/356,706**
(22) Filed: **Mar. 2, 2010**

(30) **Foreign Application Priority Data**
Sep. 2, 2009 (EM) 001606781
(51) **LOC (9) Cl.** **22-01**
(52) **U.S. Cl.**
USPC **D22/103**
(58) **Field of Classification Search**
USPC D22/100, 101, 103, 104, 108, 199;
D21/572, 573; 42/51, 71.01, 75.01,
42/75.02, 90, 94, 134, 136, 139, 125, 72,
42/111; 362/110; 33/241, 277; 313/105 R;
89/40.06, 41.19, 37.04, 33.04, 191.01,
89/200-204; 124/67, 66, 72, 74
See application file for complete search history.

FOREIGN PATENT DOCUMENTS

DE 3130562 A1 * 2/1983

* cited by examiner

Primary Examiner — Michael A Pratt
(74) *Attorney, Agent, or Firm* — Kevin J. McNeely;
McNeely, Hare & War LLP

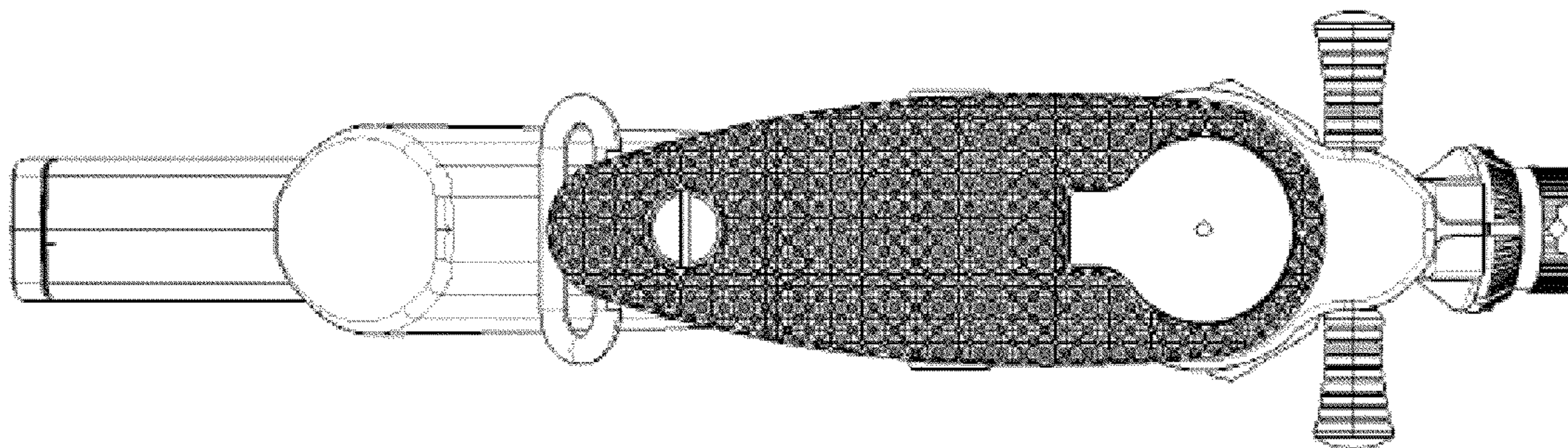
(56) **References Cited**
U.S. PATENT DOCUMENTS
3,777,381 A * 12/1973 Moller et al. 42/143
4,523,509 A * 6/1985 Thevis et al. 89/129.02

(57) **CLAIM**
I claim, the ornamental design for semi-automatic firearm, as shown and described.

DESCRIPTION

FIG. 1 is a back view of a semi-automatic firearm, showing my new design;
FIG. 2 is a left view thereof;
FIG. 3 is a top view thereof;
FIG. 4 is a right view thereof;
FIG. 5 is a bottom view thereof; and,
FIG. 6 is a front view thereof.

1 Claim, 6 Drawing Sheets



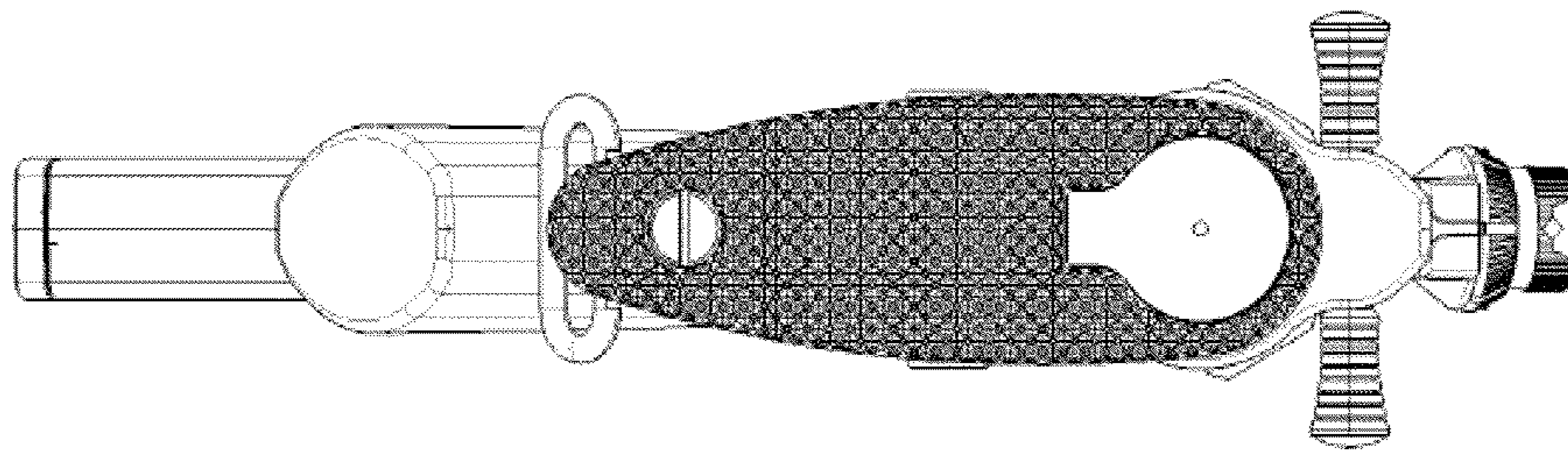


FIG. 1

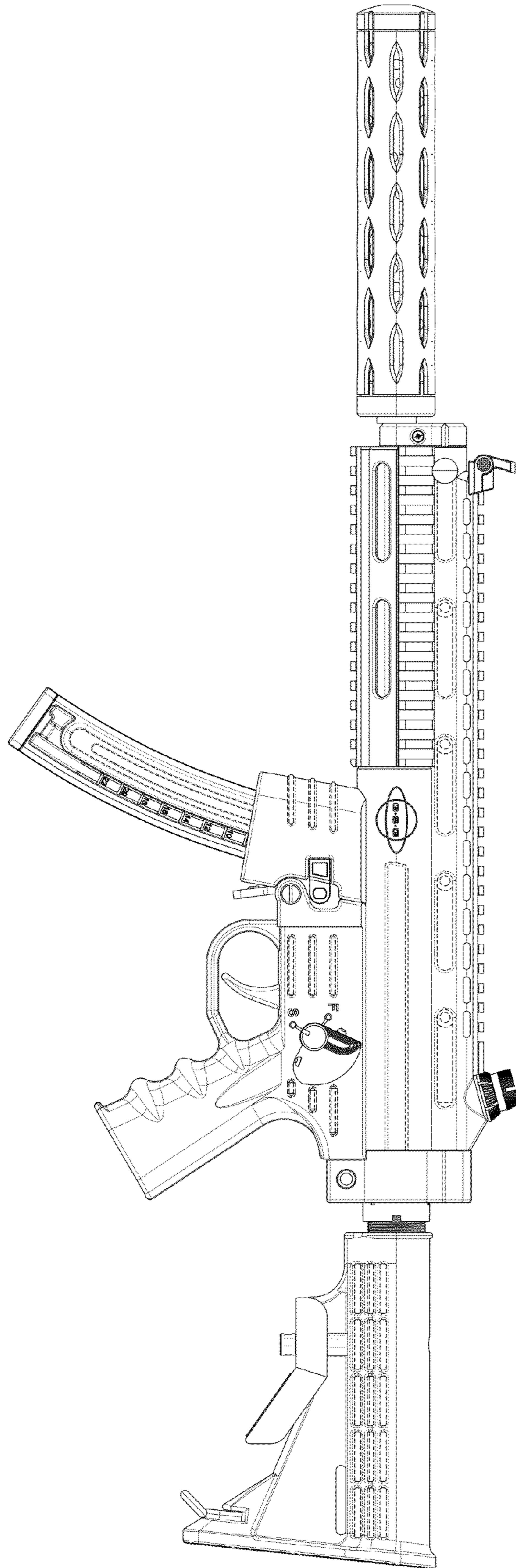


FIG. 2

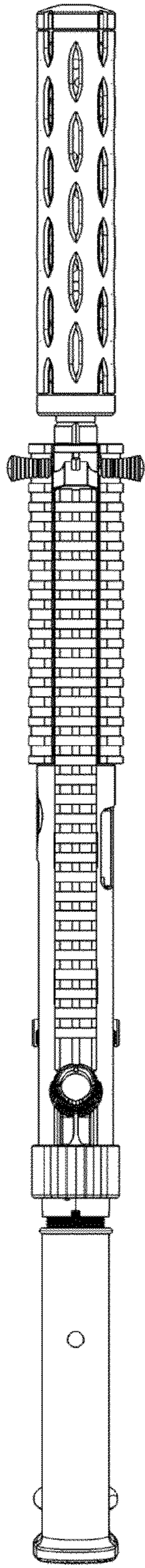


FIG. 3

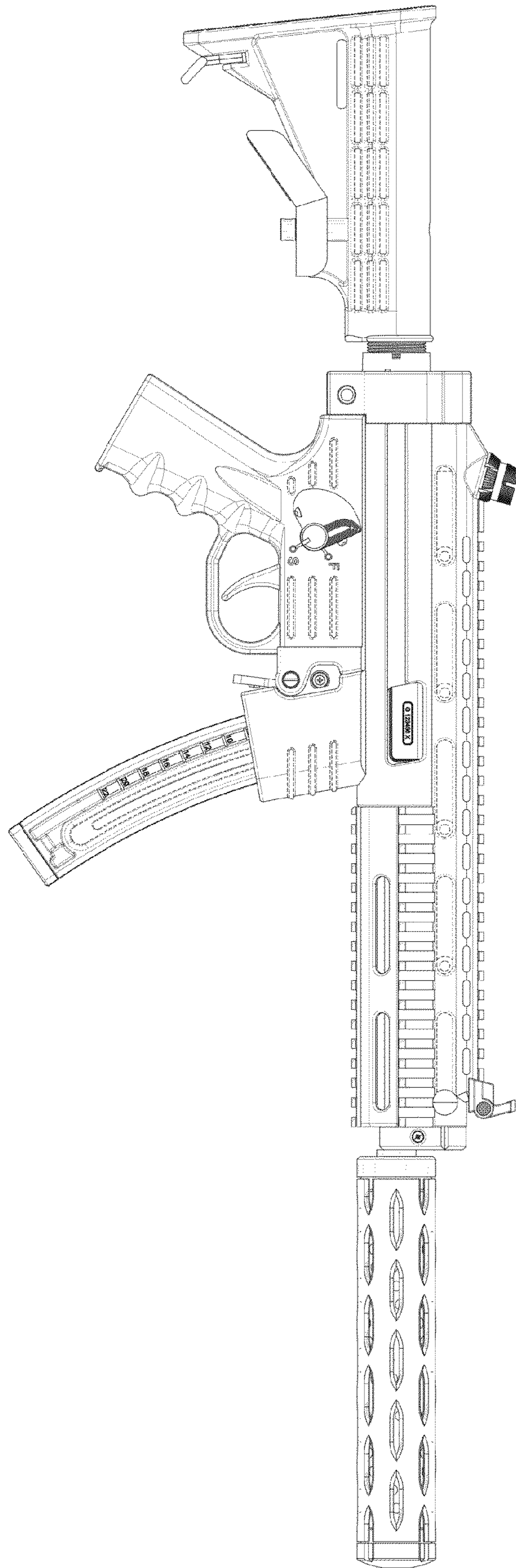


FIG. 4

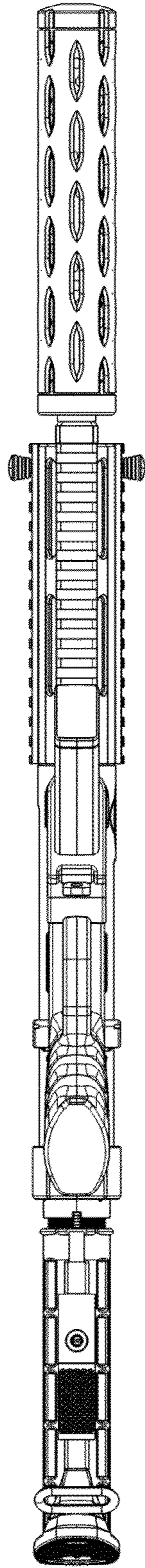


FIG. 5

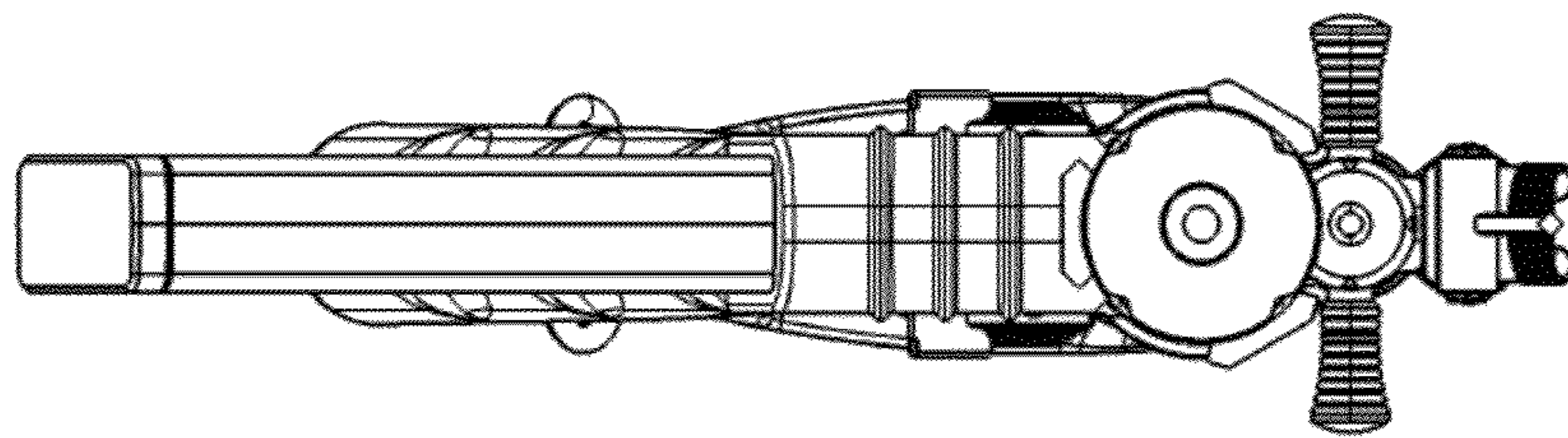


FIG. 6