



US00D694349S

(12) **United States Design Patent**  
**Chen**

(10) **Patent No.:** **US D694,349 S**

(45) **Date of Patent:** **\*\* Nov. 26, 2013**

(54) **BALANCING EXERCISER**

(76) Inventor: **Paul Chen**, Richmond (CA)

(\*\*) Term: **14 Years**

(21) Appl. No.: **29/395,716**

(22) Filed: **Mar. 16, 2012**

(51) **LOC (9) Cl.** ..... **21-02**

(52) **U.S. Cl.**  
USPC ..... **D21/688**; D21/686

(58) **Field of Classification Search**  
USPC ..... D21/662, 668, 669, 670, 671, 686, 688,  
D21/689, 694; D24/200, 215; 601/23, 29,  
601/46, 49, 51, 66, 70, 90; 482/27, 51, 71,  
482/78, 130, 145-147, 91; 280/205  
See application file for complete search history.

(56) **References Cited**

**U.S. PATENT DOCUMENTS**

2,726,845	A *	12/1955	Hyslop, Jr. et al.	.....	254/131
D217,375	S *	4/1970	Lohr et al.	.....	D21/688
3,604,726	A *	9/1971	Tracy	.....	280/205
3,862,768	A *	1/1975	England	.....	280/205
D325,609	S *	4/1992	Cheng	.....	D21/689
5,599,262	A *	2/1997	Shih	.....	482/147
5,613,690	A *	3/1997	McShane et al.	.....	273/449
D385,318	S *	10/1997	Videtto	.....	D21/688
D458,654	S *	6/2002	Kiiski et al.	.....	D21/669
D495,015	S *	8/2004	Tudico	.....	D21/688
D509,548	S *	9/2005	Heitzman et al.	.....	D21/662
D520,083	S *	5/2006	Lu	.....	D21/685

7,094,183	B2 *	8/2006	Hsieh	.....	482/51
D540,887	S *	4/2007	Goldman et al.	.....	D21/413
7,303,508	B2 *	12/2007	Toyama et al.	.....	482/51
D564,604	S *	3/2008	Mikail	.....	D21/688
7,374,522	B2 *	5/2008	Arnold	.....	482/146
D624,613	S *	9/2010	Hsiung	.....	D21/668
D640,334	S *	6/2011	Aboody	.....	D21/662
D659,776	S *	5/2012	Zydiak	.....	D21/688
D660,928	S *	5/2012	Guarrasi	.....	D21/686
8,221,295	B2 *	7/2012	Wilkins et al.	.....	482/130
2003/0199374	A1 *	10/2003	Perry et al.	.....	482/146
2006/0009329	A1 *	1/2006	Toyama et al.	.....	482/51

\* cited by examiner

*Primary Examiner* — Susan E Krakower

(74) *Attorney, Agent, or Firm* — Charles E. Baxley

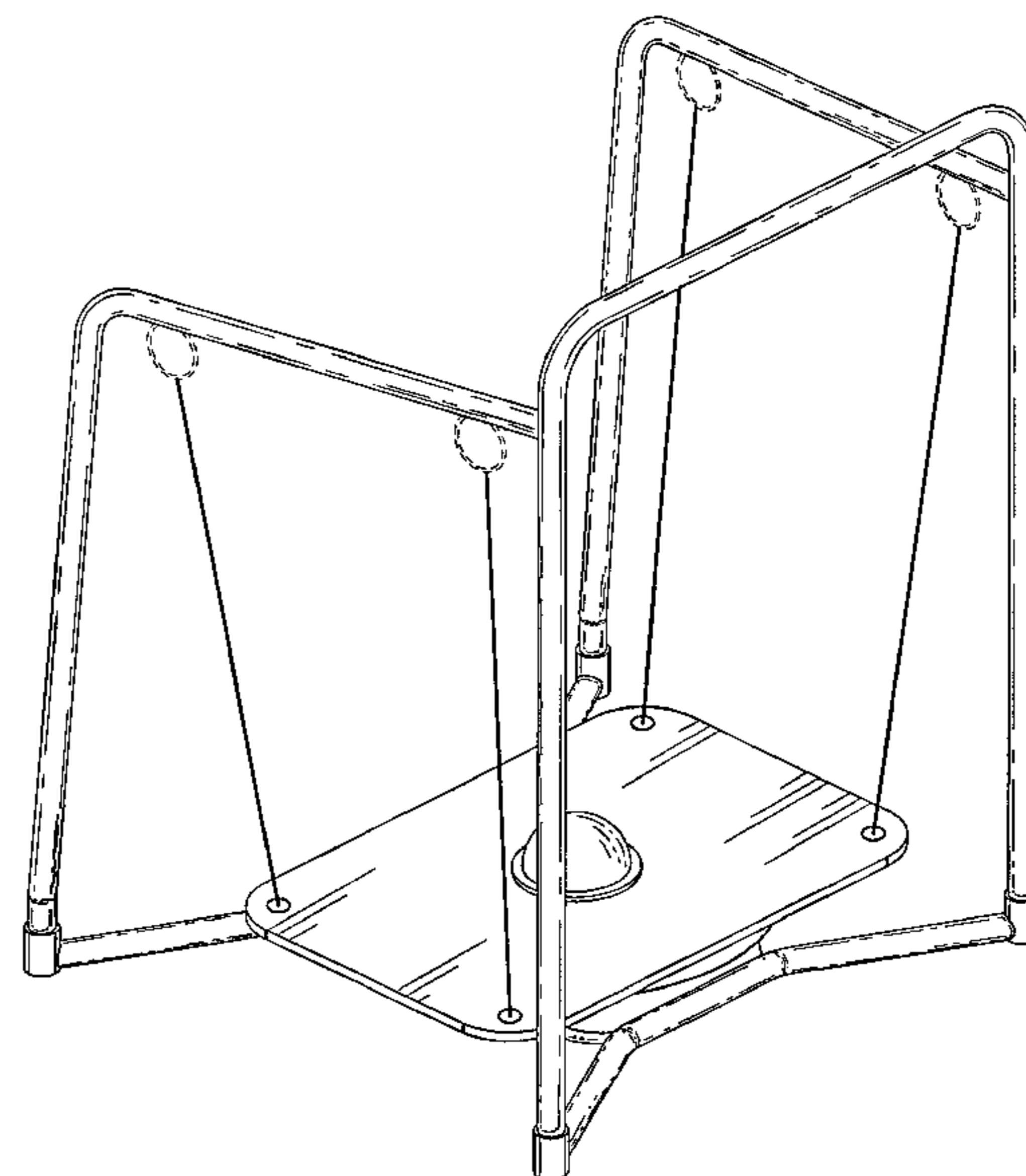
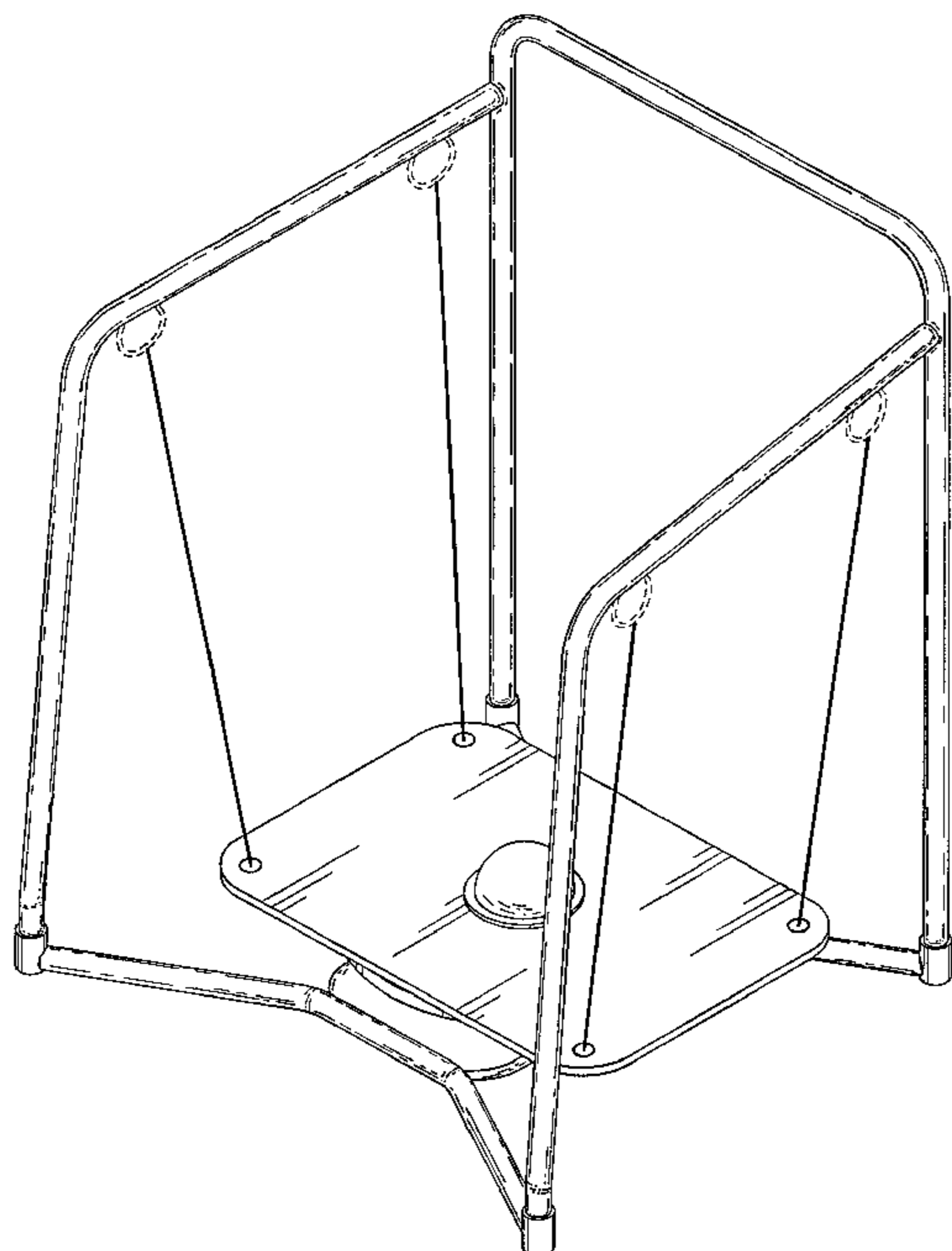
(57) **CLAIM**

The ornamental design for a balancing exerciser, as shown and described.

**DESCRIPTION**

FIG. 1 is a front perspective view of a balancing exerciser showing my new design;  
FIG. 2 is a front elevational view thereof;  
FIG. 3 is a rear elevational view thereof;  
FIG. 4 is a top plan view thereof;  
FIG. 5 is a bottom plan view thereof;  
FIG. 6 is a left side elevational view thereof;  
FIG. 7 is a right side elevational view thereof; and,  
FIG. 8 is a rear perspective view thereof.  
The broken lines illustrate portions of the balancing exerciser which form no part of the claimed design.

**1 Claim, 5 Drawing Sheets**



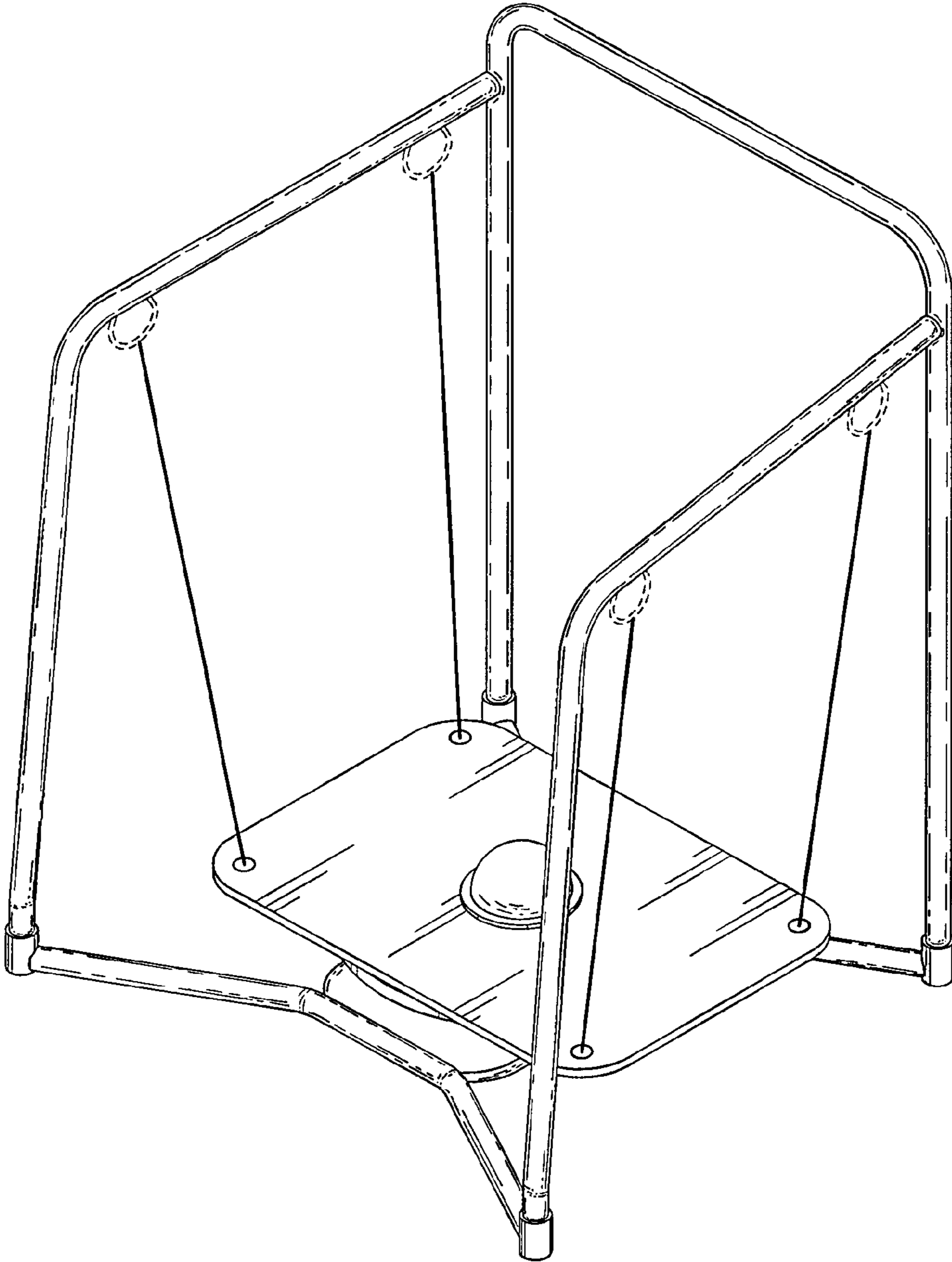


FIG. 1

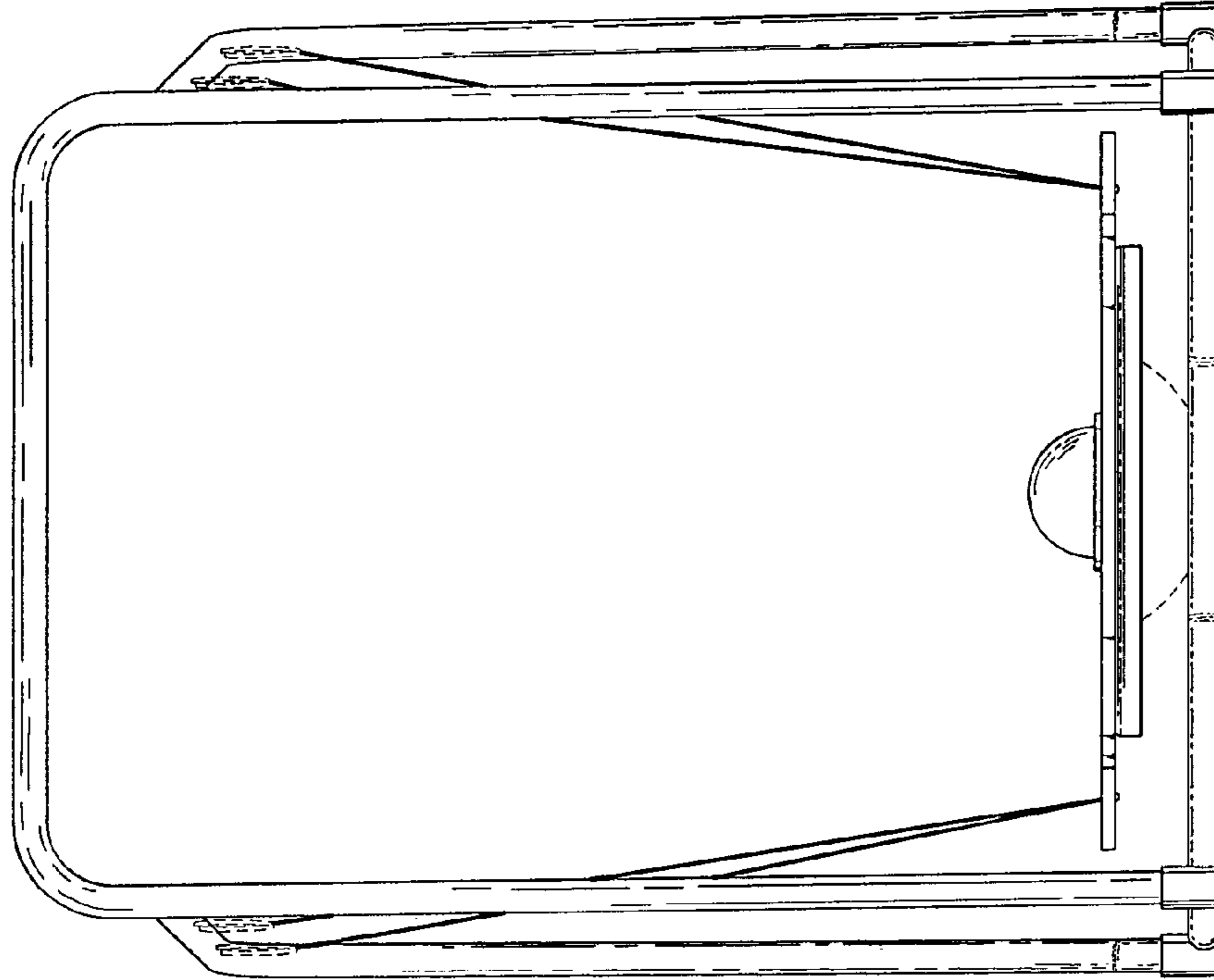


FIG. 3

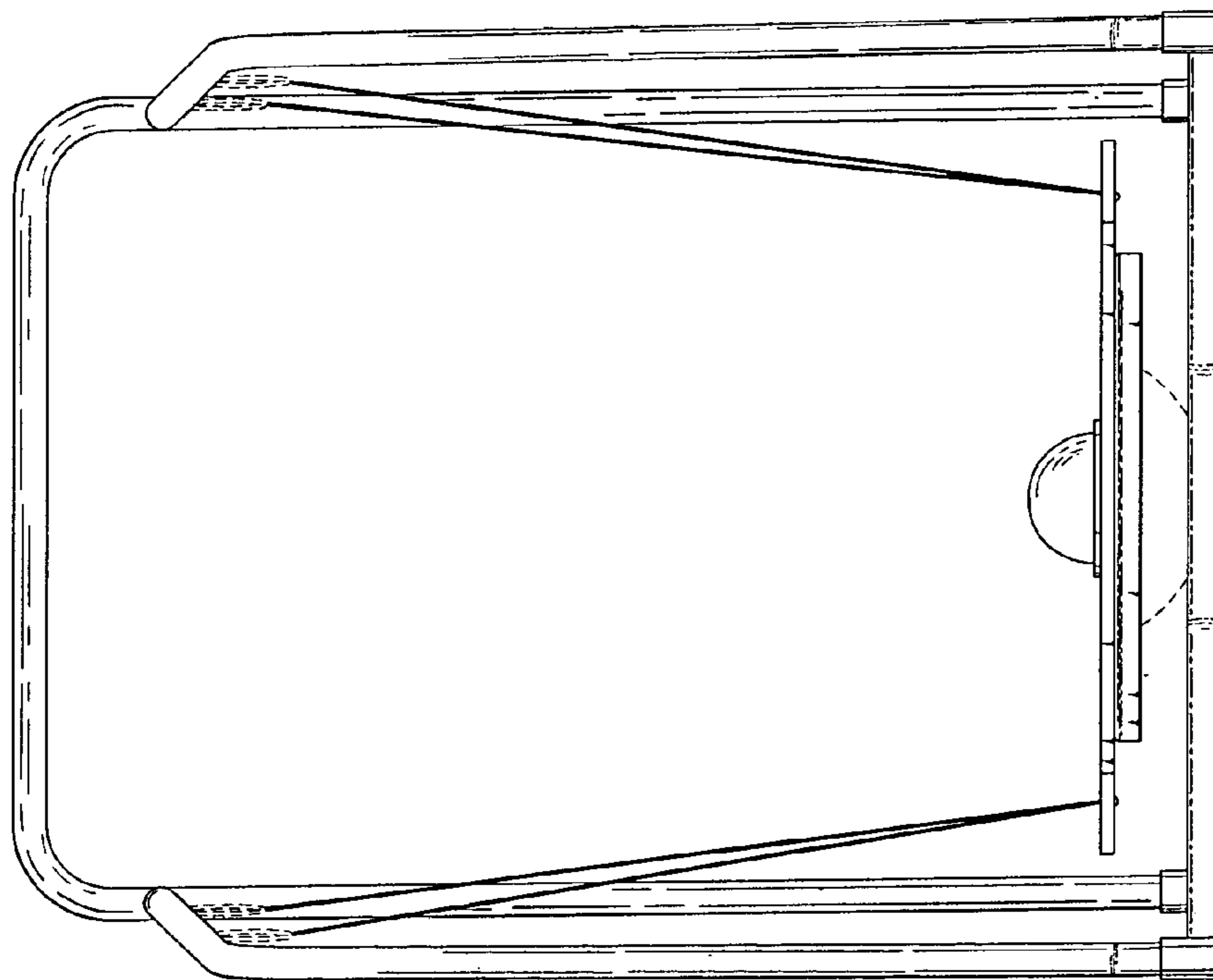


FIG. 2

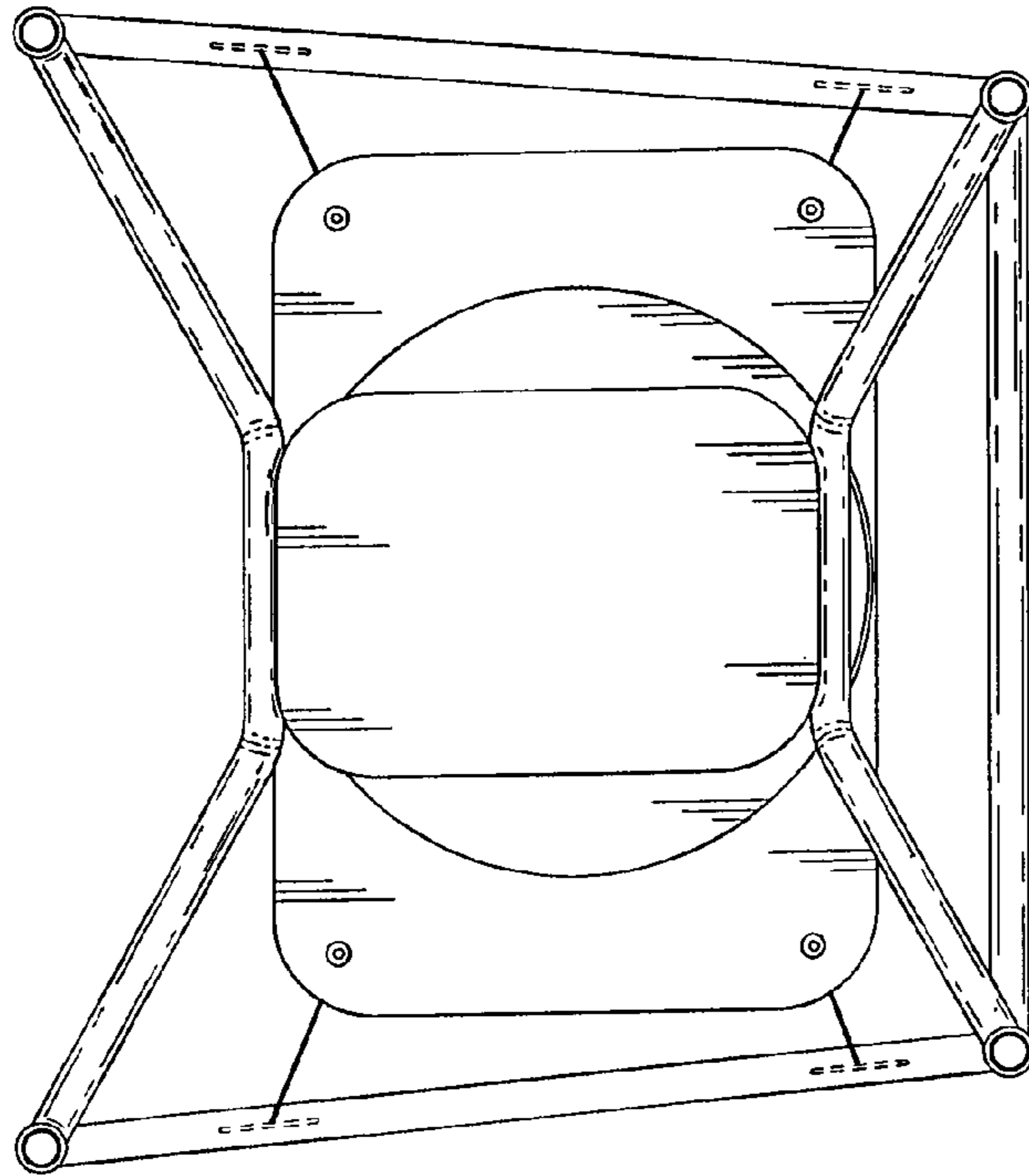


FIG. 5

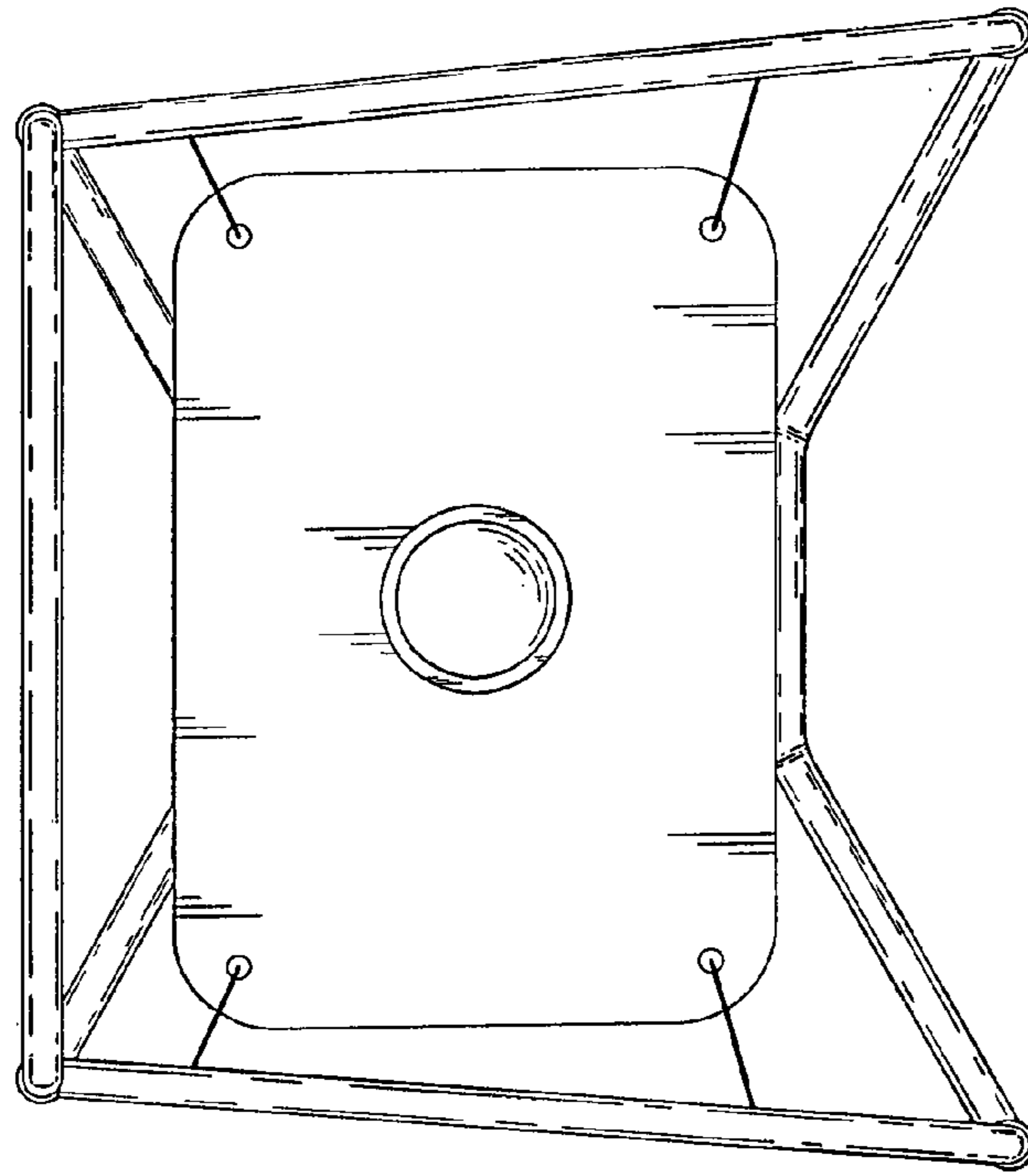


FIG. 4

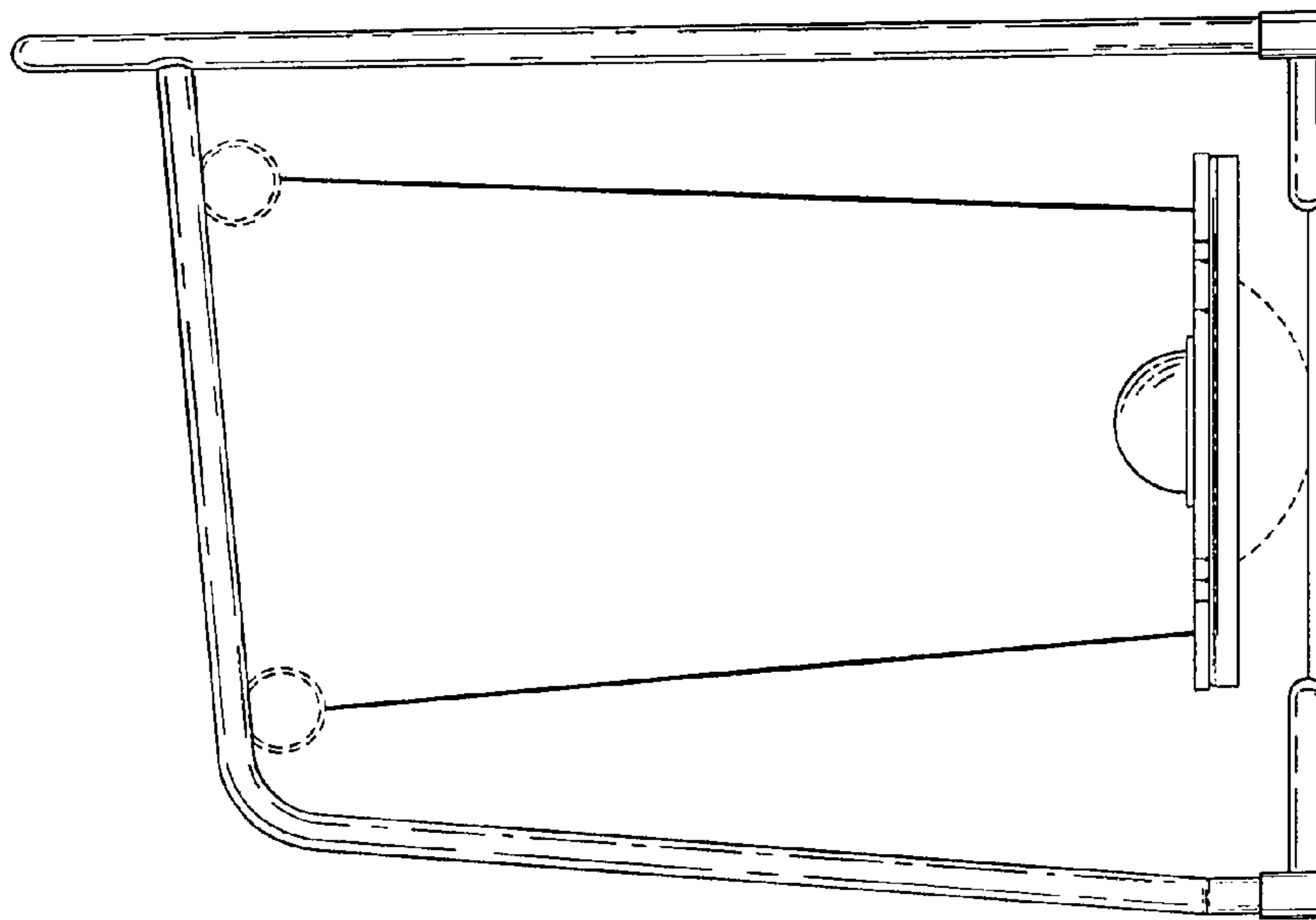


FIG. 7

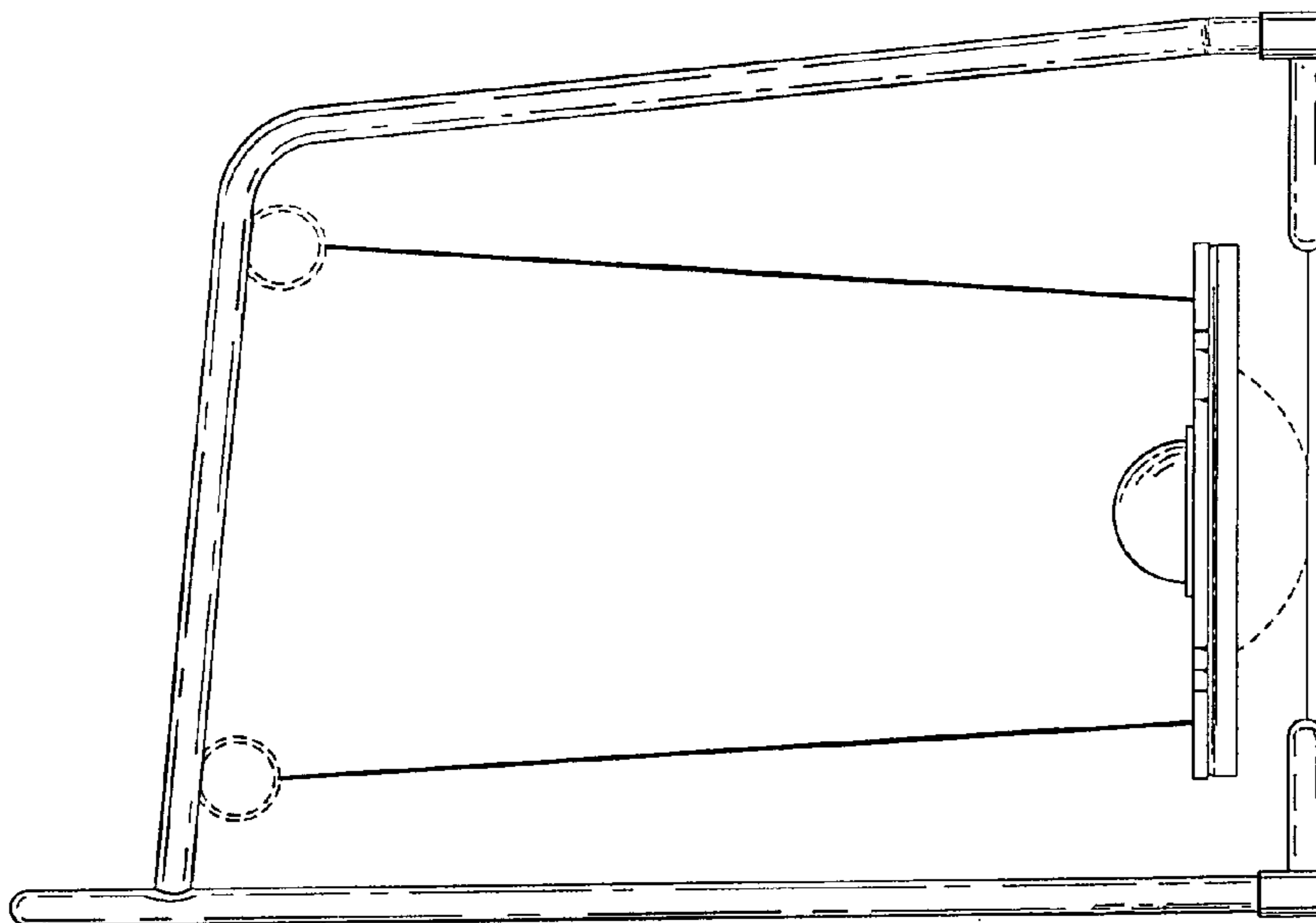


FIG. 6

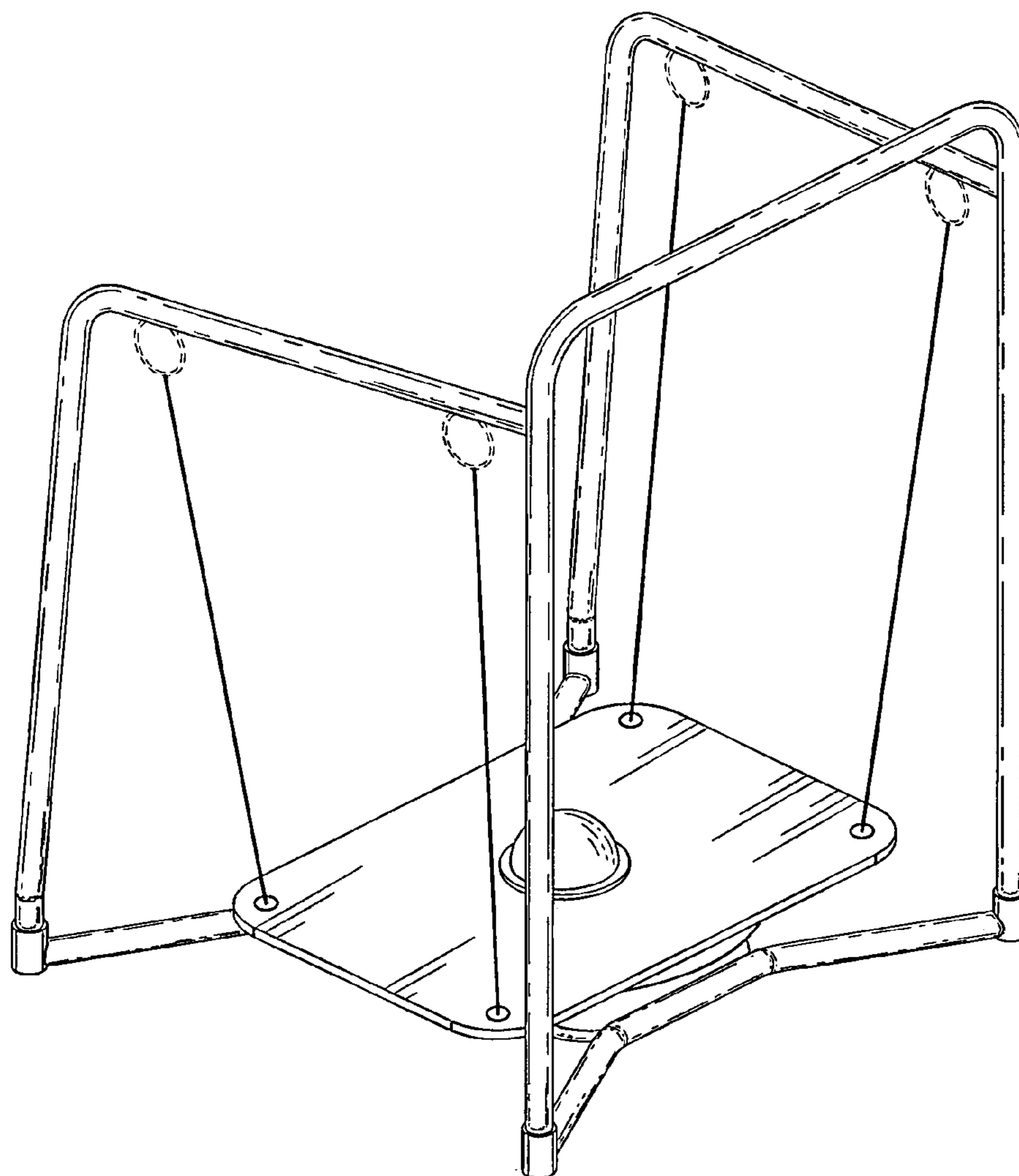


FIG. 8