



US00D694348S

(12) **United States Design Patent**
Rankin

(10) **Patent No.:** **US D694,348 S**

(45) **Date of Patent:** **** Nov. 26, 2013**

(54) **EXERCISE DEVICE**

(76) Inventor: **Bart Rankin**, Morrilton, AR (US)

(**) Term: **14 Years**

(21) Appl. No.: **29/426,717**

(22) Filed: **Jul. 10, 2012**

(51) **LOC (9) Cl.** **21-02**

(52) **U.S. Cl.**
USPC **D21/679**

(58) **Field of Classification Search**

USPC D21/662, 679-684, 692, 694, 797-798;
482/44-46, 93, 105-108, 110-111,
482/148

See application file for complete search history.

(56) **References Cited**

U.S. PATENT DOCUMENTS

2,509,810	A *	5/1950	Core, Jr.	482/108
3,887,185	A *	6/1975	Landreville	273/109
D304,057	S *	10/1989	Cooper	D21/679
5,316,531	A *	5/1994	Spence	482/93
5,364,325	A *	11/1994	Matthews	482/111
D485,869	S *	1/2004	Miletich	D21/399
D561,274	S *	2/2008	Turner	D21/679
7,749,145	B2 *	7/2010	Allen et al.	482/148
D633,155	S *	2/2011	Brun	D21/679
D639,357	S *	6/2011	Brun	D21/679
2012/0309596	A1 *	12/2012	Kennedy et al.	482/93

* cited by examiner

Primary Examiner — Susan E Krakower

(74) *Attorney, Agent, or Firm* — Keisling & Pieper PLC;
Trent C. Keisling

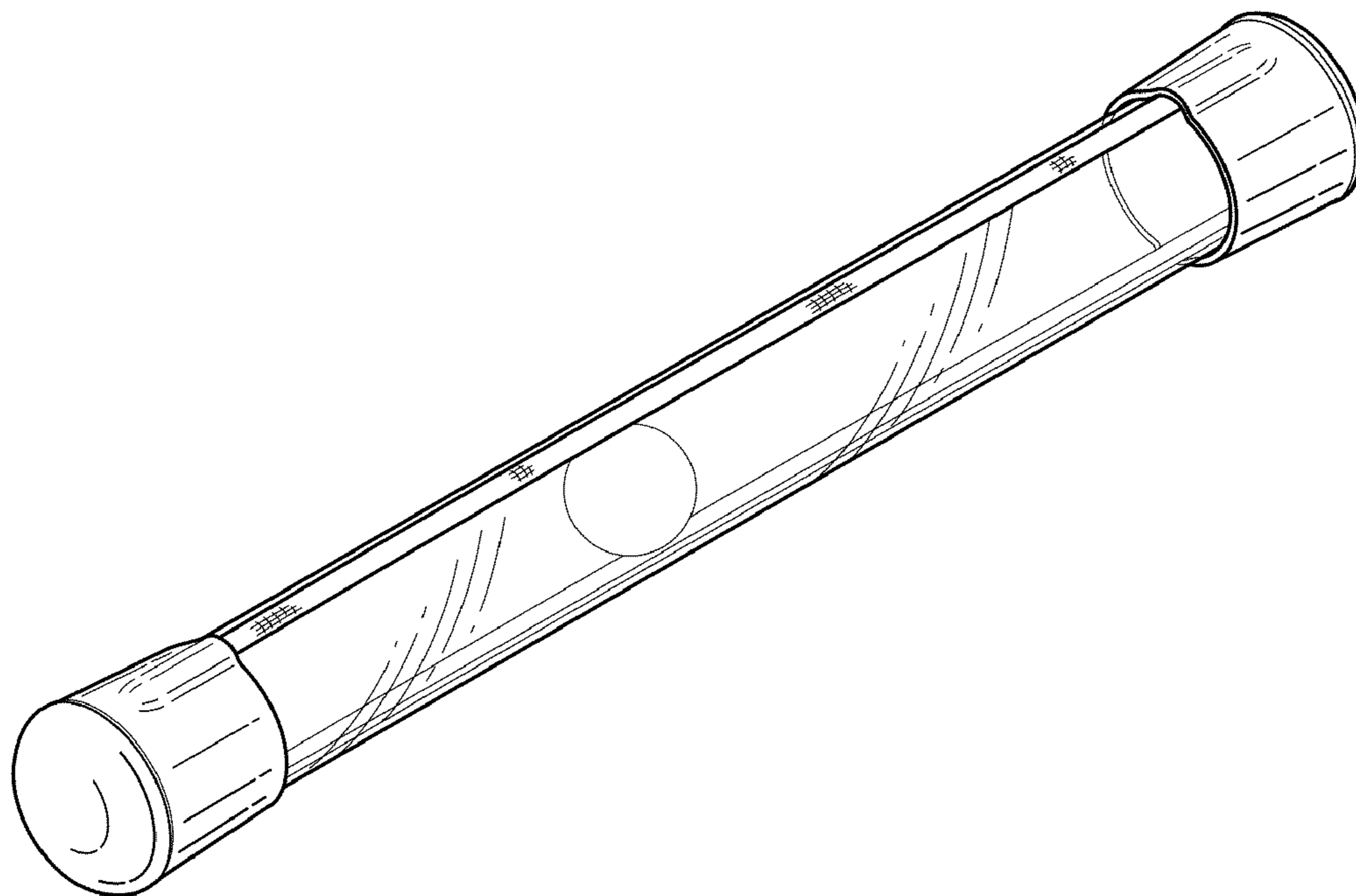
(57) **CLAIM**

The ornamental design for a exercise device, as shown and described.

DESCRIPTION

FIG. 1 is a perspective view of an exercise device showing my new design;
 FIG. 2 is a left side elevational view with the opposite side being a mirror image thereof;
 FIG. 3 is an end elevational view with the opposite side being a mirror image thereof;
 FIG. 4 is a top plan view with the opposite side being a mirror image thereof;
 FIG. 5 is a side view showing the exercise device in condition of use with the interior ball element in a centered position;
 FIG. 6 is a side view showing the exercise device in condition of use with the interior ball element in a right end position; and,
 FIG. 7 is a side view showing the exercise device in condition of use with the interior ball element in a left end position.
 The broken lines showing an ankle and gym shoe in FIGS. 5-7 illustrate environmental structure and form no part of the claimed design.

1 Claim, 4 Drawing Sheets



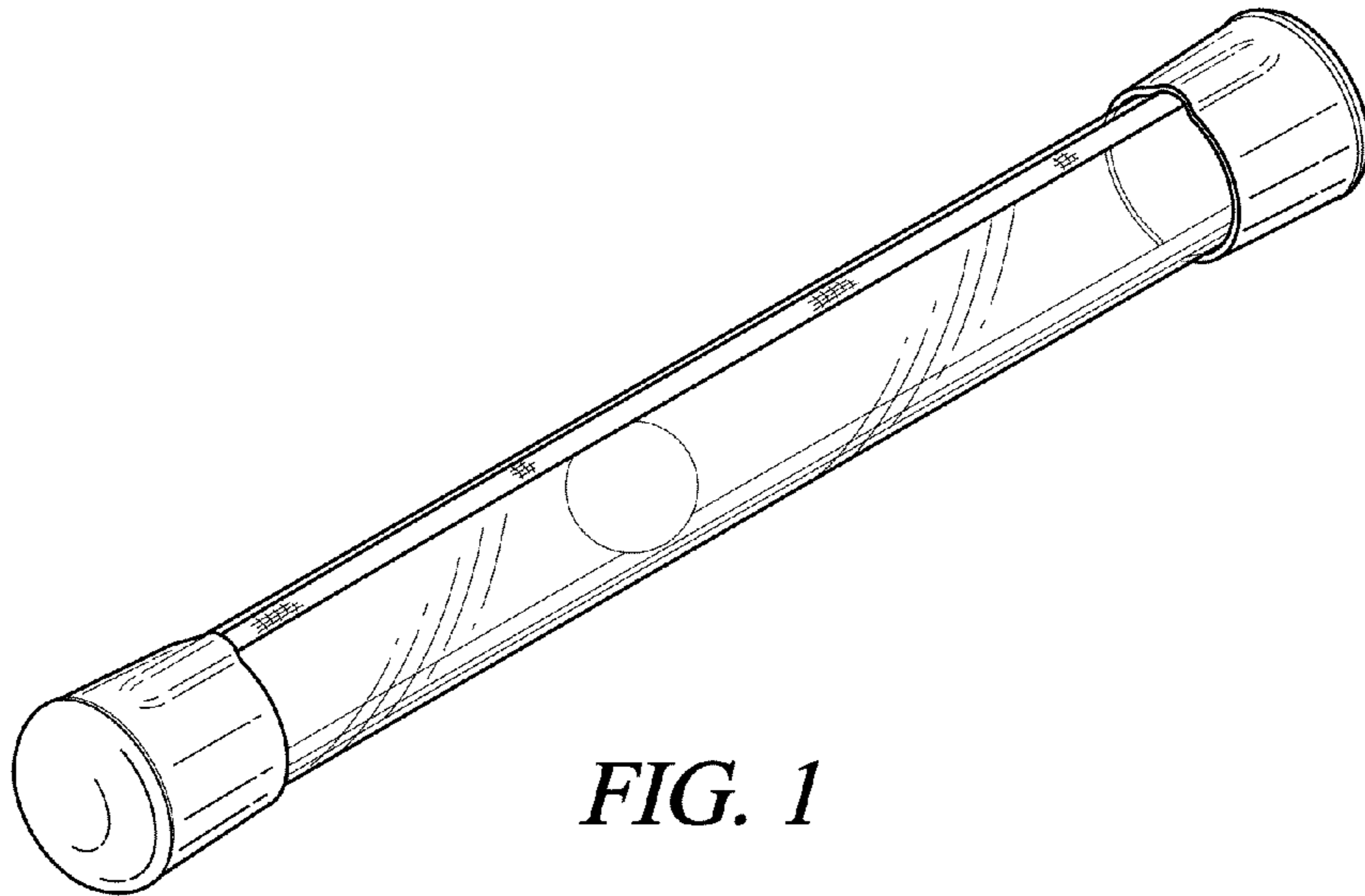


FIG. 1

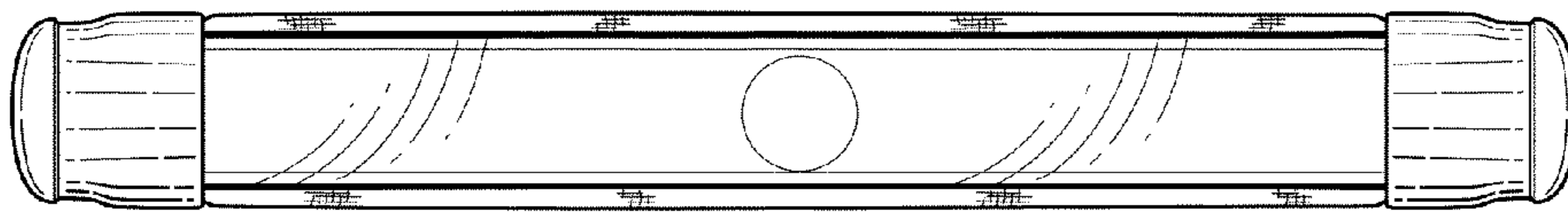


FIG. 2

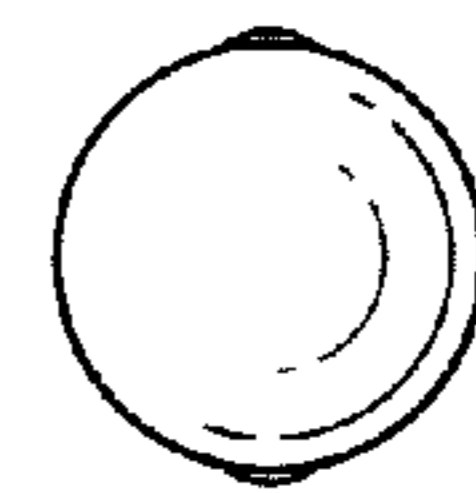


FIG. 3

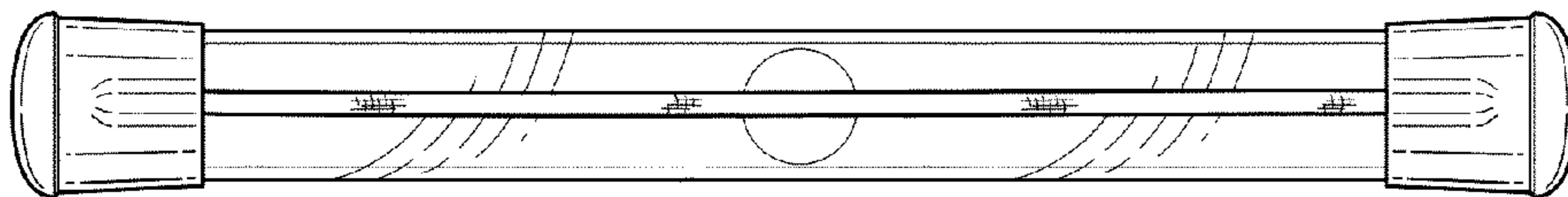


FIG. 4

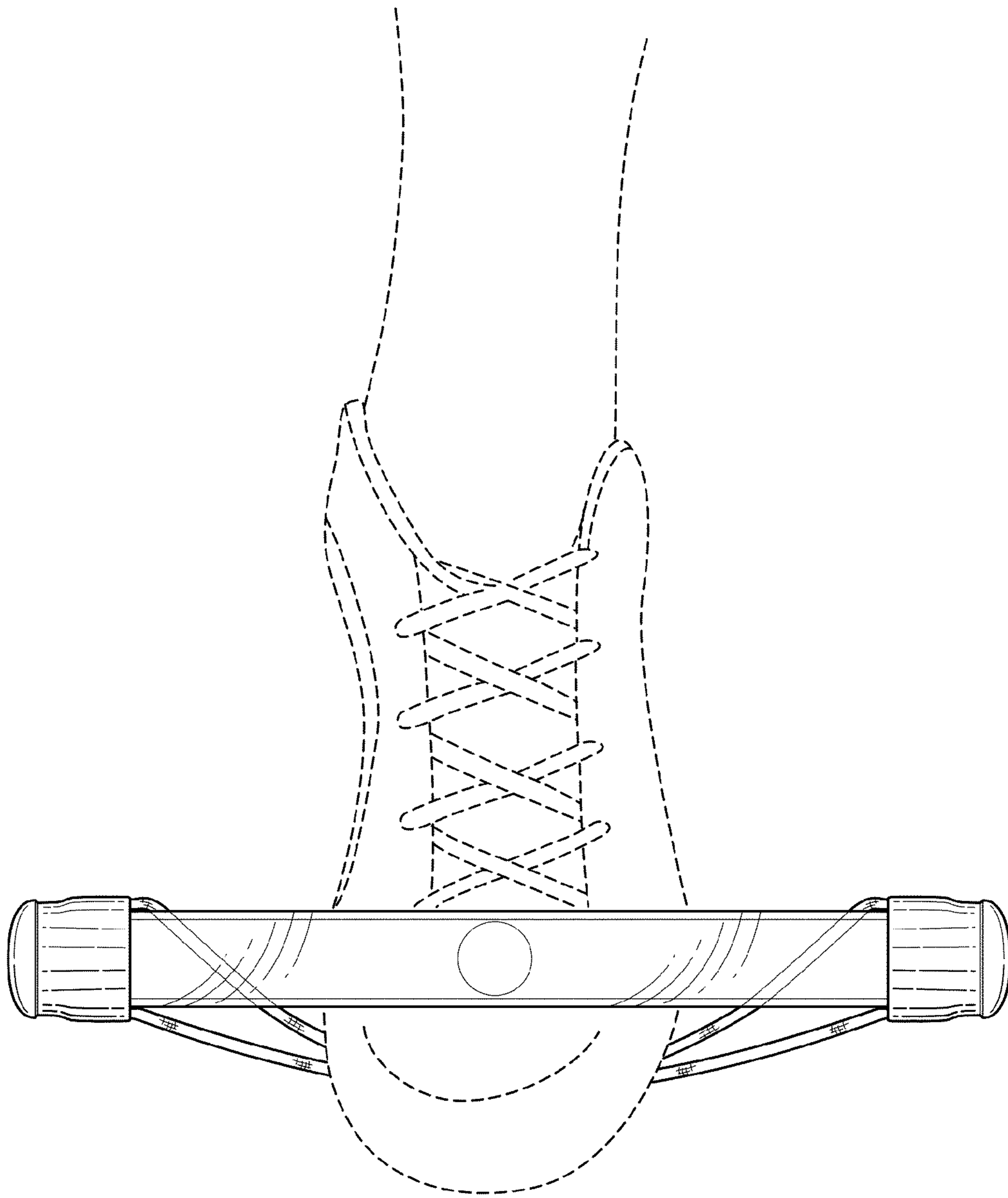


FIG. 5

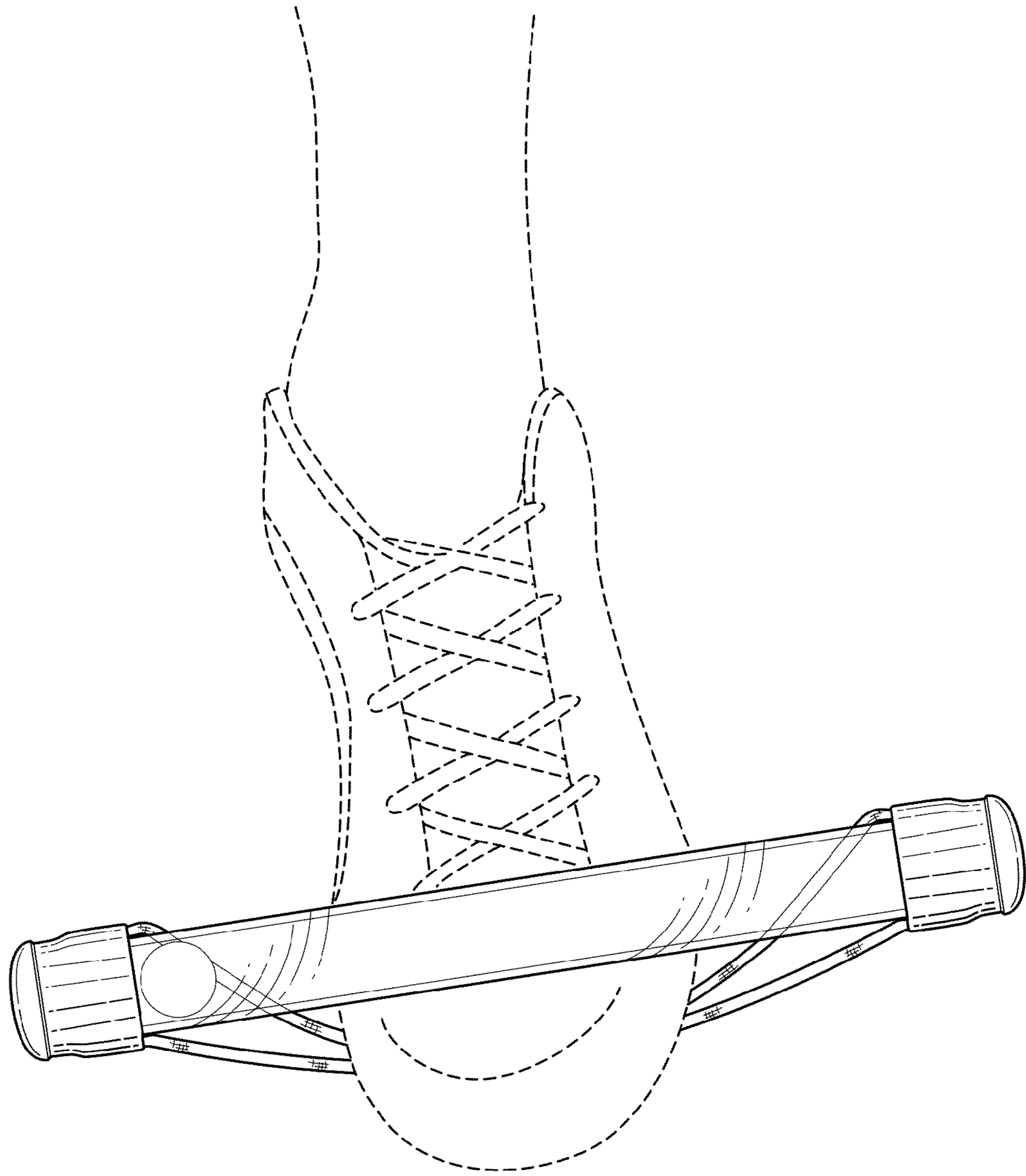


FIG. 6

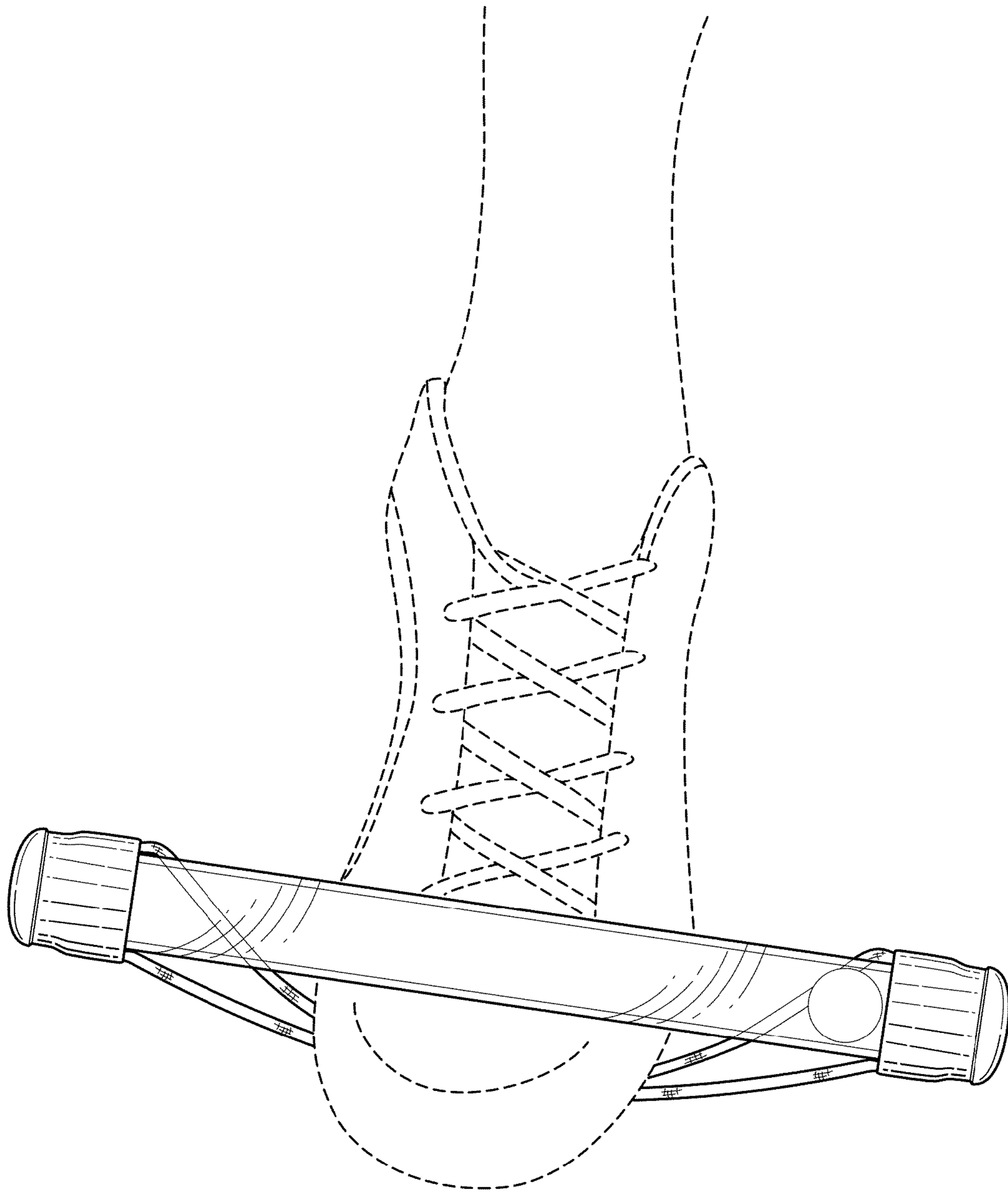


FIG. 7