



US00D694347S

(12) **United States Design Patent**
Campanaro et al.

(10) **Patent No.:** **US D694,347 S**

(45) **Date of Patent:** **** Nov. 26, 2013**

(54) **EXERCISE DEVICE**

(71) Applicants: **Total Gym Global Corp.**, San Diego, CA (US); **Total Gym Commercial LLC**, San Diego, CA (US)

(72) Inventors: **Thomas J. Campanaro**, Rancho Santa Fe, CA (US); **Jesse Thomas Campanaro**, San Diego, CA (US); **Randall S. Bergstedt**, San Diego, CA (US); **Dan McCutcheon**, San Diego, CA (US)

(73) Assignee: **Total Gym Global Corp.**, San Diego, CA (US)

(**) Term: **14 Years**

(21) Appl. No.: **29/446,537**

(22) Filed: **Feb. 25, 2013**

(51) **LOC (9) Cl.** **21-02**

(52) **U.S. Cl.**
USPC **D21/676; D21/686**

(58) **Field of Classification Search**
USPC D21/662, 674, 676, 686, 687, 688, 689, D21/694; 482/70-72, 95-96, 112, 114, 121, 482/130-132, 135, 140, 142
See application file for complete search history.

(56) **References Cited**

U.S. PATENT DOCUMENTS

682,988	A *	9/1901	Hazelip	482/96
1,982,872	A *	12/1934	Husted	482/72
2,129,262	A *	9/1938	Cole	482/95
3,101,944	A *	8/1963	Cencig	482/114

3,394,934	A *	7/1968	Petros et al.	482/72
3,658,327	A *	4/1972	Thiede	482/96
4,004,801	A *	1/1977	Campanaro et al.	482/96
5,518,483	A *	5/1996	Oswald	482/131
D405,132	S *	2/1999	Westfall et al.	D21/676
5,921,901	A *	7/1999	Palacios	482/132
6,692,412	B2 *	2/2004	Chen et al.	482/96
D493,853	S *	8/2004	Campanaro et al.	D21/676
6,966,871	B2 *	11/2005	Parmater	482/140
D574,901	S *	8/2008	Campanaro et al.	D21/687
7,662,076	B1 *	2/2010	Ho	482/130
7,938,763	B2 *	5/2011	Campanaro et al.	482/140
8,033,970	B2 *	10/2011	Campanaro et al.	482/142
D659,205	S *	5/2012	Endelman et al.	D21/686
2006/0166798	A1 *	7/2006	Nelson	482/140

* cited by examiner

Primary Examiner — Susan E Krakower

(74) *Attorney, Agent, or Firm* — Stephen C. Beuerle; Procopio Cory Hargreaves & Savitch LLP

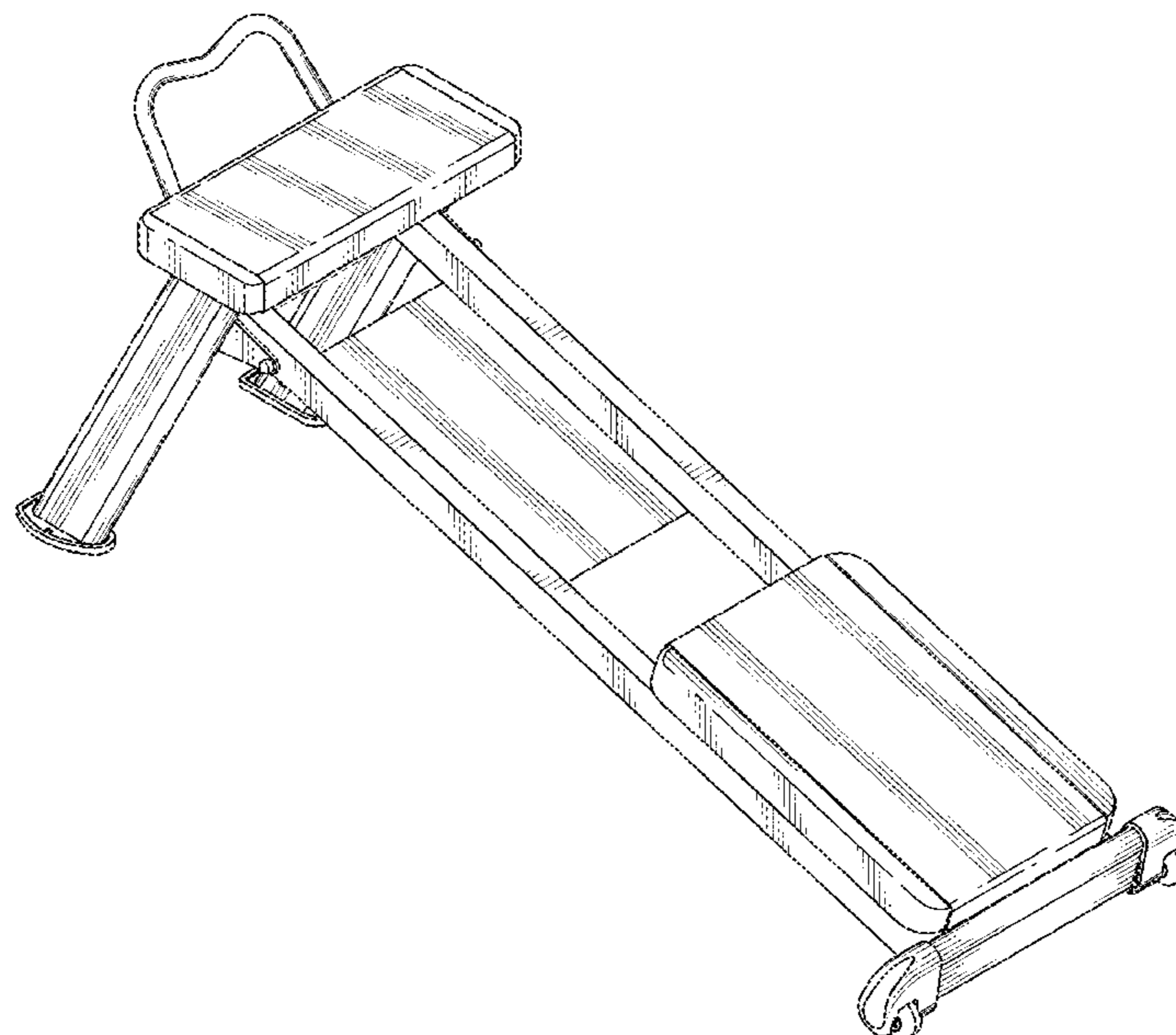
(57) **CLAIM**

The ornamental design for an exercise device, as shown and described.

DESCRIPTION

FIG. 1 is a perspective view of the exercise device; FIG. 2 is a top plan view of the exercise device; FIG. 3 is a bottom plan view of the exercise device; FIG. 4 is a front elevational view of the exercise device; FIG. 5 is a rear elevational view of the exercise device; FIG. 6 is a right side elevational view of the exercise device; and, FIG. 7 is a left side elevational view of the exercise device. The broken lines illustrate portions of the exercise device which form no part of the claimed design.

1 Claim, 4 Drawing Sheets



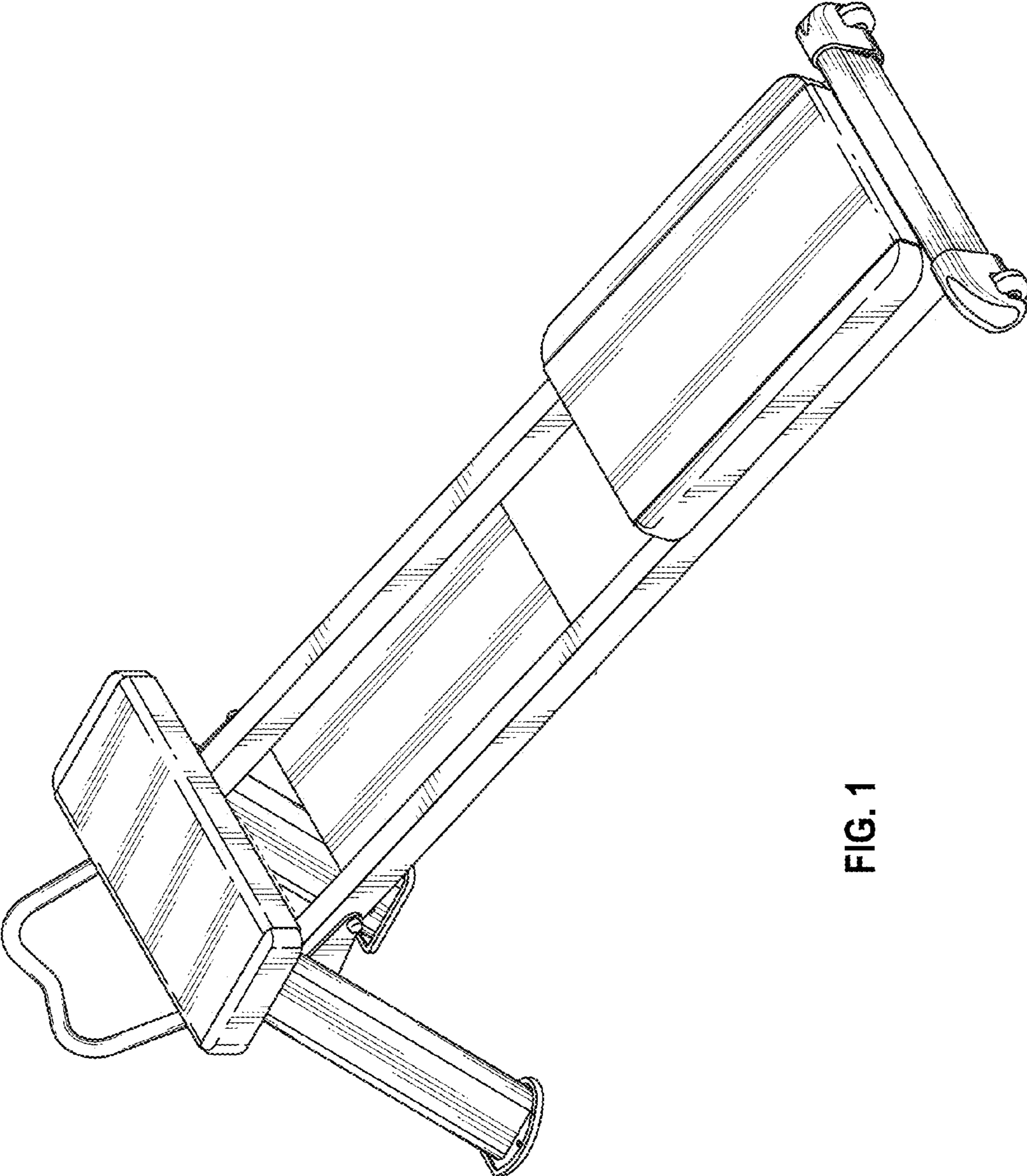


FIG. 1

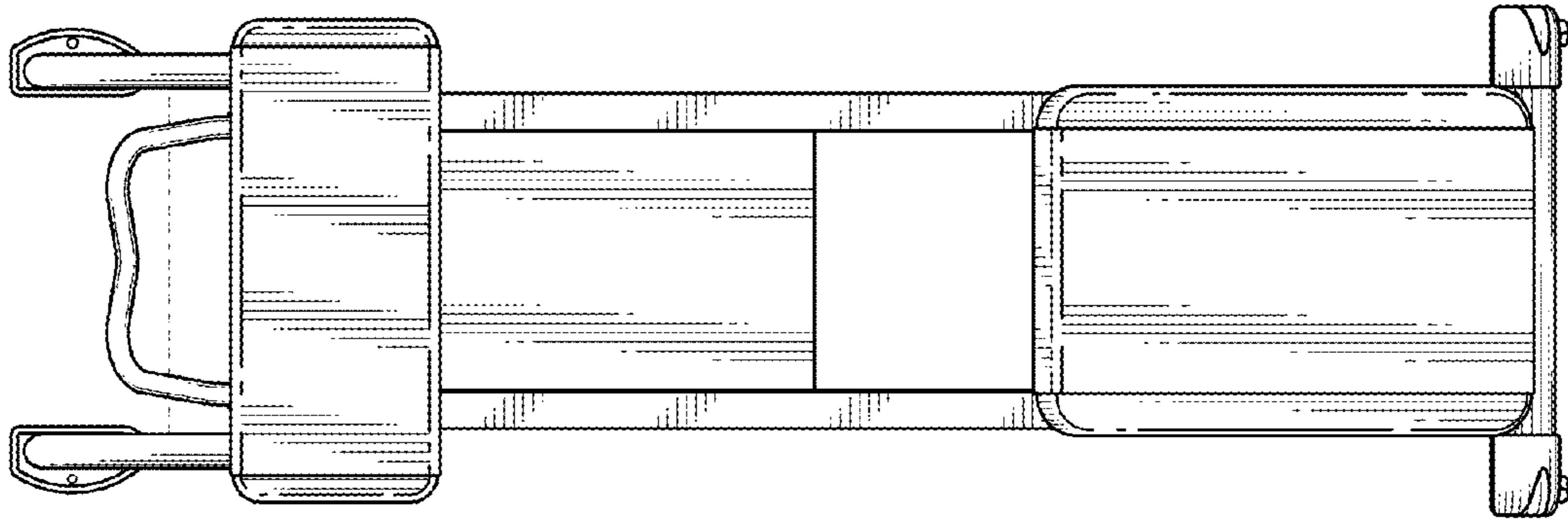


FIG. 2

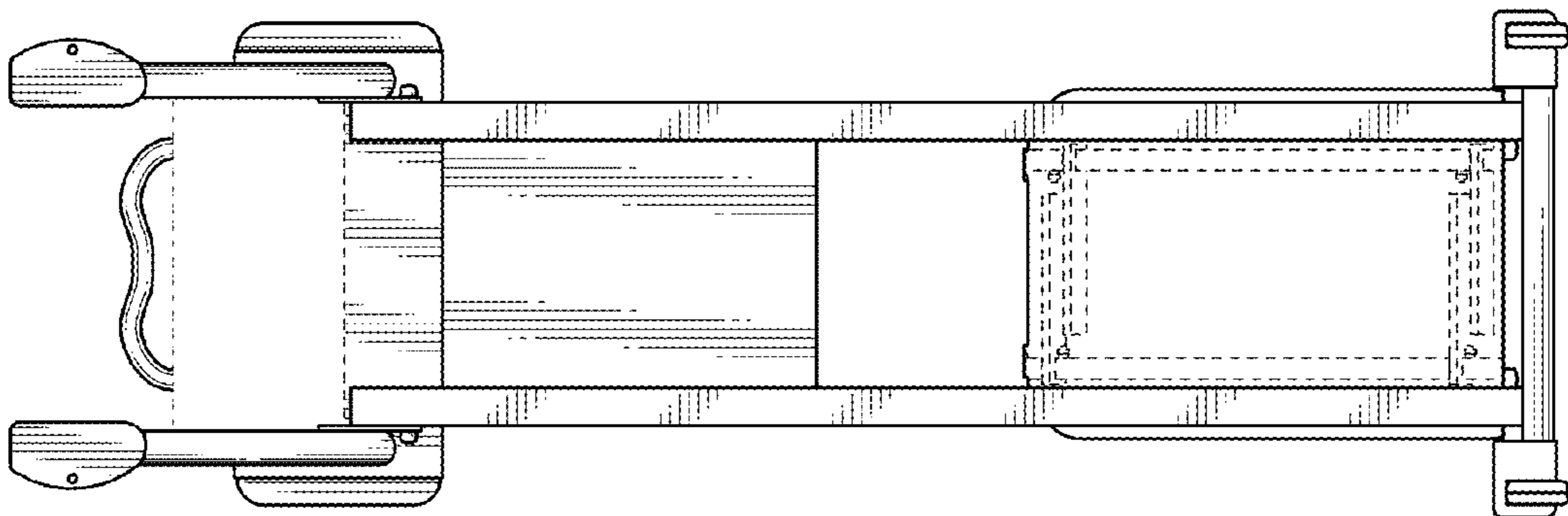


FIG. 3

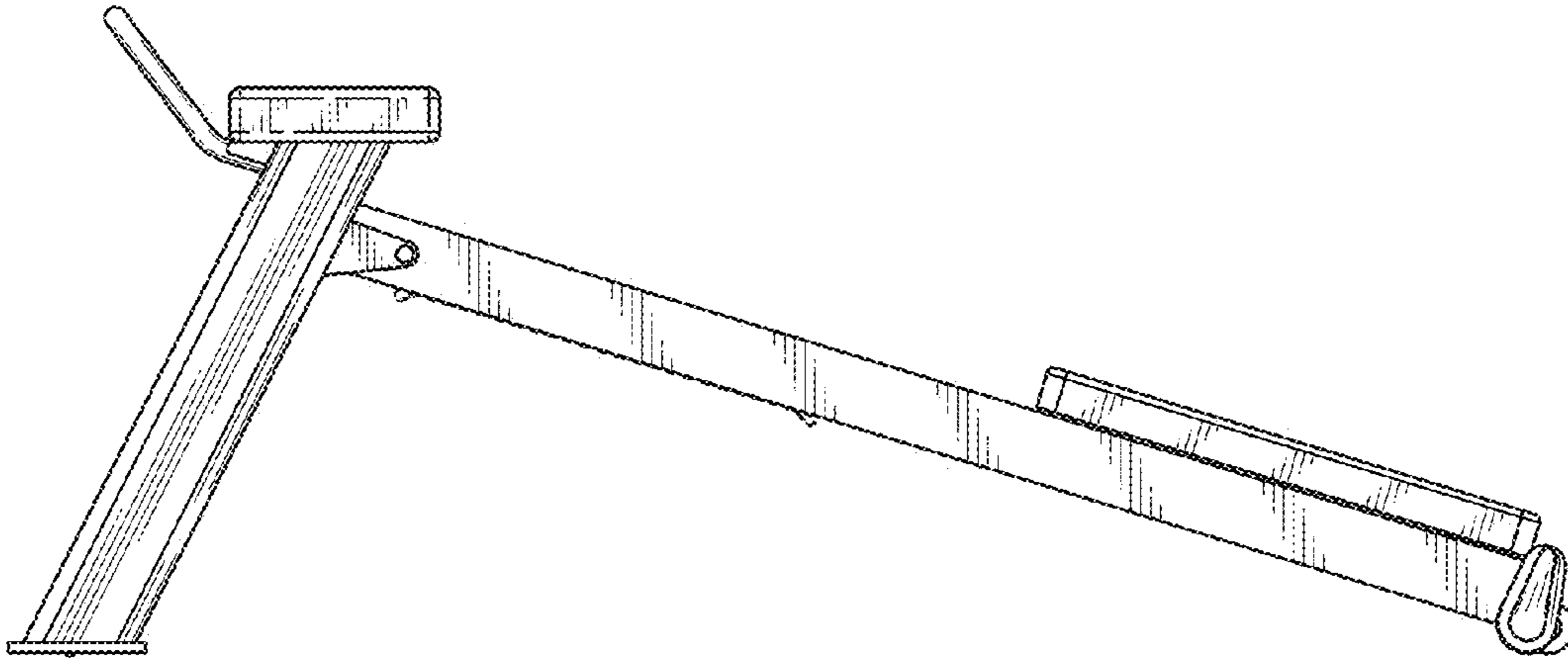


FIG. 4

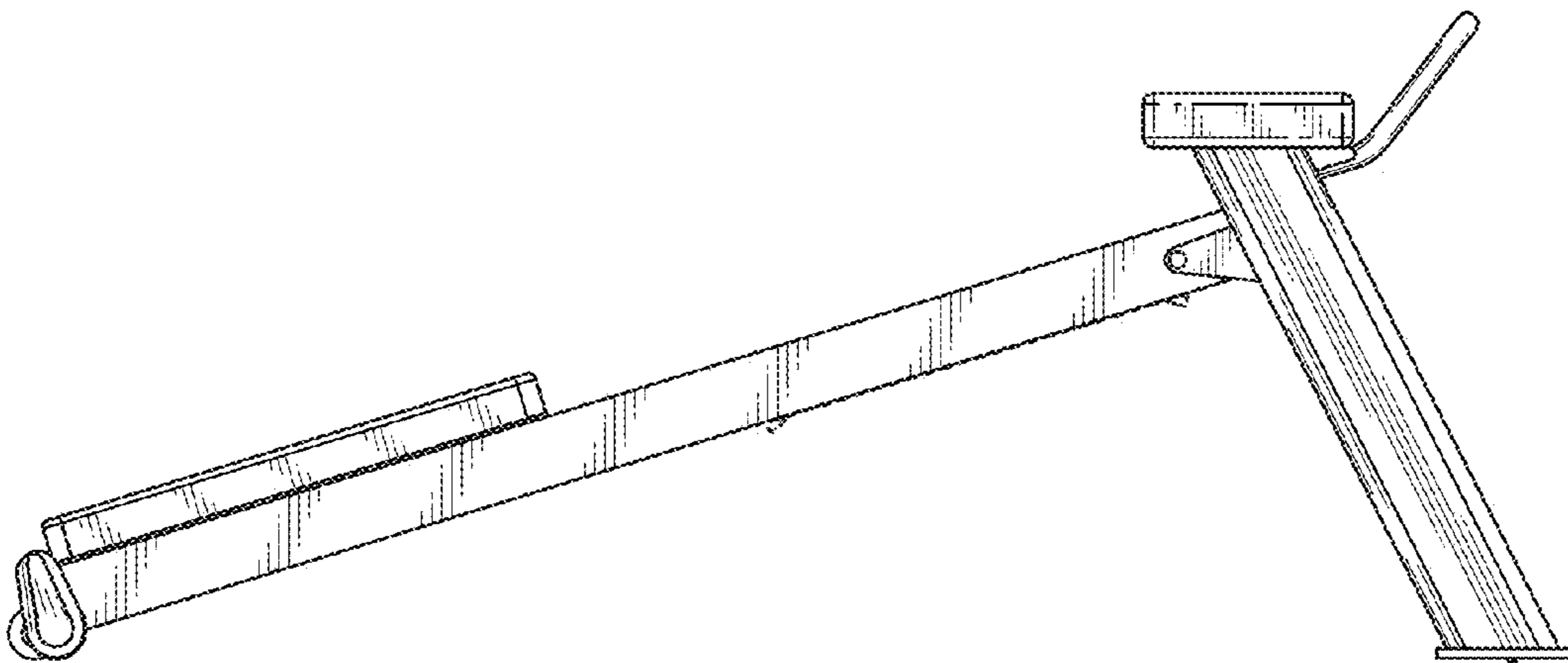


FIG. 5

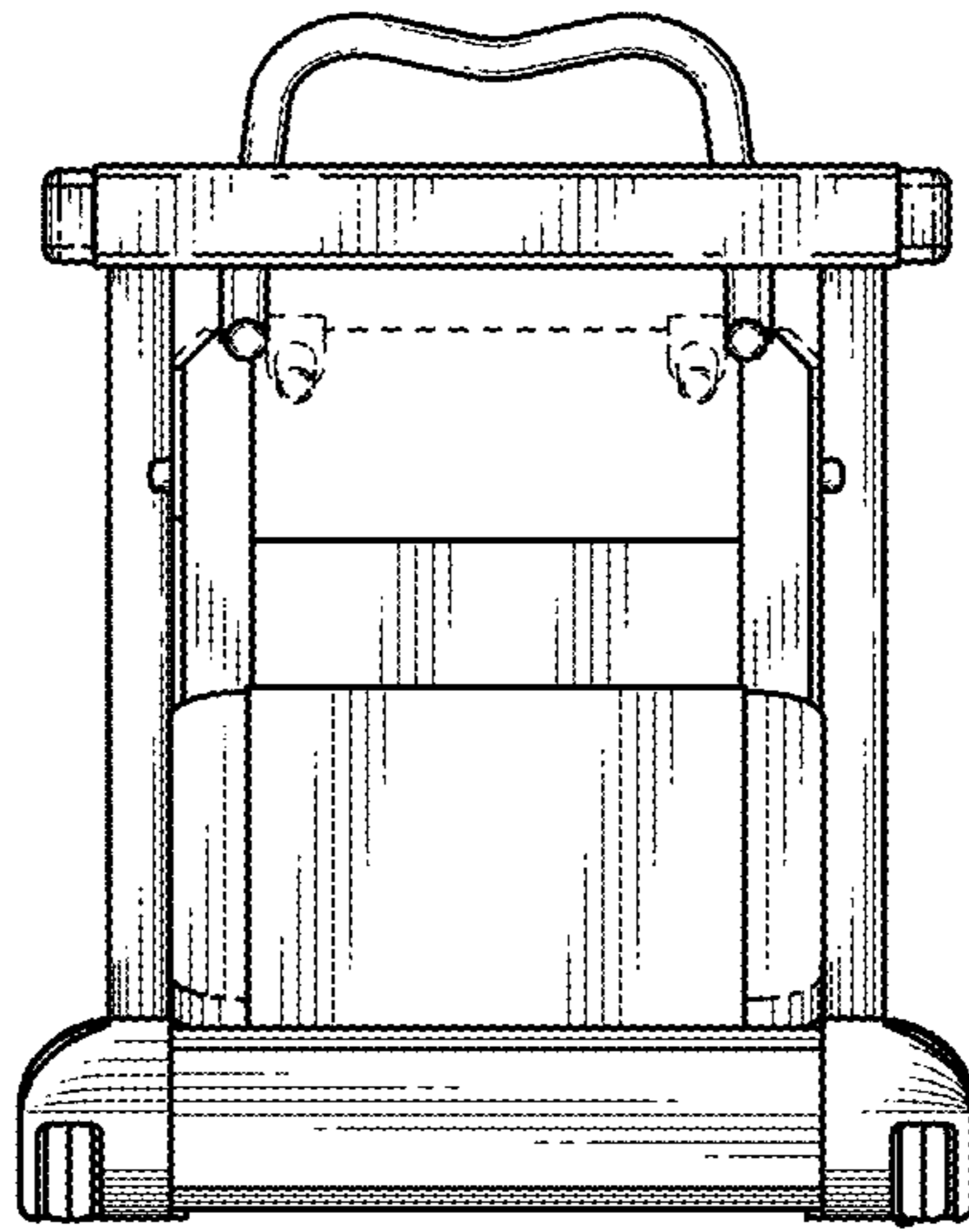


FIG. 6

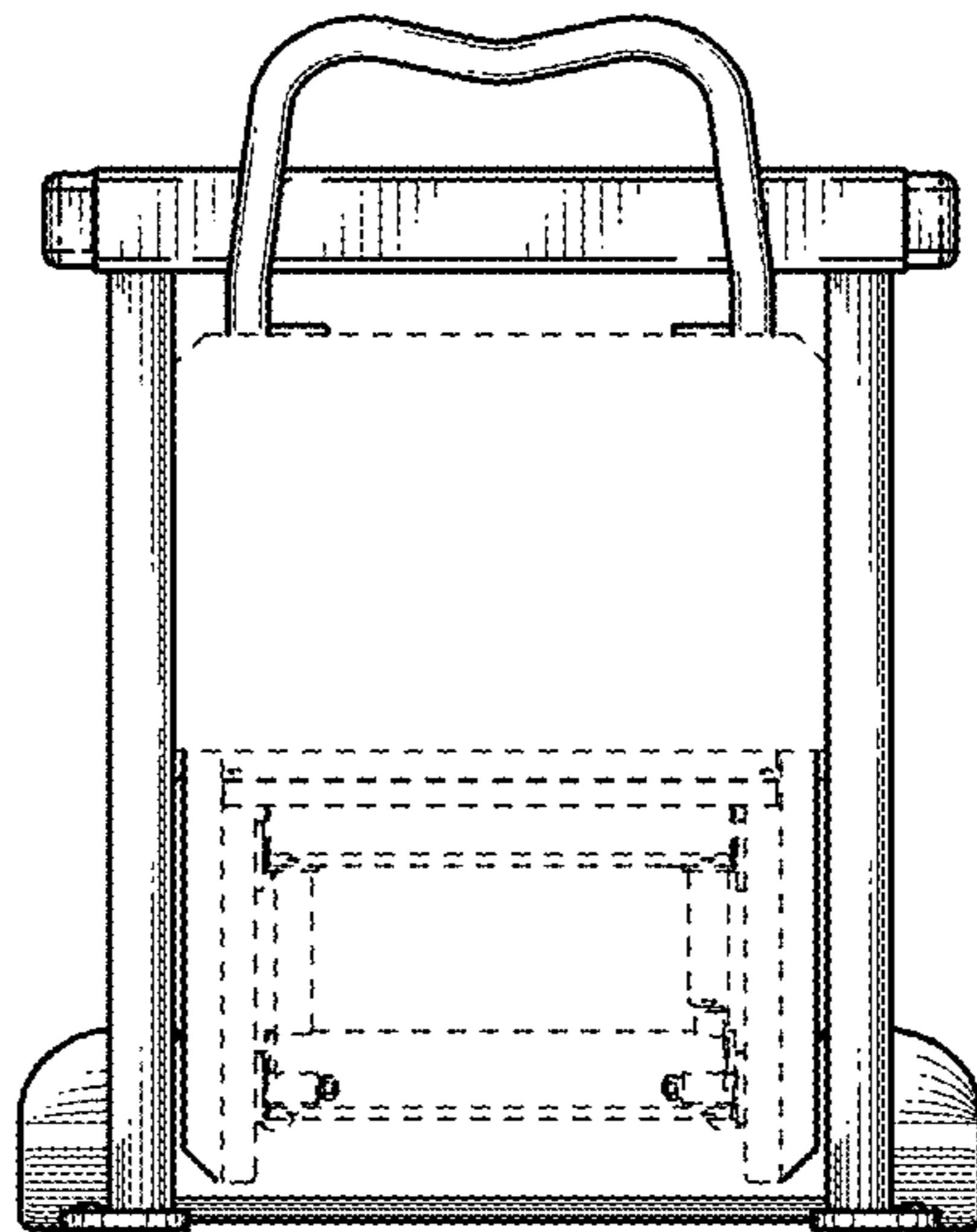


FIG. 7