



US00D694344S

(12) **United States Design Patent**
Mimlitch, III et al.

(10) **Patent No.:** **US D694,344 S**

(45) **Date of Patent:** **** Nov. 26, 2013**

(54) **TOY FIGURE ATTACHMENTS**

(71) Applicant: **Innovation First, Inc.**, Greenville, TX (US)

(72) Inventors: **Robert H. Mimlitch, III**, Rowlett, TX (US); **David A. Norman**, Greenville, TX (US); **Douglas Michael Galletti**, Allen, TX (US); **Jeffrey Russell Waegelin**, Rockwell, TX (US); **Gregory Needel**, Rockwell, TX (US); **Raul Olivera**, Greenville, TX (US)

(73) Assignee: **Innovation First, Inc.**, Greenville, TX (US)

(**) Term: **14 Years**

(21) Appl. No.: **29/456,678**

(22) Filed: **Jun. 3, 2013**

Related U.S. Application Data

(62) Division of application No. 29/426,829, filed on Jul. 11, 2012, now Pat. No. Des. 689,563.

(51) **LOC (9) Cl.** **21-01**

(52) **U.S. Cl.**
USPC **D21/658**

(58) **Field of Classification Search**
USPC D21/533, 561, 576–585, 650, 658–661;
446/3, 72, 97, 268–269, 321, 351–356,
446/376–377, 486–487, 491

See application file for complete search history.

(56) **References Cited**

U.S. PATENT DOCUMENTS

D349,736 S *	8/1994	Hatting	D21/561
D366,073 S *	1/1996	Schmidt et al.	D21/488
D388,475 S *	12/1997	Glickman	D21/488
D473,902 S *	4/2003	Panno	D21/561
D479,288 S	9/2003	Nakase	
6,652,352 B1	11/2003	MacArthur et al.	
6,866,557 B2	3/2005	Randall	
D507,606 S	7/2005	Nakase	
D555,213 S	11/2007	Bowen et al.	
D583,882 S	12/2008	Domingues	

* cited by examiner

Primary Examiner — Sandra Morris

(74) *Attorney, Agent, or Firm* — Adam K. Sacharoff

(57) **CLAIM**

The ornamental design for a toy figure attachments, as shown and described.

DESCRIPTION

FIG. 1 is a front top perspective view showing a second embodiment of the toy figure attachments;

FIG. 2 is a back top perspective view of FIG. 1;

FIG. 3 is a bottom right side perspective view of FIG. 1;

FIG. 4 is a bottom left side perspective view of FIG. 1;

FIG. 5 is a top side view of FIG. 1;

FIG. 6 is a bottom side view of FIG. 1;

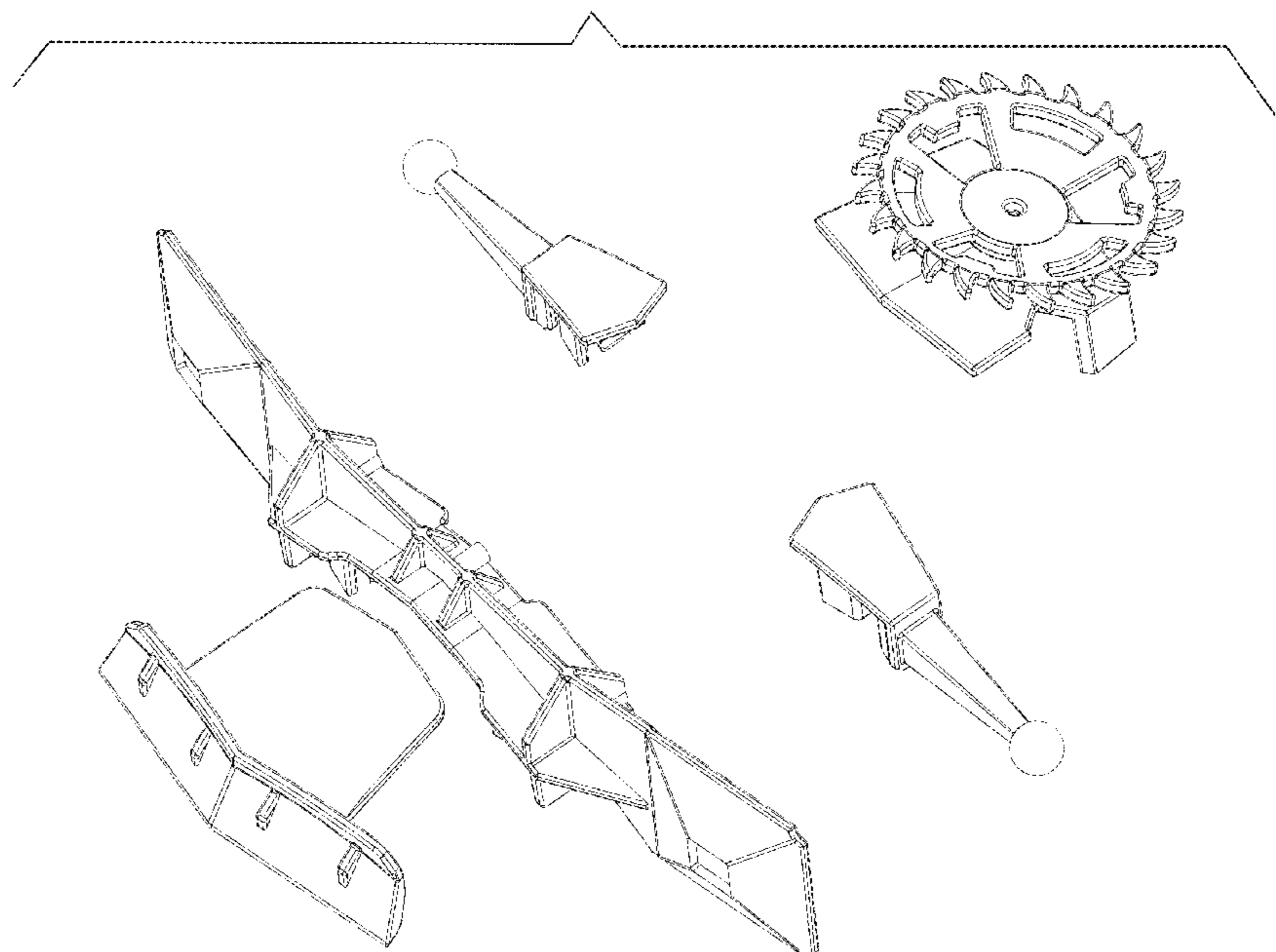
FIG. 7 is a left side view of FIG. 1;

FIG. 8 is a right side view of FIG. 1;

FIG. 9 is a front side view of FIG. 1; and,

FIG. 10 is a back side view of FIG. 1.

1 Claim, 10 Drawing Sheets



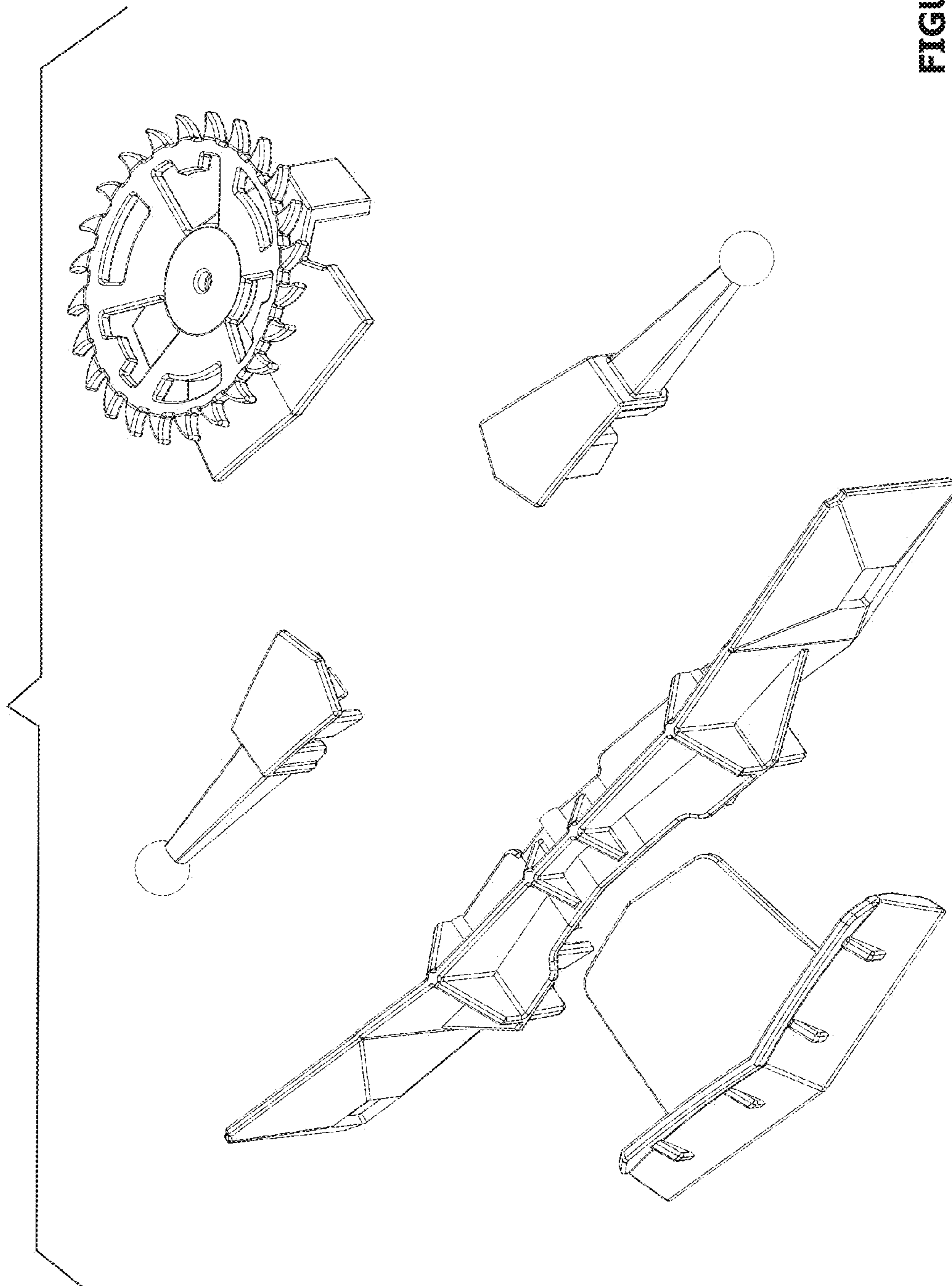


FIGURE 1

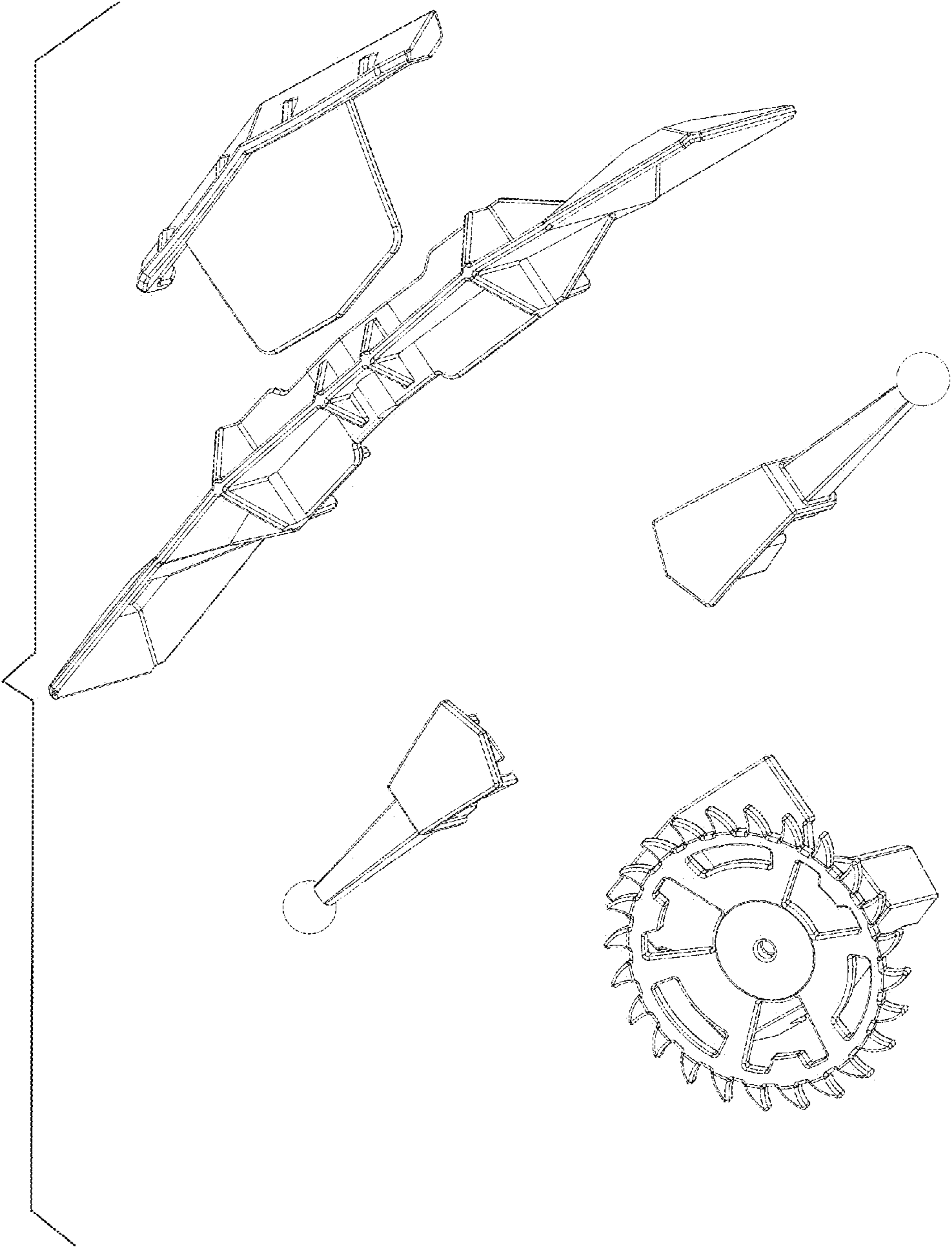


FIGURE 2

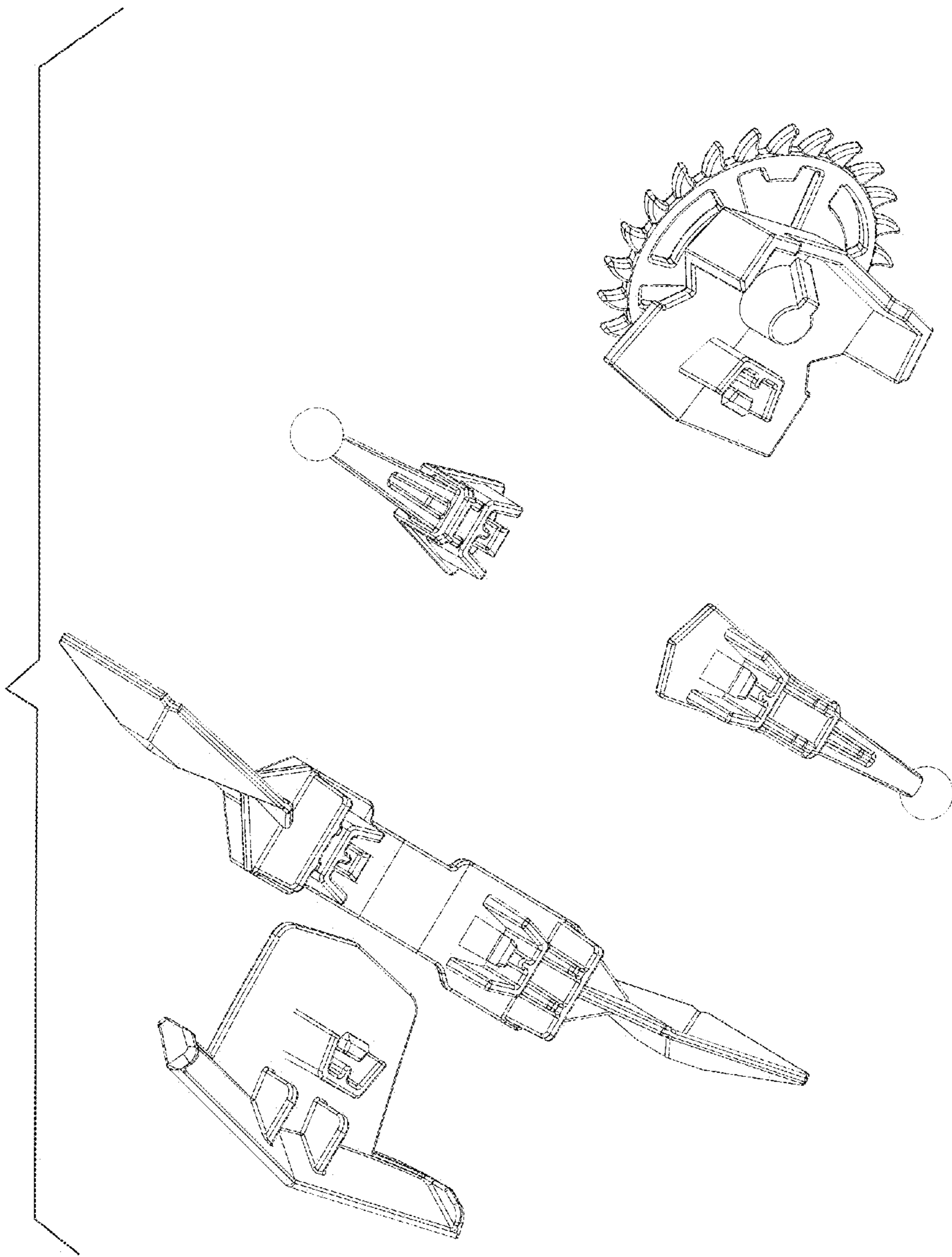


FIGURE 3

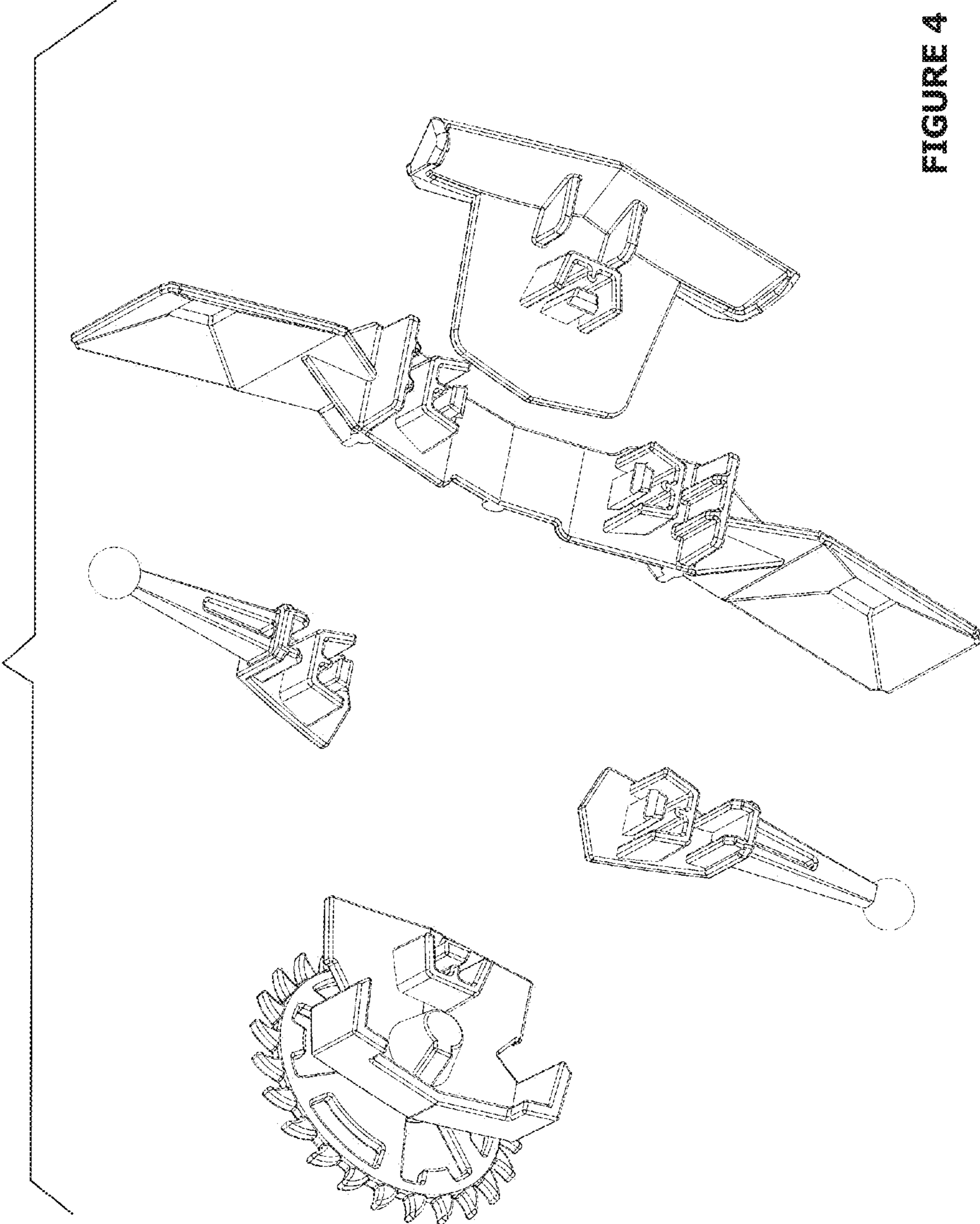


FIGURE 4

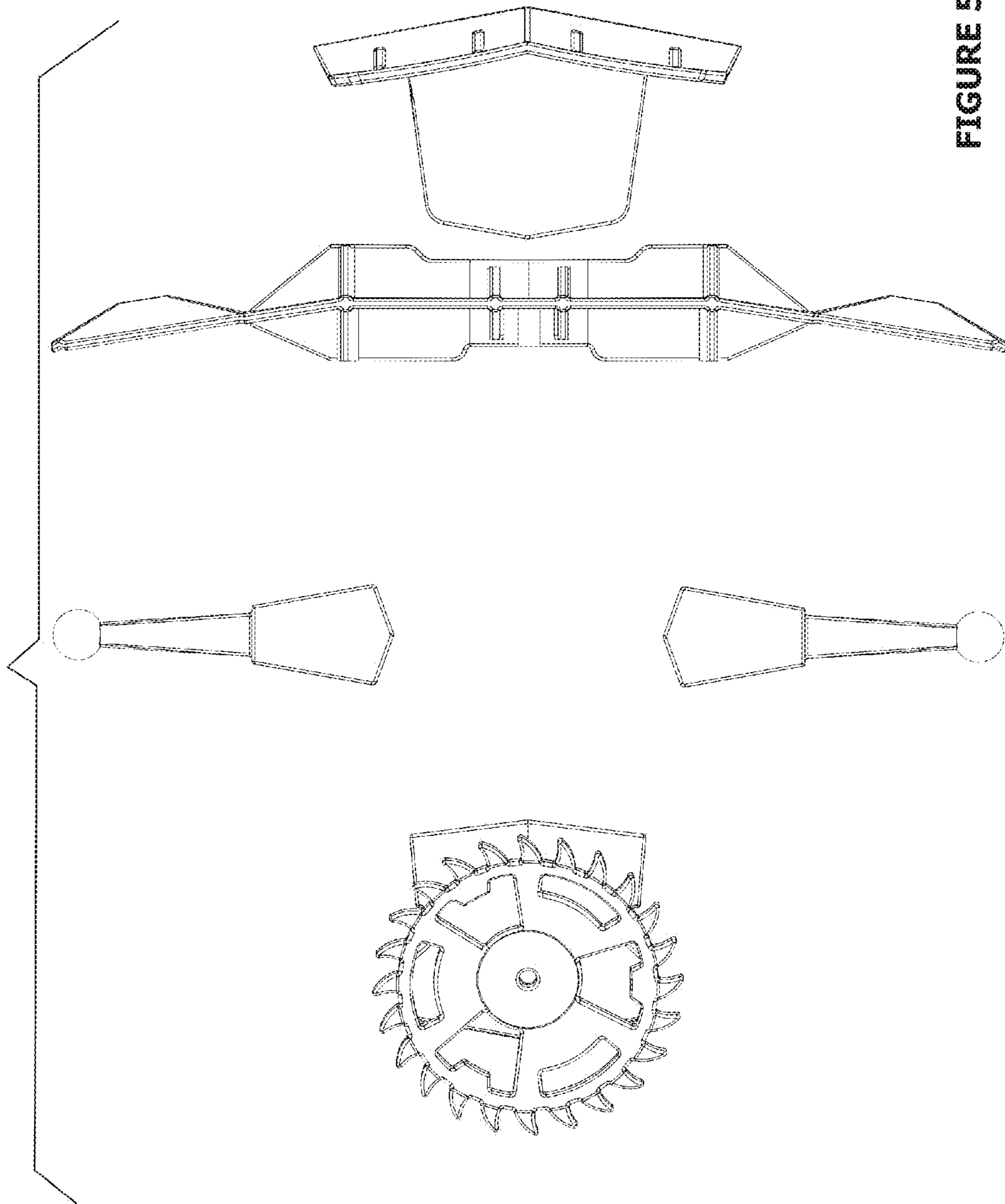


FIGURE 5

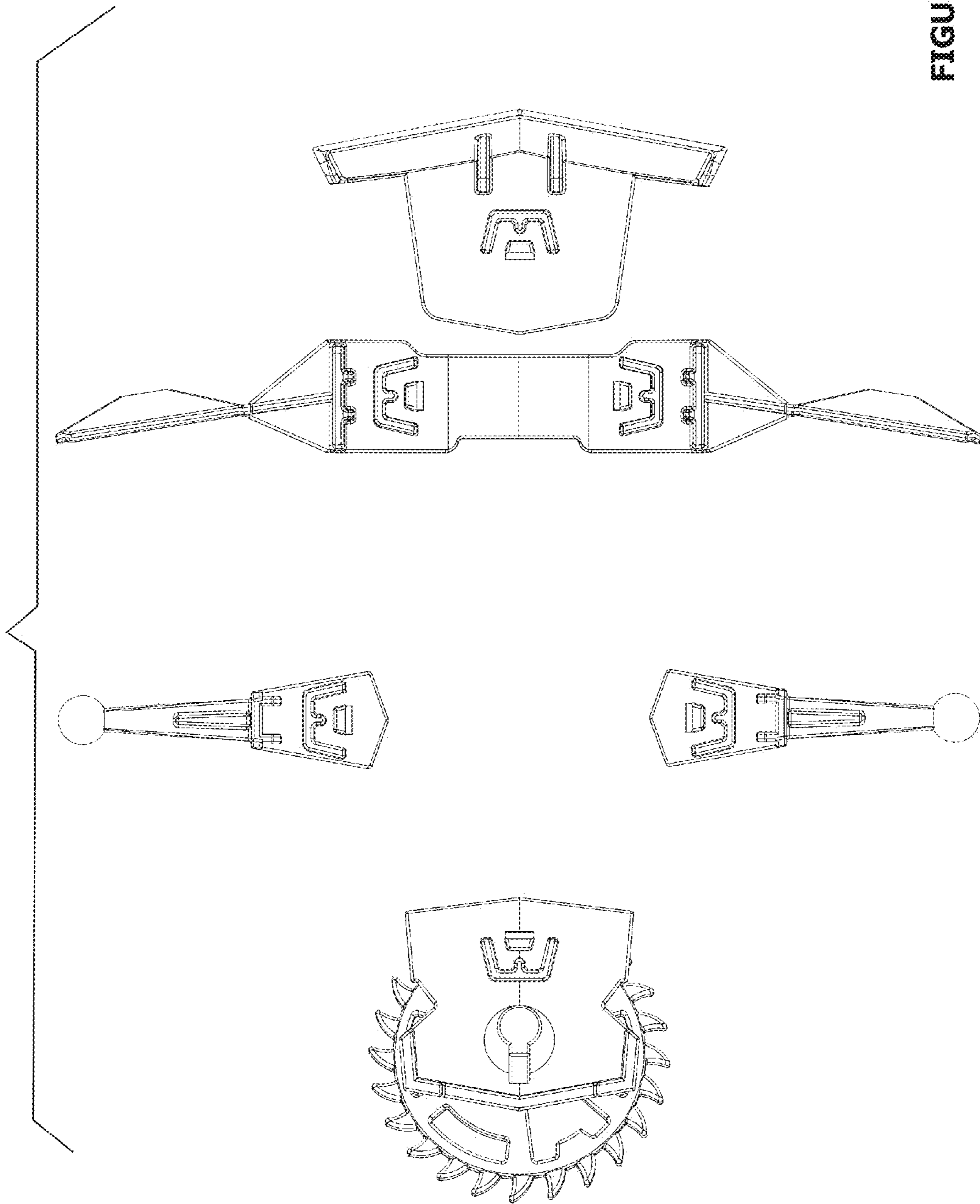


FIGURE 6

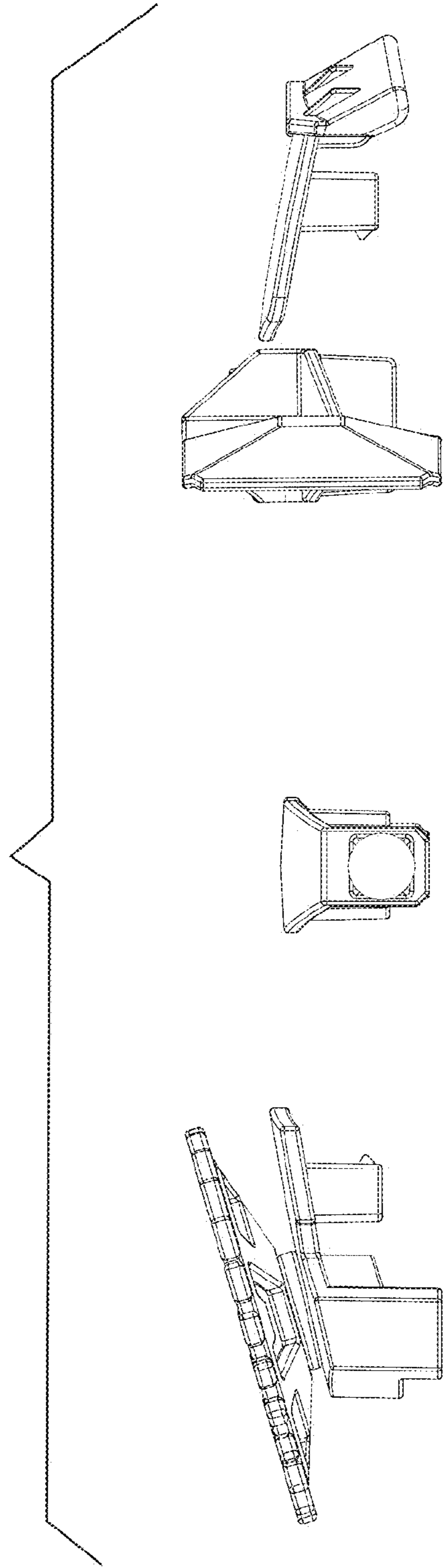


FIGURE 7

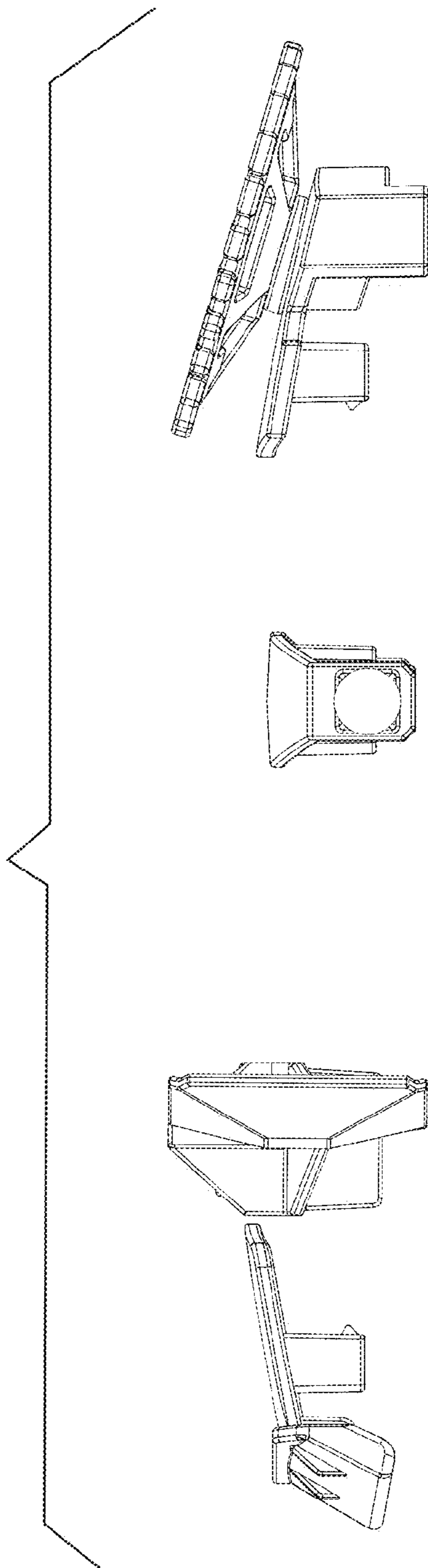


FIGURE 8

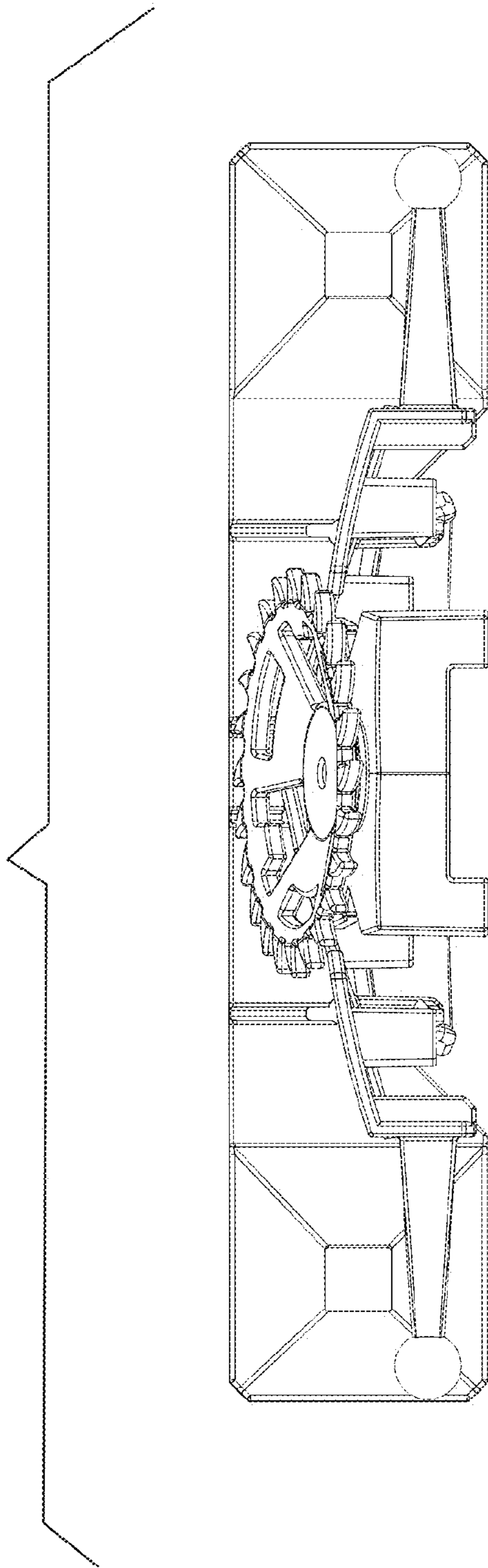


FIGURE 9

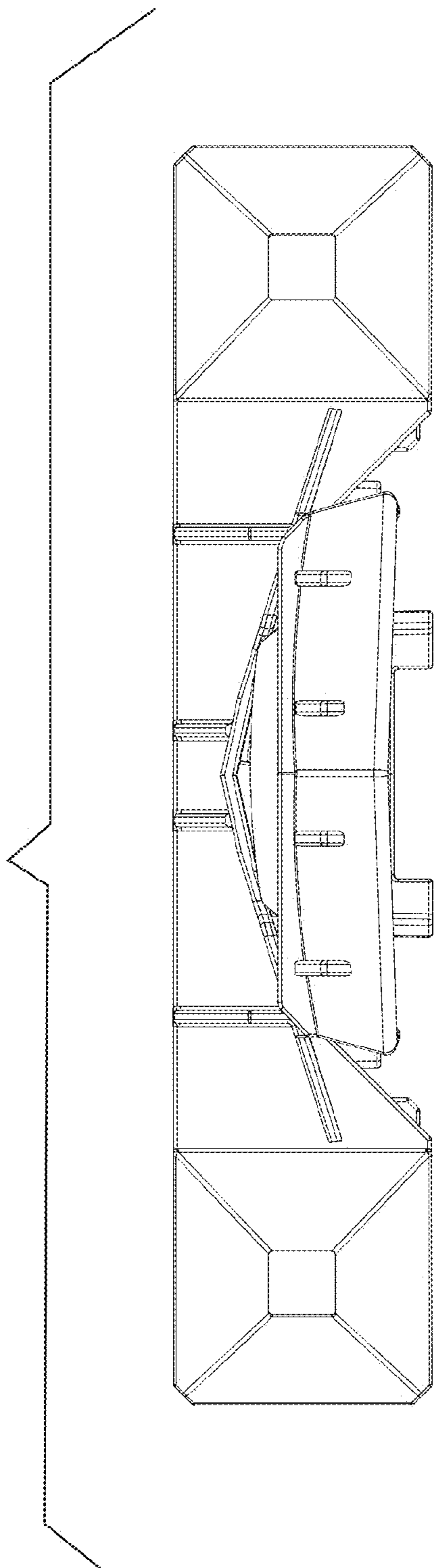


FIGURE 10