



US00D694343S

(12) **United States Design Patent**
Bell

(10) **Patent No.:** **US D694,343 S**

(45) **Date of Patent:** **** Nov. 26, 2013**

(54) **YO-YO**

(76) **Inventor:** **Dale L. Bell**, Riviera Beach, FL (US)

(**) **Term:** **14 Years**

(21) **Appl. No.:** **29/392,581**

(22) **Filed:** **May 24, 2011**

Related U.S. Application Data

(63) Continuation of application No. 29/378,302, filed on Nov. 2, 2010, now Pat. No. Des. 648,810, and a continuation-in-part of application No. 12/899,209, filed on Oct. 6, 2010.

(51) **LOC (9) Cl.** **21-01**

(52) **U.S. Cl.**
USPC **D21/464**

(58) **Field of Classification Search**
USPC D21/443, 451, 455-465, 563; D8/300, D8/310, 321, DIG. 2, DIG. 3; 446/36-48, 446/219, 235-266, 267, 450-453, 486, 487, 446/489-491

See application file for complete search history.

(56) **References Cited**

U.S. PATENT DOCUMENTS

179,377 A	6/1876	Weber	
892,951 A *	7/1908	Field	446/255
D39,757 S *	1/1909	Cruver	D21/464
2,030,302 A *	2/1936	Jones	446/255
D137,444 S *	3/1944	Davidson	D21/460
2,579,022 A	12/1951	Spencer	
2,891,351 A	6/1959	Madaras	
2,940,212 A	6/1960	Bond	
3,081,578 A *	3/1963	Mosher	446/251
3,175,326 A	3/1965	Isaacson	
3,233,359 A	2/1966	Salayka	

3,805,443 A	4/1974	Duncan, Jr.	
3,834,069 A	9/1974	Brown	
3,883,985 A *	5/1975	Dawson, Jr.	446/255
3,953,936 A	5/1976	Ennis	
4,130,962 A	12/1978	Ennis	
4,178,714 A *	12/1979	Tsen et al.	446/242
4,332,102 A	6/1982	Caffrey	
4,442,625 A	4/1984	MacCarthy	
4,895,547 A	1/1990	Amaral	
5,100,361 A	3/1992	Kuhn et al.	
5,254,027 A	10/1993	McAvoy, Jr.	
5,389,029 A	2/1995	McAvoy, Jr.	
5,769,686 A	6/1998	Duncan et al.	
5,813,898 A	9/1998	Van Dan Elzen et al.	
D412,188 S *	7/1999	Hadzicki et al.	D21/464
5,984,759 A	11/1999	O'Sullivan	

(Continued)

FOREIGN PATENT DOCUMENTS

CN	300694279	*	9/2007
CN	300701726	*	10/2007

(Continued)

Primary Examiner — Catherine Tuttle

(74) *Attorney, Agent, or Firm* — Charles J. Prescott, P.A.

(57) **CLAIM**

The ornamental design for a yo-yo, as shown and described.

DESCRIPTION

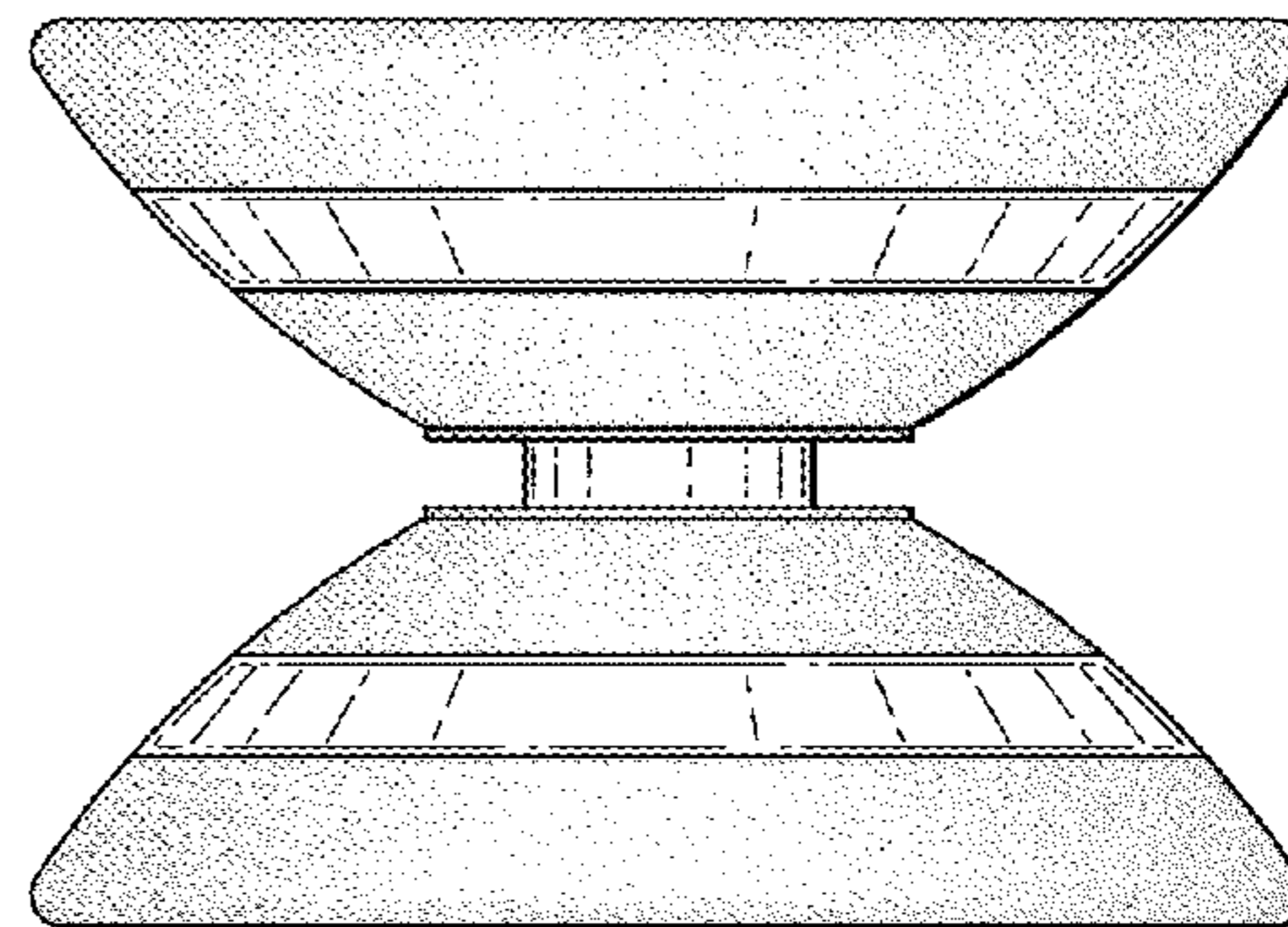
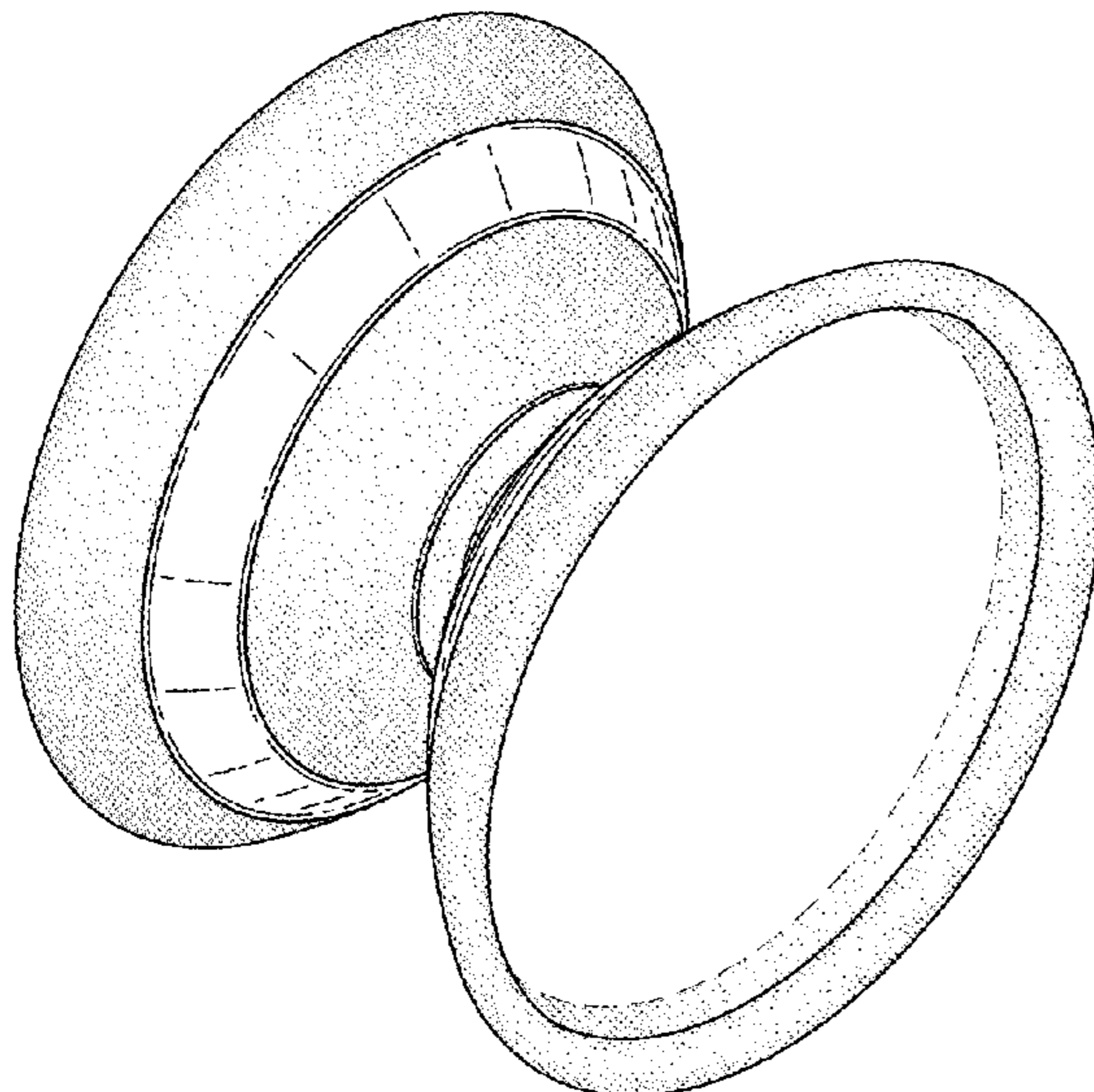
FIG. 1 is a perspective view of a yo-yo showing my new design;

FIG. 2 is a side elevation view of FIG. 1; and,

FIG. 3 is a top plan view of FIG. 1, the bottom plan view being identical.

The broken line is included for the purpose of illustrating the boundary of a portion of the yo-yo that together with the broken line itself forms no part of the claimed design.

1 Claim, 1 Drawing Sheet



(56)

References Cited

U.S. PATENT DOCUMENTS

6,004,183 A 12/1999 Dixon et al.
6,080,035 A 6/2000 Pekarsky et al.
6,080,036 A 6/2000 Adler
6,113,456 A 9/2000 Hadzicki et al.
6,142,850 A 11/2000 Levy
6,155,903 A 12/2000 Van Dan Elzen et al.
6,162,109 A * 12/2000 Baier 446/250
6,206,749 B1 3/2001 Bell
6,234,861 B1 5/2001 Ichii et al.
6,565,408 B1 5/2003 Marcantonio et al.
6,579,142 B1 6/2003 Rehkemper et al.
7,125,310 B1 * 10/2006 Van Dan Elzen 446/250
7,192,330 B2 * 3/2007 Van Dan Elzen 446/250

8,187,052 B2 * 5/2012 Van Dan Elzen et al. 446/250
2005/0287910 A1 12/2005 O'Sullivan
2006/0094329 A1 * 5/2006 Van Dan Elzen 446/250
2007/0105478 A1 5/2007 Van Dan Elzen et al.
2008/0171488 A1 7/2008 Van Dan Elzen et al.
2010/0317255 A1 * 12/2010 Van Dan Elzen 446/250

FOREIGN PATENT DOCUMENTS

CN 300757241 * 3/2008
CN 300767129 * 4/2008
CN 300785295 * 5/2008
GB 2200853 A * 8/1988
JP 11137859 A 5/1999
TW 281682 U * 12/2005

* cited by examiner

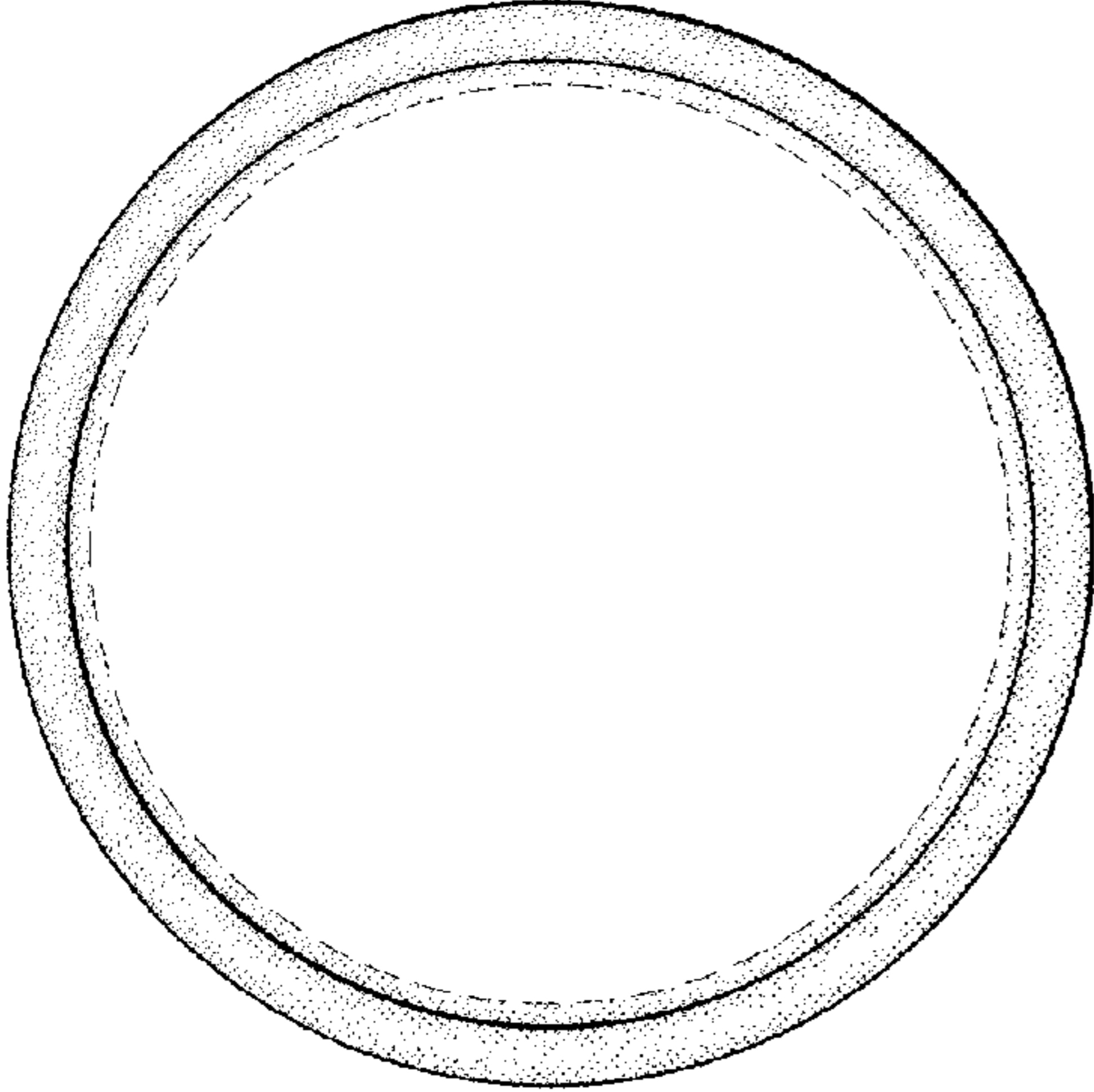


FIG. 2

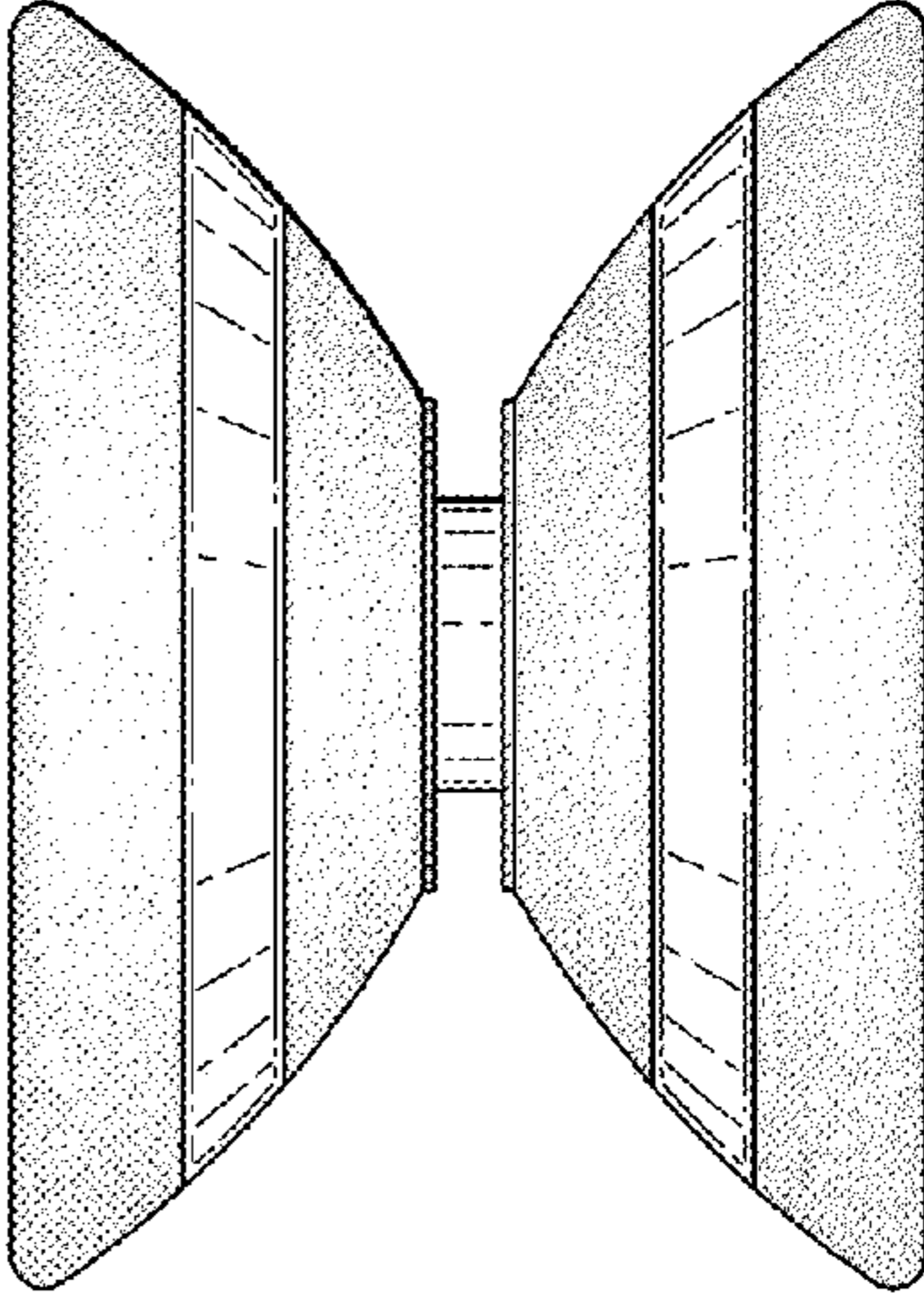


FIG. 3

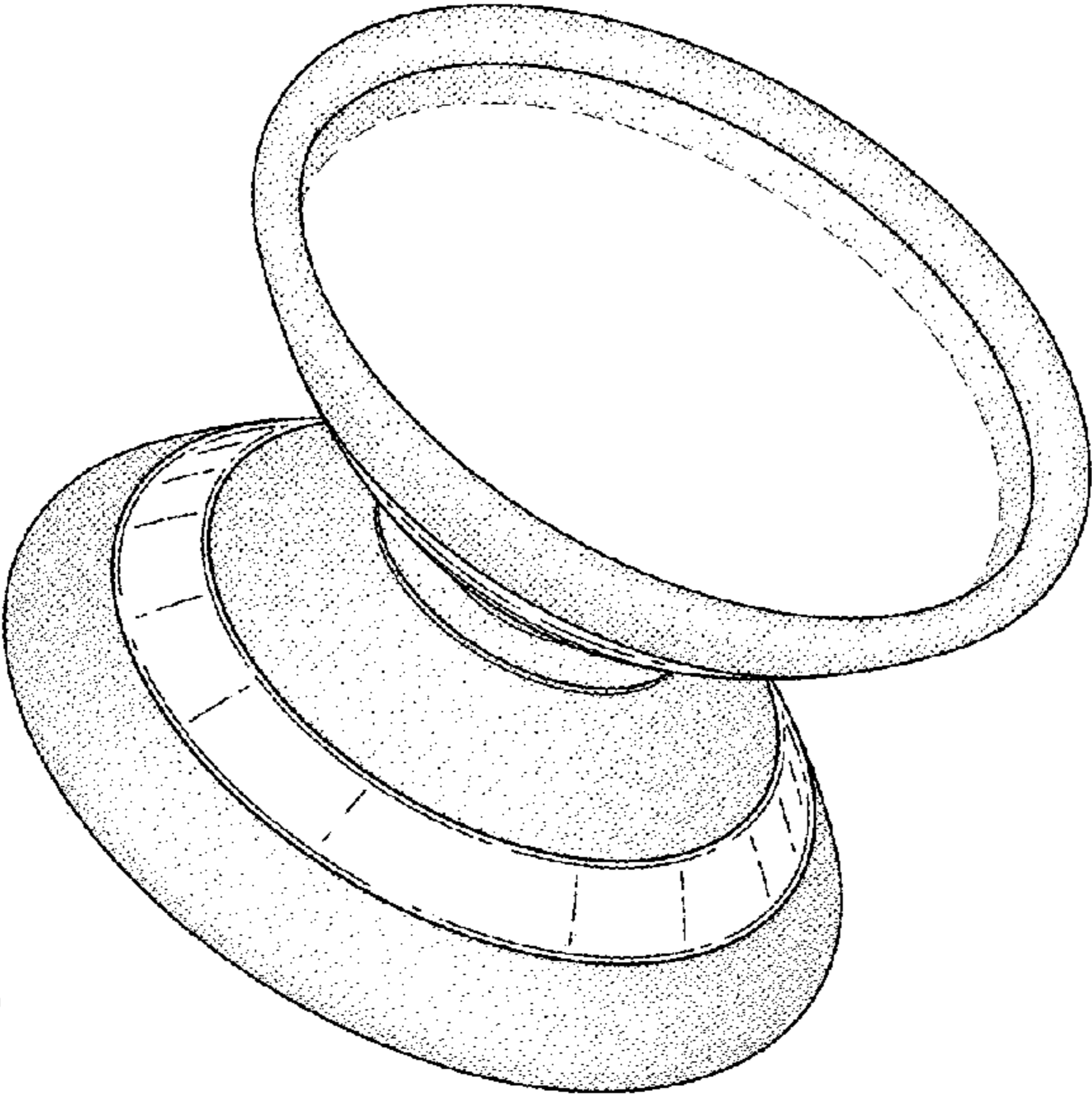


FIG. 1