



US00D694342S

(12) **United States Design Patent**  
**Bell**

(10) **Patent No.:** **US D694,342 S**

(45) **Date of Patent:** **\*\* Nov. 26, 2013**

(54) **YO-YO**

(76) **Inventor:** **Dale L. Bell**, Riviera Beach, FL (US)

(\*\*) **Term:** **14 Years**

(21) **Appl. No.:** **29/392,577**

(22) **Filed:** **May 24, 2011**

**Related U.S. Application Data**

(63) Continuation of application No. 29/378,302, filed on Nov. 2, 2010, now Pat. No. Des. 648,810, and a continuation-in-part of application No. 12/899,209, filed on Oct. 6, 2010.

(51) **LOC (9) Cl.** ..... **21-01**

(52) **U.S. Cl.**  
USPC ..... **D21/464**

(58) **Field of Classification Search**  
USPC ..... D21/443, 451, 455-465, 563; D8/300,  
D8/310, 321, DIG. 2, DIG. 3; 446/36-48,  
446/219, 235-266, 267, 450-453, 486, 487,  
446/489-491

See application file for complete search history.

(56) **References Cited**

**U.S. PATENT DOCUMENTS**

179,377 A	6/1876	Weber	
892,951 A *	7/1908	Field	446/255
D39,757 S *	1/1909	Cruver	D21/464
2,030,302 A *	2/1936	Jones	446/255
D137,444 S *	3/1944	Davidson	D21/460
2,579,022 A	12/1951	Spencer	
2,891,351 A	6/1959	Madaras	
2,940,212 A	6/1960	Elton	
3,081,578 A *	3/1963	Mosher	446/251
3,175,326 A	3/1965	Isaacson	
3,233,359 A	2/1966	Salayka	

3,805,443 A	4/1974	Duncan	
3,834,069 A	9/1974	Brown	
3,883,985 A *	5/1975	Dawson, Jr.	446/255
3,953,936 A	5/1976	Ennis	
4,130,962 A	12/1978	Ennis	
4,178,714 A *	12/1979	Tsen et al.	446/242
4,332,102 A	6/1982	Caffrey	
4,442,625 A	4/1984	MacCarthy	
4,895,547 A	1/1990	Amaral	
5,100,361 A	3/1992	Kuhn et al.	
5,254,027 A	10/1993	McAvoy, Jr.	
5,389,029 A	2/1995	McAvoy, Jr.	
5,769,686 A	6/1998	Duncan et al.	
5,813,898 A	9/1998	Van Dan Elzen et al.	
D412,188 S *	7/1999	Hadzicki et al.	D21/464
5,984,759 A	11/1999	O'Sullivan	
6,004,183 A	12/1999	Dixon et al.	
6,080,035 A	6/2000	Pekarsky et al.	
6,080,036 A	6/2000	Adler	
6,113,456 A	9/2000	Hadzicki et al.	

(Continued)

**FOREIGN PATENT DOCUMENTS**

CN	300685001	*	8/2007
CN	300701726	*	10/2007

(Continued)

*Primary Examiner* — Catherine Tuttle

(74) *Attorney, Agent, or Firm* — Charles J. Prescott, P.A.

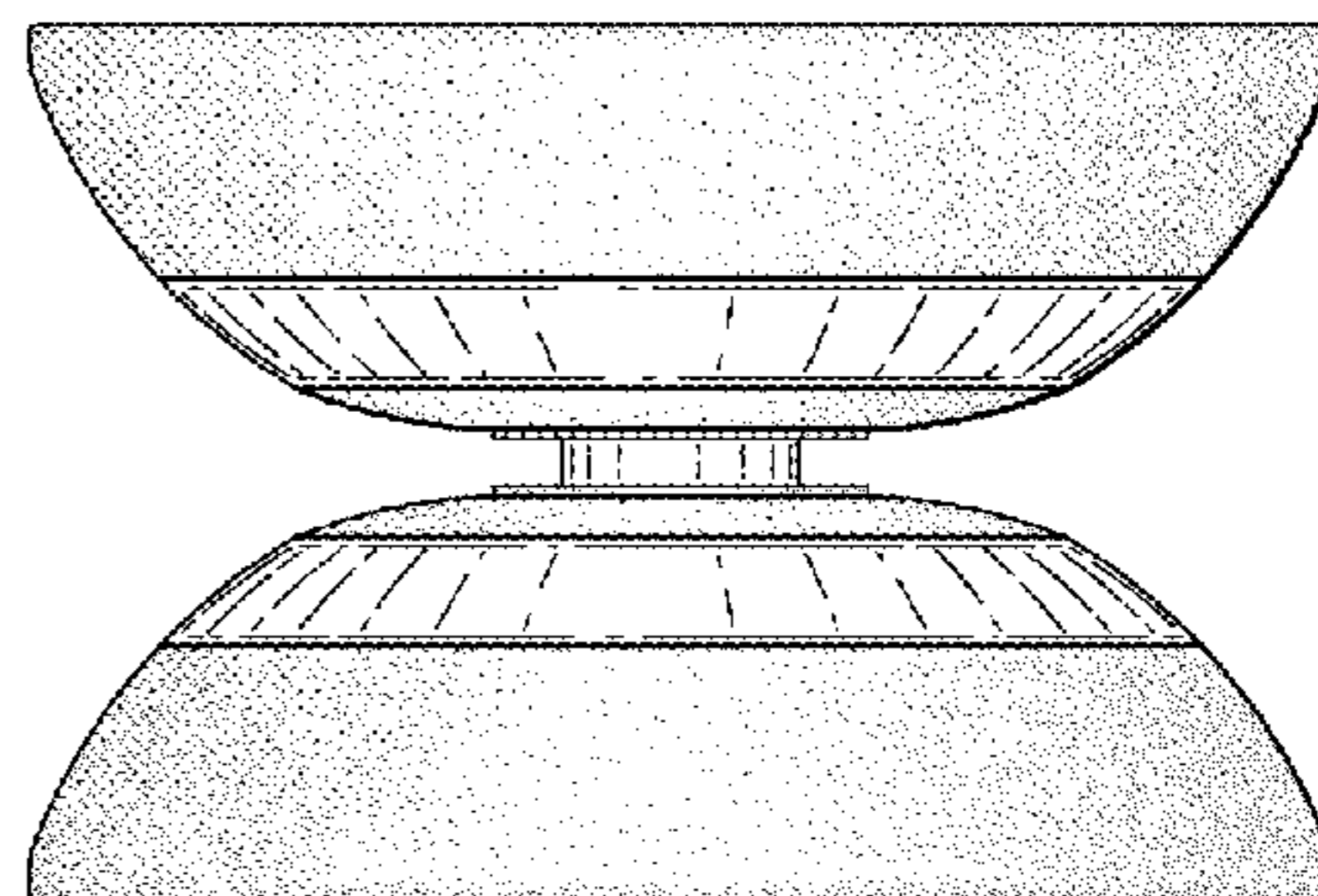
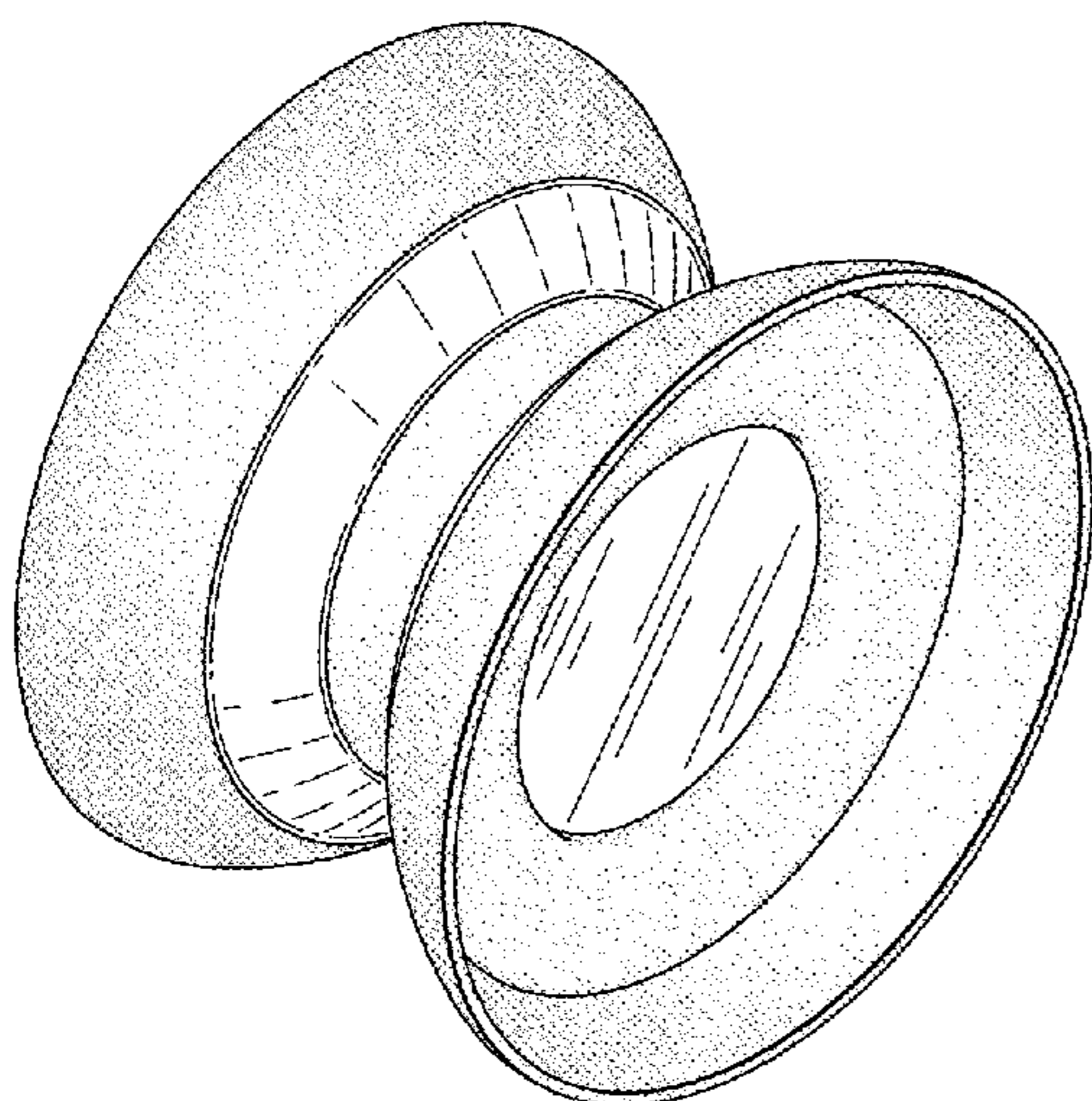
(57) **CLAIM**

The ornamental design for a yo-yo, as shown and described.

**DESCRIPTION**

FIG. 1 is a perspective view of a yo-yo showing my new design;  
FIG. 2 is a side elevation view of FIG. 1; and,  
FIG. 3 is a top plan view of FIG. 1, the bottom plan view being identical.

**1 Claim, 1 Drawing Sheet**



(56)

References Cited

U.S. PATENT DOCUMENTS

6,142,850 A 11/2000 Levy  
6,155,903 A 12/2000 Van Dan Elzen et al.  
6,162,109 A \* 12/2000 Baier ..... 446/250  
6,206,749 B1 3/2001 Bell  
6,234,861 B1 5/2001 Ichii et al.  
6,565,408 B1 5/2003 Marcantonio et al.  
6,579,142 B1 6/2003 Rehkemper et al.  
7,125,310 B1 \* 10/2006 Van Dan Elzen ..... 446/250  
7,192,330 B2 \* 3/2007 Van Dan Elzen ..... 446/250  
8,187,052 B2 \* 5/2012 Van Dan Elzen et al. .... 446/250  
2005/0287910 A1 12/2005 O'Sullivan  
2006/0094329 A1 \* 5/2006 Van Dan Elzen ..... 446/250

2007/0105478 A1 5/2007 Van Dan Elzen et al.  
2008/0171488 A1 7/2008 Van Dan Elzen et al.  
2010/0317255 A1 \* 12/2010 Van Dan Elzen ..... 446/250

FOREIGN PATENT DOCUMENTS

CN 300757241 \* 3/2008  
CN 300757242 \* 3/2008  
CN 300785295 \* 5/2008  
CN 301264724 \* 6/2010  
GB 2200853 A \* 8/1988  
JP 11137859 A 5/1999  
TW 281682 U \* 12/2005

\* cited by examiner

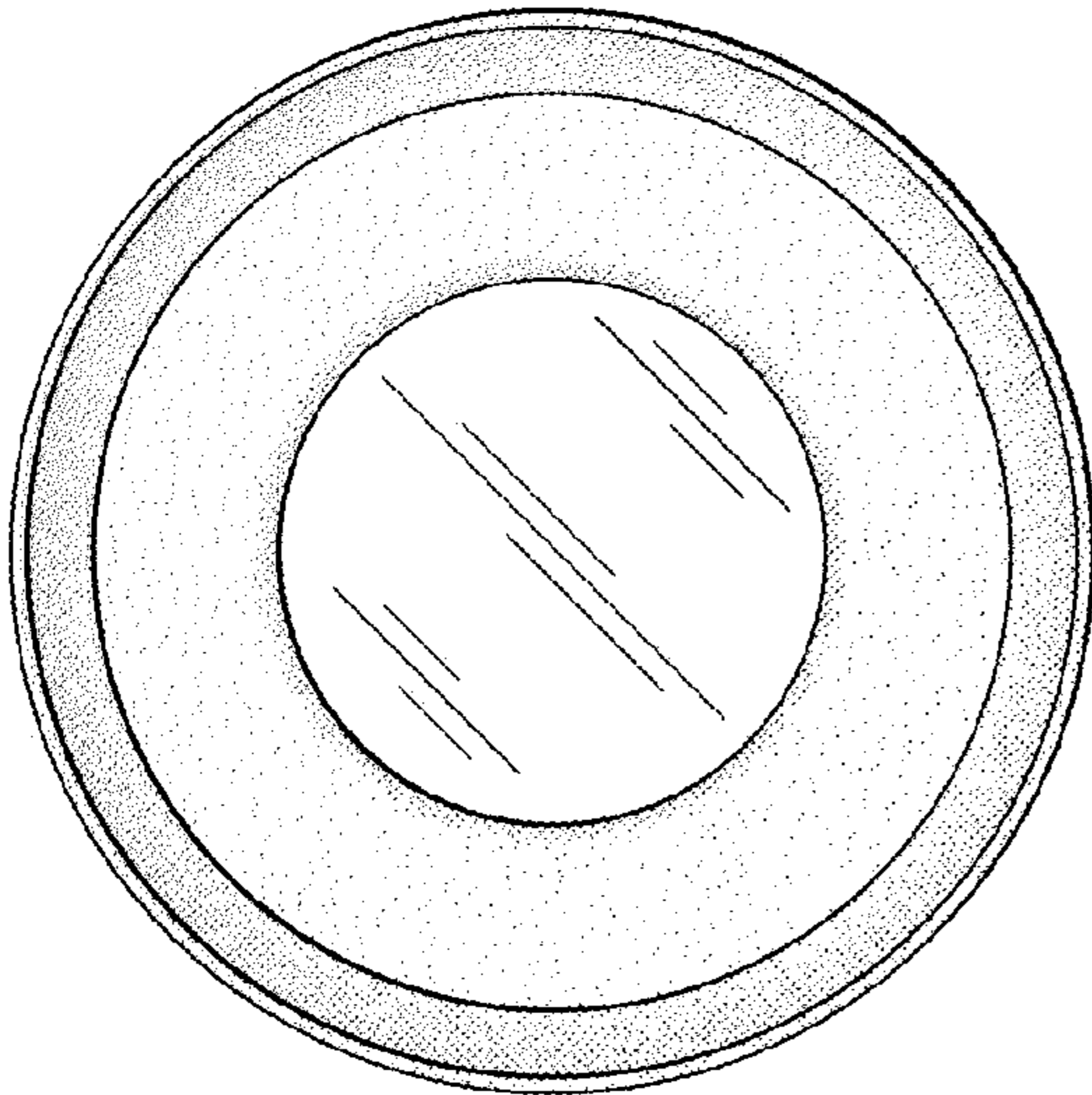


FIG. 2

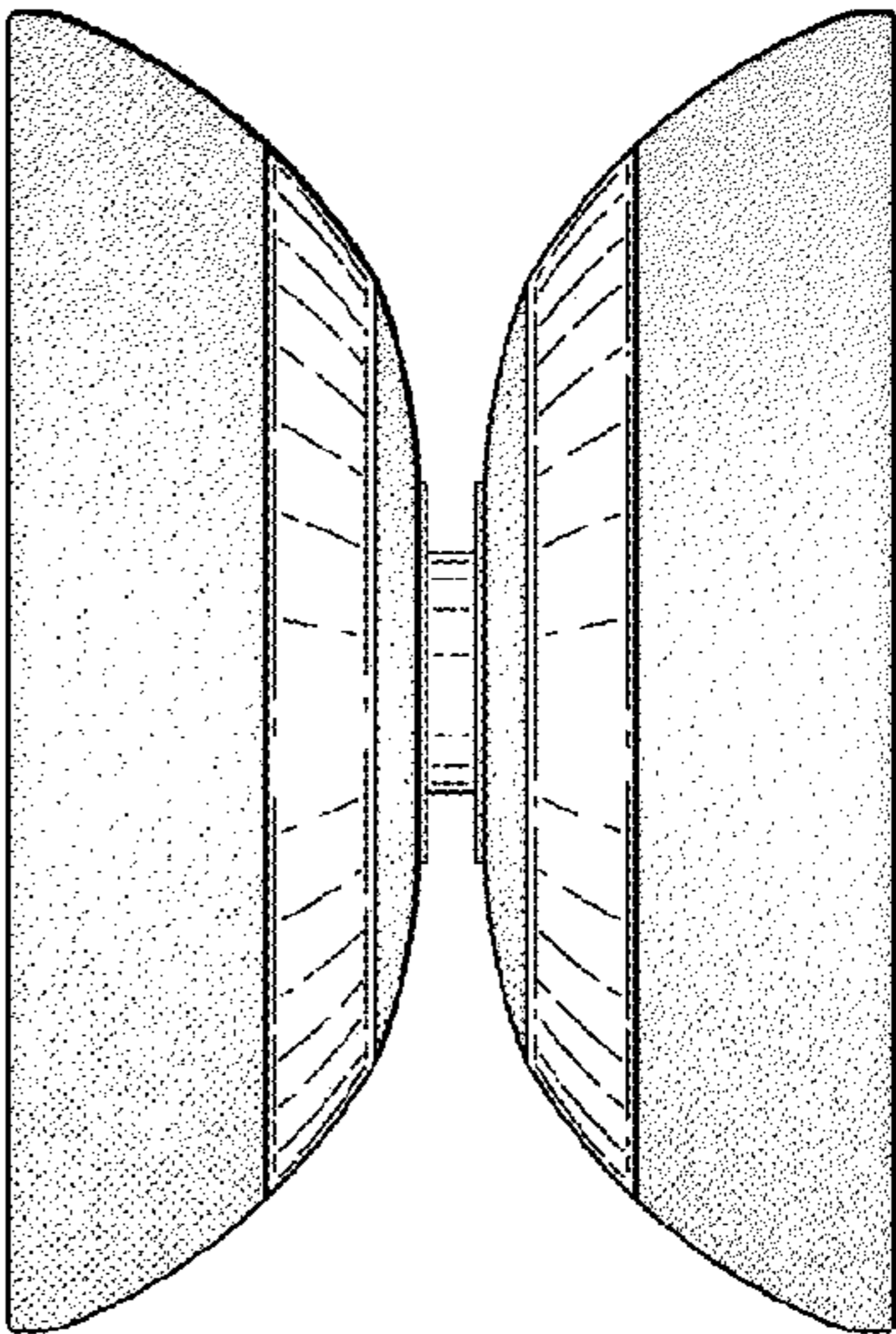


FIG. 3

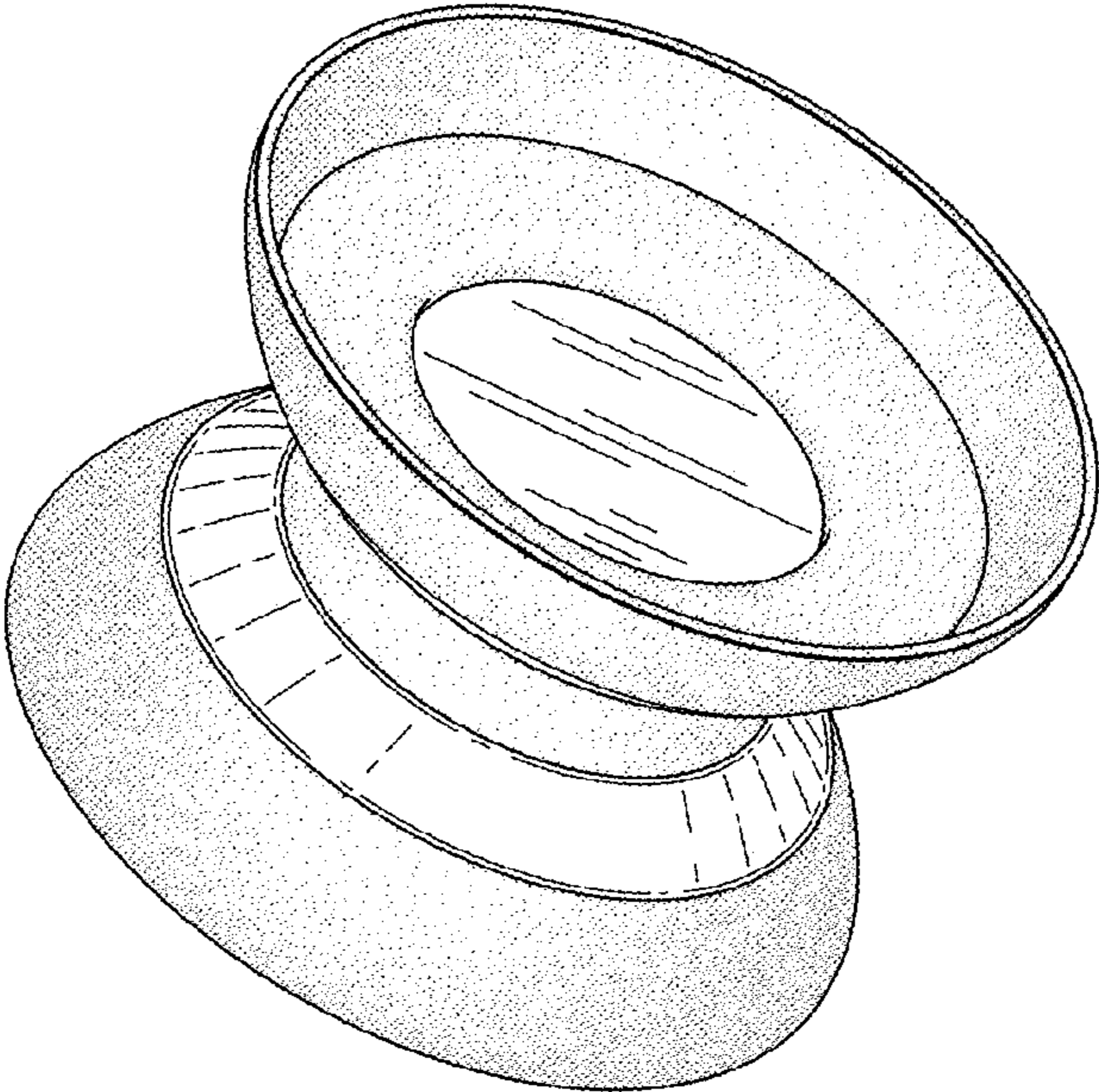


FIG. 1