



US00D694341S

(12) **United States Design Patent**
Quint, Jr.

(10) **Patent No.:** **US D694,341 S**

(45) **Date of Patent:** **** Nov. 26, 2013**

(54) **PINBALL-TYPE BASEBALL GAME**

(76) Inventor: **Richard L. Quint, Jr.**, Walnut Creek,
CA (US)

(**) Term: **14 Years**

(21) Appl. No.: **29/431,025**

(22) Filed: **Aug. 31, 2012**

(51) **LOC (9) Cl.** **21-01**

(52) **U.S. Cl.**
USPC **D21/315**

(58) **Field of Classification Search**

USPC D21/314, 315, 339, 355, 356;
273/108.3, 259, 108.31, 108.32,
273/108.33, 244.1, 244.2, 277, 317.6,
273/317.9, 123 R, 126 R

See application file for complete search history.

(56) **References Cited**

U.S. PATENT DOCUMENTS

D87,400	S	*	7/1932	Miner	D21/315
3,009,452	A	*	11/1961	Barber et al.	124/27
4,504,056	A	*	3/1985	Kanno	273/108.33
4,877,244	A	*	10/1989	Burrows et al.	273/108.31
4,976,434	A	*	12/1990	Wikner	273/108.31
D320,415	S	*	10/1991	Wikner	D21/315
5,183,266	A	*	2/1993	Kohler	273/108.32
D346,918	S	*	5/1994	Faiola	D6/470
5,407,204	A	*	4/1995	Meyer, III	273/244.2
D470,894	S	*	2/2003	Oister et al.	D21/315
D525,662	S	*	7/2006	Quinn	D21/315

* cited by examiner

Primary Examiner — Prabhakar Deshmukh

(74) *Attorney, Agent, or Firm* — Donald L. Beeson; Beeson Skinner Beverly, LLP

(57) **CLAIM**

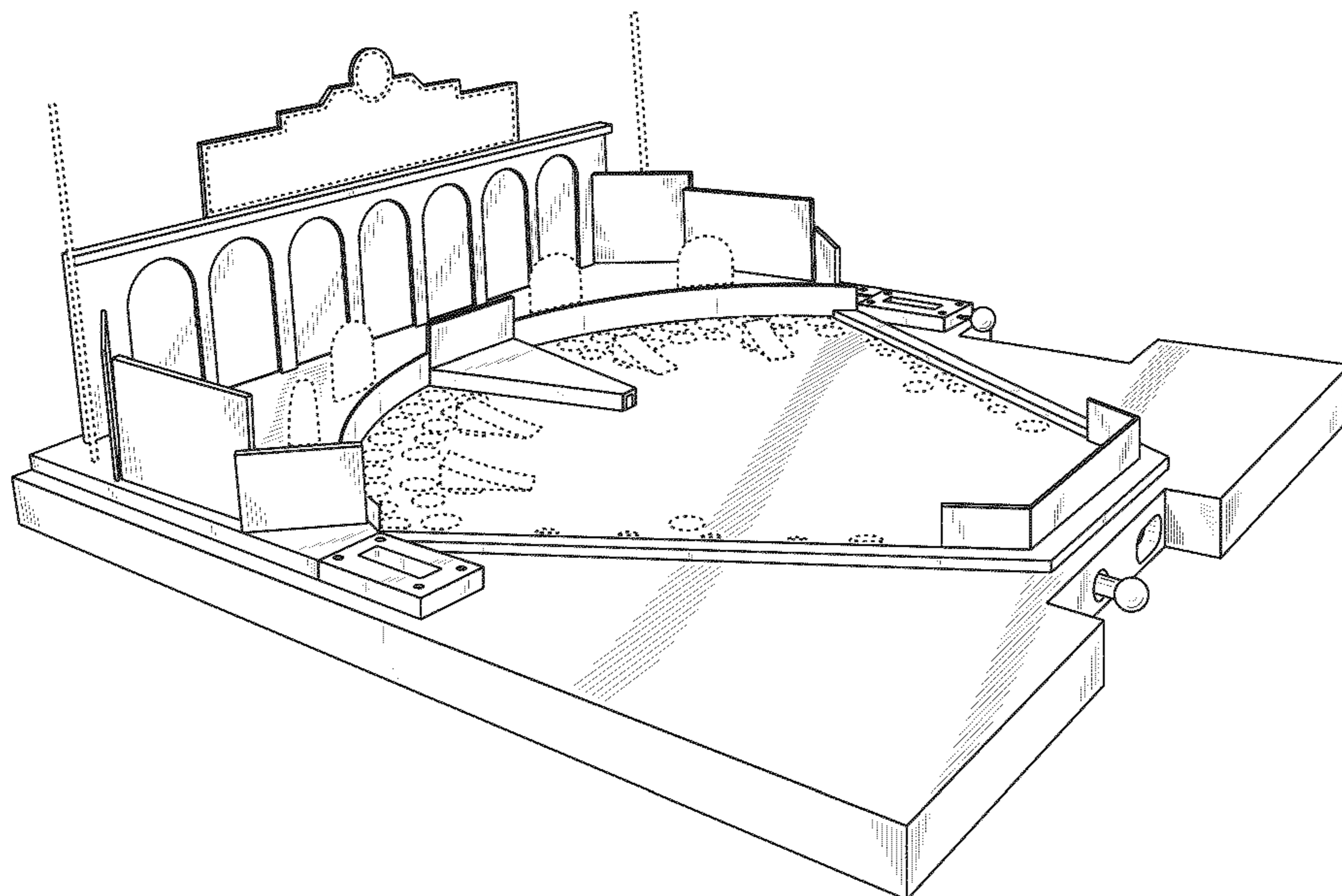
The ornamental design for a pinball-type baseball game, as shown and described.

DESCRIPTION

FIG. 1 is a front top perspective view of a pinball-type baseball game showing my new design; FIG. 2 is a rear top perspective view thereof; FIG. 3 is a front elevational view thereof; FIG. 4 is a rear elevational view thereof; FIG. 5 is a right side elevational view thereof; FIG. 6 is a left side elevational view thereof; FIG. 7 is a top plan view thereof; FIG. 8 is a bottom plan view thereof; and, FIG. 9 is a cross-sectional view taken along lines 9-9 in FIG. 7, and is provided for clarification purposes only.

The following broken lines represent the bounds of the claimed design and enclose areas that form no part of the claimed design: the broken line perimeter border on the scoreboard shown at the top of FIGS. 1 and 3; the oval openings shown at the bottom of FIG. 3; the broken line perimeter border shown in FIG. 8; and the broken line interior area rectangles shown at the bottom of FIG. 9. All other broken lines are directed to environmental structures and are for illustrative purposes only; such other broken lines also form no part of the claimed design. The unclaimed environmental structures represented in broken lines include a round clock shown on the top of the scoreboard in FIGS. 1 and 2; a flagpole shown in FIGS. 1-7 and 9; baseball memorabilia cards shown beyond the outfield fence in FIGS. 1-3 and 7; and ball capture holes and ball launch ramps shown in the field of play in FIGS. 1-2 and 7.

1 Claim, 7 Drawing Sheets



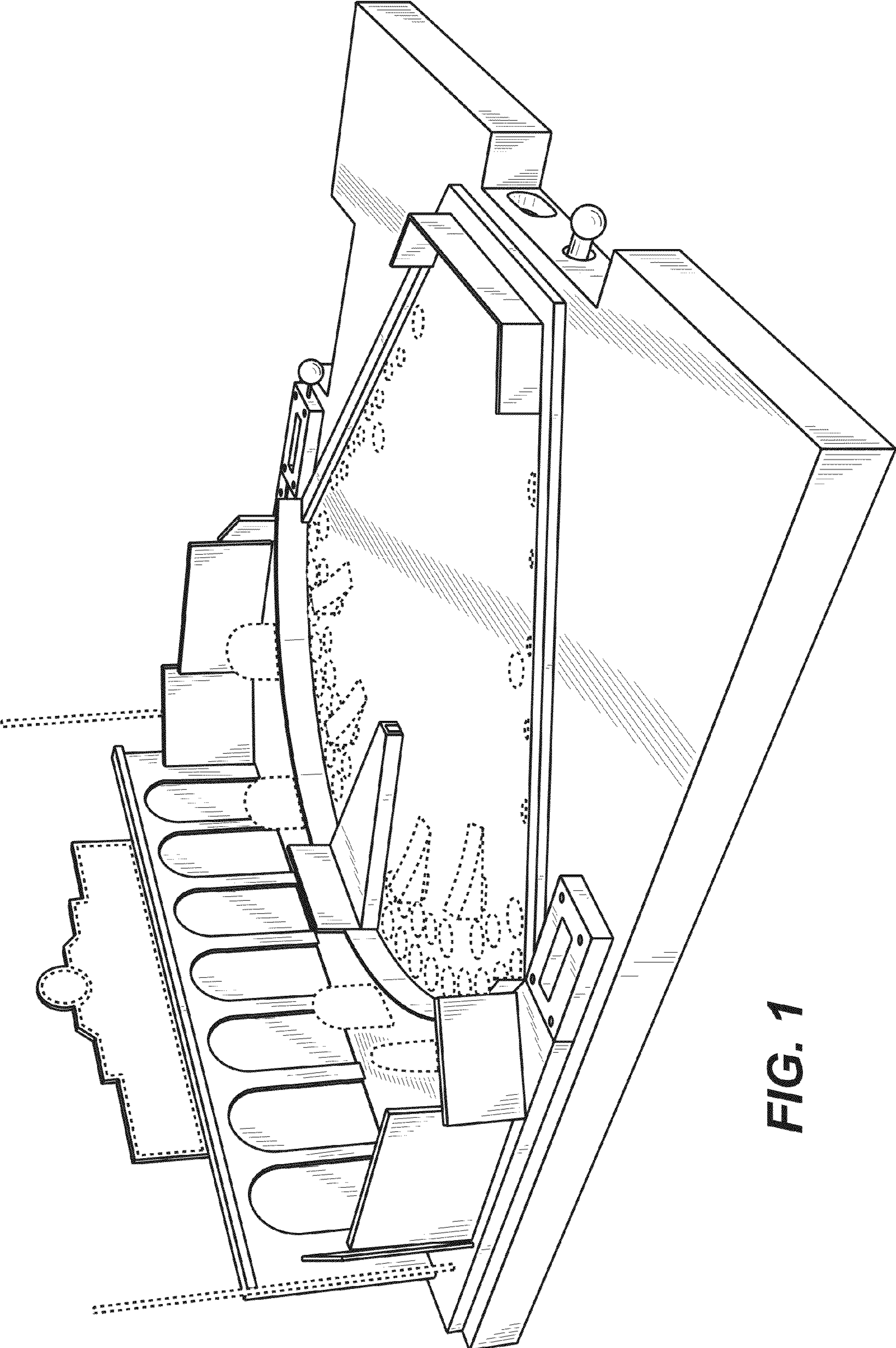


FIG. 1

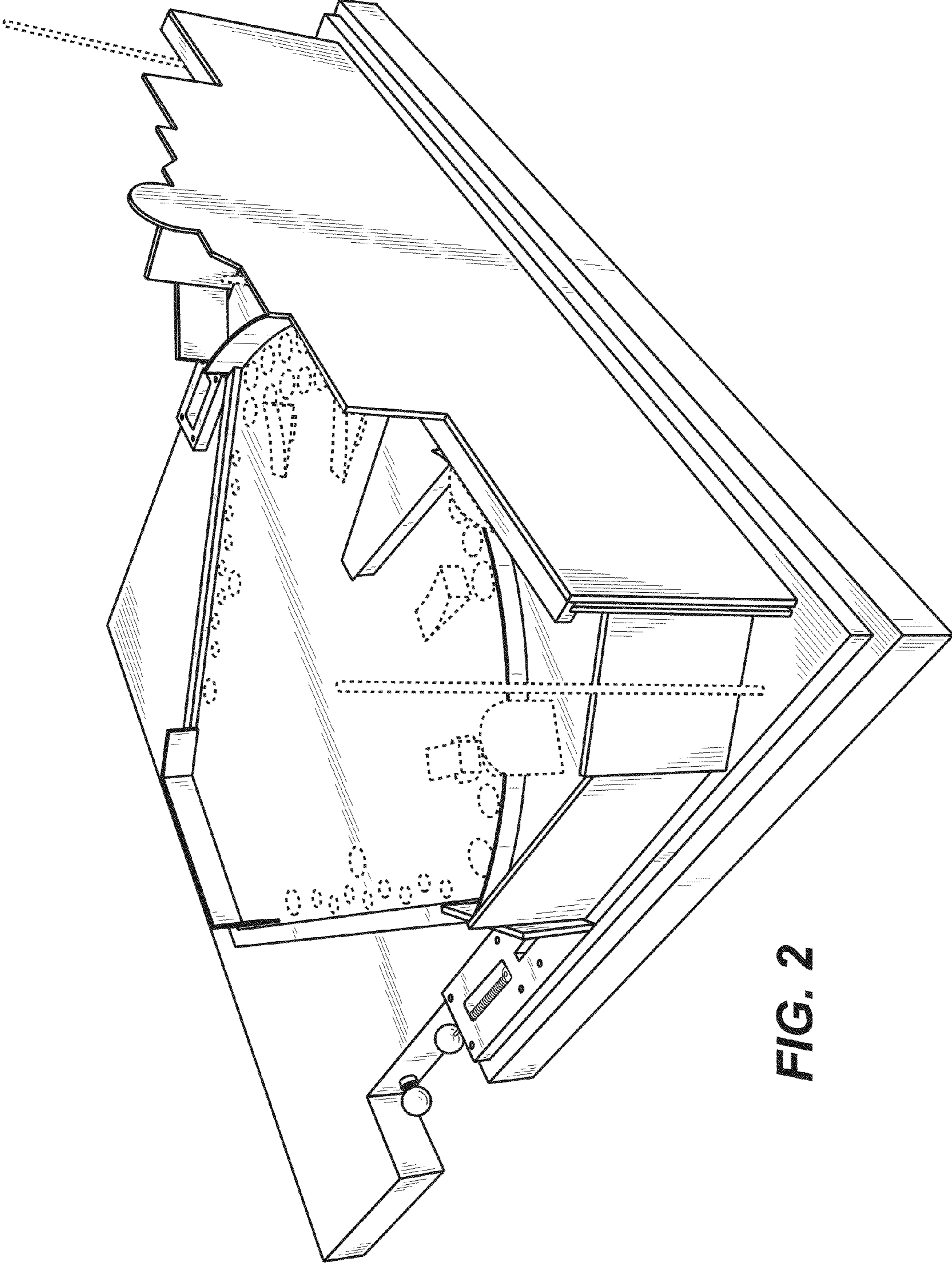


FIG. 2

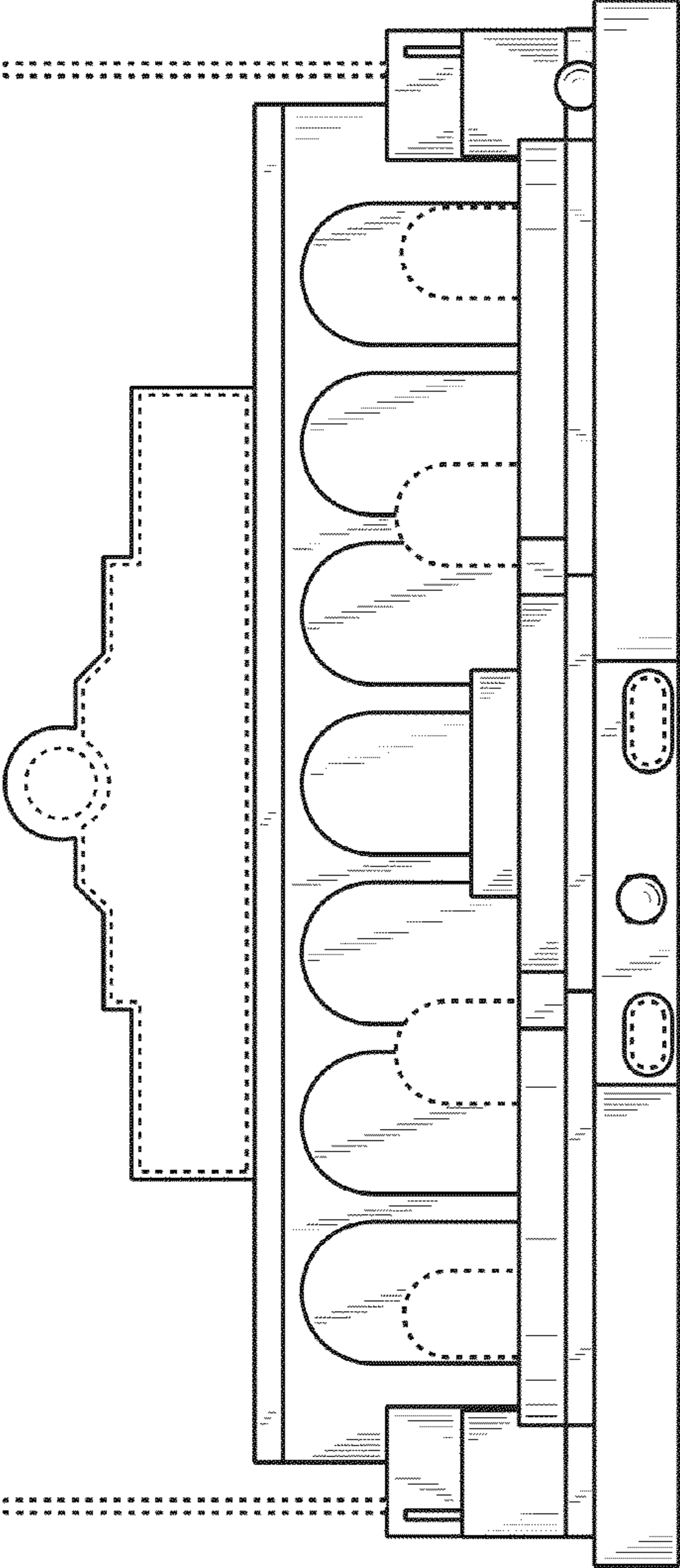


FIG. 3

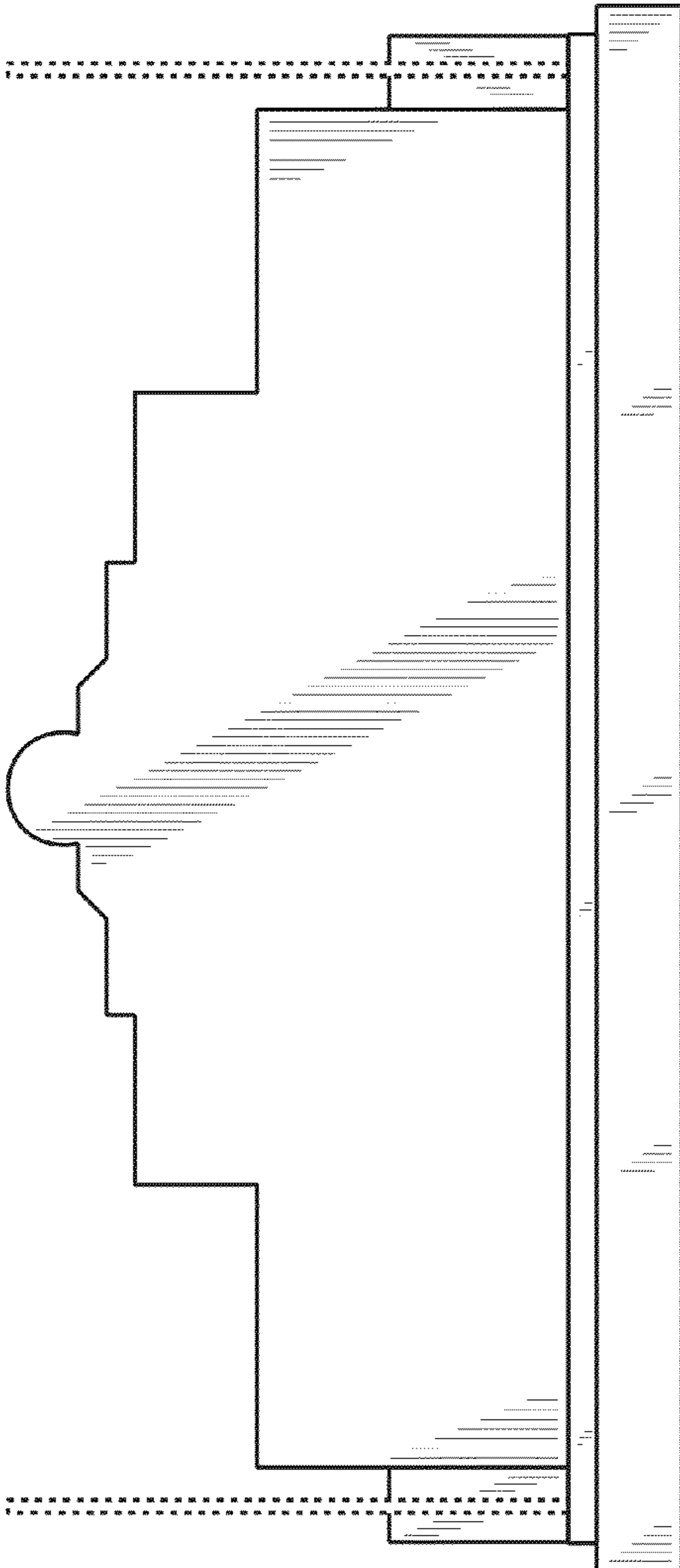


FIG. 4

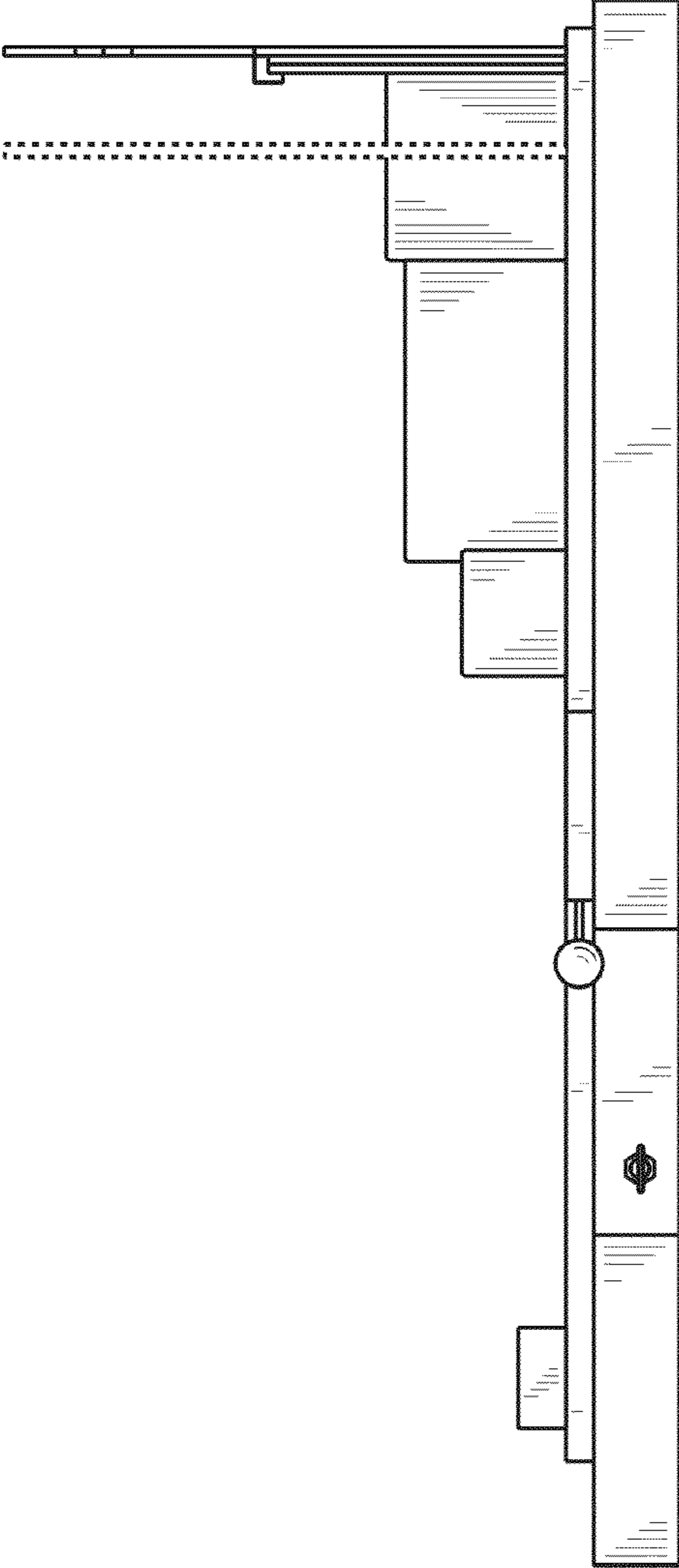


FIG. 5

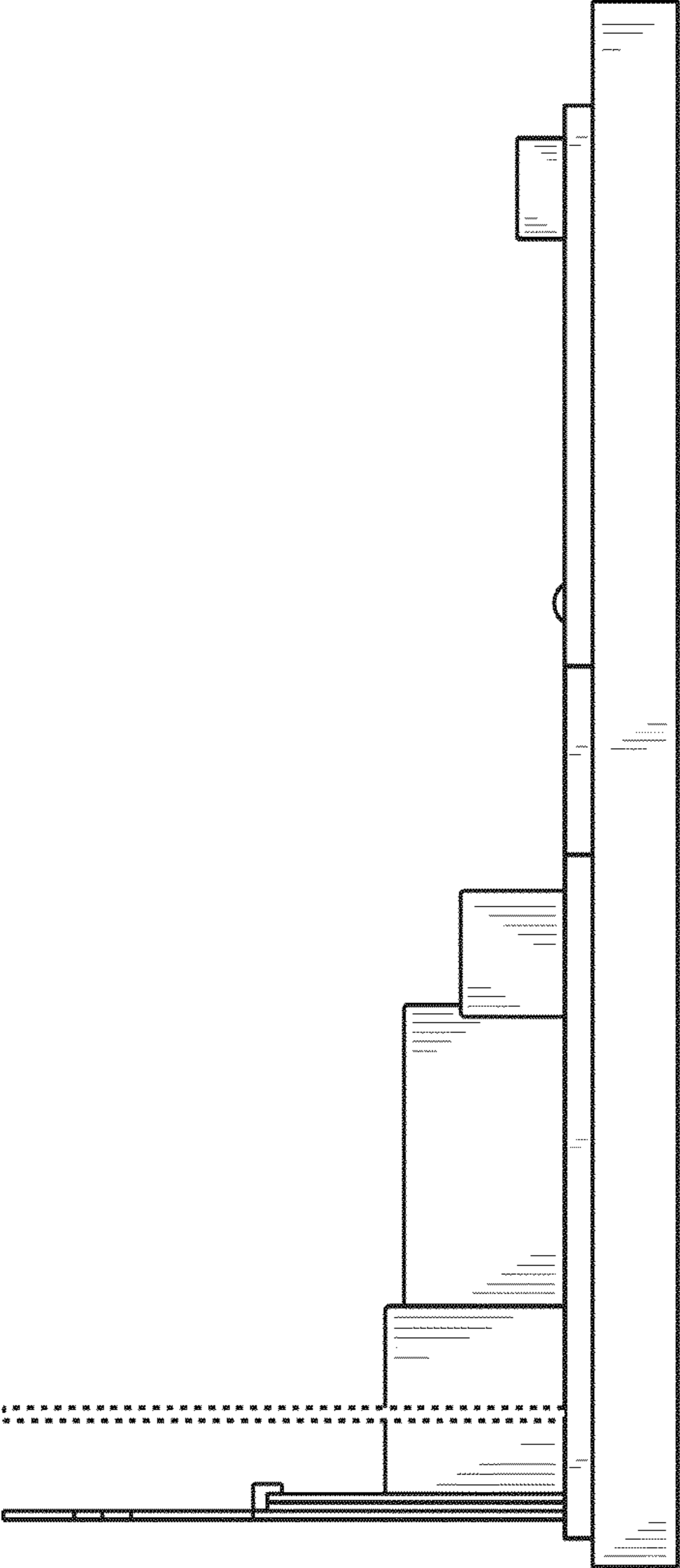


FIG. 6

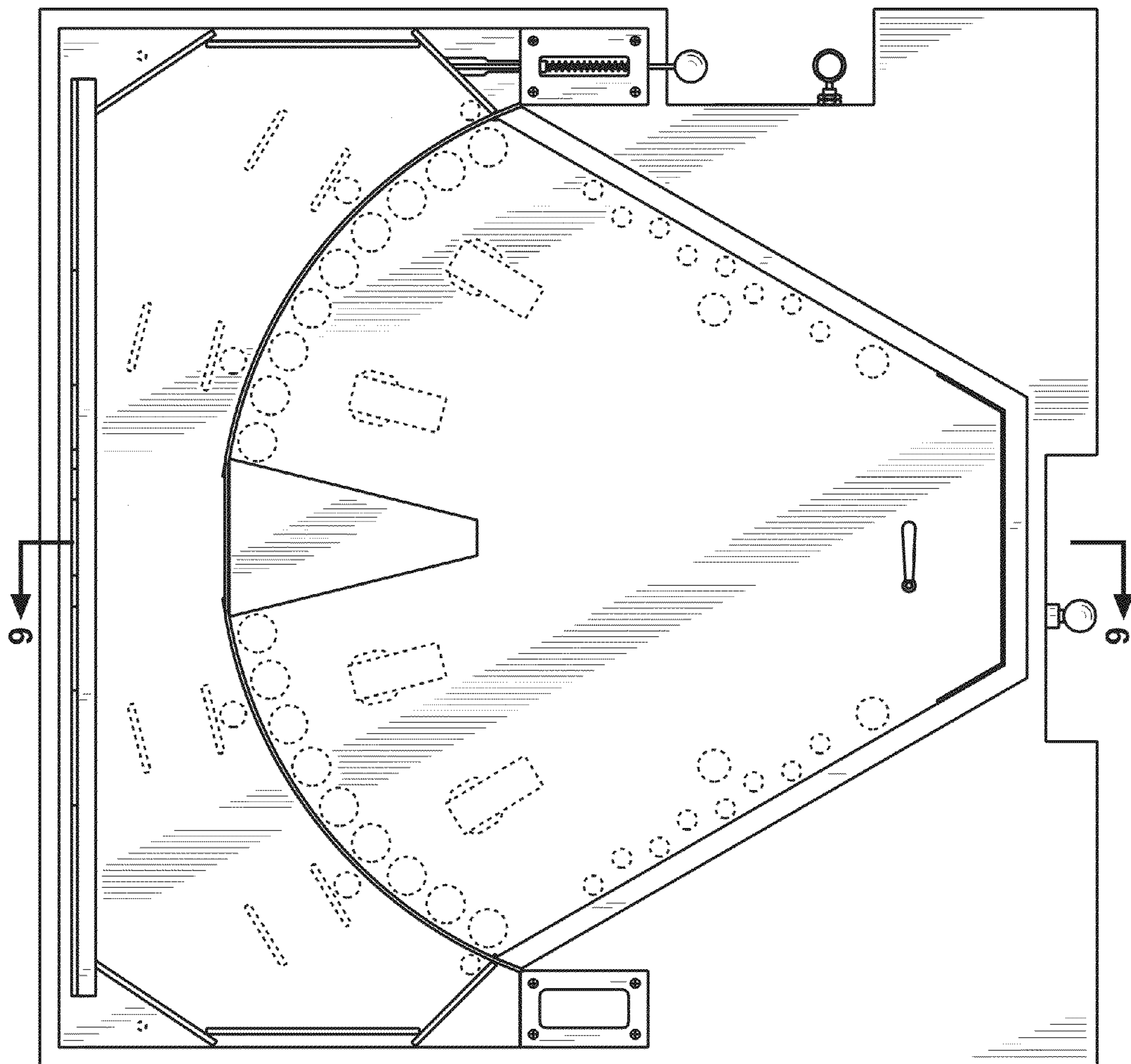


FIG. 7

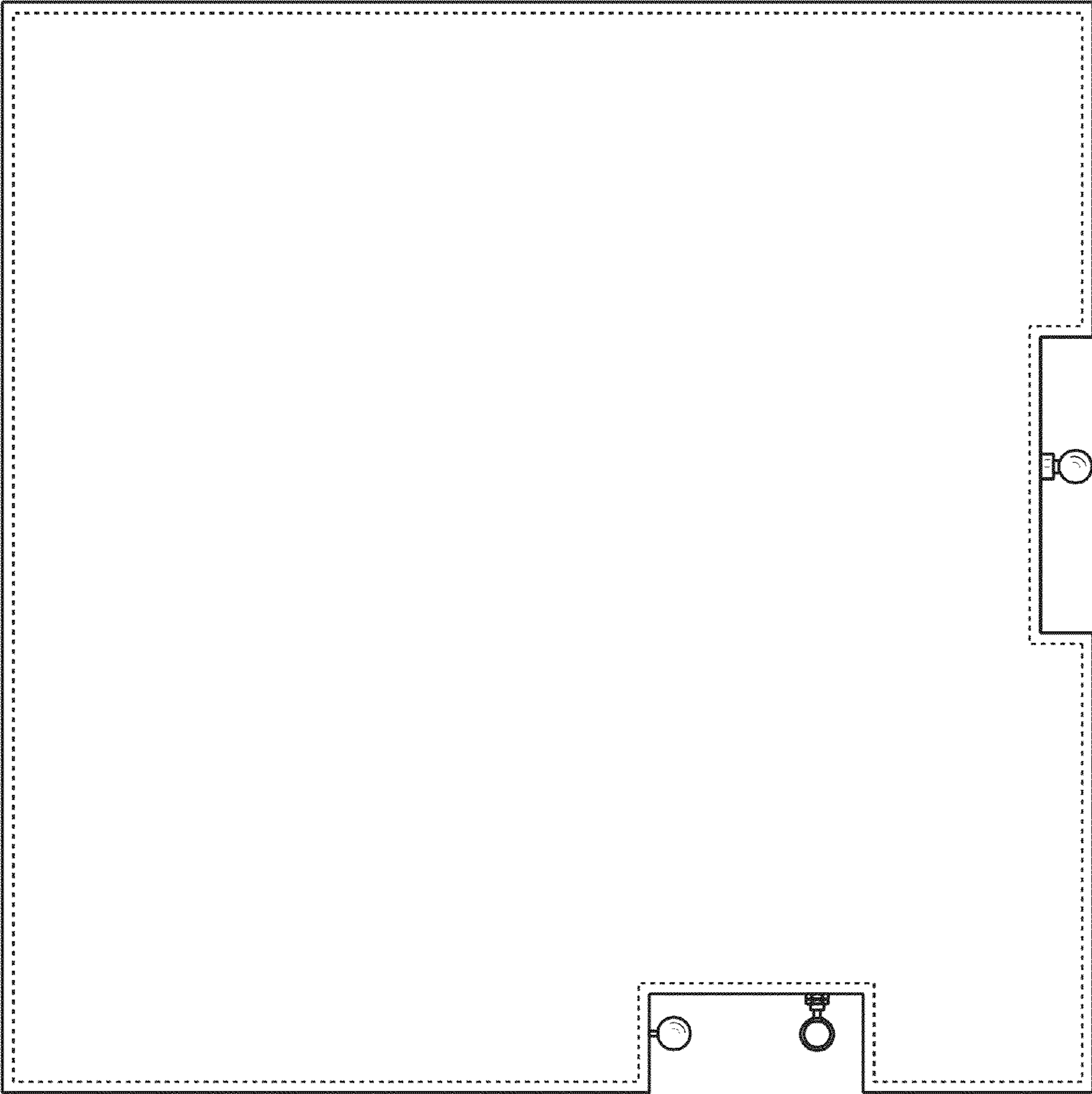


FIG. 8

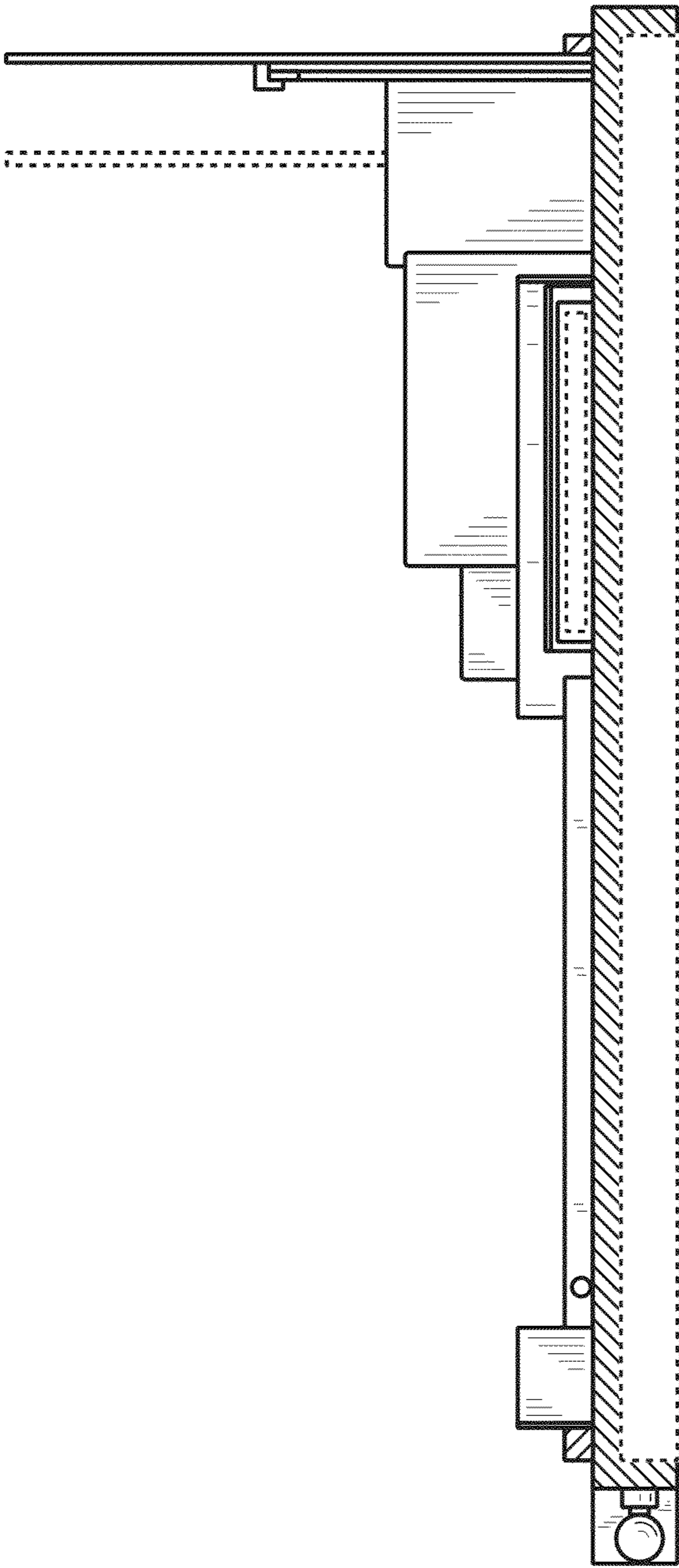


FIG. 9