



US00D694340S

(12) **United States Design Patent**
Laporte

(10) **Patent No.:** **US D694,340 S**

(45) **Date of Patent:** **** Nov. 26, 2013**

(54) **TARGET**

(75) Inventor: **Jean-Michel Laporte**, Biot (FR)

(73) Assignee: **Laporte Holding**, Biot (FR)

(**) Term: **14 Years**

(21) Appl. No.: **29/428,493**

(22) Filed: **Jul. 31, 2012**

(30) **Foreign Application Priority Data**

Jan. 31, 2012 (EM) 001983859-0001

(51) **LOC (9) Cl.** **21-01**

(52) **U.S. Cl.**
USPC **D21/302**

(58) **Field of Classification Search**

USPC D21/330-303, 385, 386, 390; 273/348,
273/398-402, 407, 127 R, 126 R, 303;
473/569, 587, 588, 593, 594; D32/40;
D28/63; D24/101, 102; D9/428

See application file for complete search history.

(56) **References Cited**

U.S. PATENT DOCUMENTS

D26,600 S * 2/1897 Hannold et al. D22/113
3,312,472 A * 4/1967 Kerr 473/589

5,687,600 A * 11/1997 Emigh et al. 72/69
D392,333 S * 3/1998 Griggle D21/303
6,117,281 A * 9/2000 Novbakhtian 204/192.16
D434,453 S * 11/2000 Kenyon D21/308
6,217,468 B1 * 4/2001 Goodwin 473/588
D494,235 S * 8/2004 Edwards D21/710
D528,167 S * 9/2006 Tremain D21/386
7,398,928 B2 * 7/2008 Gaspard et al. 235/462.03
7,988,154 B1 * 8/2011 Regan, Jr. 273/348
D651,657 S * 1/2012 Laporte et al. D21/303

* cited by examiner

Primary Examiner — Prabhakar Deshmukh

(74) *Attorney, Agent, or Firm* — Young & Thompson

(57) **CLAIM**

The ornamental design for a target, as shown and described.

DESCRIPTION

FIG. 1 is a top plan view of a target showing the new design;
FIG. 2 is a bottom plan view thereof;
FIG. 3 is a bottom perspective view thereof;
FIG. 4 is a second bottom perspective view thereof;
FIG. 5 is a side elevation view thereof;
FIG. 6 is a third bottom perspective view thereof;
FIG. 7 is a top perspective view thereof;
FIG. 8 is a second top perspective view thereof; and,
FIG. 9 is a third top perspective view thereof.

1 Claim, 9 Drawing Sheets

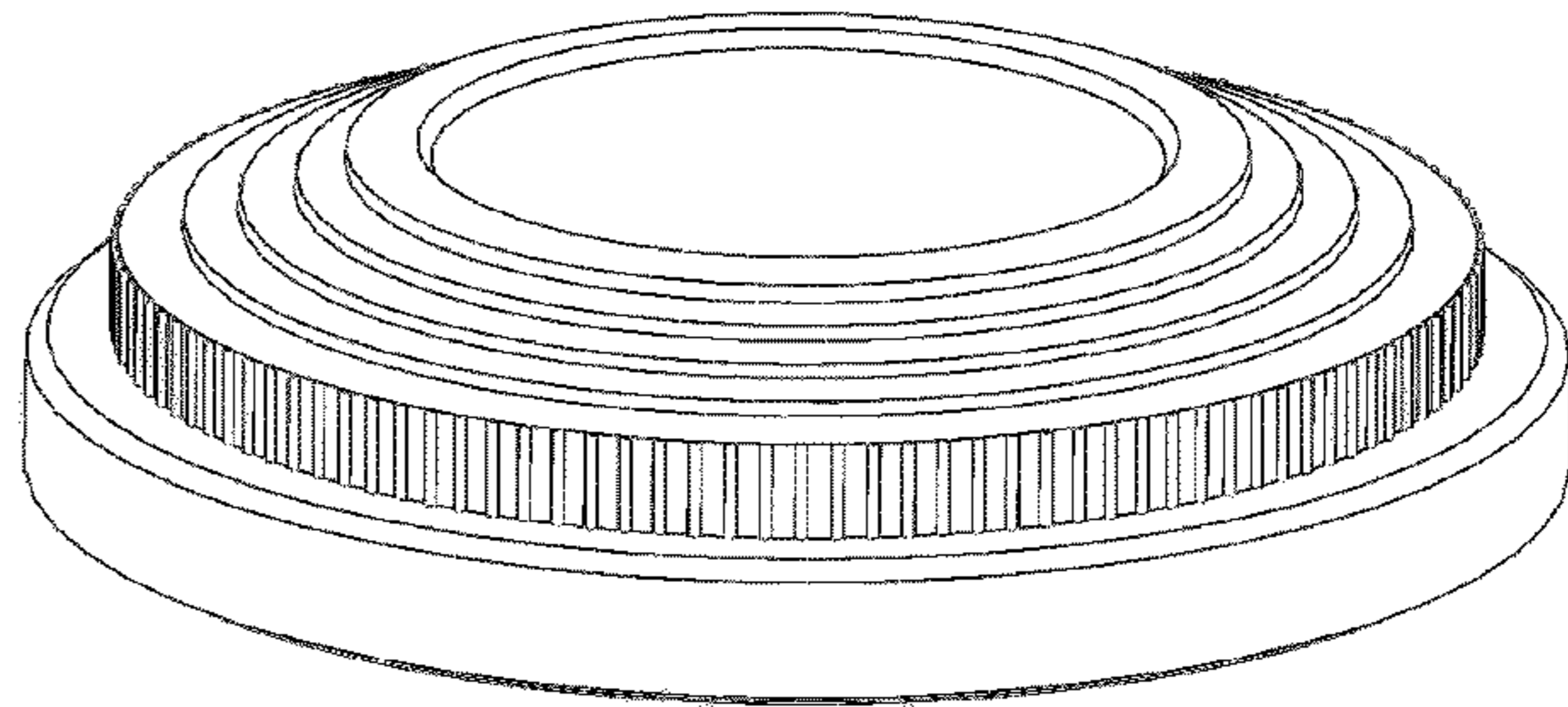
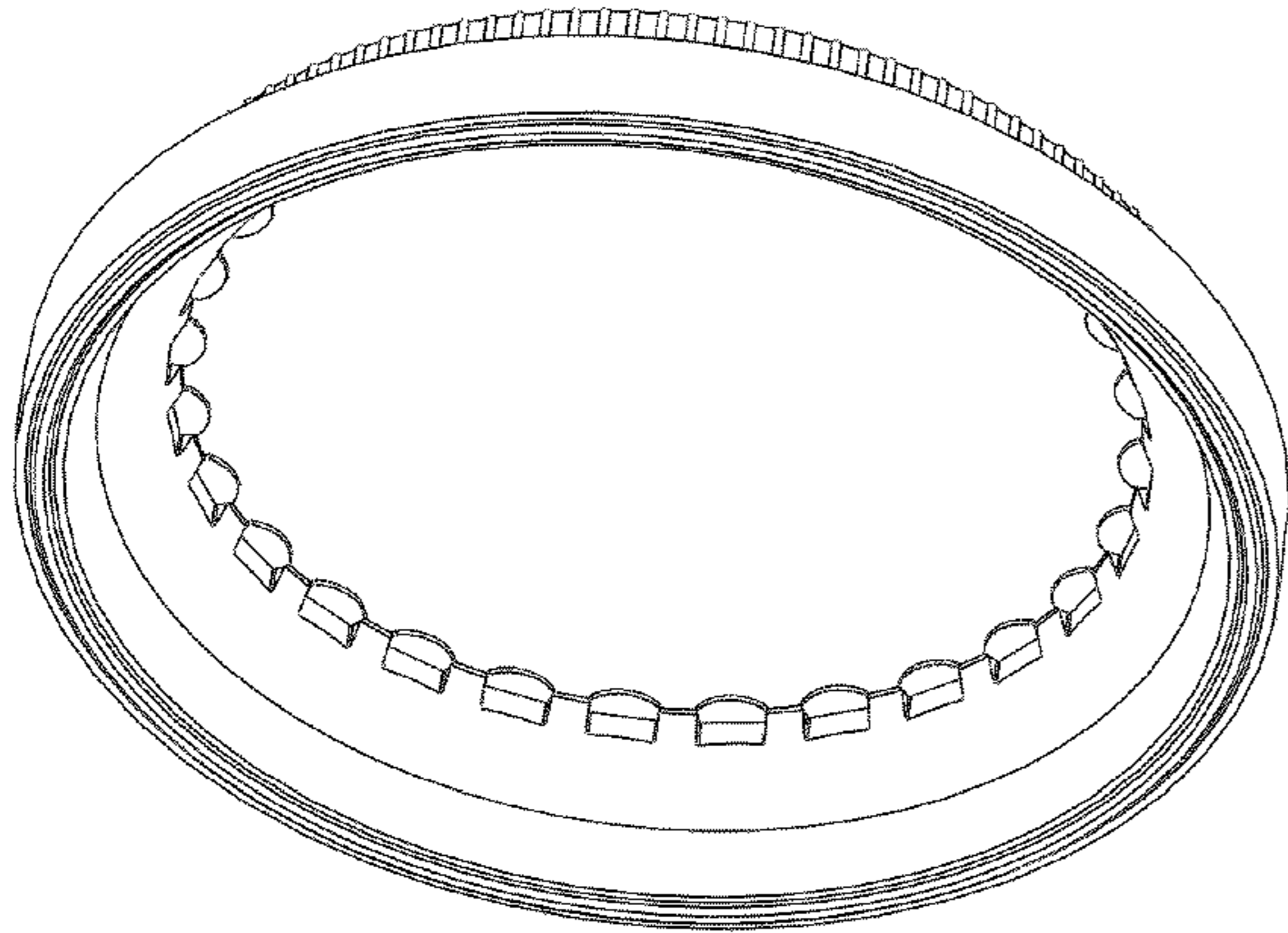


Fig. 1

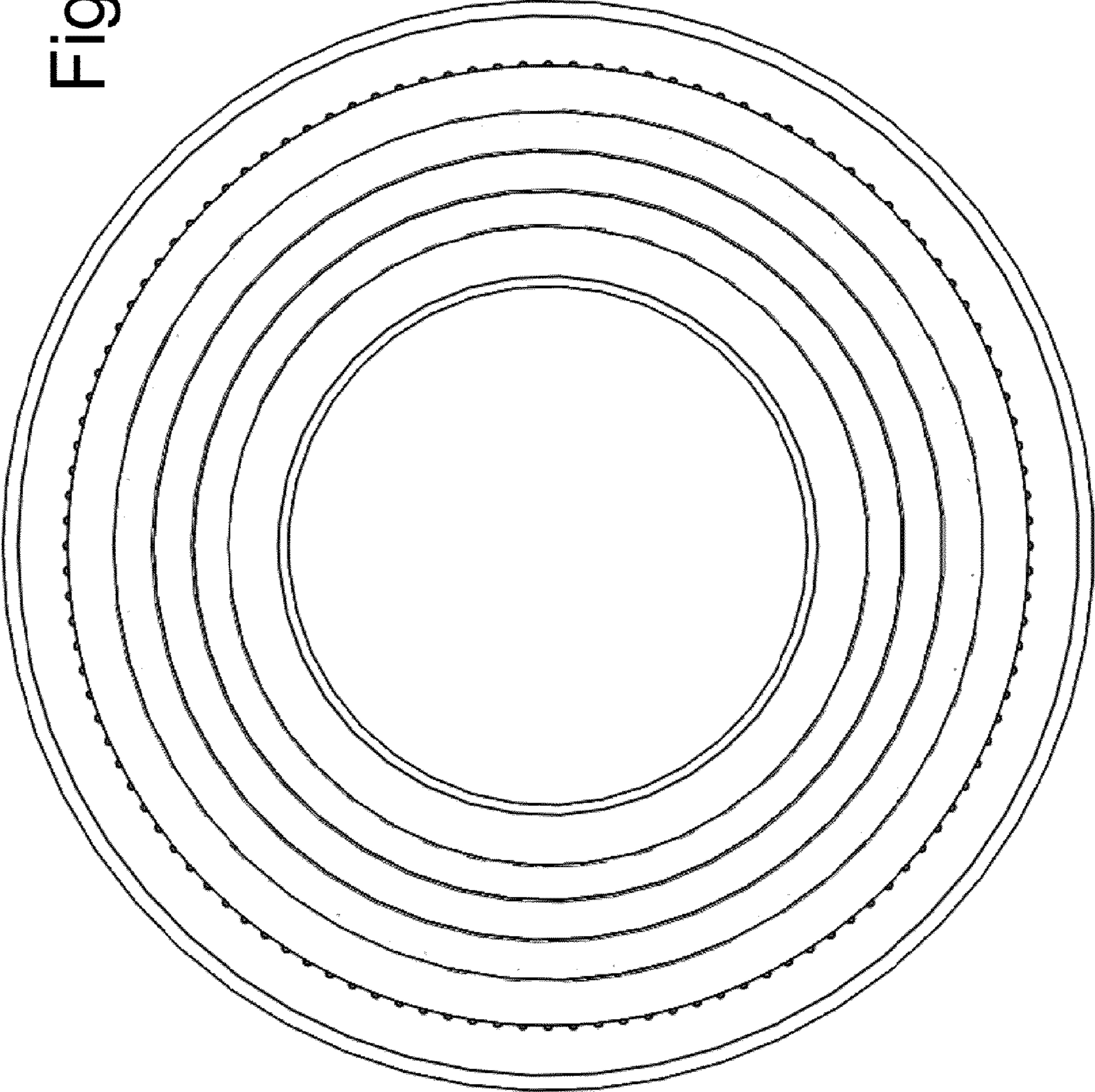


Fig. 2

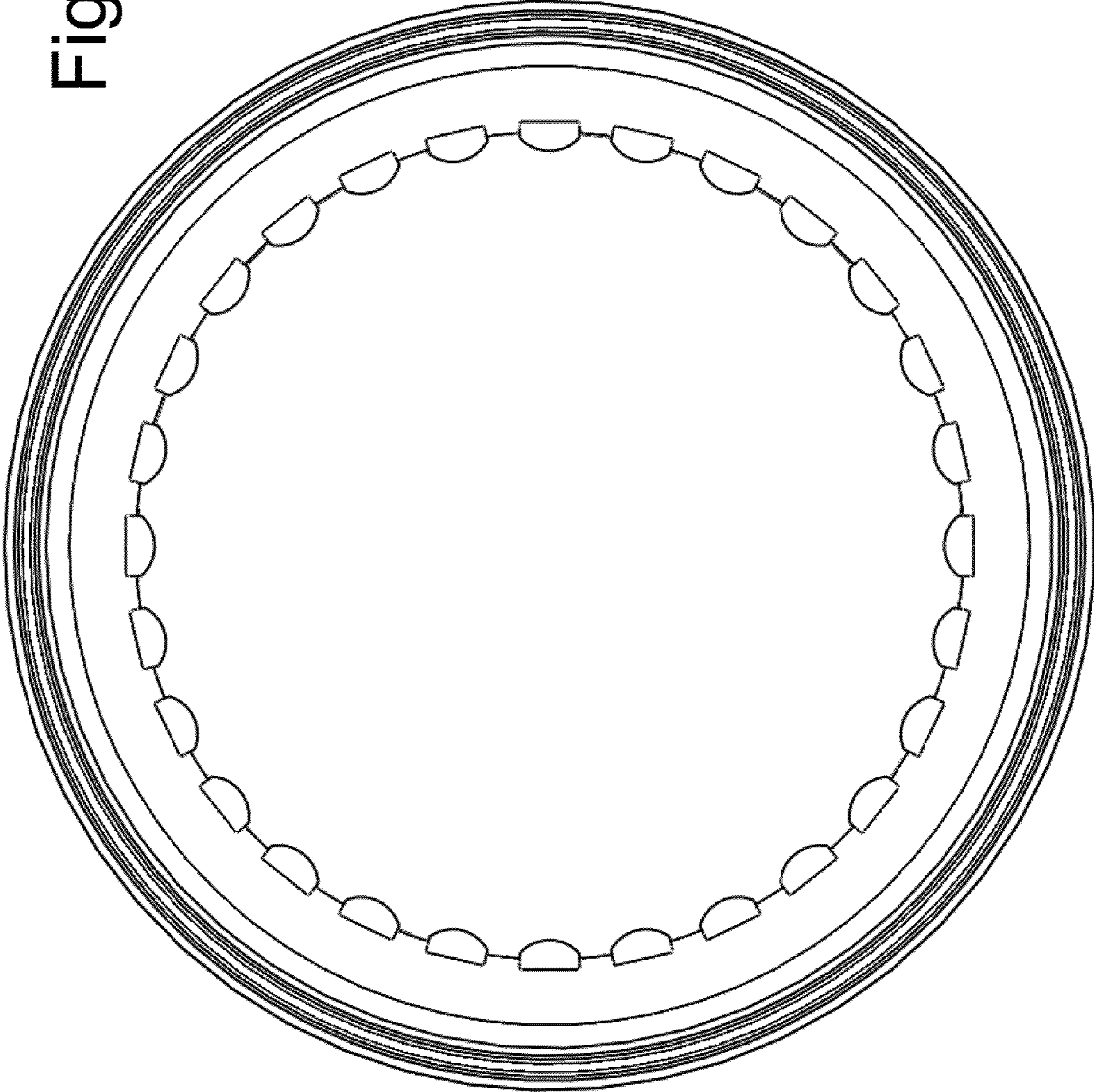


Fig. 3

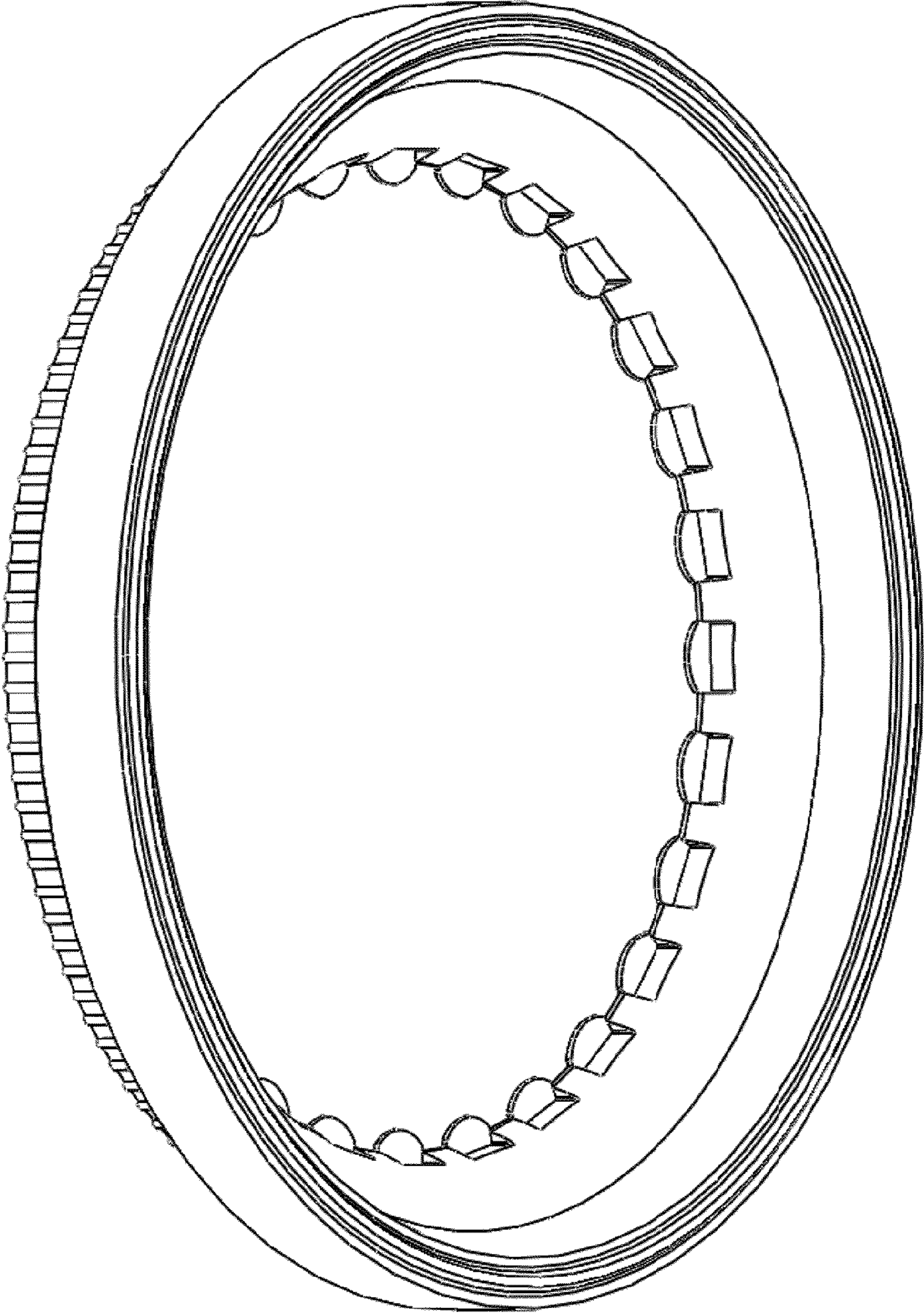


Fig. 4

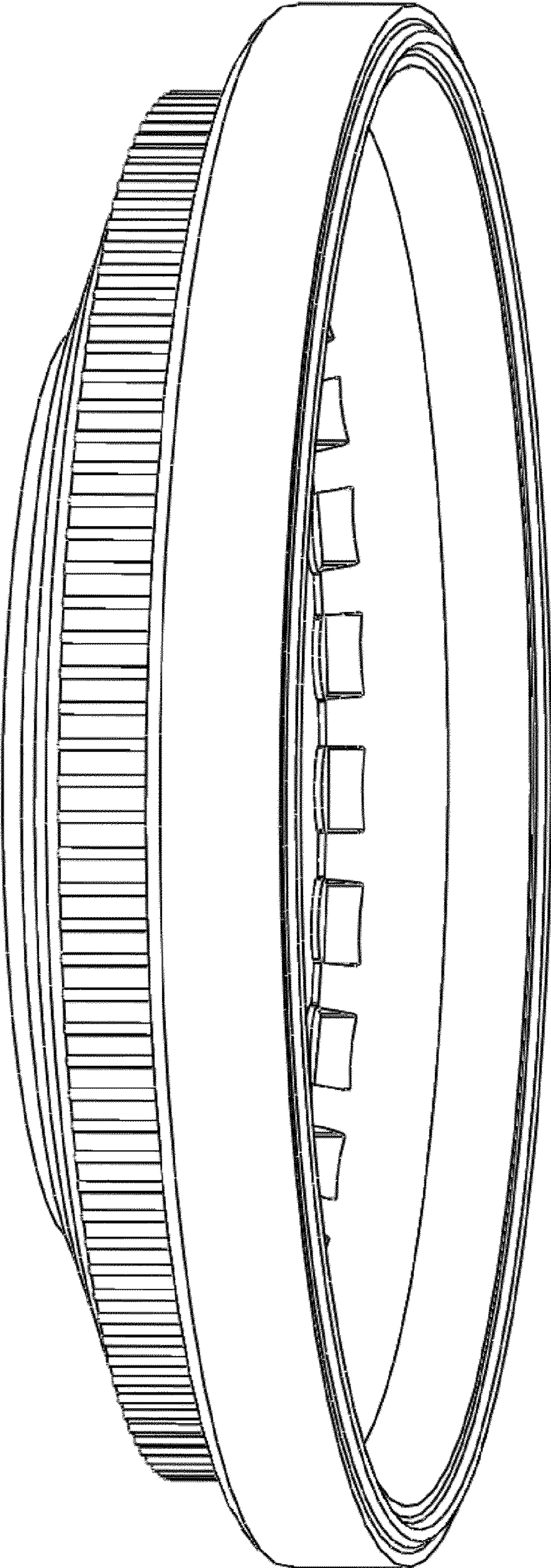


Fig. 5

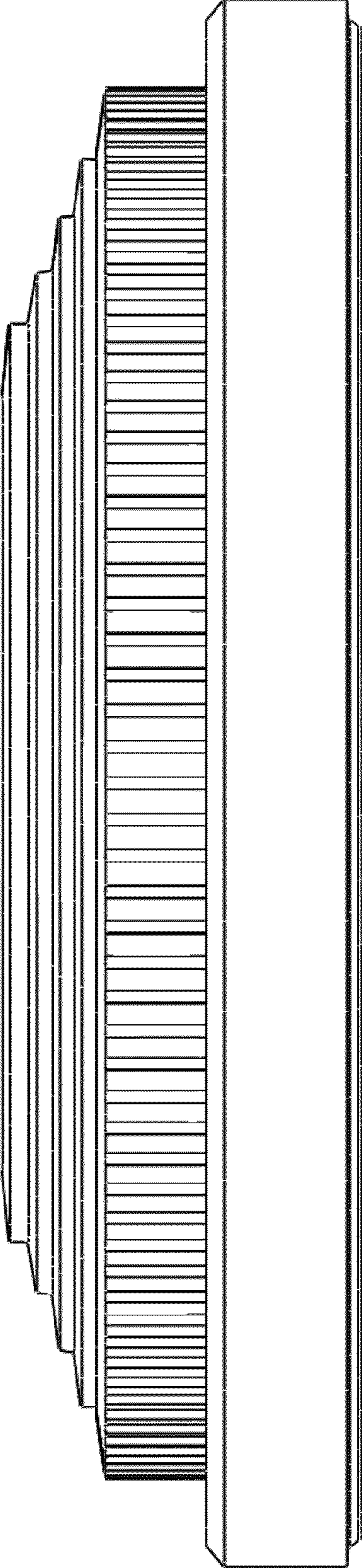


Fig. 6

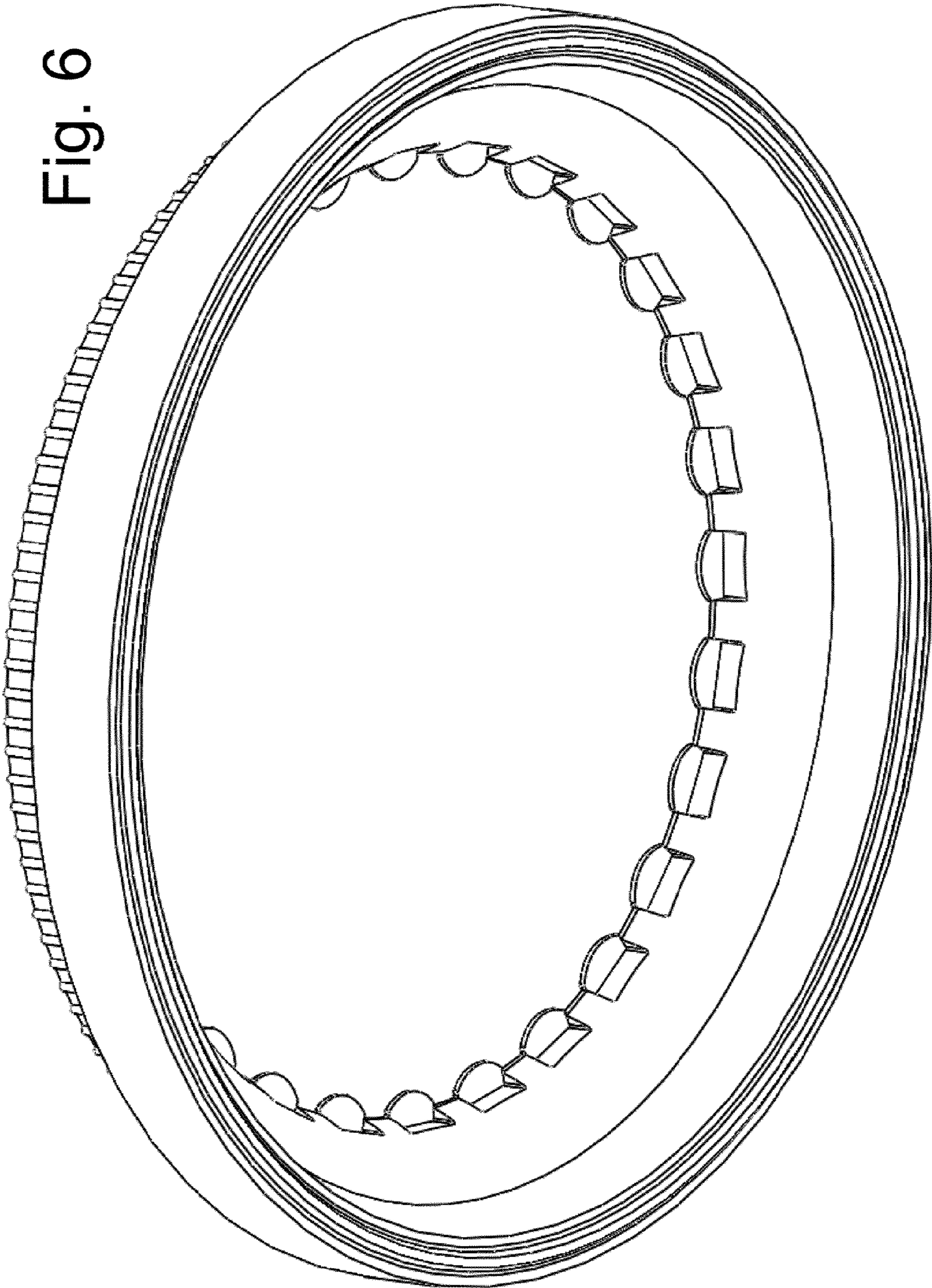


Fig. 7

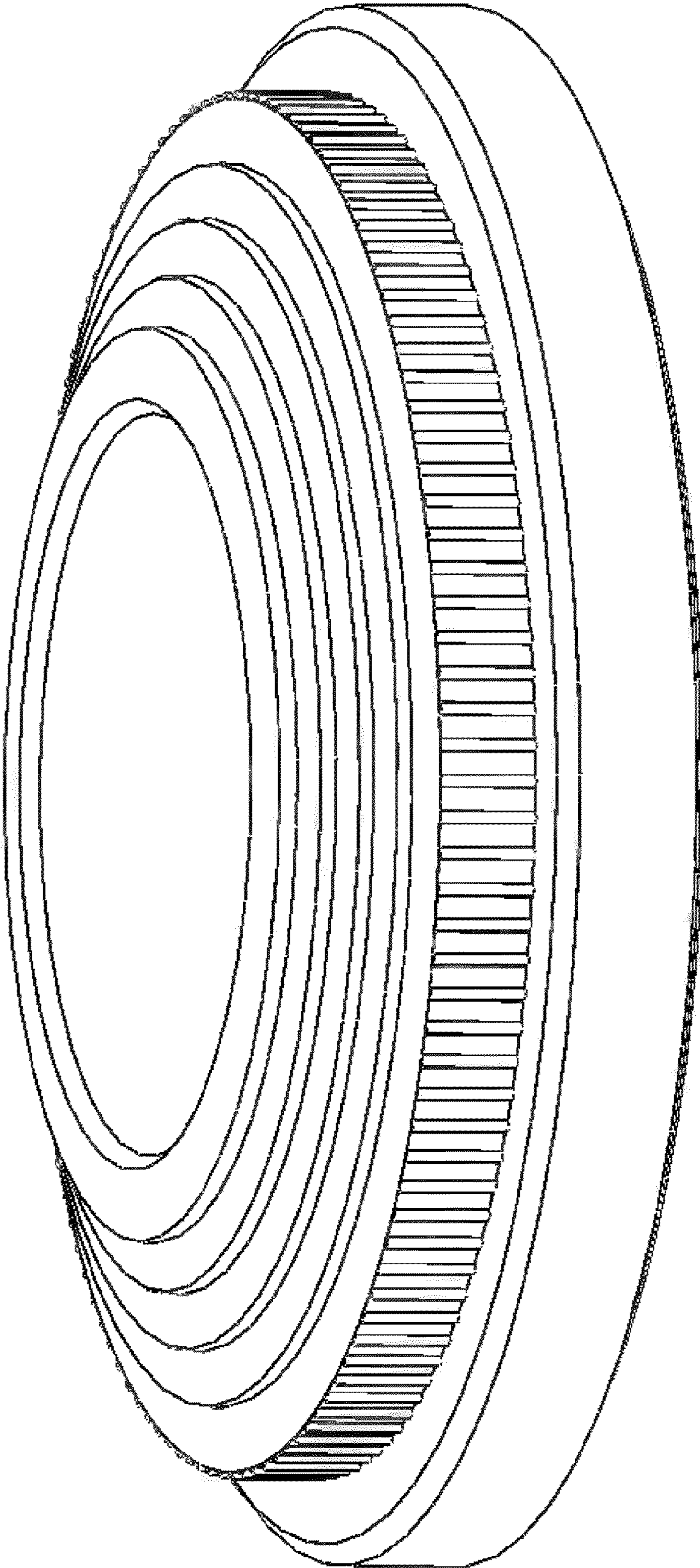


Fig. 8

