

US00D694339S

(12) **United States Design Patent**
Mudry

(10) **Patent No.:** **US D694,339 S**

(45) **Date of Patent:** **** Nov. 26, 2013**

- (54) **DISPLAY**
- (75) Inventor: **Jessica Mudry**, New York, NY (US)
- (73) Assignee: **Van Wagner Dorna, U.S.A., LLC**, New York, NY (US)
- (**) Term: **14 Years**
- (21) Appl. No.: **29/427,980**
- (22) Filed: **Jul. 24, 2012**
- (51) **LOC (9) Cl.** **20-03**
- (52) **U.S. Cl.**
USPC **D20/42**
- (58) **Field of Classification Search**
USPC D20/10, 12, 17-19, 39-43, 99;
40/446-448, 452, 453, 489, 493,
40/538-542, 545, 549, 559, 564, 568, 572,
40/584, 596, 600, 605, 606.03, 606.18,
40/617; D10/109.1, 109.2, 113.4; 362/812
See application file for complete search history.

4,884,353	A *	12/1989	Taylor	40/611.01
D307,037	S	4/1990	Downing		
D311,551	S *	10/1990	Hill	D20/17
5,048,210	A *	9/1991	Taylor et al.	40/575
D351,862	S	10/1994	Jarrett		
D369,624	S	5/1996	Richardson		
5,665,938	A *	9/1997	Boshear et al.	174/50
5,933,994	A	8/1999	Misares		
6,449,888	B1	9/2002	Gibbs		
6,675,514	B1 *	1/2004	Salimes et al.	40/447
D648,803	S	11/2011	DeBlonk et al.		
8,122,628	B2 *	2/2012	Johnson, Jr.	40/591
2010/0043264	A1 *	2/2010	Johnson, Jr.	40/559

OTHER PUBLICATIONS

- Photograph of Public Display, Nov. 2007.
- Photograph of Public Display, Nov. 2008.
- Photograph of Public Display, 2009.

* cited by examiner

Primary Examiner — Mary Ann Calabrese
(74) *Attorney, Agent, or Firm* — Vinson & Elkins LLP

(57) **CLAIM**
I claim the ornamental design for a display, as shown.

DESCRIPTION

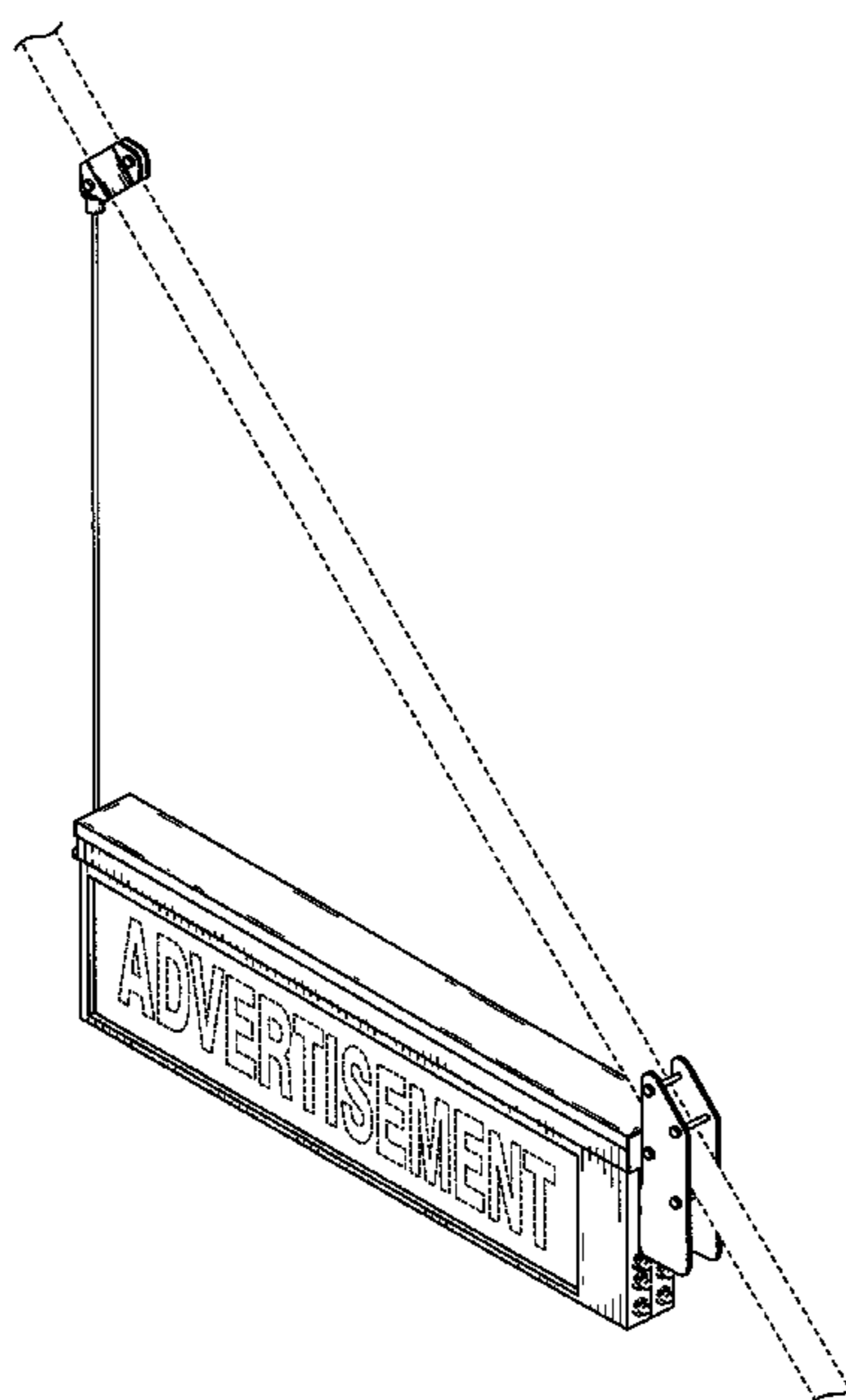
FIG. 1 is a perspective view of my display design.
FIG. 2 is a left side view of my display design.
FIG. 3 is a right side view of my display design.
FIG. 4 is a rear view of my display design.
FIG. 5 is a front view of my display design.
FIG. 6 top view of my display design.
FIG. 7 is a bottom view of my display design; and,
FIG. 8 is a perspective view of my display design.
The broken lines in the figures illustrate environment and form no part of the claimed design.

1 Claim, 6 Drawing Sheets

(56) **References Cited**

U.S. PATENT DOCUMENTS

905,468	A *	12/1908	Shearer	40/572
D40,232	S	8/1909	Staby		
962,724	A *	6/1910	Smith	40/549
1,458,840	A *	6/1923	Montgomery et al.	40/406
1,612,645	A *	12/1926	Nooe	40/572
D74,852	S	4/1928	Browne et al.		
D103,045	S *	2/1937	Ellis	D20/42
D117,036	S *	10/1939	Elliot	D20/17
2,734,295	A *	2/1956	Fewster et al.	40/472
3,453,759	A *	7/1969	Weaver	40/493
D217,653	S	5/1970	Lofgren		
4,240,220	A *	12/1980	Smith	40/564
D281,790	S	12/1985	Cobbe		
4,848,016	A	7/1989	Downing		



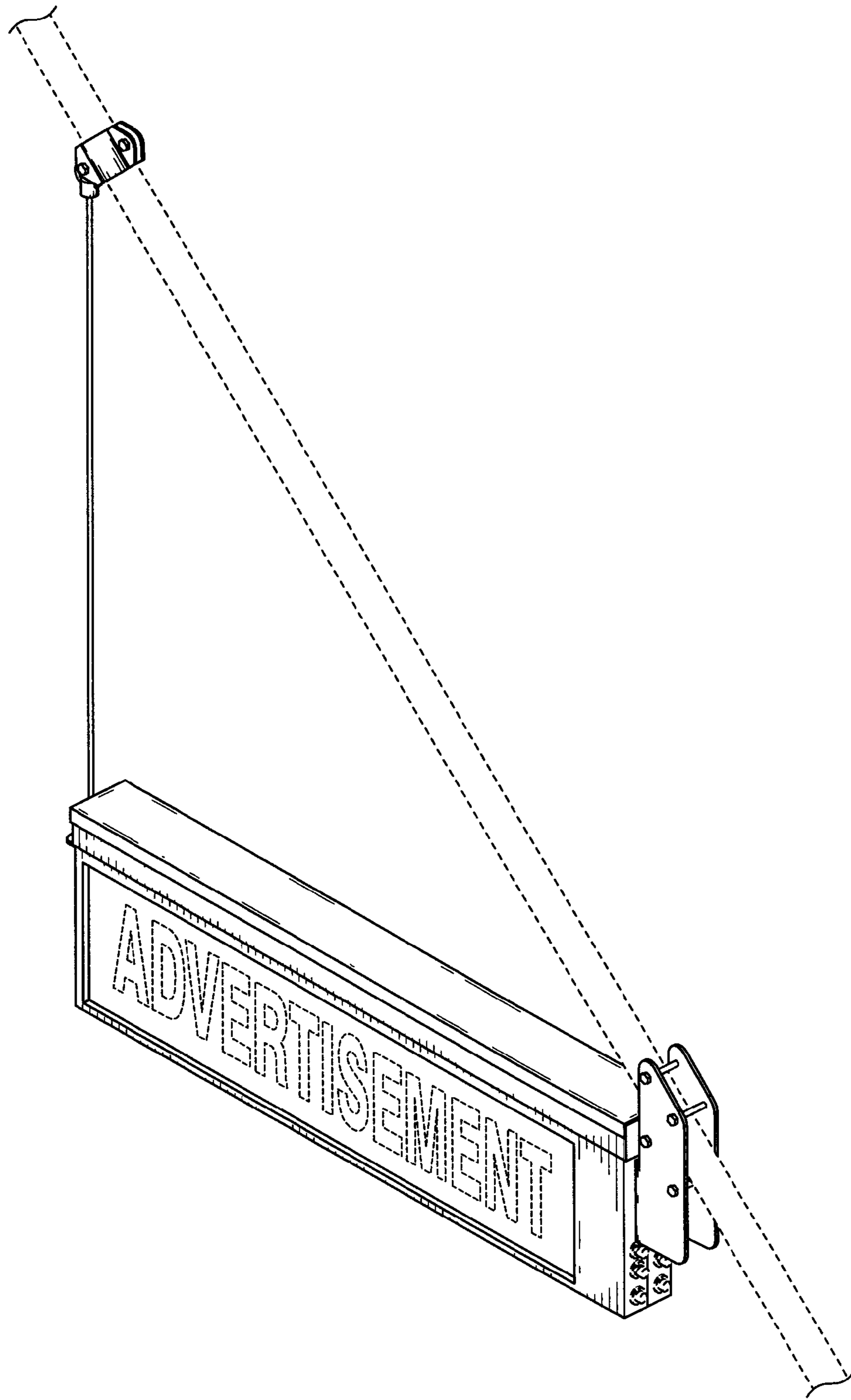


FIG. 1

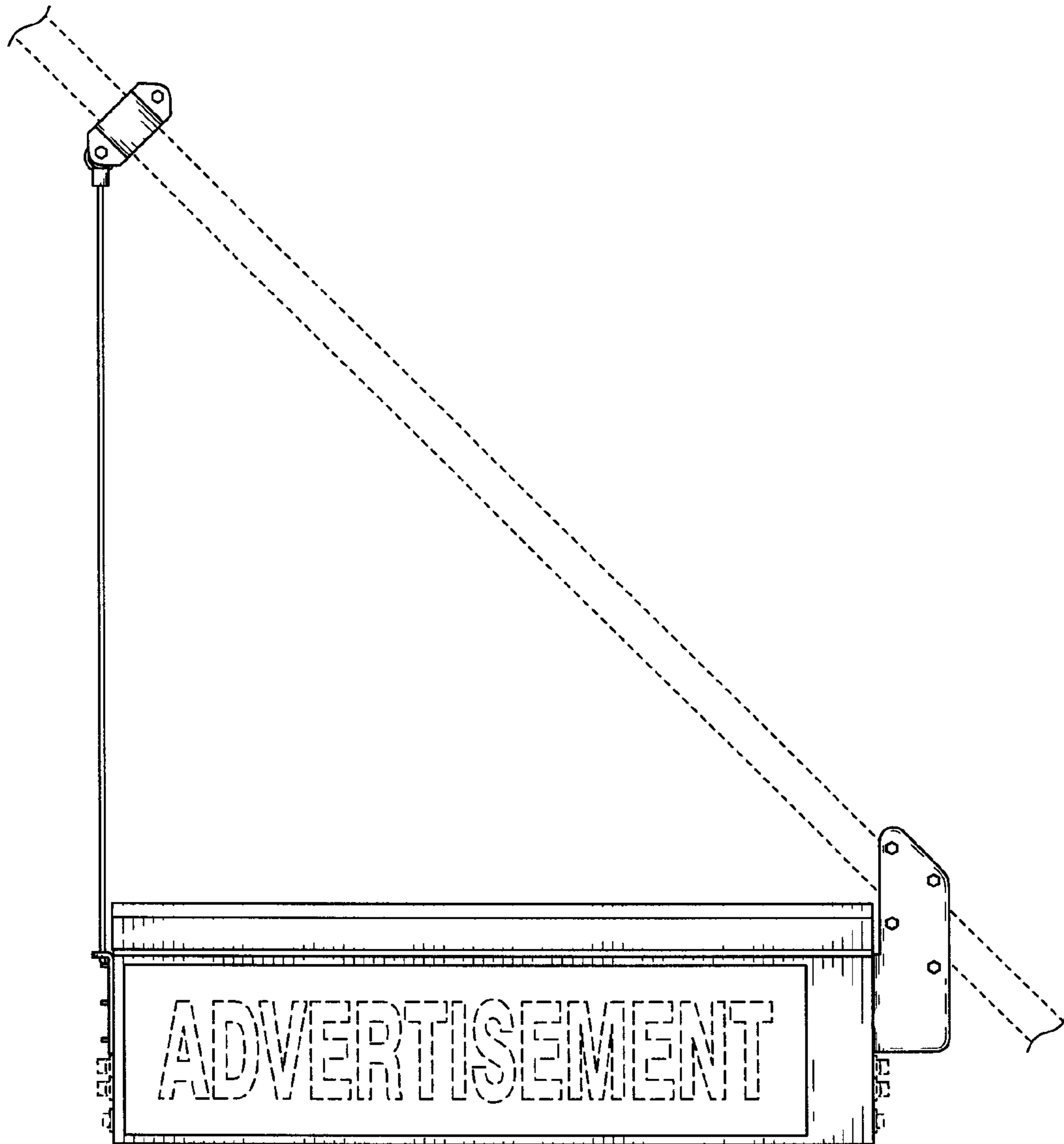


FIG. 2

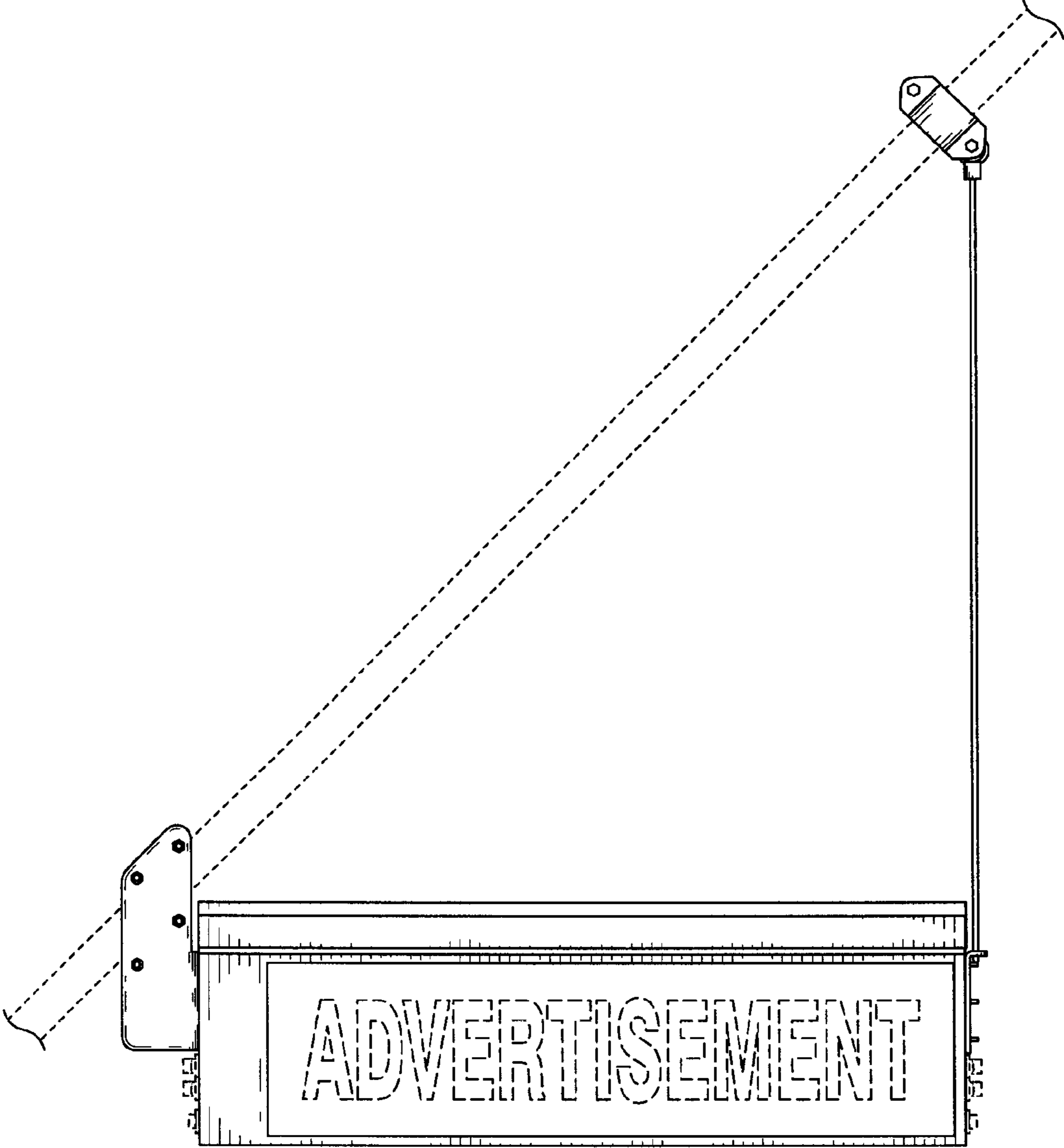


FIG. 3

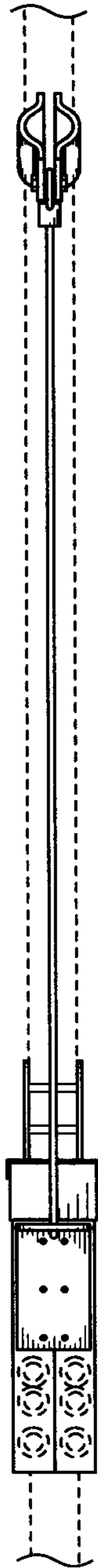


FIG. 4

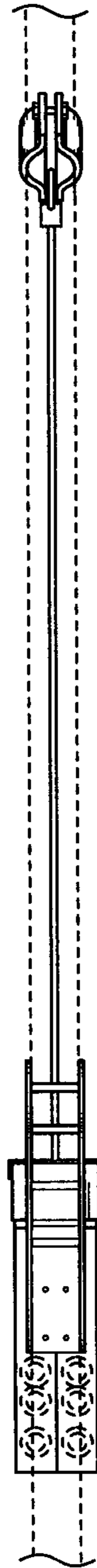


FIG. 5

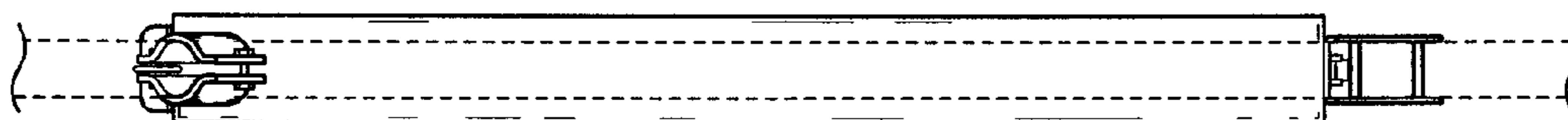


FIG. 6

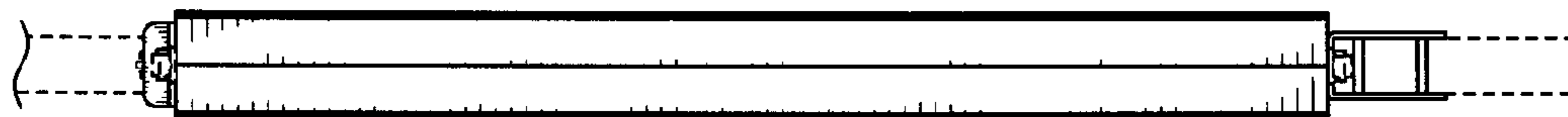


FIG. 7

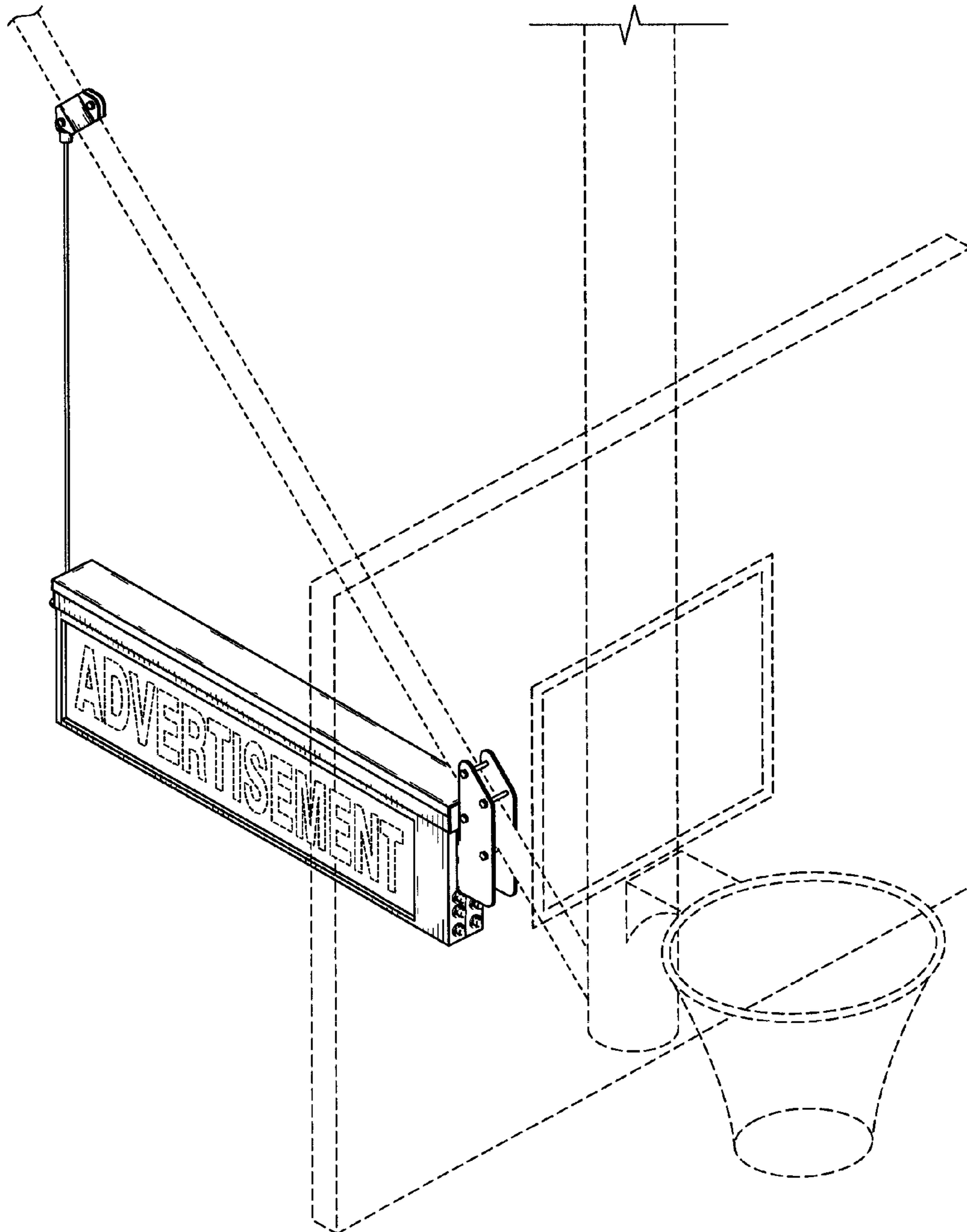


FIG. 8