

US00D694324S

(12) **United States Design Patent**  
**Cambianica**

(10) **Patent No.:** **US D694,324 S**

(45) **Date of Patent:** **\*\* Nov. 26, 2013**

(54) **WRITING INSTRUMENT**

(75) Inventor: **Charles Cambianica**, Munich (DE)

(73) Assignee: **Premec, S.A.** (CH)

(\*\*) Term: **14 Years**

(21) Appl. No.: **29/427,805**

(22) Filed: **Jul. 23, 2012**

(30) **Foreign Application Priority Data**

Mar. 29, 2012 (EM) ..... 002016766

(51) **LOC (9) Cl.** ..... **19-06**

(52) **U.S. Cl.**  
USPC ..... **D19/45**

(58) **Field of Classification Search**  
USPC ..... D14/411; D19/35, 36, 41-51, 53-58;  
24/11 F, 11 R, 11 P; 402/52, 99-109,  
402/192, 195, 196

See application file for complete search history.

(56) **References Cited**

**U.S. PATENT DOCUMENTS**

D190,262 S \* 5/1961 Schier ..... D19/49  
3,225,746 A \* 12/1965 Hechtle ..... 401/112  
4,352,580 A \* 10/1982 Ando ..... 401/29  
D345,578 S \* 3/1994 Zier ..... D19/48  
6,542,437 B1 \* 4/2003 Chen ..... 368/10  
D523,081 S \* 6/2006 Pellissa Beneyto ..... D19/51

D548,787 S \* 8/2007 Slemp ..... D19/48  
D569,909 S \* 5/2008 Shibata ..... D19/51  
D584,354 S \* 1/2009 Koch ..... D19/48  
D589,559 S \* 3/2009 Slemp ..... D19/51  
D611,538 S \* 3/2010 Zhou ..... D19/51  
D616,935 S \* 6/2010 Zhang ..... D19/48  
D644,691 S \* 9/2011 Pagani ..... D19/51  
D648,387 S \* 11/2011 Liang ..... D19/50  
D664,196 S \* 7/2012 Buchler ..... D19/48  
D670,289 S \* 11/2012 Bae et al. .... D14/411  
D672,816 S \* 12/2012 Li ..... D19/51

\* cited by examiner

*Primary Examiner* — Elizabeth Albert

(74) *Attorney, Agent, or Firm* — David I. Roche; Baker & McKenzie LLP

(57) **CLAIM**

The ornamental design for a writing instrument, as shown and described.

**DESCRIPTION**

FIG. 1 is a perspective view of the writing instrument showing my new design;

FIG. 2 is a front elevational view thereof;

FIG. 3 is a rear elevational view thereof;

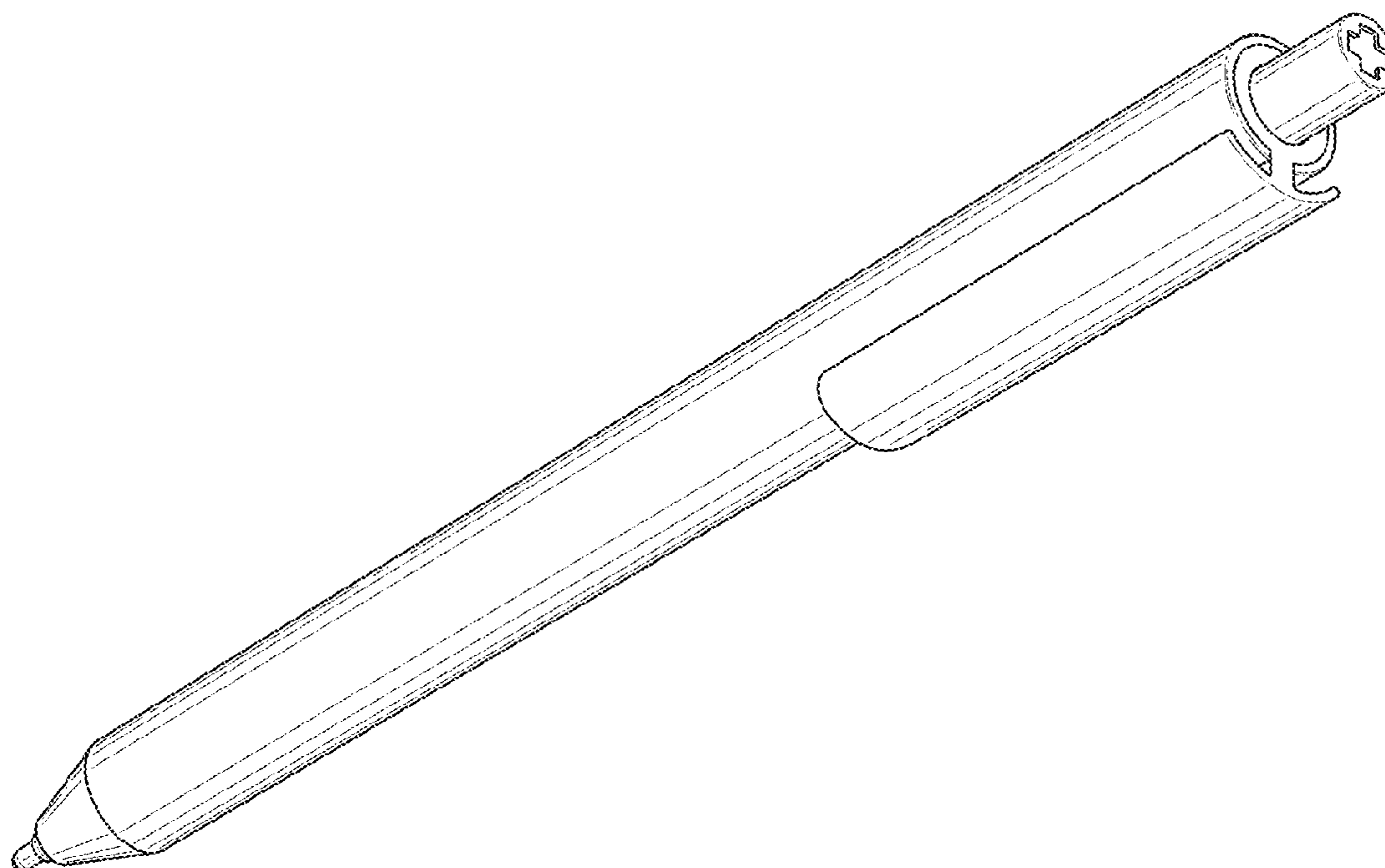
FIG. 4 is a right side elevational view thereof;

FIG. 5 is a left side elevational view thereof;

FIG. 6 is a top plan view thereof; and,

FIG. 7 is a bottom plan view thereof.

**1 Claim, 6 Drawing Sheets**



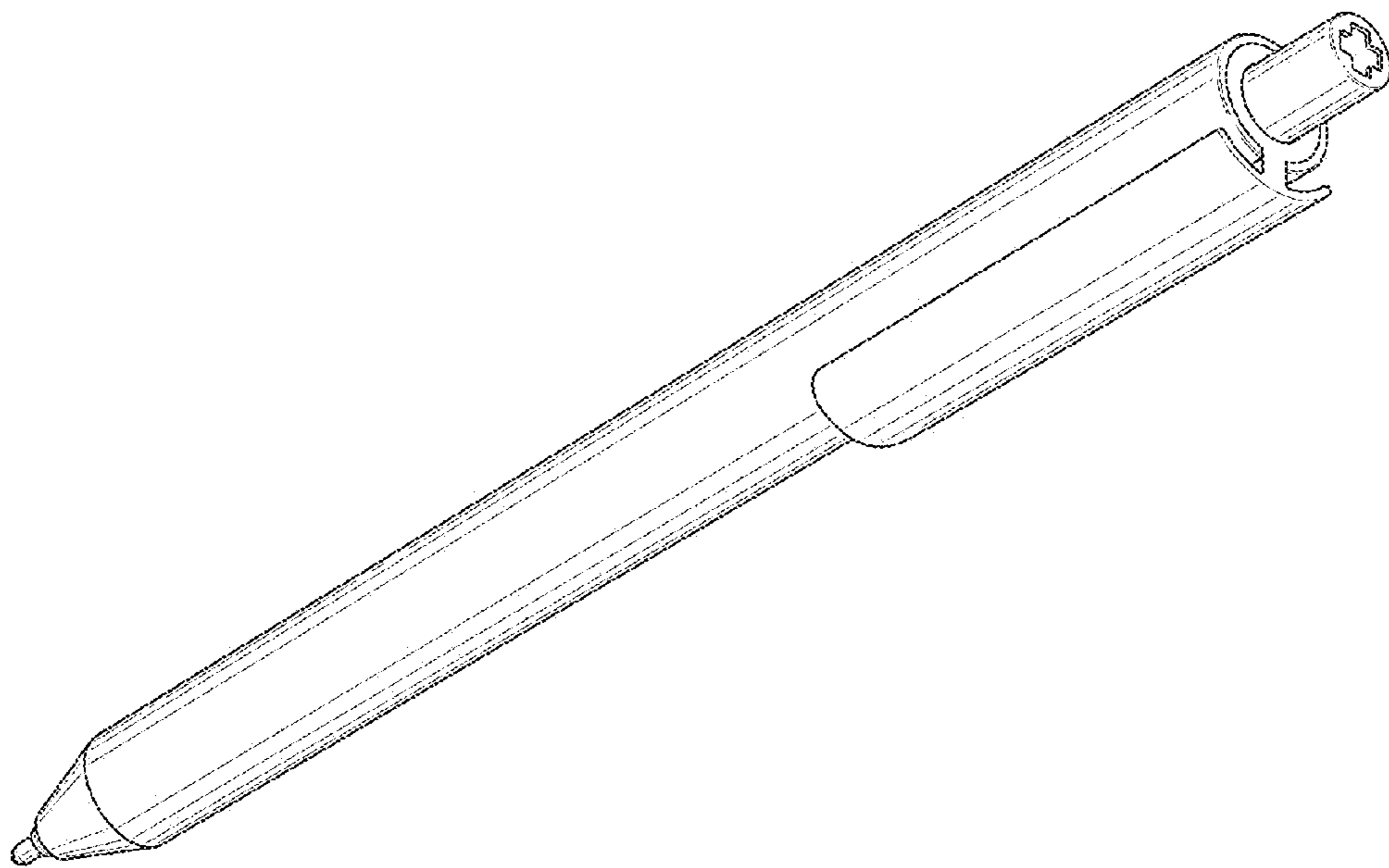


FIG. 1

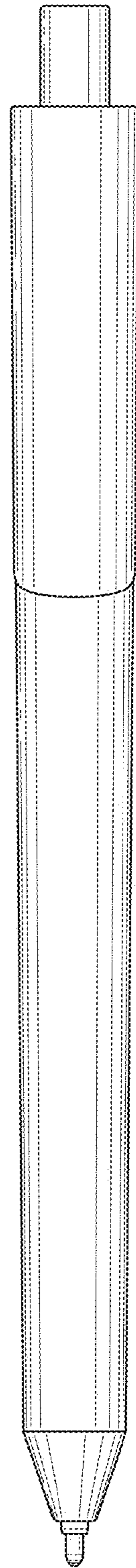


FIG. 2

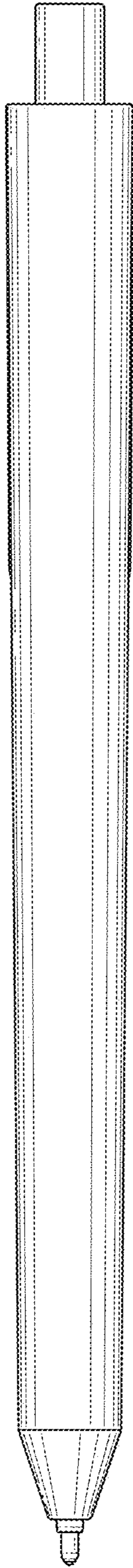


FIG. 3

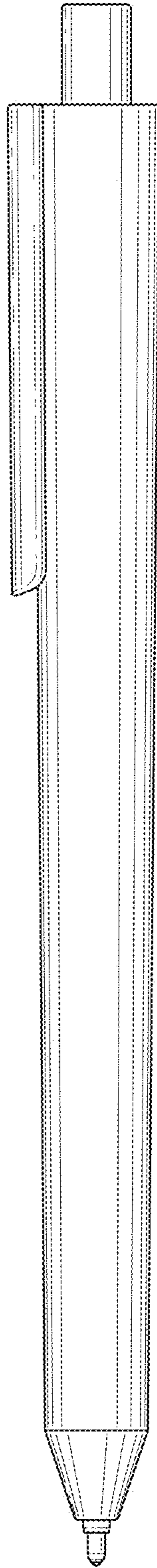


FIG. 4

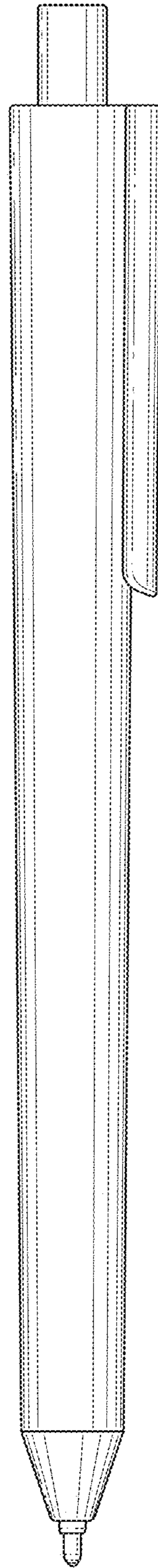


FIG. 5

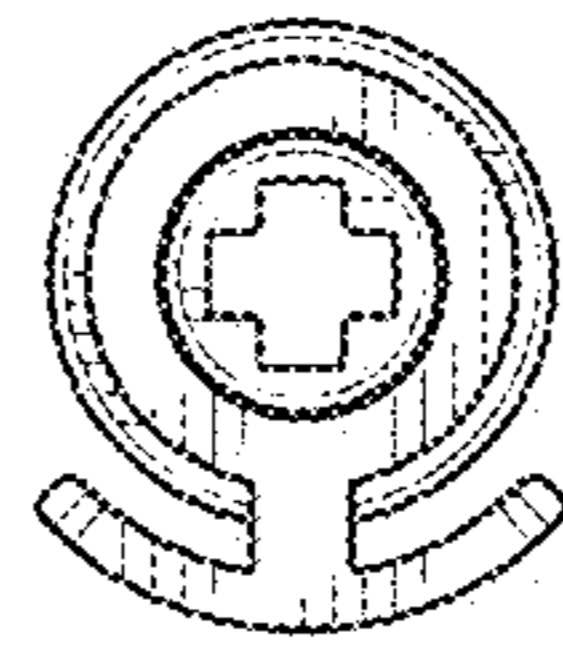


FIG. 6

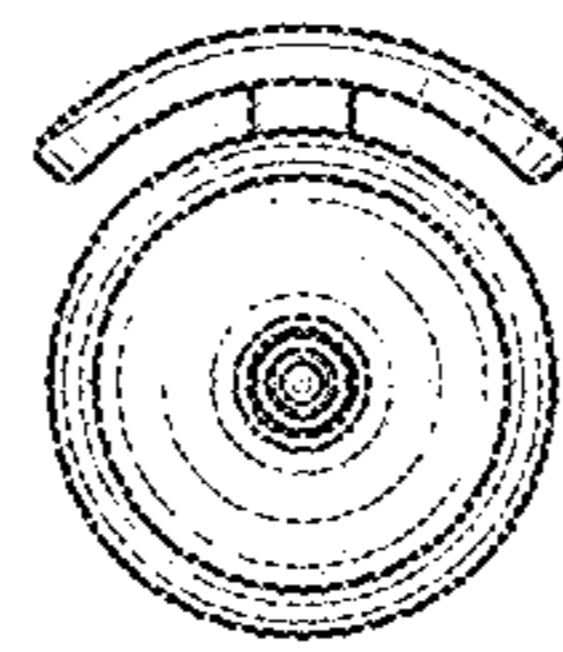


FIG. 7