



US00D694323S

(12) **United States Design Patent**
Lovern et al.

(10) **Patent No.:** **US D694,323 S**

(45) **Date of Patent:** **** *Nov. 26, 2013**

(54) **SANTA CLAUS SUIT SCRAPBOOK**

(76) Inventors: **Heather T. Lovern**, Lilburn, GA (US);
Charles B. Lovern, Lilburn, GA (US)

(*) Notice: This patent is subject to a terminal disclaimer.

(**) Term: **14 Years**

(21) Appl. No.: **29/423,627**

(22) Filed: **Jun. 3, 2012**

(51) **LOC (9) Cl.** **19-04**

(52) **U.S. Cl.**
USPC **D19/28**

(58) **Field of Classification Search**
USPC D19/26–28; D2/741, 990; D11/121,
D11/129; D21/638; 446/330; 40/415, 539,
40/610; 383/104; 281/15.1, 19.1, 21.1, 22,
281/29, 38, 51; 402/3–4, 73–75
See application file for complete search history.

(56) **References Cited**

U.S. PATENT DOCUMENTS

1,950,816	A *	3/1934	Richardson	383/104
D155,460	S *	10/1949	Sundheim	D26/4
D155,477	S *	10/1949	Brown	D21/638
2,648,151	A *	8/1953	Kindred	40/539
3,159,935	A *	12/1964	Rubens	40/415
D363,043	S *	10/1995	Merklein et al.	D11/121
D372,206	S *	7/1996	Cohen	D11/129
D392,209	S *	3/1998	Hergert	D11/129
D408,755	S *	4/1999	Hoover	D11/129
6,000,820	A *	12/1999	Murray	362/441
D437,802	S *	2/2001	Lin	D11/129
6,500,043	B1 *	12/2002	Fong	446/330
D530,367	S *	10/2006	Payne et al.	D19/28
D629,460	S *	12/2010	Lovern et al.	D19/26
D631,389	S *	1/2011	Garrison	D11/129
D656,190	S *	3/2012	Gordon	D19/28

D656,191	S *	3/2012	Gordon	D19/28
2001/0013188	A1 *	8/2001	Hall	40/610
2007/0272554	A1 *	11/2007	Fair	204/490

* cited by examiner

Primary Examiner — T. Chase Nelson

Assistant Examiner — Kathleen M Sims

(74) *Attorney, Agent, or Firm* — Lynda Kouroupis

(57) **CLAIM**

The ornamental design for a Santa Claus suit scrapbook, as shown and described.

DESCRIPTION

FIG. 1 is a perspective view of our ornamental design for a Santa Claus suit scrapbook.

FIG. 2 is a top plan view of the Santa Claus suit scrapbook of FIG. 1.

FIG. 3 is a bottom plan view of the Santa Claus suit scrapbook of FIG. 1.

FIG. 4 is a left side elevation view of the Santa Claus suit scrapbook of FIG. 1.

FIG. 5 is a right side elevation view of the Santa Claus suit scrapbook of FIG. 1.

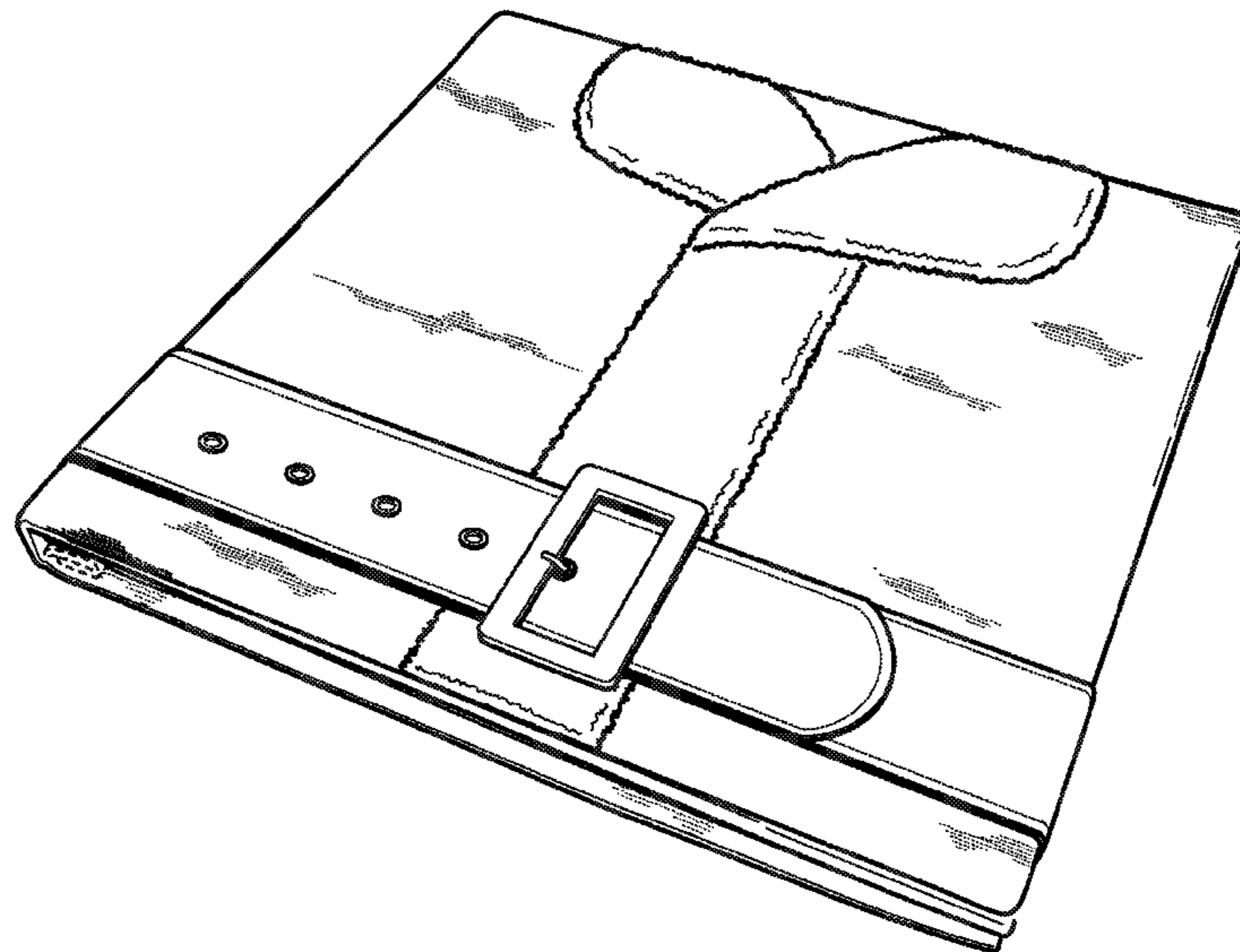
FIG. 6 is a rear elevation view of the Santa Claus suit scrapbook of FIG. 1.

FIG. 7 is a front elevation view of the Santa Claus suit scrapbook of FIG. 1; and,

FIG. 8 shows a perspective view of the Santa Claus suit scrapbook of FIG. 1 in an open condition.

The broken line showing of external topstitching in FIGS. 1-3 is included for the purpose of showing conventional stitching of the Santa Claus suit scrapbook and forms no part of the claimed design. The broken line showing of internal elements shown in the figures is for illustrative purposes only and forms no part of the claimed design.

1 Claim, 6 Drawing Sheets



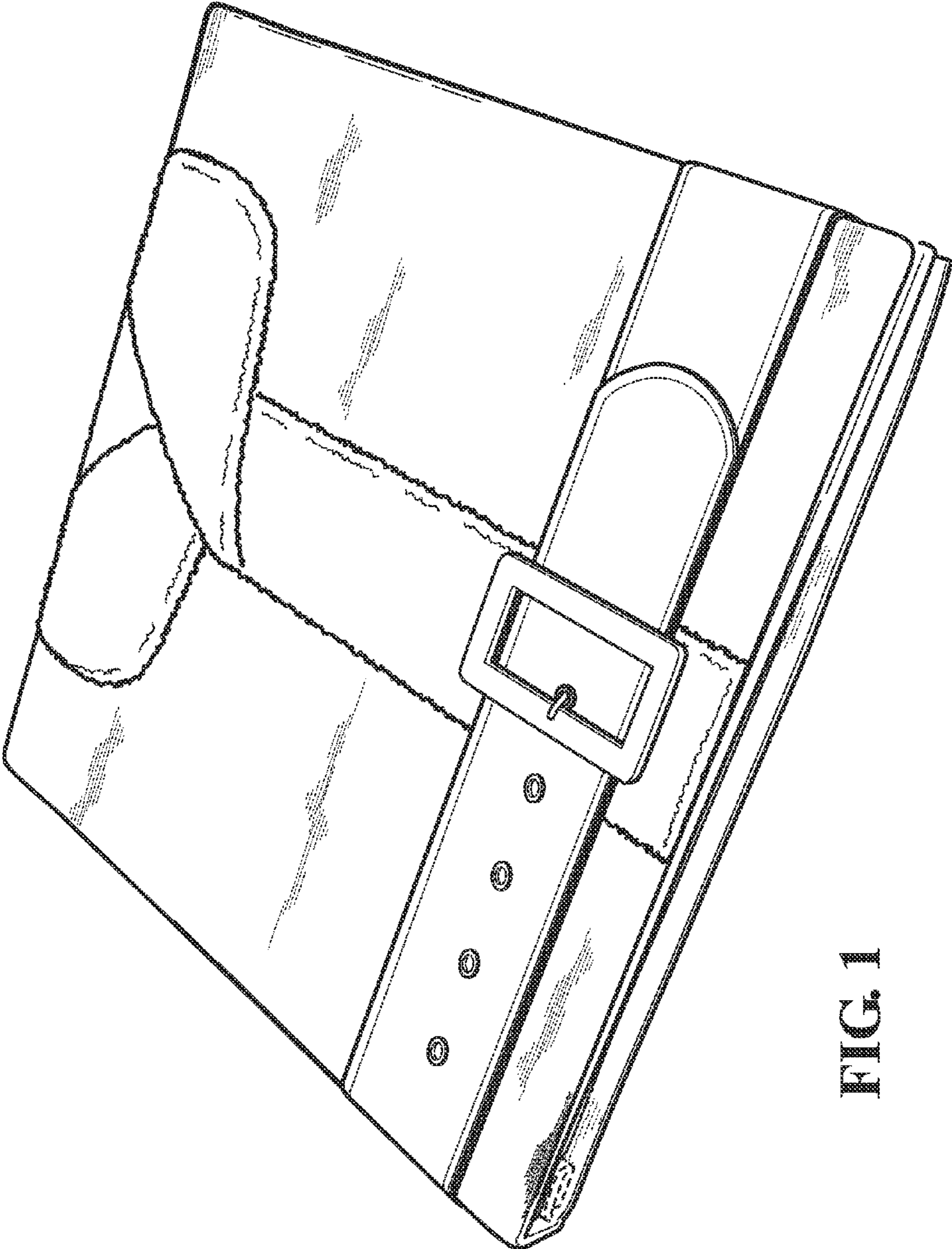


FIG. 1

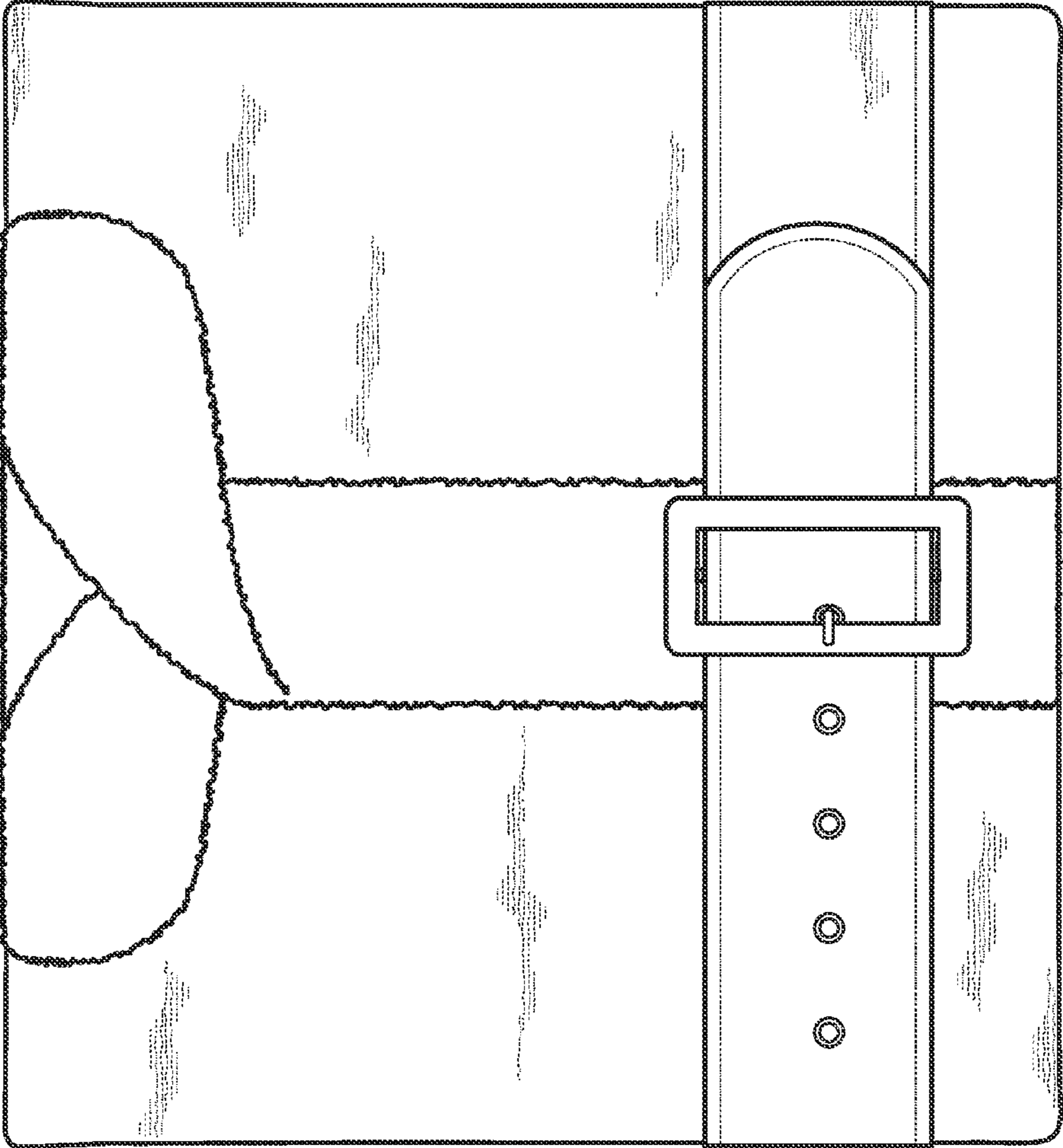


FIG. 2

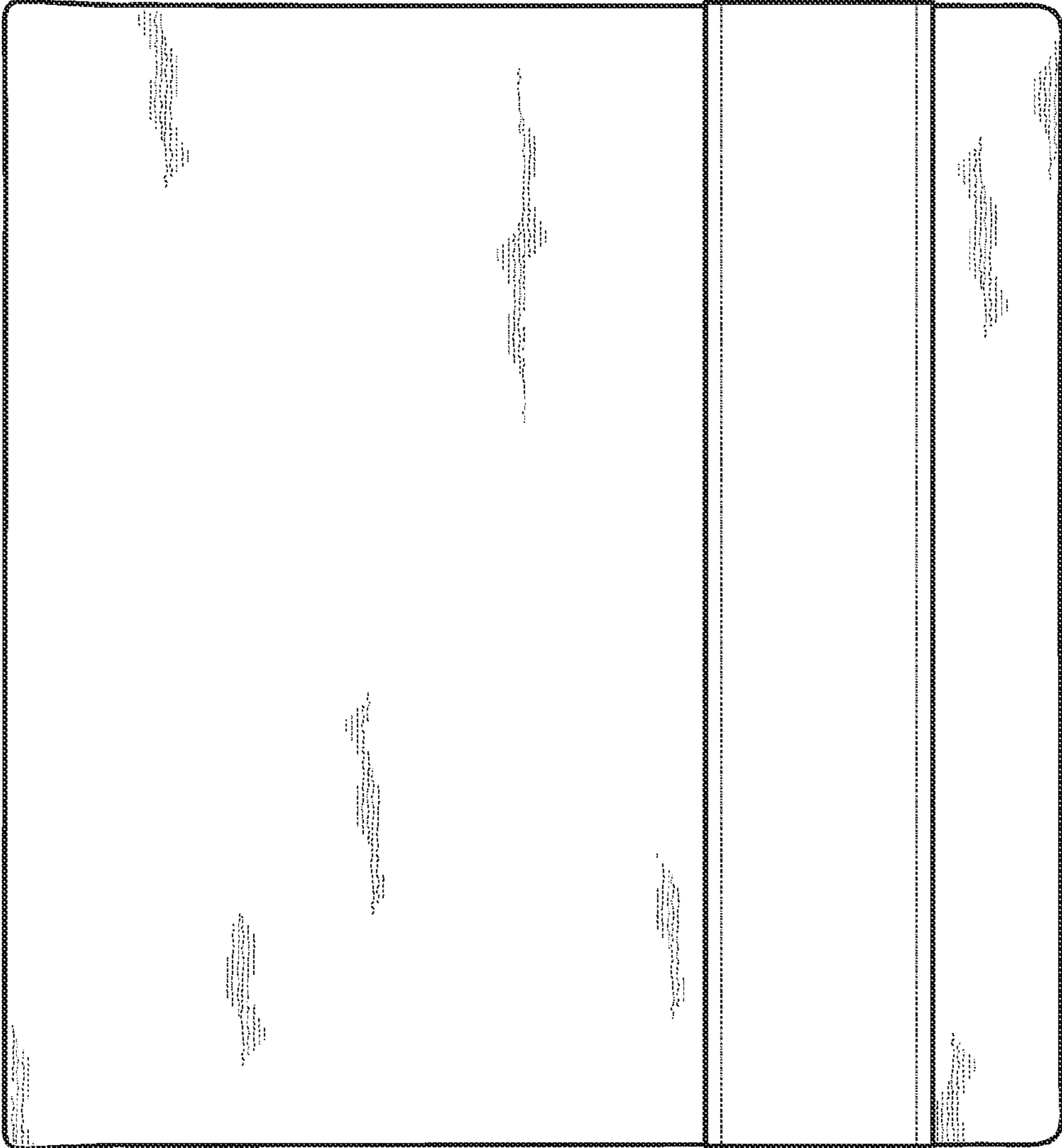


FIG. 3

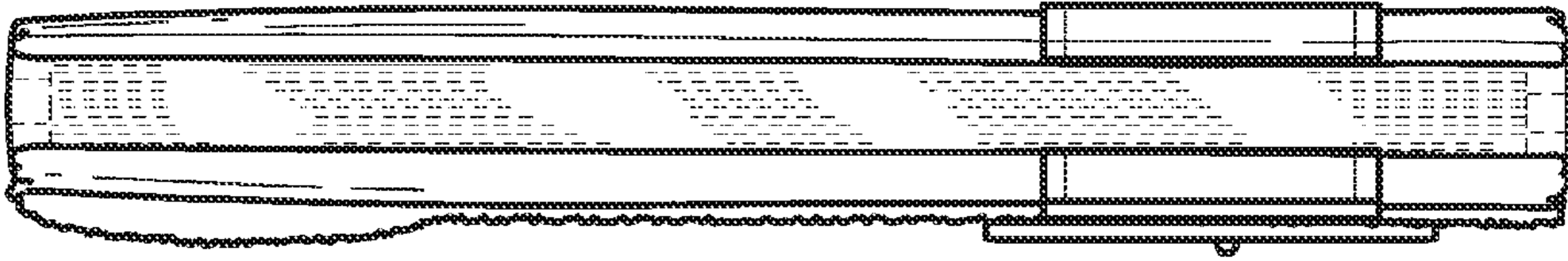


FIG. 5

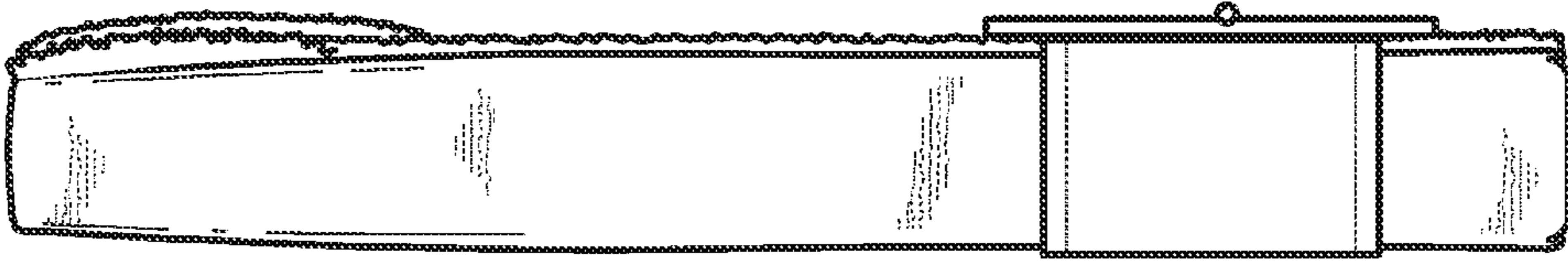


FIG. 4

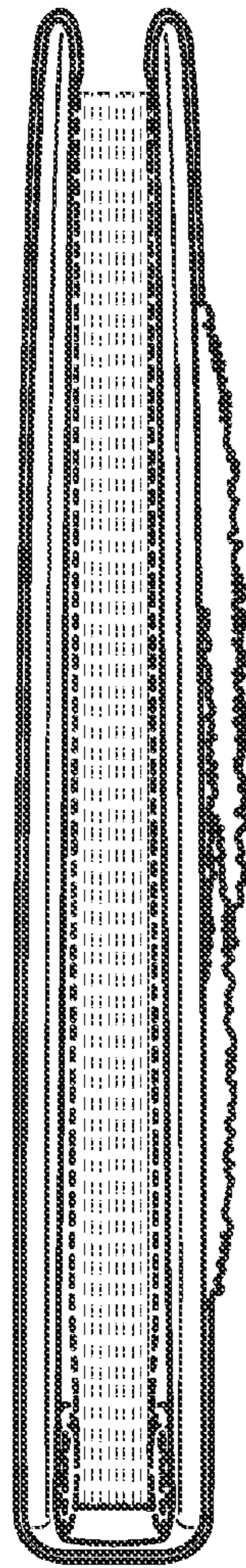


FIG. 6

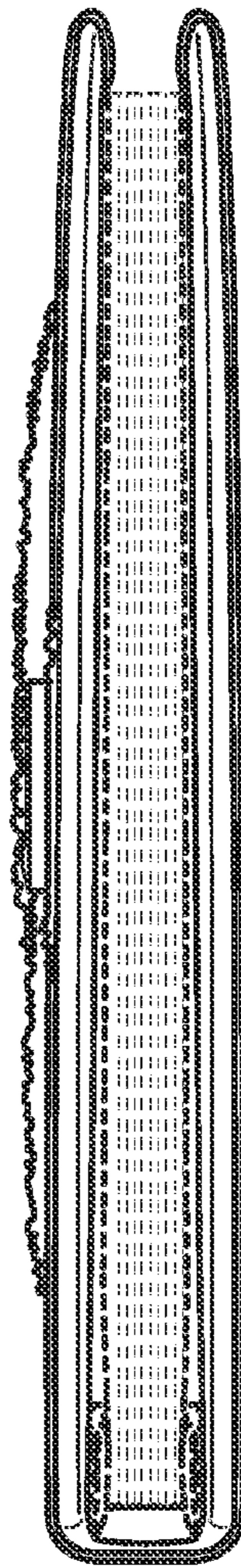


FIG. 7

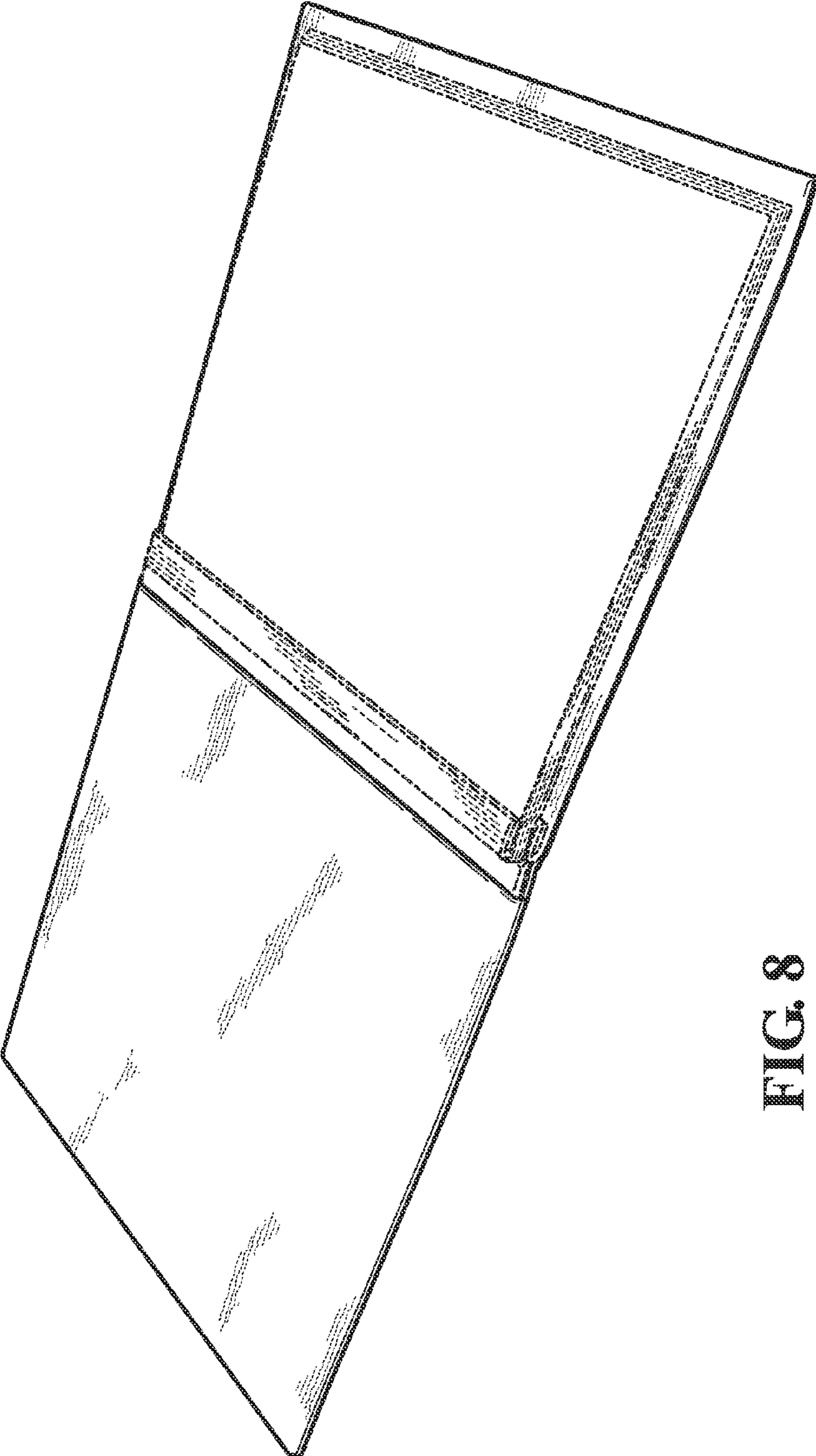


FIG. 8