



US00D694319S

(12) **United States Design Patent**  
**Nakagawa**

(10) **Patent No.:** **US D694,319 S**

(45) **Date of Patent:** **\*\* Nov. 26, 2013**

(54) **TAPE PRINTING MACHINE**

(75) Inventor: **Ryoichi Nakagawa**, Nagoya (JP)

(73) Assignee: **Brother Industries, Ltd.**, Nagoya (JP)

(\*\*) Term: **14 Years**

(21) Appl. No.: **29/432,429**

(22) Filed: **Sep. 14, 2012**

(30) **Foreign Application Priority Data**

May 24, 2012 (JP) ..... 2012-12157

(51) **LOC (9) Cl.** ..... **18-02**

(52) **U.S. Cl.**  
USPC ..... **D18/50; D18/19**

(58) **Field of Classification Search**  
USPC ..... D18/14, 19, 36-38, 50, 53, 54, 54.1, 55,  
D18/59; D14/420-425, 462-470; 400/613,  
400/613.1-613.4, 690.1-690.4, 691-694  
See application file for complete search history.

(56) **References Cited**

**U.S. PATENT DOCUMENTS**

D164,254 S \* 8/1951 Nathan ..... D18/50  
D299,435 S \* 1/1989 Kuwa et al. .... D18/55

D362,673 S \* 9/1995 Yamamoto ..... D18/19  
D387,378 S \* 12/1997 Sugimoto ..... D18/50  
D443,890 S \* 6/2001 Sato et al. .... D18/50  
D449,852 S \* 10/2001 Sugimoto ..... D18/50  
D579,043 S \* 10/2008 Hattori et al. .... D18/50  
D641,394 S \* 7/2011 Inada ..... D18/50

\* cited by examiner

*Primary Examiner* — Cathy A MacCormac

(74) *Attorney, Agent, or Firm* — Oliff & Berridge, PLC

(57) **CLAIM**

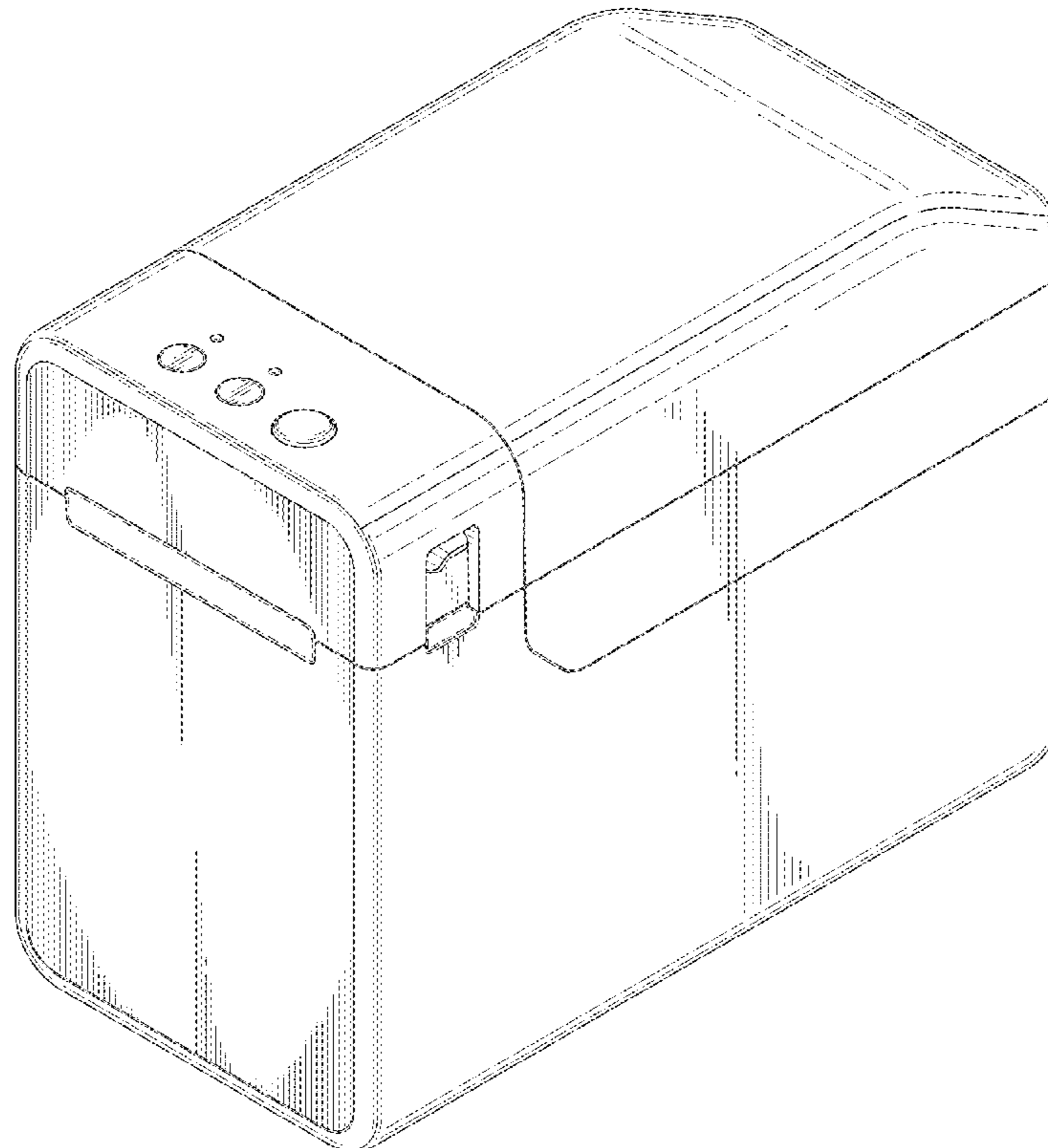
The ornamental design for a tape printing machine, as shown and described.

**DESCRIPTION**

FIG. 1 is a perspective view of a tape printing machine, FIG. 2 is a front view thereof; FIG. 3 is a top view thereof; FIG. 4 is a right-side view thereof, the left-side view being a mirror image of the right-side view; FIG. 5 is a rear view thereof; and, FIG. 6 is a bottom view thereof.

The broken lines depict unclaimed portions only and form no part of the claimed design.

**1 Claim, 6 Drawing Sheets**



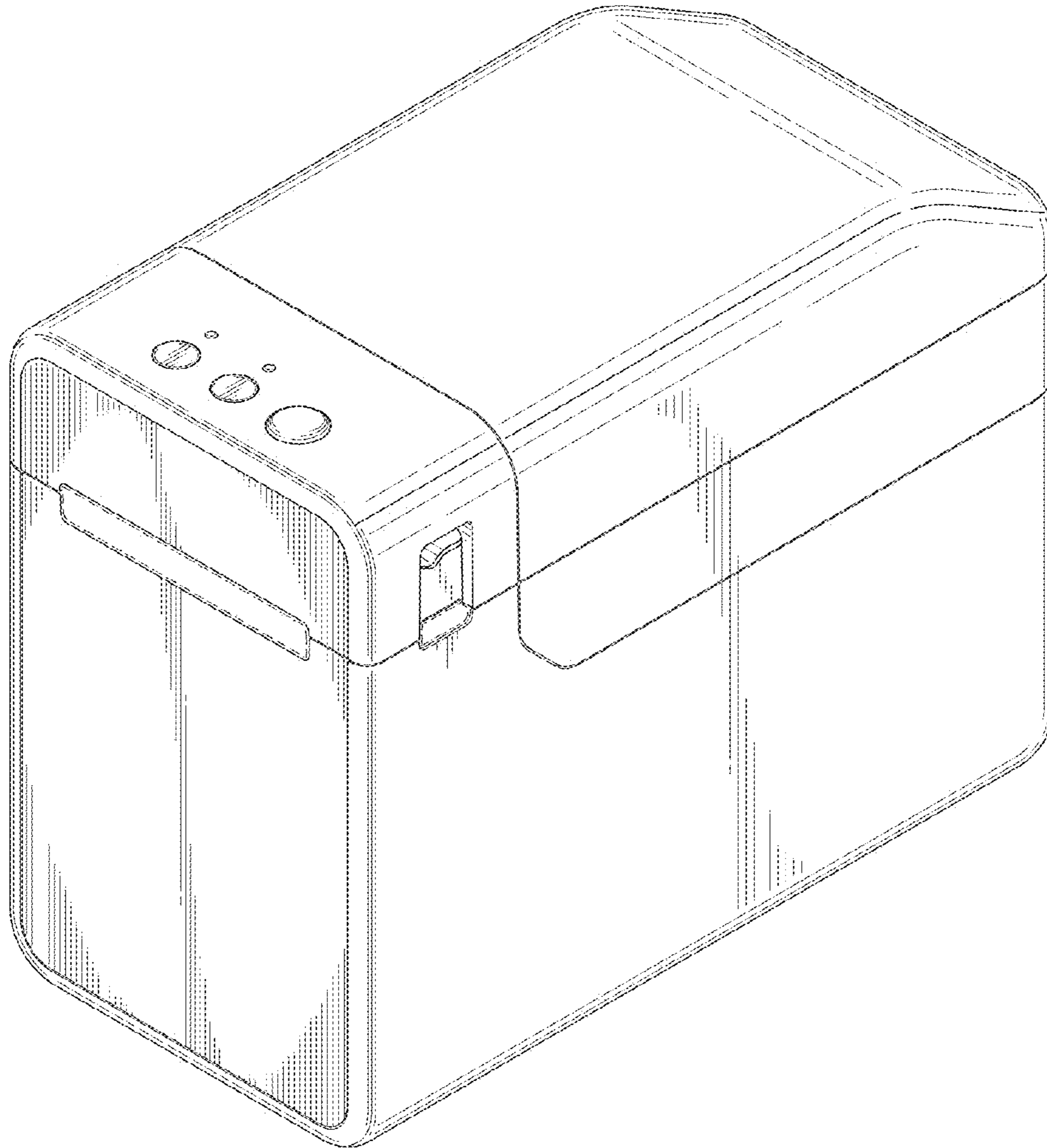


FIG. 1

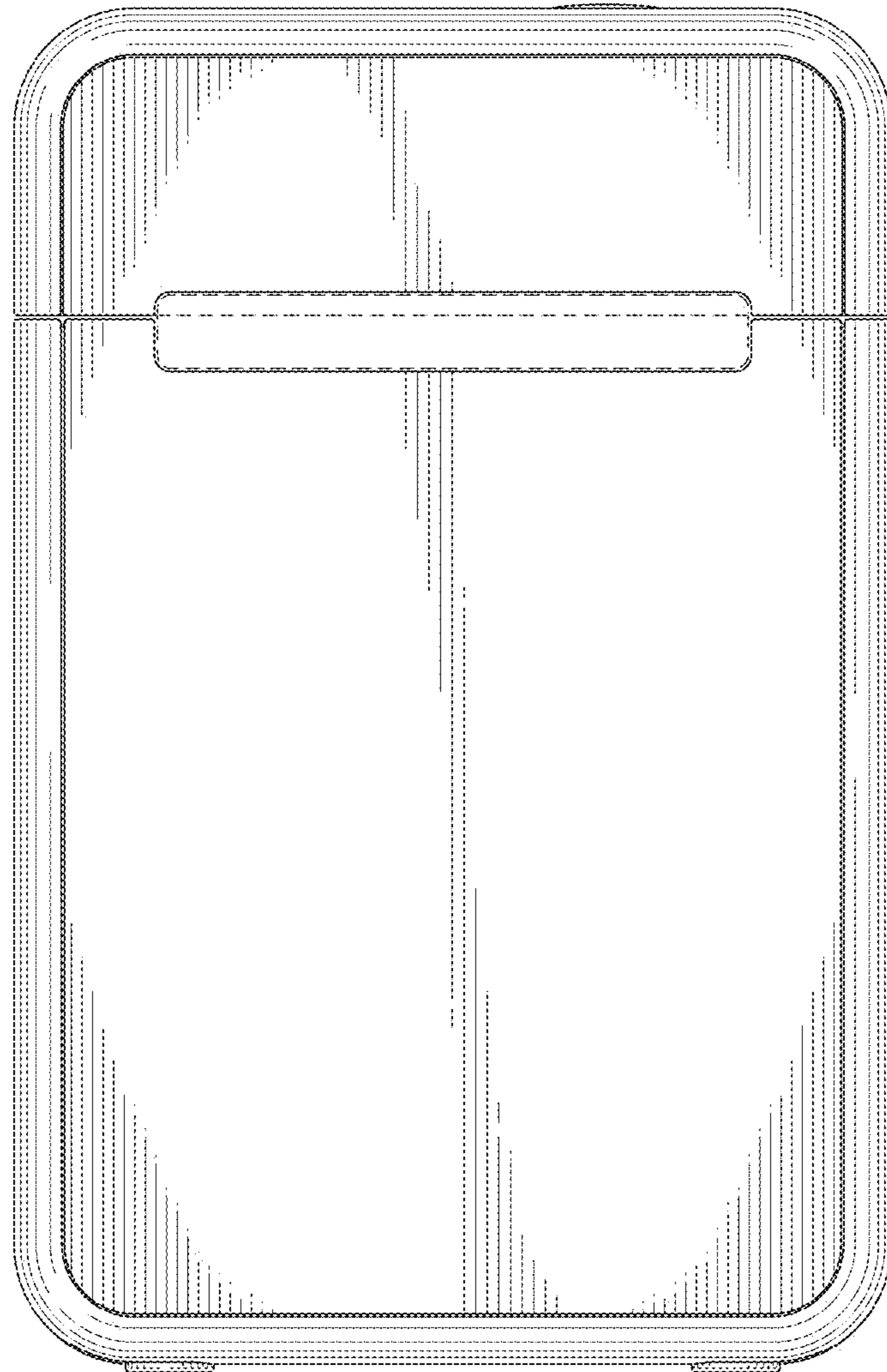


FIG. 2

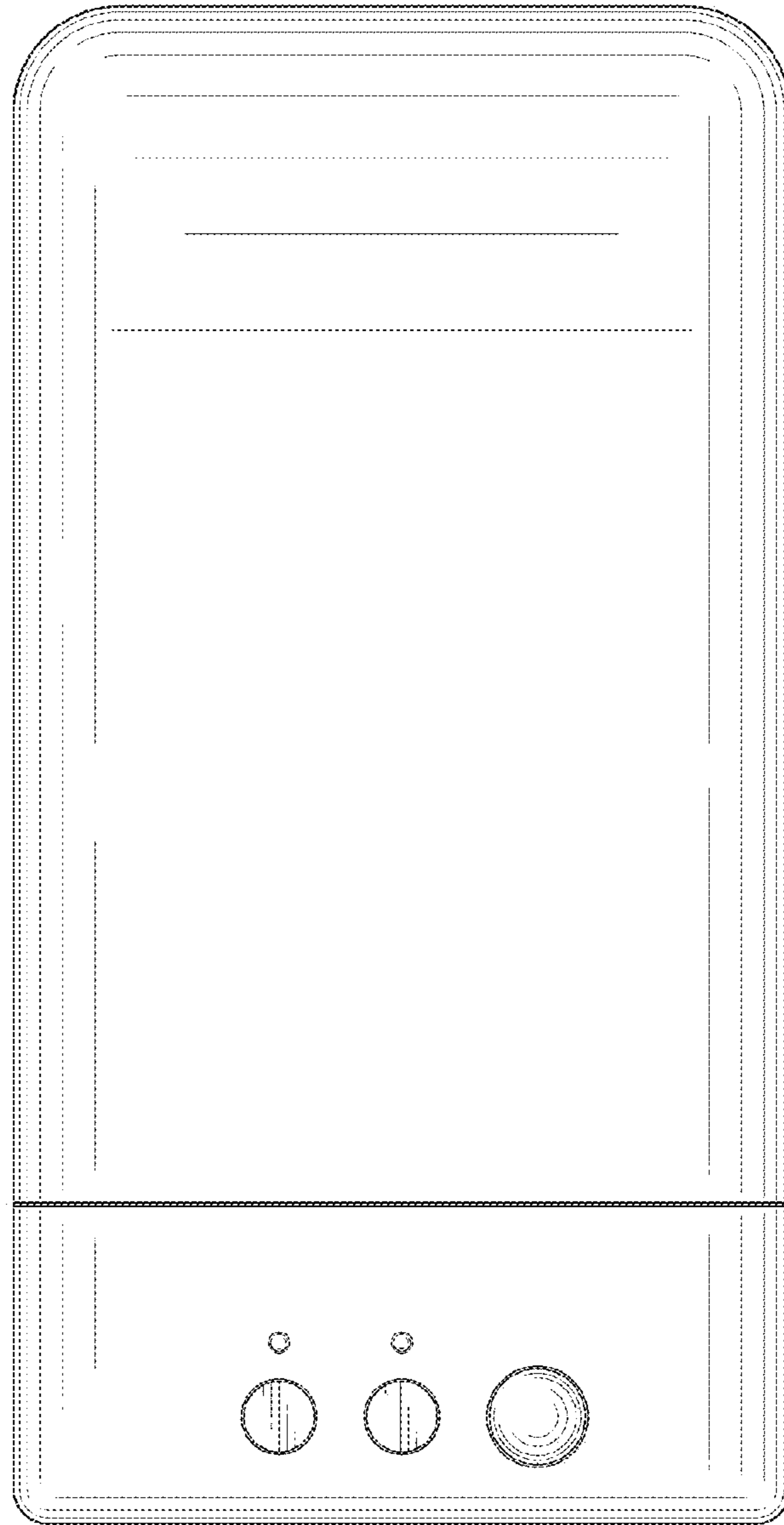


FIG. 3

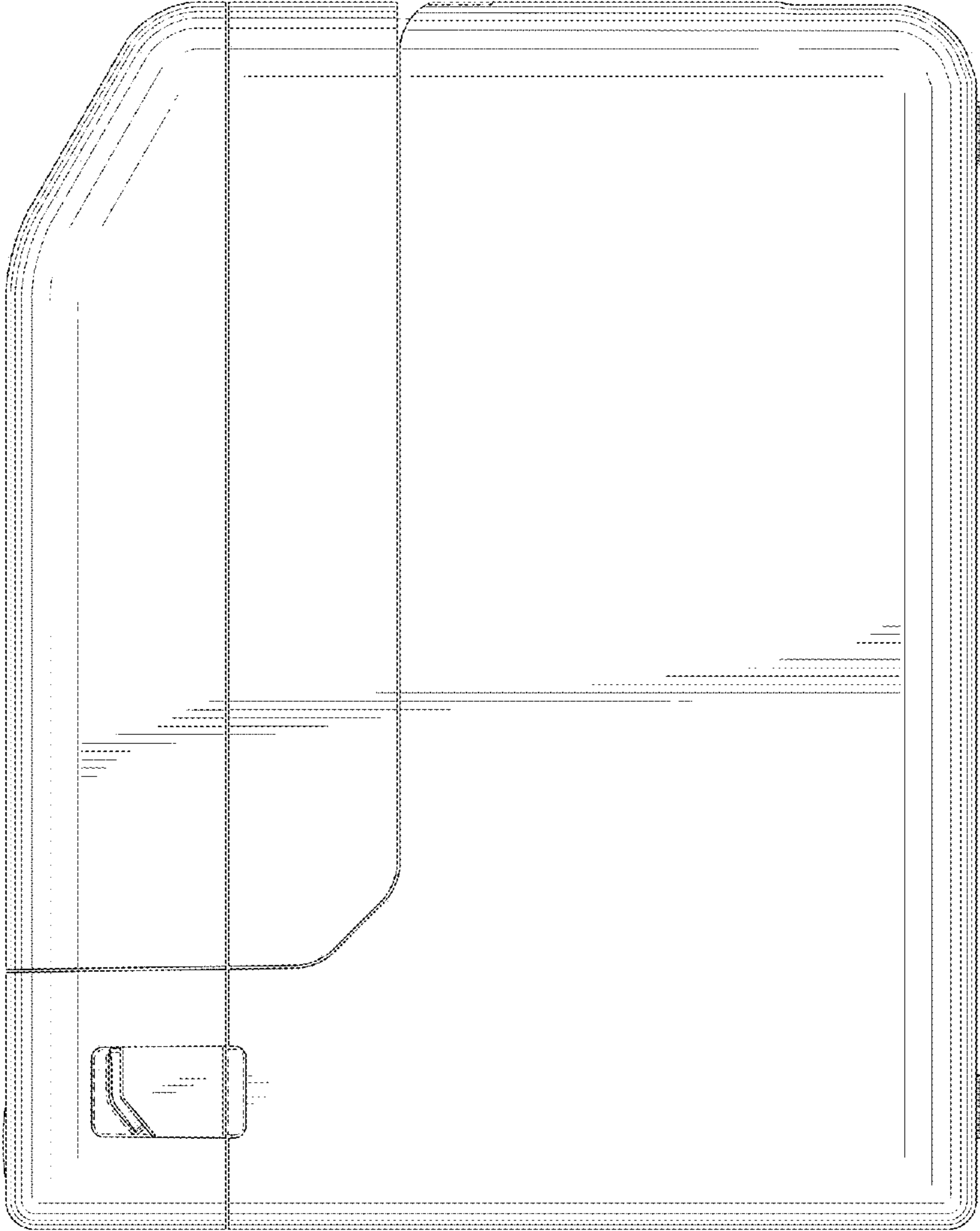


FIG. 4

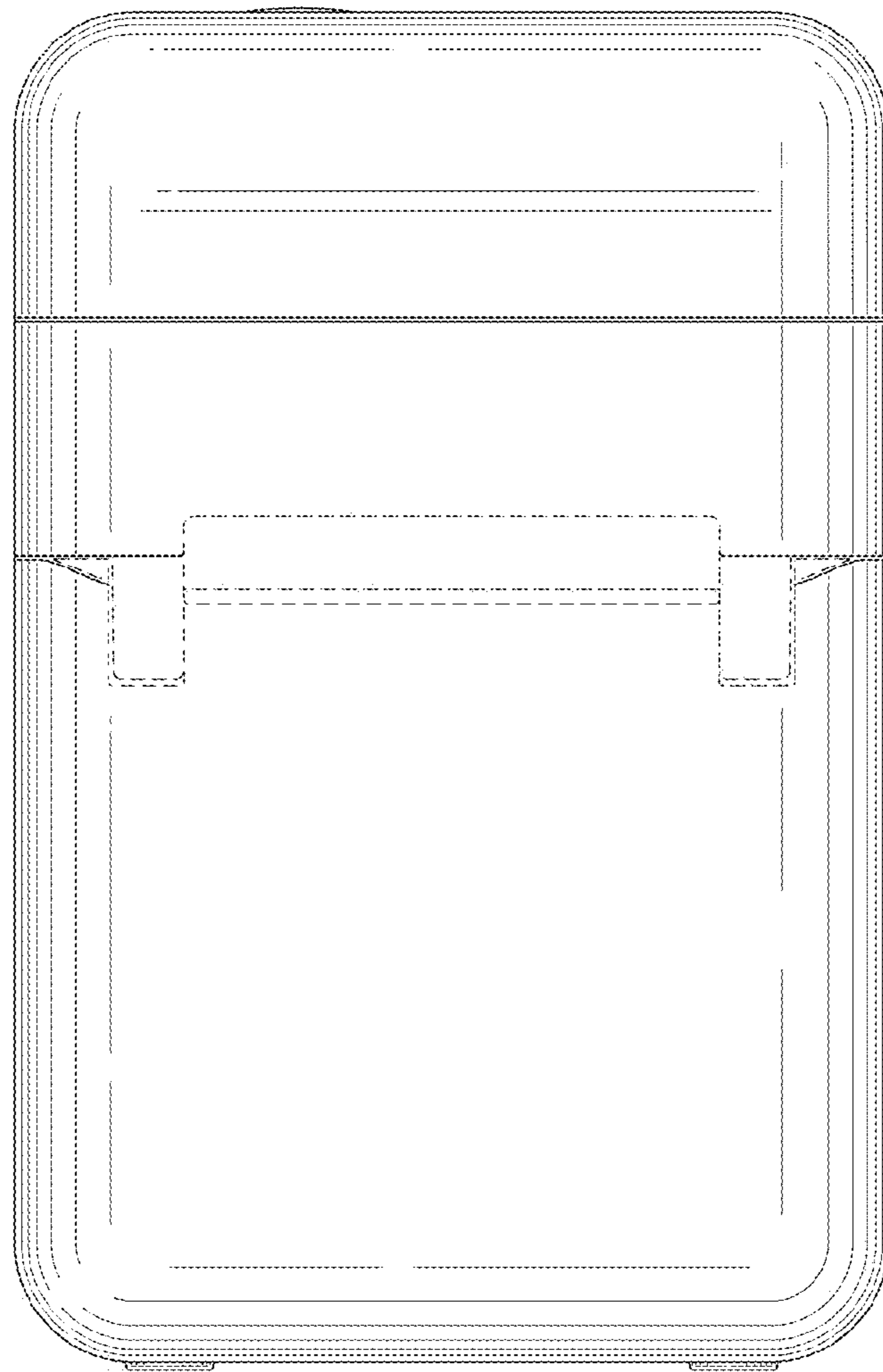


FIG. 5

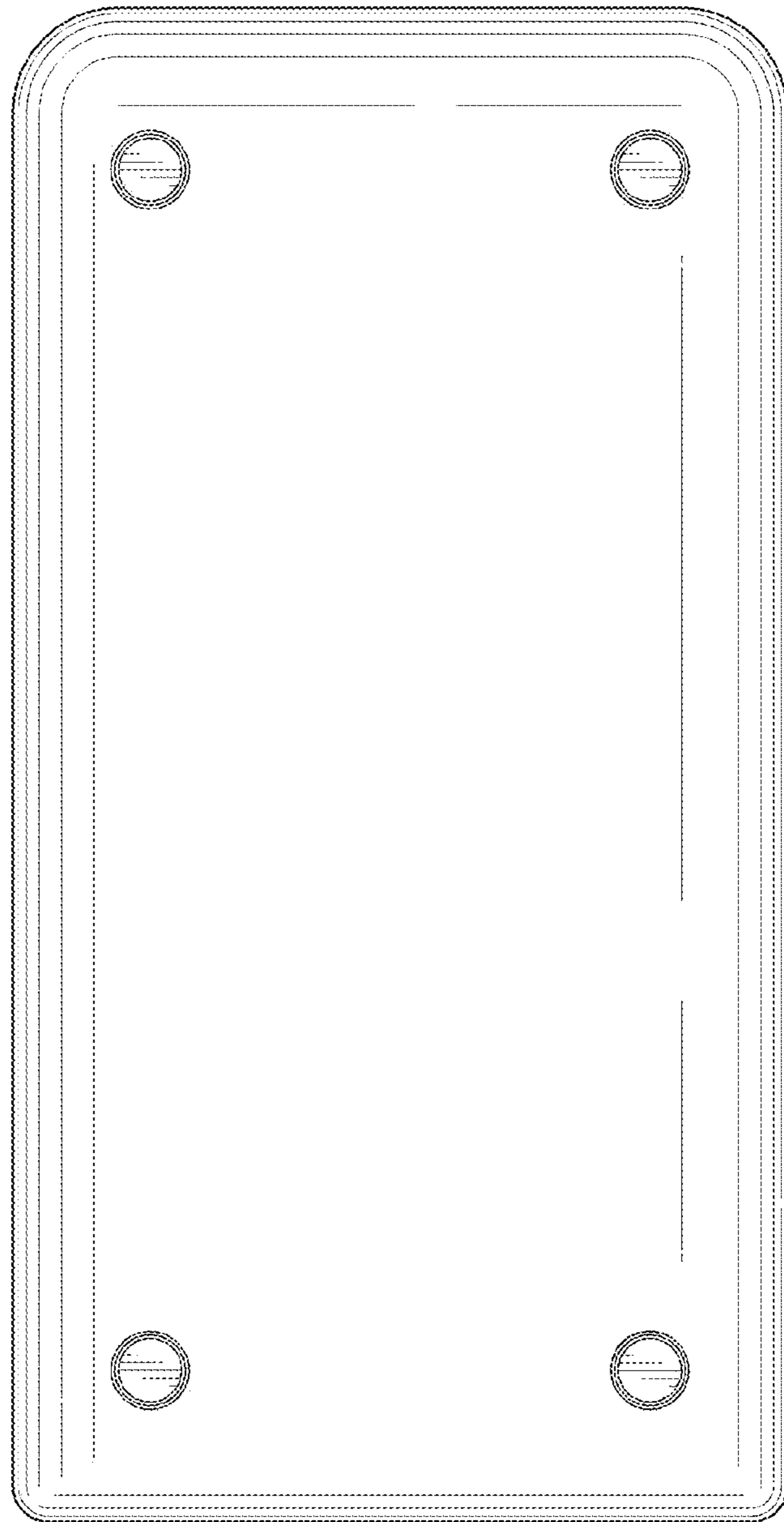


FIG. 6