



US00D694318S

(12) **United States Design Patent**
Jihoon et al.

(10) **Patent No.:** **US D694,318 S**
(45) **Date of Patent:** **** Nov. 26, 2013**

(54) **PRINTER**

(75) Inventors: **Kil Jihoon**, Nagoya (JP); **Jiro Suzuki**,
Kariya (JP); **Yusaku Seki**, Nagoya (JP)

(73) Assignee: **Brother Industries, Ltd.**, Nagoya (JP)

(**) Term: **14 Years**

(21) Appl. No.: **29/432,427**

(22) Filed: **Sep. 14, 2012**

(30) **Foreign Application Priority Data**

Mar. 16, 2012 (JP) 2012-5994

(51) **LOC (9) Cl.** **14-02**

(52) **U.S. Cl.**
USPC **D18/50**

(58) **Field of Classification Search**
USPC D18/14, 19, 36-38, 50, 53, 54, 54.1, 55,
D18/59; D14/420-425, 462-470; 400/613,
400/613.1-613.4, 690.1-690.4, 691-694
See application file for complete search history.

(56) **References Cited**

U.S. PATENT DOCUMENTS

D474,233 S 5/2003 Isomoto
D550,279 S * 9/2007 Tani D18/50
D565,650 S * 4/2008 Tani D18/50
D624,956 S 10/2010 Park et al.
D624,957 S 10/2010 Park et al.
D641,397 S * 7/2011 Kim et al. D18/55

D645,078 S 9/2011 Kim et al.
D647,130 S 10/2011 Kim et al.
D661,346 S 6/2012 Suzuki et al.
D678,403 S * 3/2013 Seki et al. D18/50

OTHER PUBLICATIONS

Design U.S. Appl. No. 29/416,911 to Seki et al. filed Mar. 28, 2012
D678,403.

* cited by examiner

Primary Examiner — Cathy A MacCormac

(74) *Attorney, Agent, or Firm* — Oliff & Berridge, PLC

(57) **CLAIM**

The ornamental design for a printer, as shown and described.

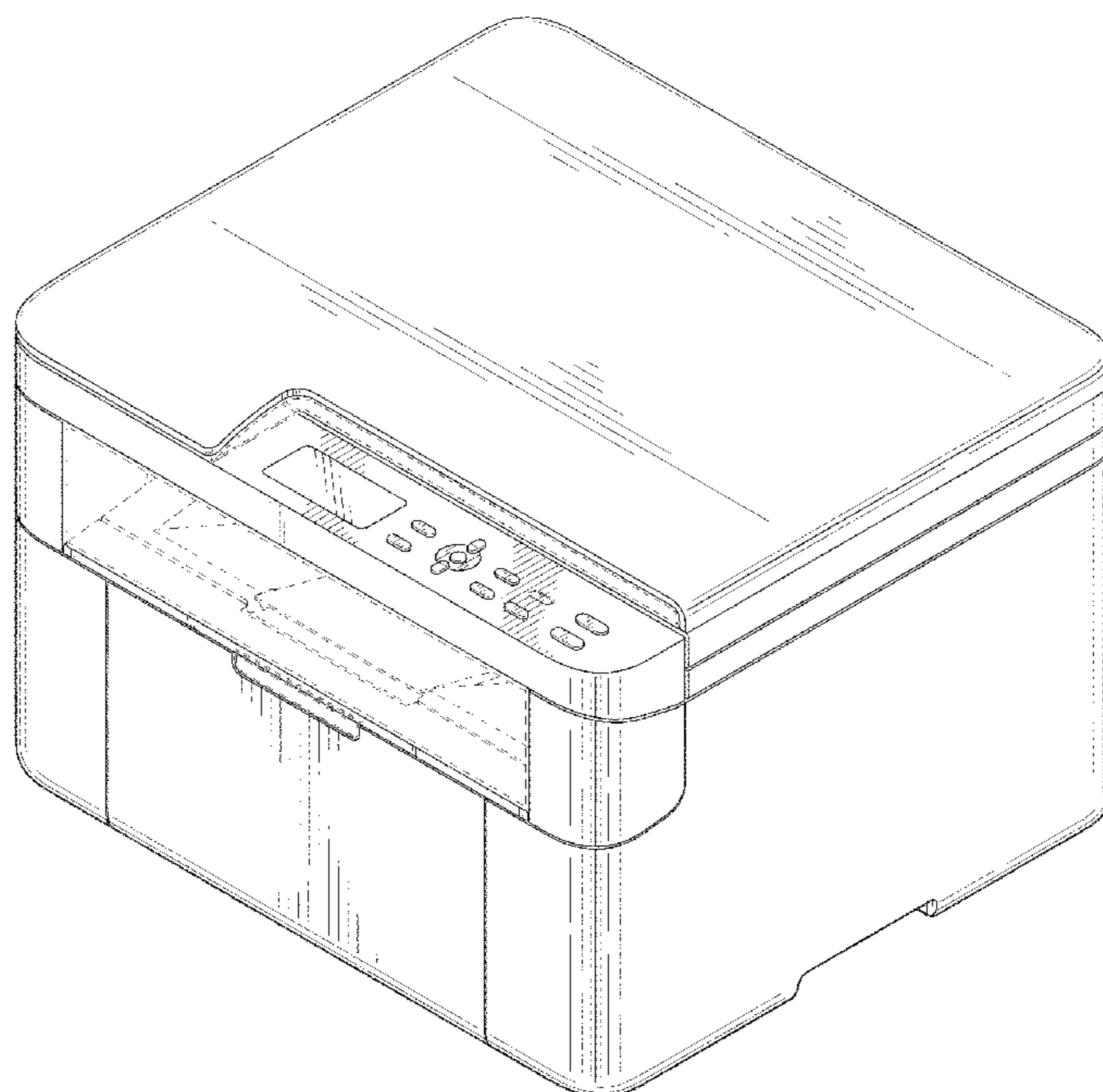
DESCRIPTION

FIG. 1 is a top, front, right-side perspective view of a printer;
FIG. 2 is a front view thereof;
FIG. 3 is a top view thereof;
FIG. 4 is a right-side view thereof;
FIG. 5 is a left-side view thereof;
FIG. 6 is a rear view thereof; and,
FIG. 7 is a bottom view thereof.

The broken lines depict unclaimed portions only and form no
part of the claimed design.

The dot chain lines depict a boundary between claimed and
unclaimed subject matter, and form no part of the claimed
design.

1 Claim, 6 Drawing Sheets



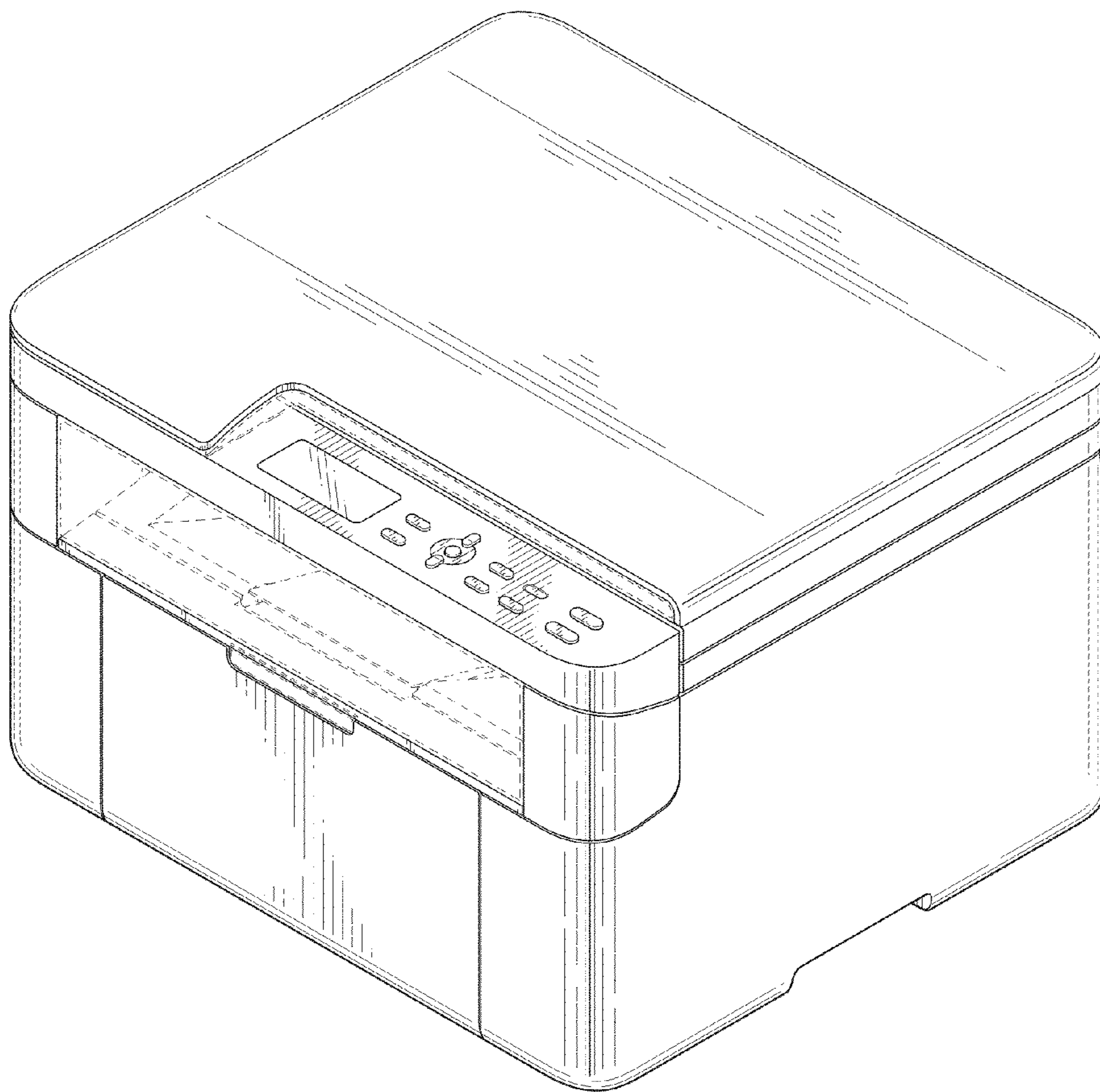


FIG. 1

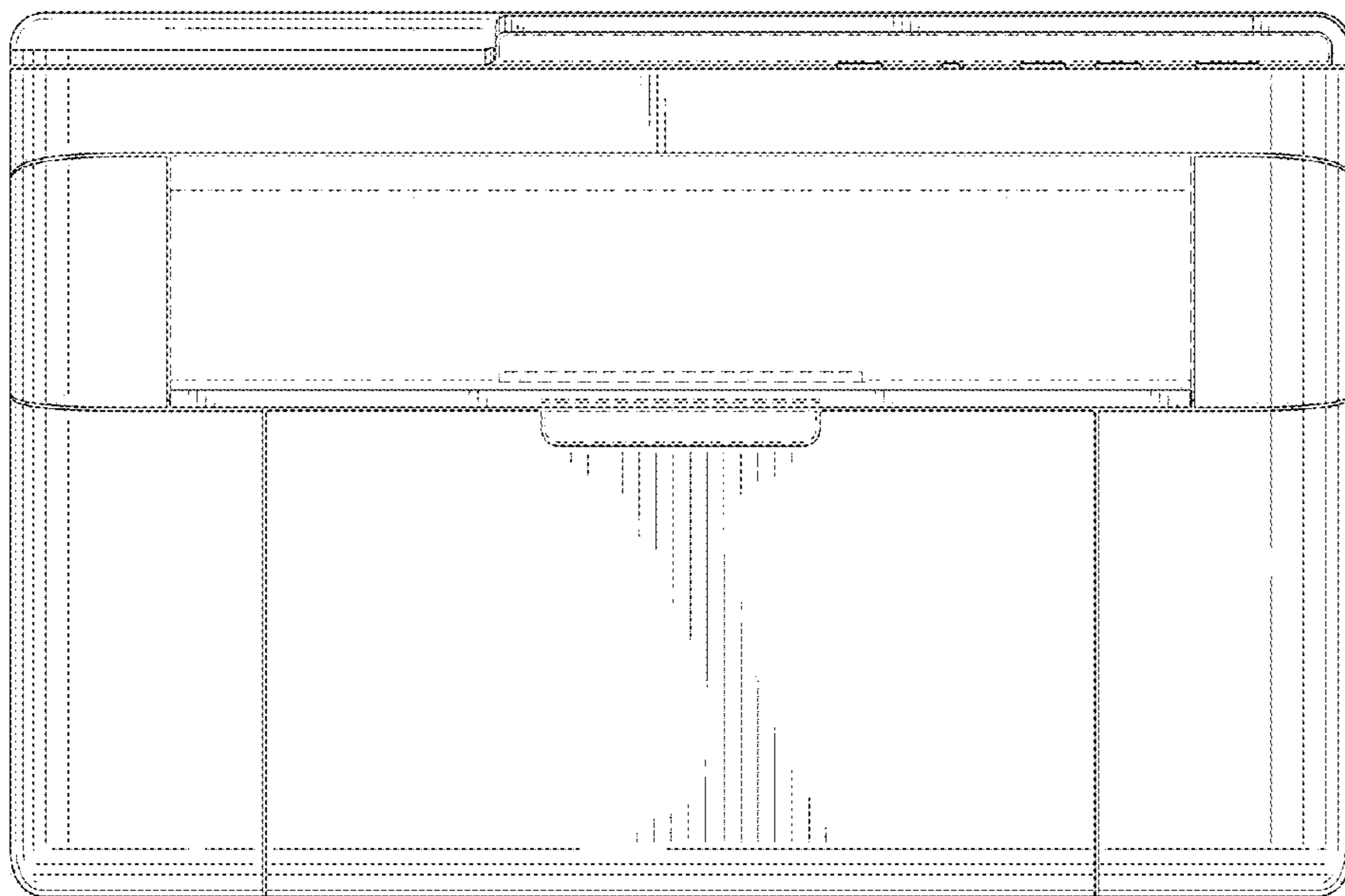


FIG. 2

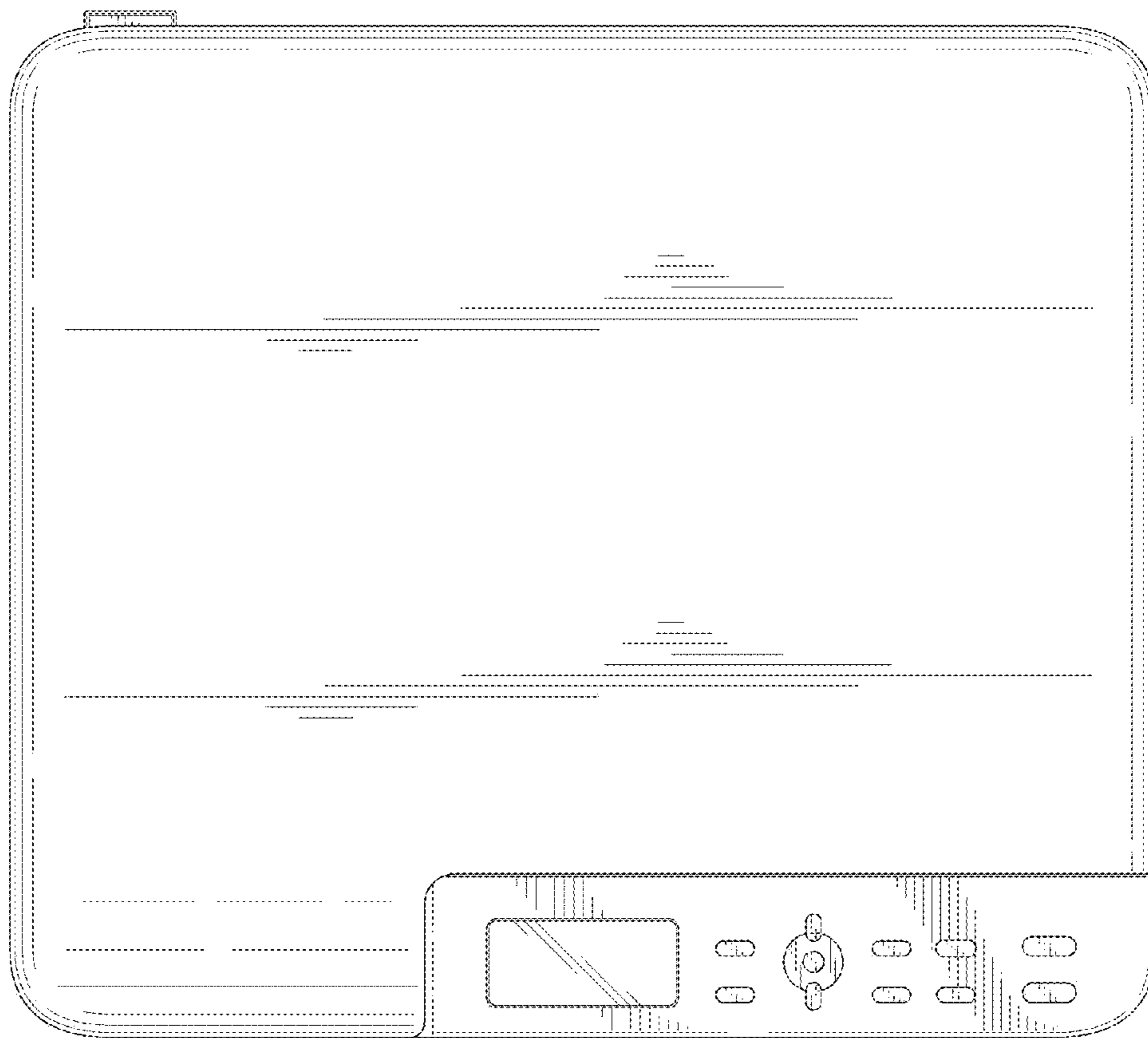


FIG. 3

FIG. 4

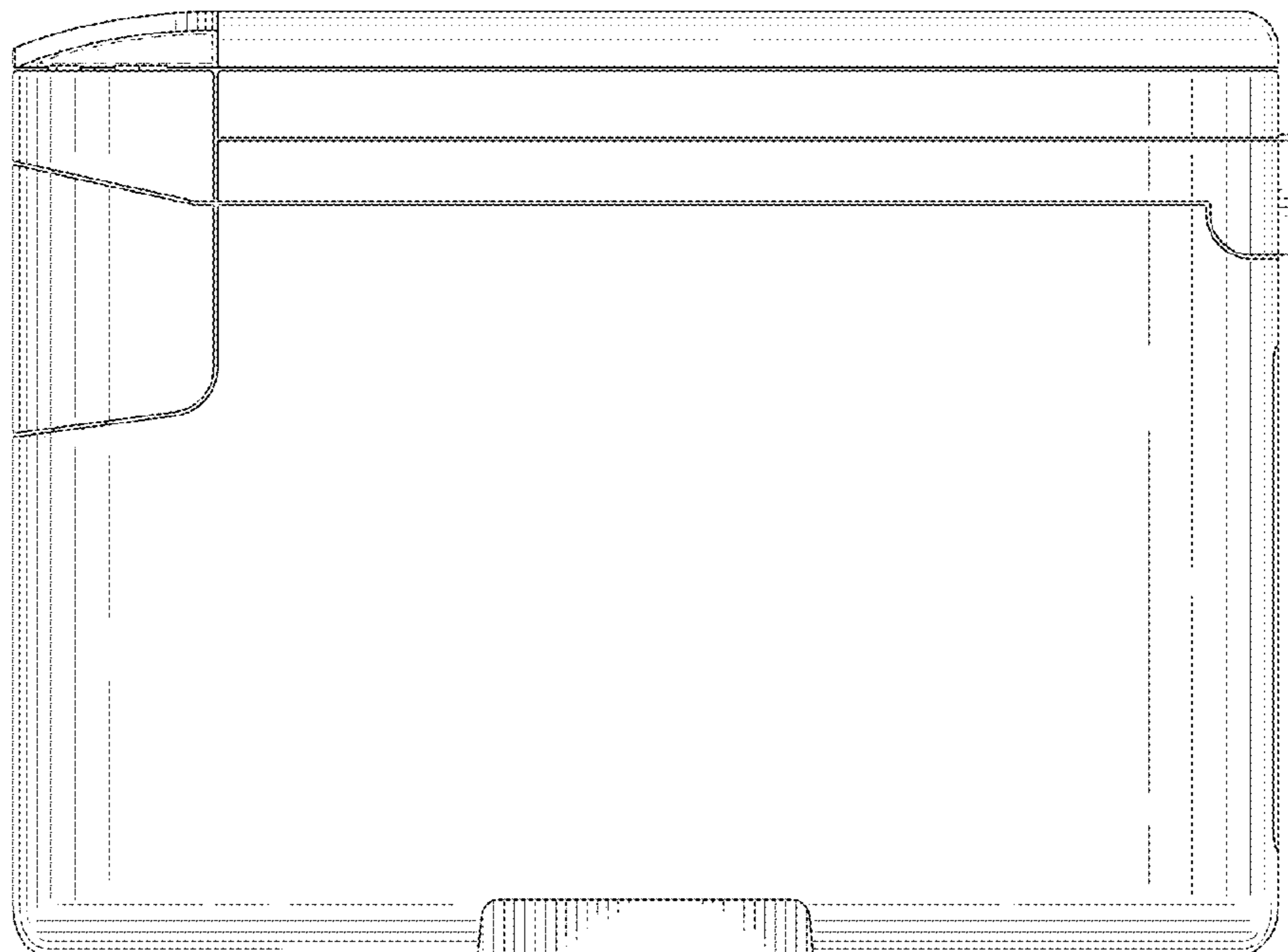
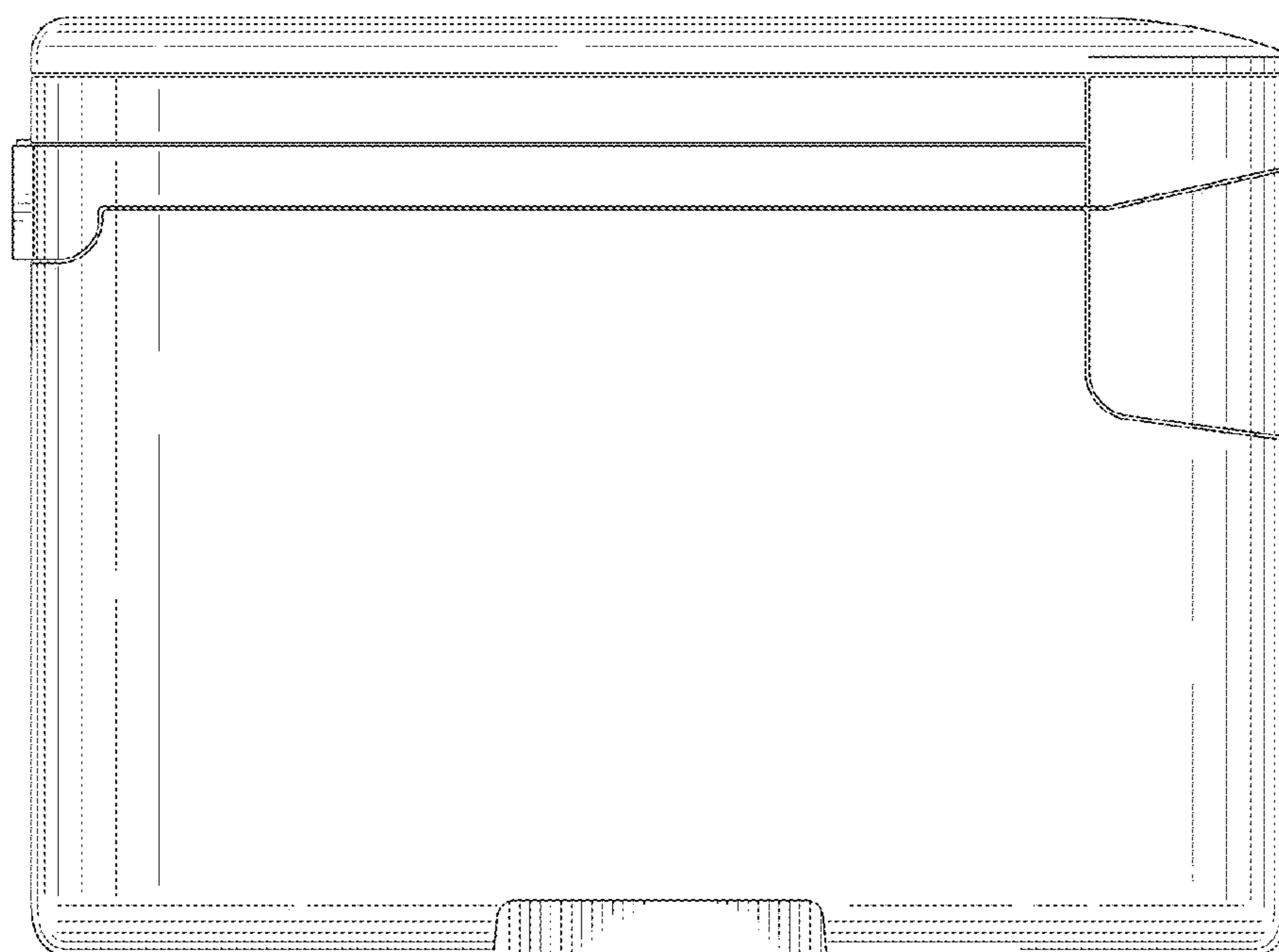


FIG. 5



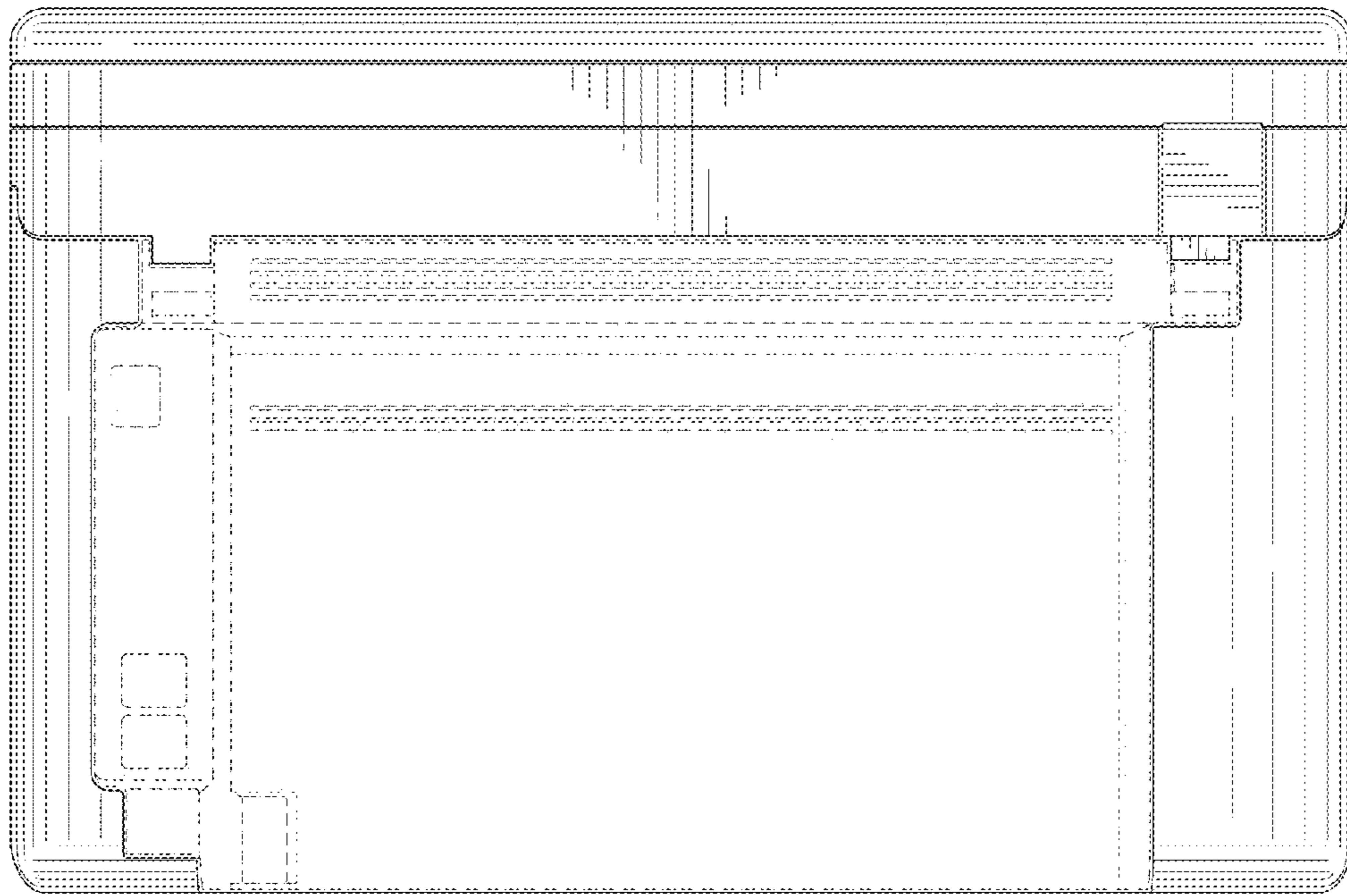


FIG. 6

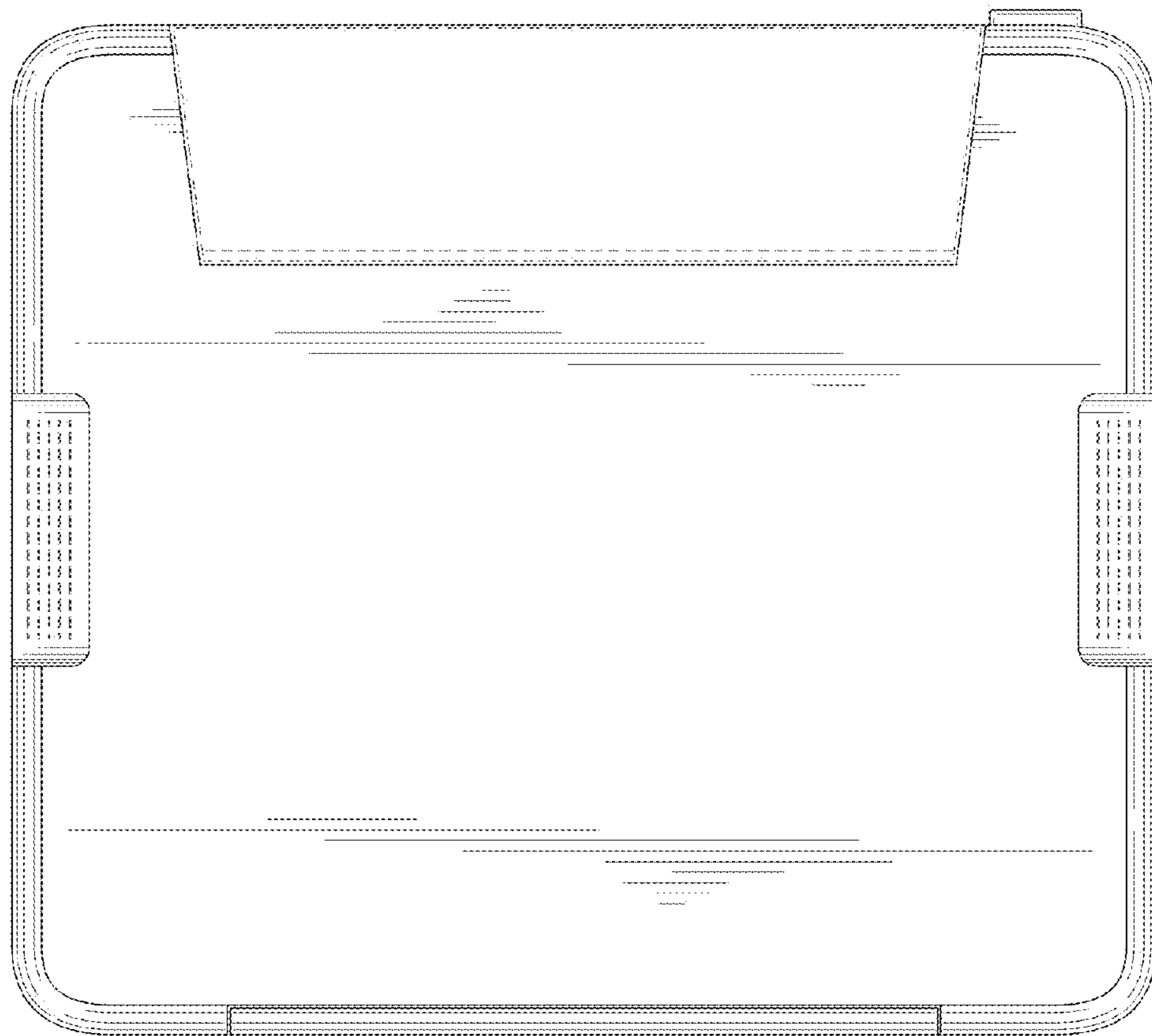


FIG. 7