



US00D694316S

(12) **United States Design Patent**  
**Jihoon et al.**

(10) **Patent No.:** **US D694,316 S**

(45) **Date of Patent:** **\*\* Nov. 26, 2013**

(54) **PRINTER**

(75) Inventors: **Kil Jihoon**, Nagoya (JP); **Jiro Suzuki**,  
Kariya (JP); **Yusaku Seki**, Nagoya (JP)

(73) Assignee: **Brother Industries, Ltd.**, Nagoya (JP)

(\*\*) Term: **14 Years**

(21) Appl. No.: **29/432,397**

(22) Filed: **Sep. 14, 2012**

(30) **Foreign Application Priority Data**

Mar. 16, 2012 (JP) ..... 2012-5996

(51) **LOC (9) Cl.** ..... **14-02**

(52) **U.S. Cl.**  
USPC ..... **D18/50**

(58) **Field of Classification Search**  
USPC ..... D18/14, 19, 36-38, 50, 53, 54, 54.1, 55,  
D18/59; D14/420-425, 462-470; 400/613,  
400/613.1-613.4, 690.1-690.4, 691-694  
See application file for complete search history.

(56) **References Cited**

**U.S. PATENT DOCUMENTS**

D528,154 S \* 9/2006 Hattori ..... D18/54  
D550,279 S \* 9/2007 Tani ..... D18/50  
D565,650 S \* 4/2008 Tani ..... D18/50  
D584,344 S 1/2009 Lee et al.  
D586,385 S 2/2009 Kim et al.

D633,556 S 3/2011 Park et al.  
D641,778 S 7/2011 Lee et al.  
D660,351 S \* 5/2012 Larson et al. .... D18/55  
D662,974 S 7/2012 Suzuki et al.  
D673,603 S \* 1/2013 Suzuki et al. .... D18/55  
D678,403 S \* 3/2013 Seki et al. .... D18/50

**OTHER PUBLICATIONS**

Design U.S. Appl. No. 29/416,924 to Seki et al. filed Mar. 28, 2012.  
Design U.S. Appl. No. 29/416,893 to Suzuki et al. filed Mar. 28, 2012.

\* cited by examiner

*Primary Examiner* — Cathy A MacCormac

(74) *Attorney, Agent, or Firm* — Oliff & Berridge, PLC

(57) **CLAIM**

The ornamental design for a printer, as shown and described.

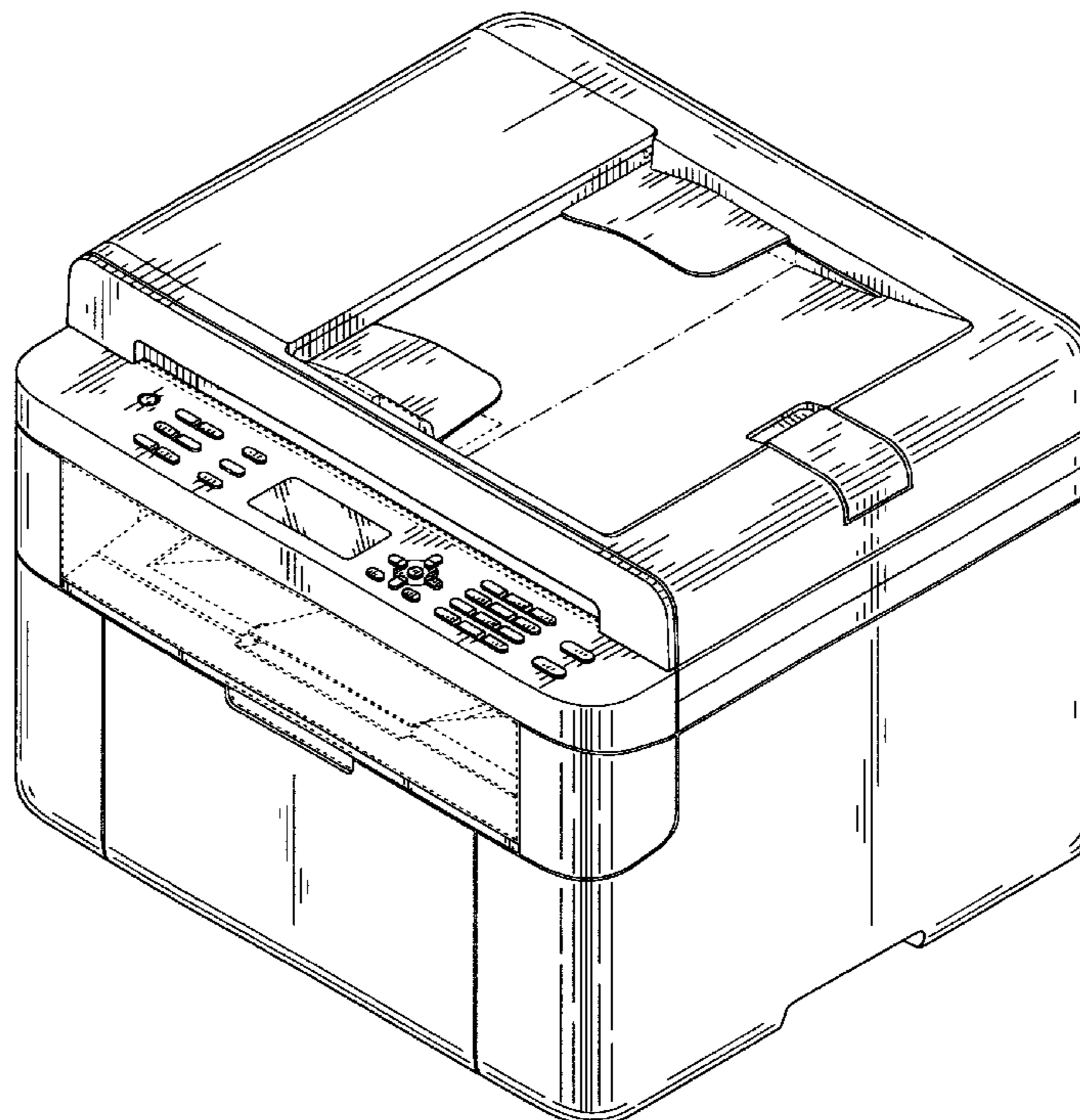
**DESCRIPTION**

FIG. 1 is a top, front, right-side perspective view of a printer;  
FIG. 2 is a front view thereof;  
FIG. 3 is a top view thereof;  
FIG. 4 is a right-side view thereof;  
FIG. 5 is a left-side view thereof;  
FIG. 6 is a rear view thereof; and,  
FIG. 7 is a bottom view thereof.

The broken lines depict unclaimed portions only and form no part of the claimed design.

The dot chain lines depict a boundary between claimed and unclaimed surfaces only and form no part of the claimed design.

**1 Claim, 7 Drawing Sheets**



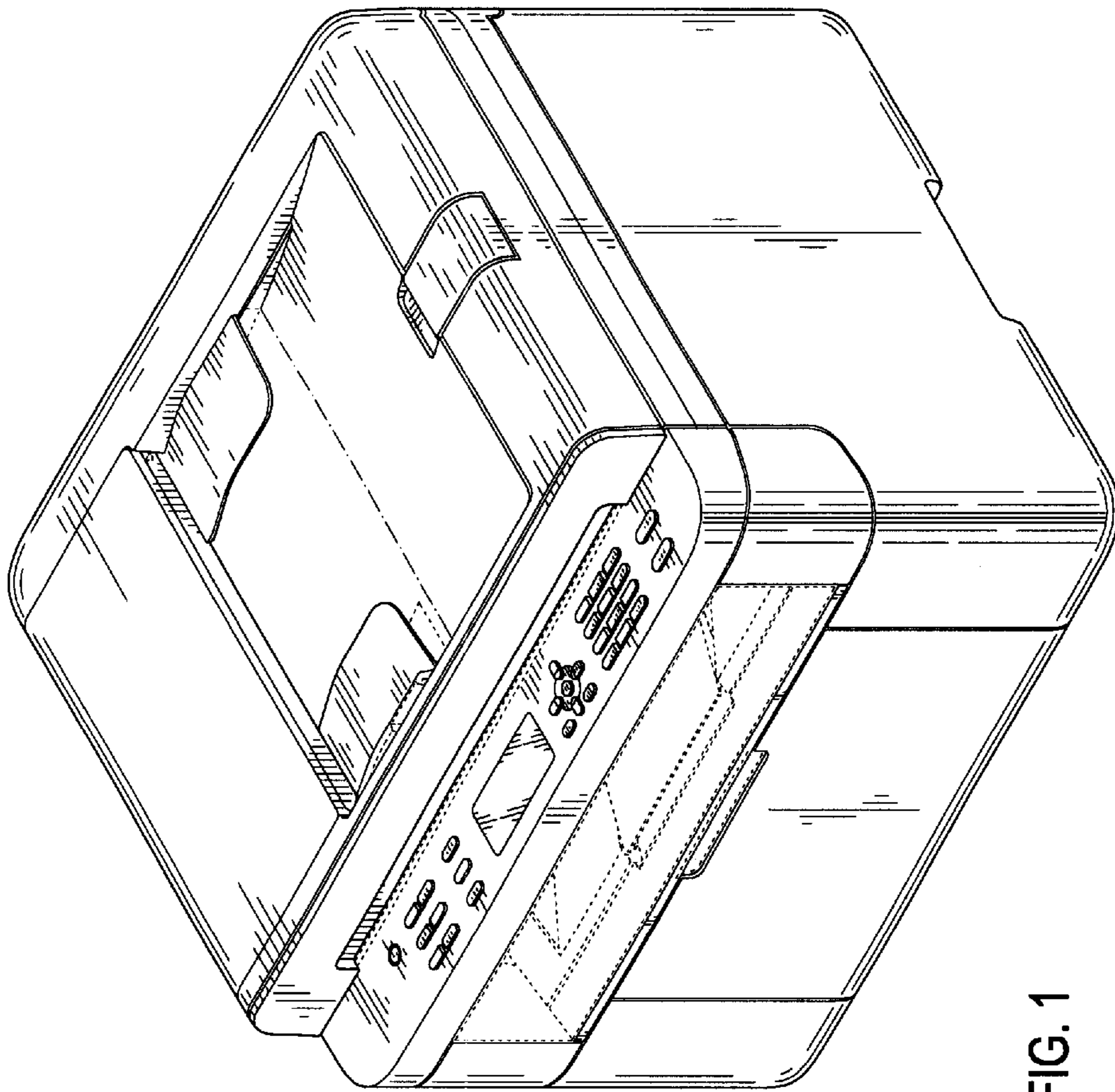


FIG. 1

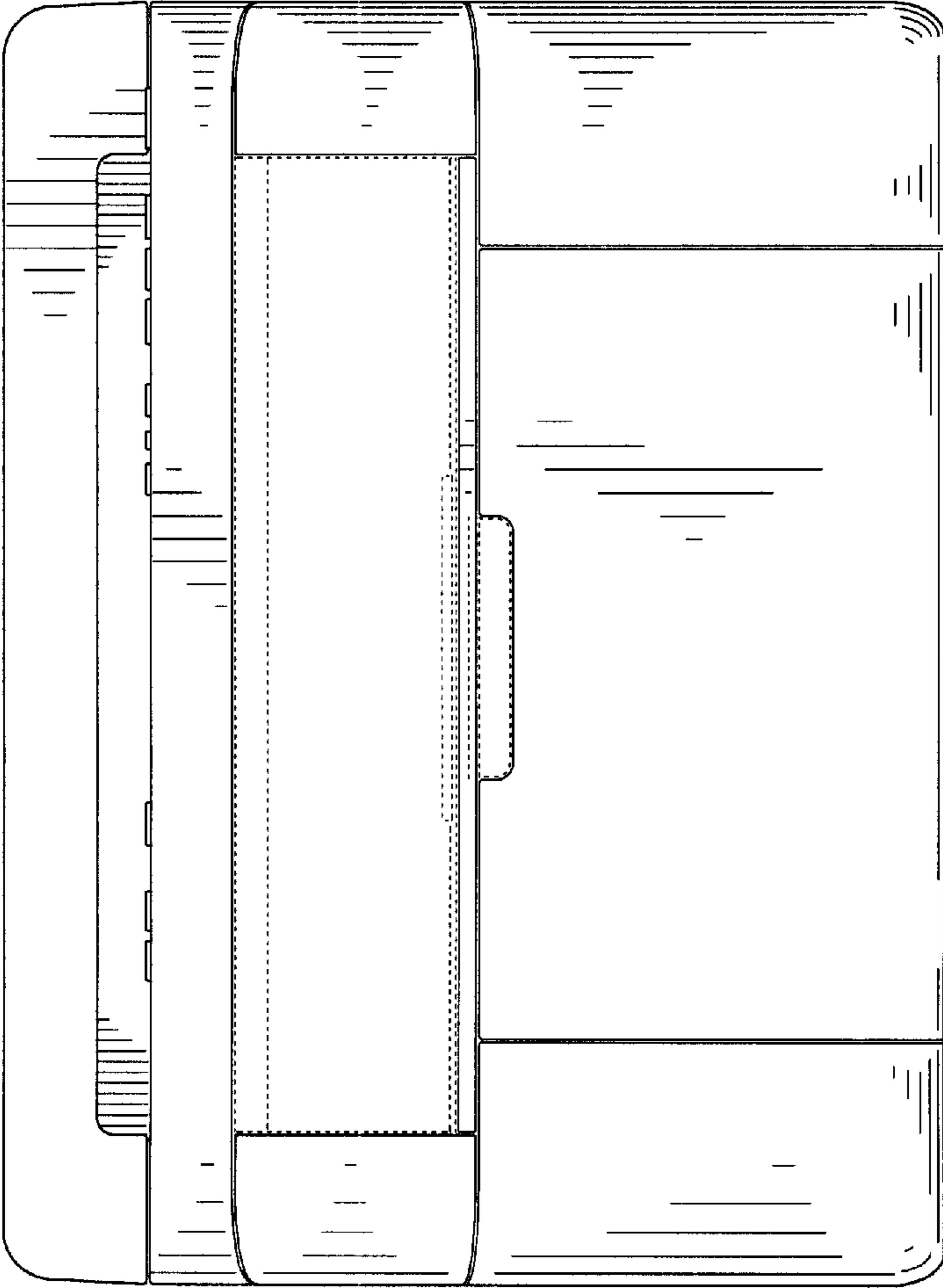


FIG. 2

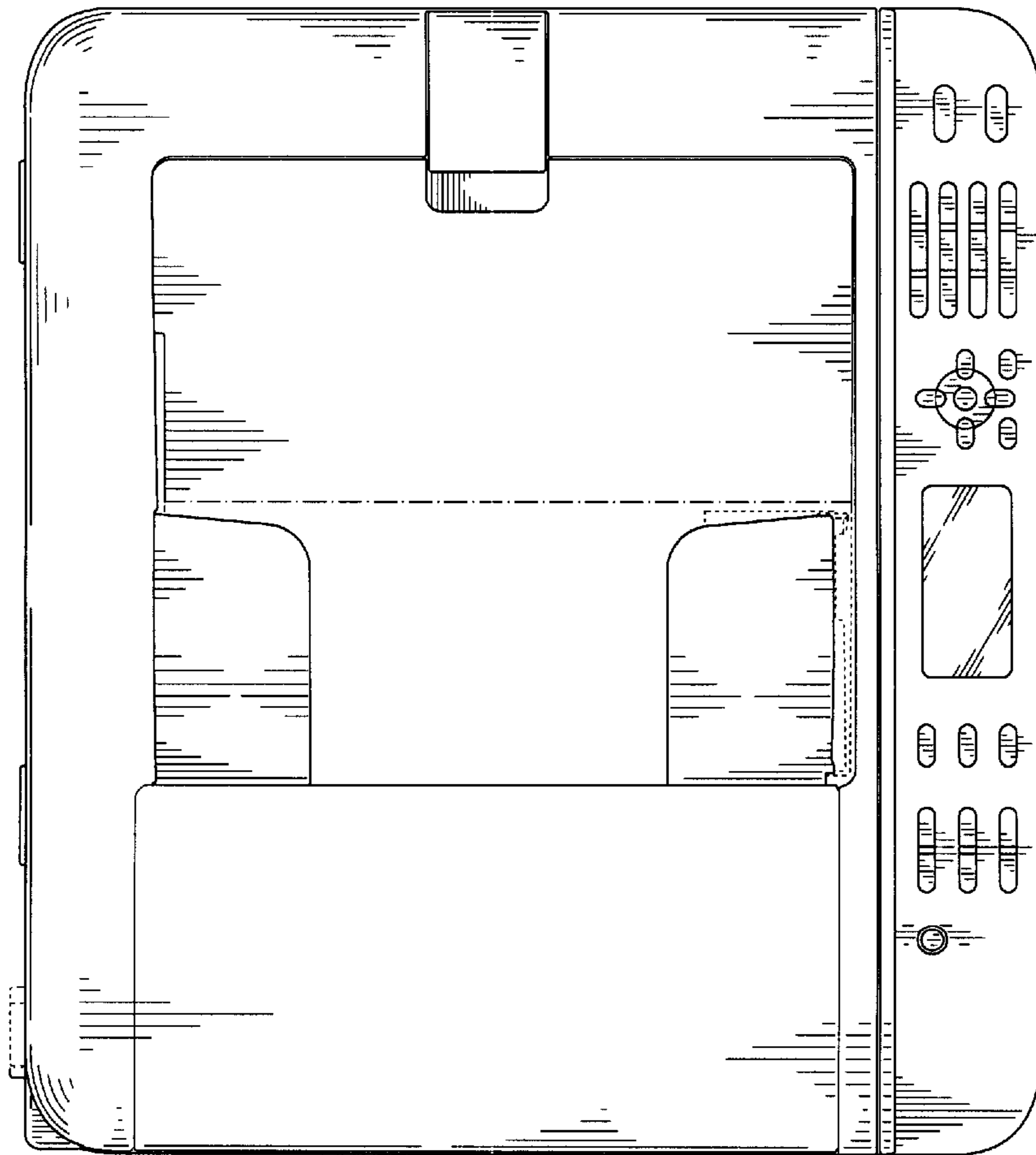


FIG. 3

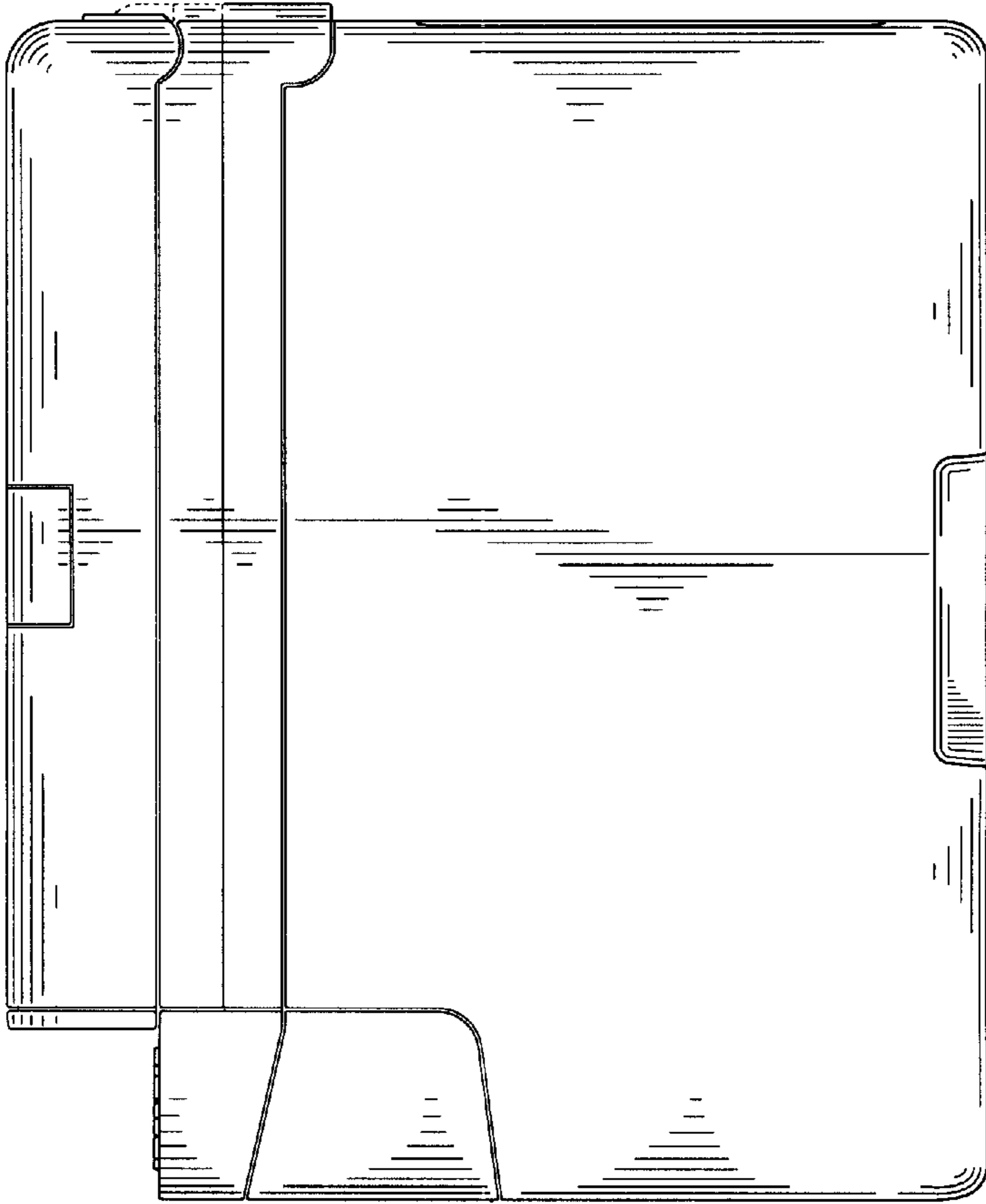


FIG. 4

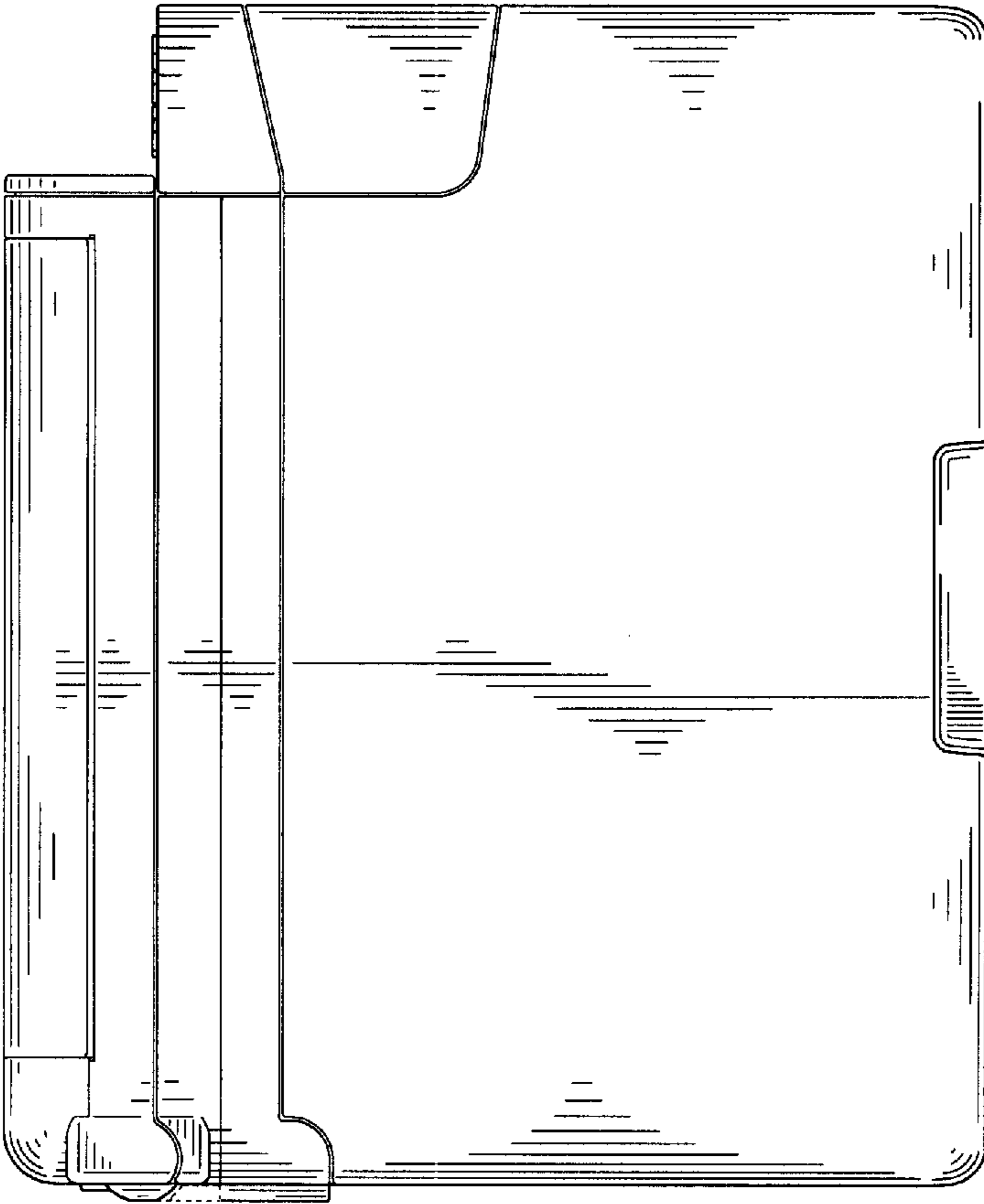


FIG. 5

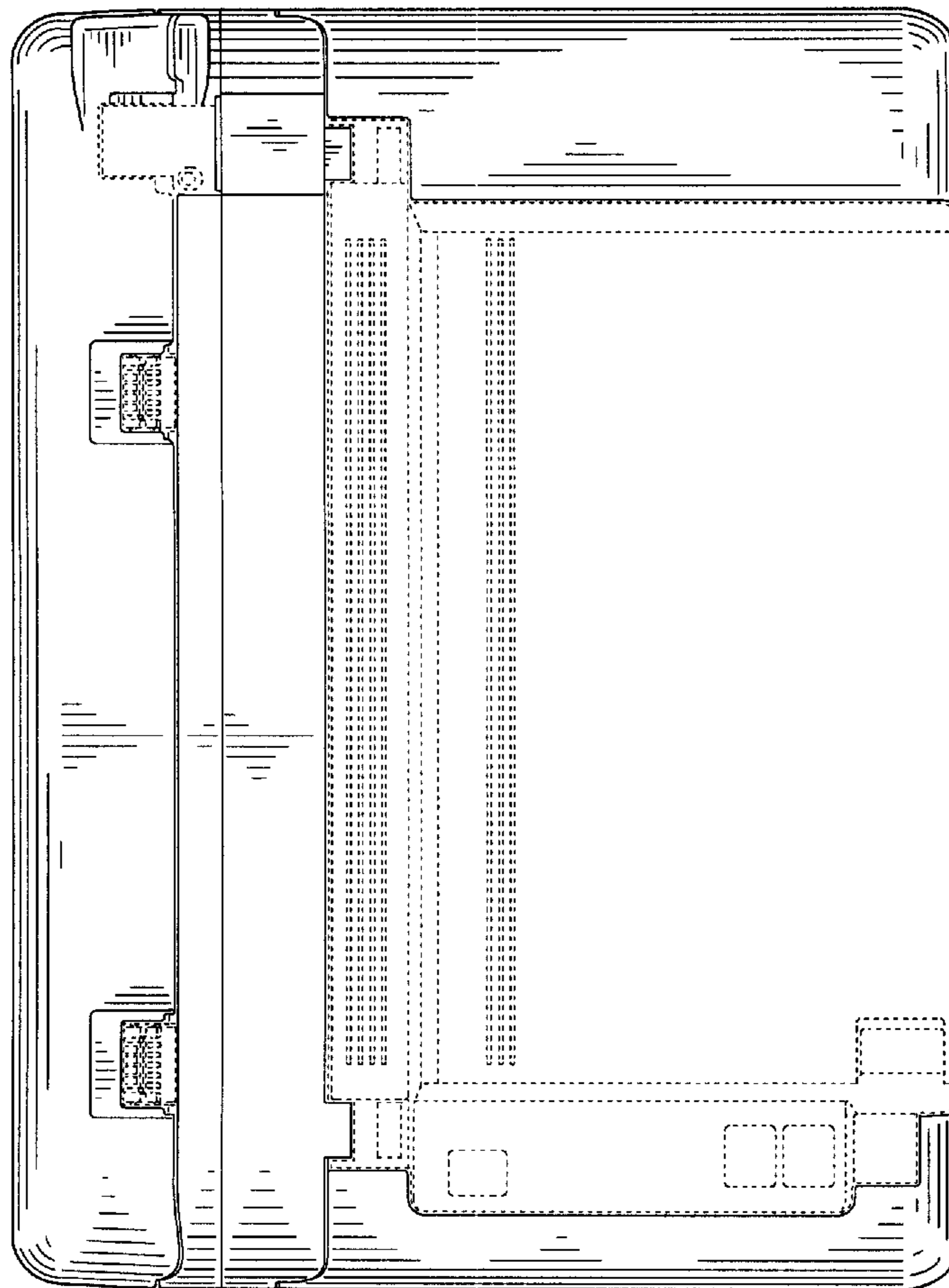


FIG. 6

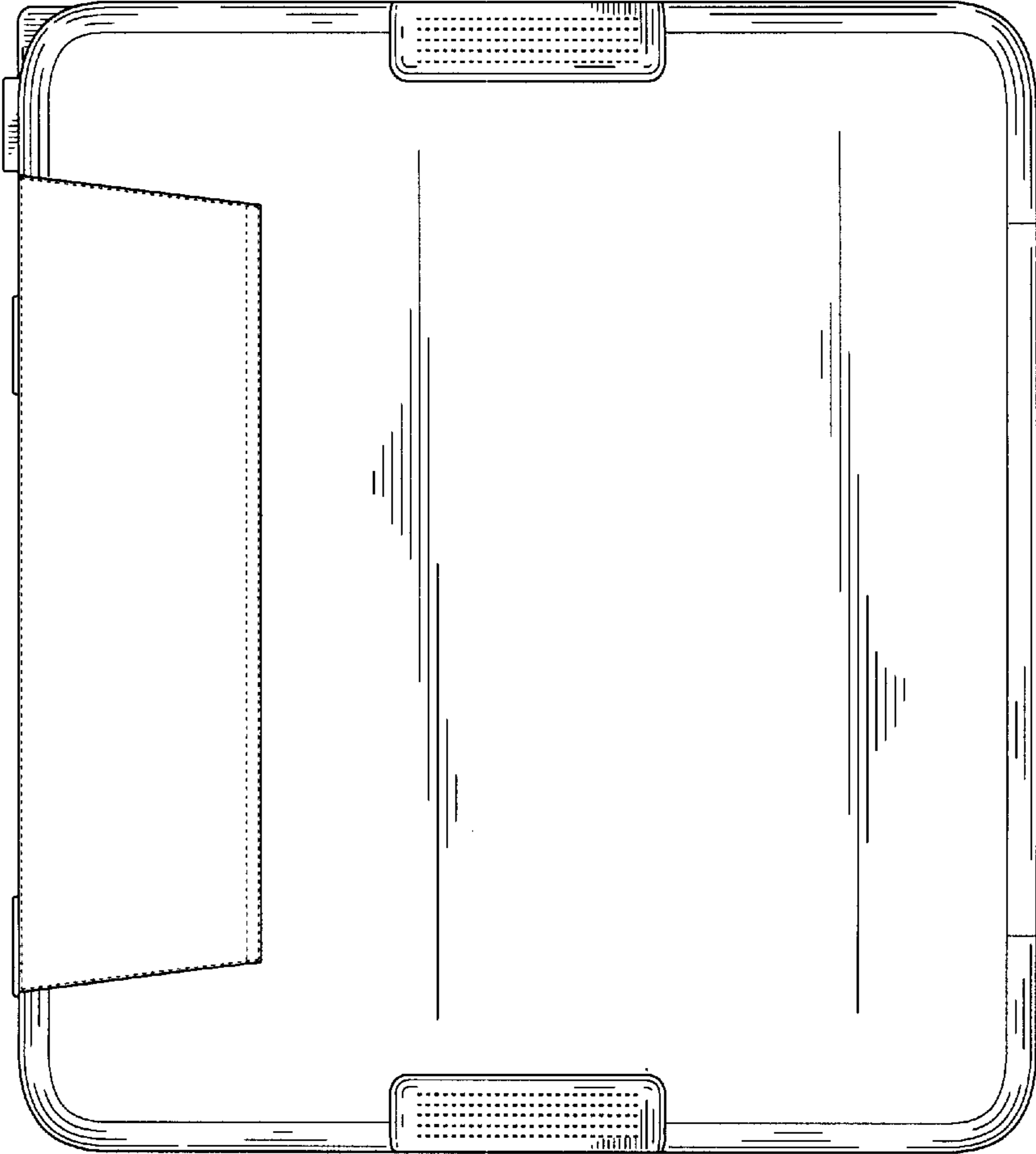


FIG. 7