



US00D694310S

(12) **United States Design Patent**
Cho et al.

(10) **Patent No.:** **US D694,310 S**
(45) **Date of Patent:** **** Nov. 26, 2013**

(54) **GLASSES WITH EARPHONES**

D603,379 S * 11/2009 Harbeke et al. D14/223
D618,669 S * 6/2010 Johnson et al. D14/223
D624,111 S * 9/2010 Knoop D16/300

(71) Applicant: **Samsung Electronics Co., Ltd.**,
Suwon-si (KR)

(Continued)

(72) Inventors: **Ju-Won Cho**, Seoul (KR); **Dan-Bi Kang**, Seoul (KR); **Tae-Hun Kim**, Seoul (KR)

Primary Examiner — Raphael Barkai
(74) *Attorney, Agent, or Firm* — NSIP Law

(73) Assignee: **Samsung Electronics Co., Ltd.**,
Suwon-si (KR)

(57) **CLAIM**
The ornamental design for glasses with earphones, as shown and described.

(**) Term: **14 Years**

DESCRIPTION

(21) Appl. No.: **29/451,136**

FIG. 1 is a front perspective view of glasses with earphones, showing an example environment;

(22) Filed: **Mar. 28, 2013**

FIG. 2 is a left-side view of the glasses with earphones of FIG. 1;

(30) **Foreign Application Priority Data**

Oct. 23, 2012 (KR) 30-2012-0050317

FIG. 3 is a right-side view of the glasses with earphones of FIG. 1;

(51) **LOC (9) Cl.** **16-06**

FIG. 4 is a top plan view of the glasses with earphones of FIG. 1;

(52) **U.S. Cl.**
USPC **D16/309**

FIG. 5 is a bottom plan view of the glasses with earphones of FIG. 1;

(58) **Field of Classification Search**
USPC D16/101, 300–342, 900; D29/109–110;
351/41, 44, 51–52, 62, 158, 92,
351/103–123, 140–153, 45–46; 2/426–432,
2/447–449, 441, 434–437, 13, 15;
D21/483, 659–661; D14/372

FIG. 6 is a front view of the left glasses with earphones;

See application file for complete search history.

FIG. 7 is a perspective view of the left glasses with earphones of FIG. 6;

(56) **References Cited**

U.S. PATENT DOCUMENTS

D381,346 S * 7/1997 Ronzani et al. D14/372
D545,345 S * 6/2007 Moritz et al. D16/309
D548,767 S * 8/2007 Jannard et al. D16/309
D553,173 S * 10/2007 Baden et al. D16/309
D582,957 S * 12/2008 Moritz D16/309
D602,064 S * 10/2009 Mitsui et al. D16/300

FIG. 8 is a second perspective view of the left glasses with earphones of FIG. 6;

FIG. 9 is a left-side view of the left glasses with earphones of FIG. 6;

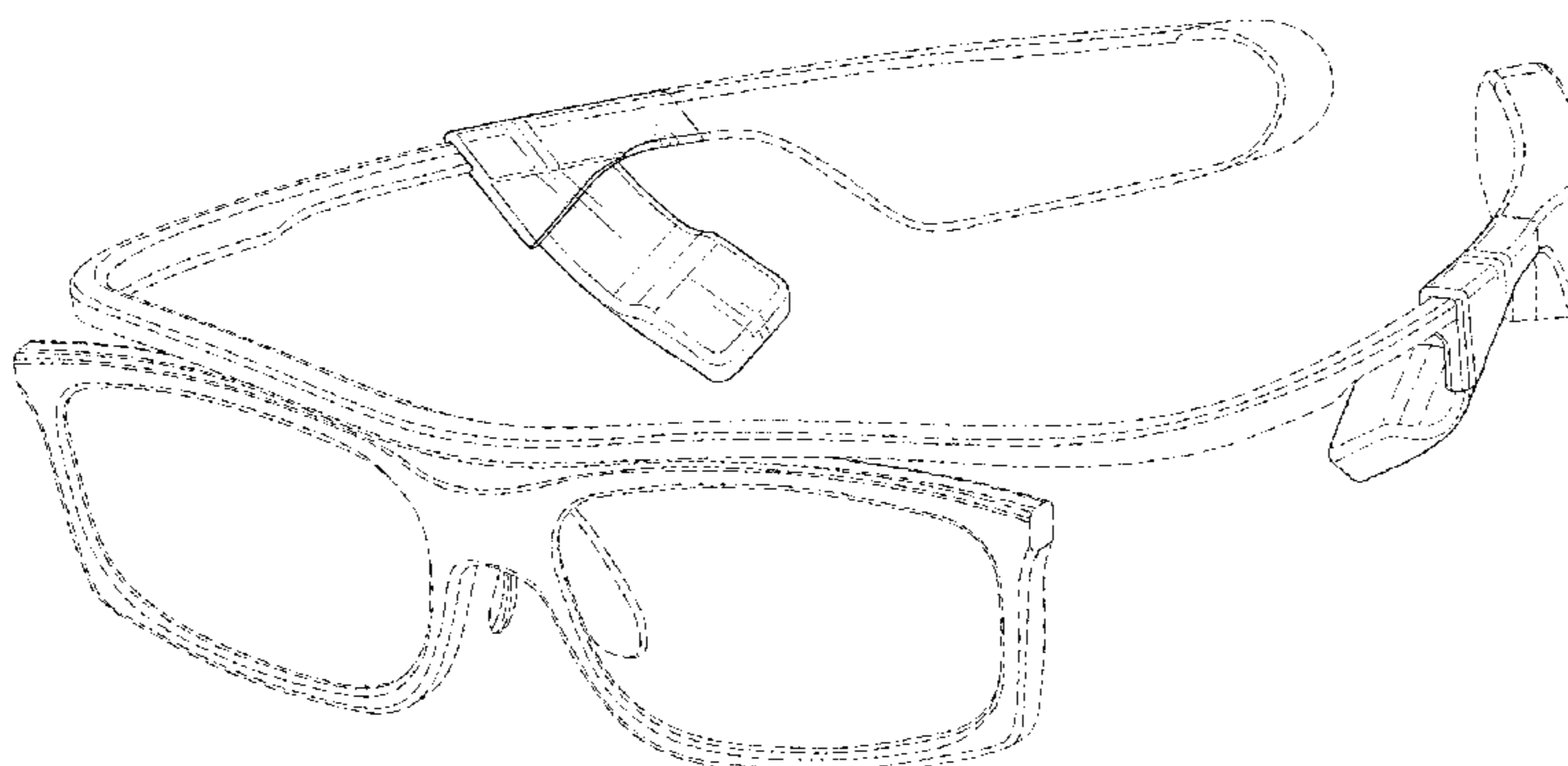
FIG. 10 is a right-side view of the left glasses with earphones of FIG. 6;

FIG. 11 is a top plan view of the left glasses with earphones of FIG. 6; and,

FIG. 12 is bottom plan view of the left glasses with earphones of FIG. 6.

The dash-dot-dot-dash broken line immediately adjacent the solid-line portions of the design represents an unclaimed boundary of the design. The remainder of features shown in broken lines in FIGS. 1, 2, 3, 4, and 5, form no part of the claimed design.

1 Claim, 8 Drawing Sheets



US D694,310 S

Page 2

(56)

References Cited

U.S. PATENT DOCUMENTS

D635,960 S * 4/2011 Gondo et al. D14/223
D638,462 S * 5/2011 Bumgardner et al. D16/309
D642,708 S * 8/2011 Kaule et al. D26/26

D647,123 S * 10/2011 Cho D16/309
D659,740 S * 5/2012 Olsson et al. D16/300
D664,587 S * 7/2012 Cho et al. D16/309
D668,632 S * 10/2012 Enquist D14/205
D677,710 S * 3/2013 Cho D16/309

* cited by examiner

FIG. 1

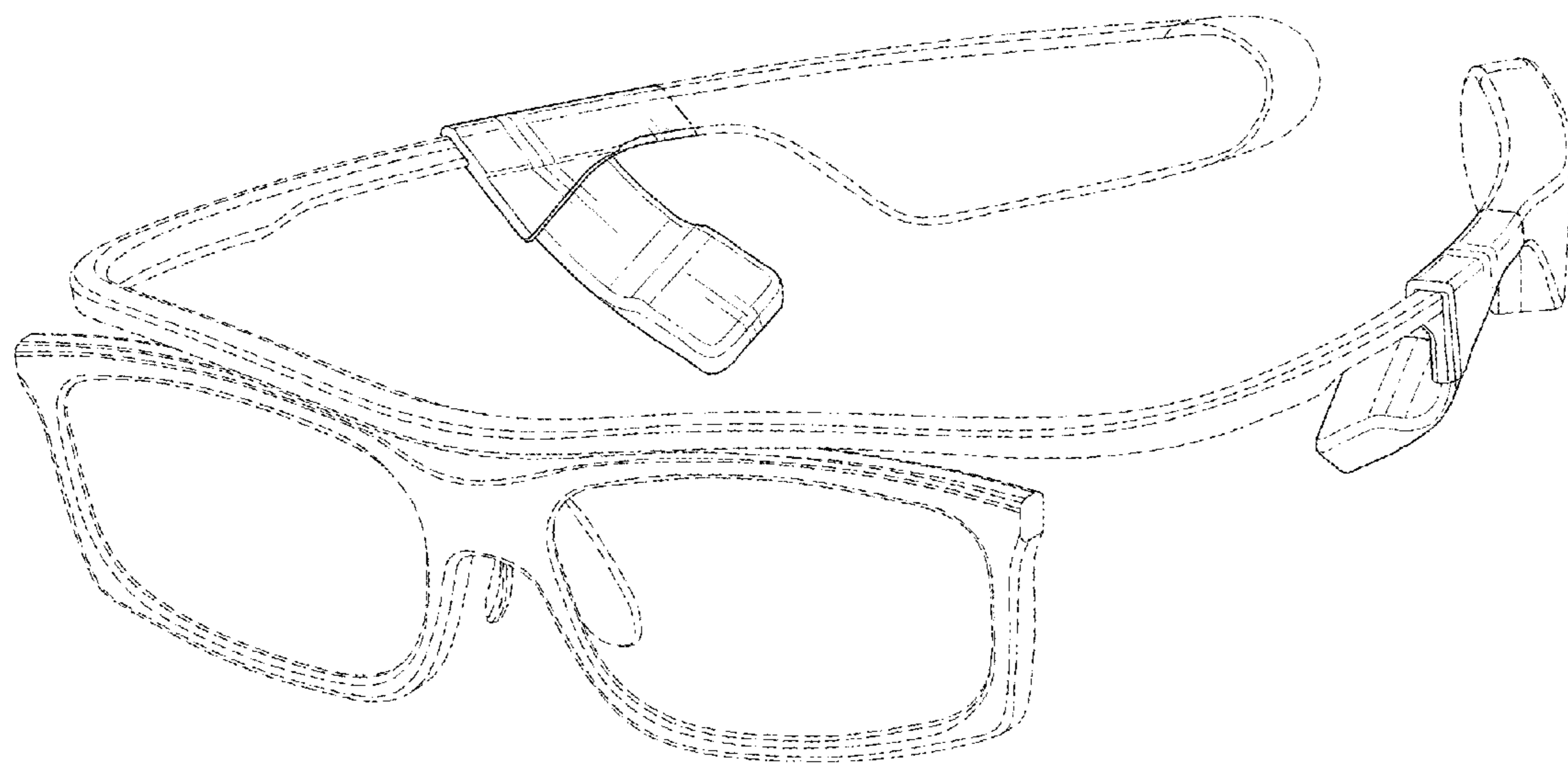


FIG. 2

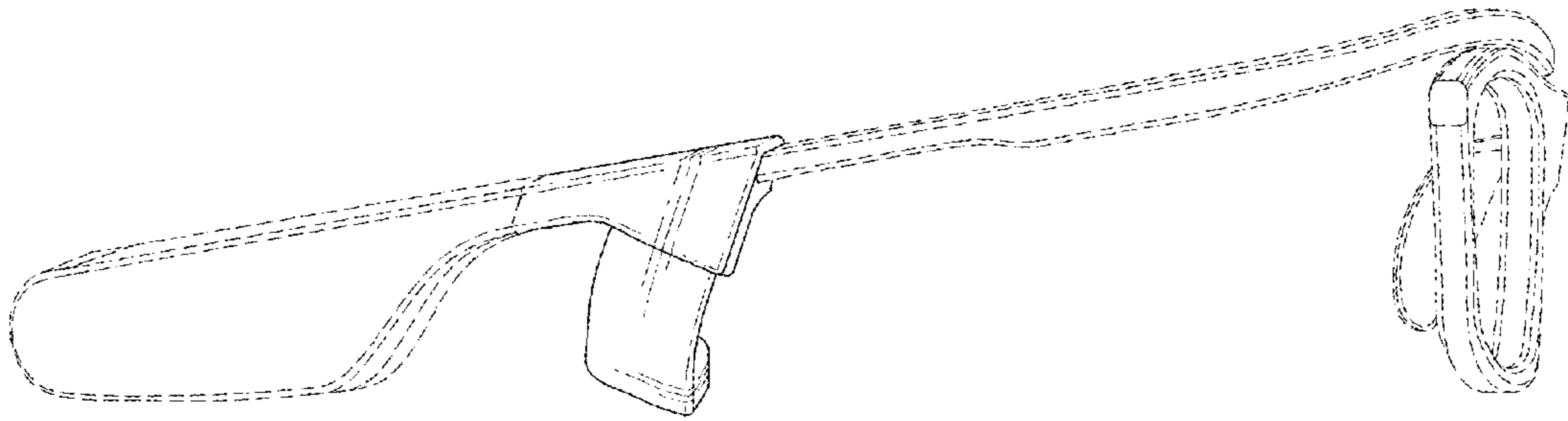


FIG. 3

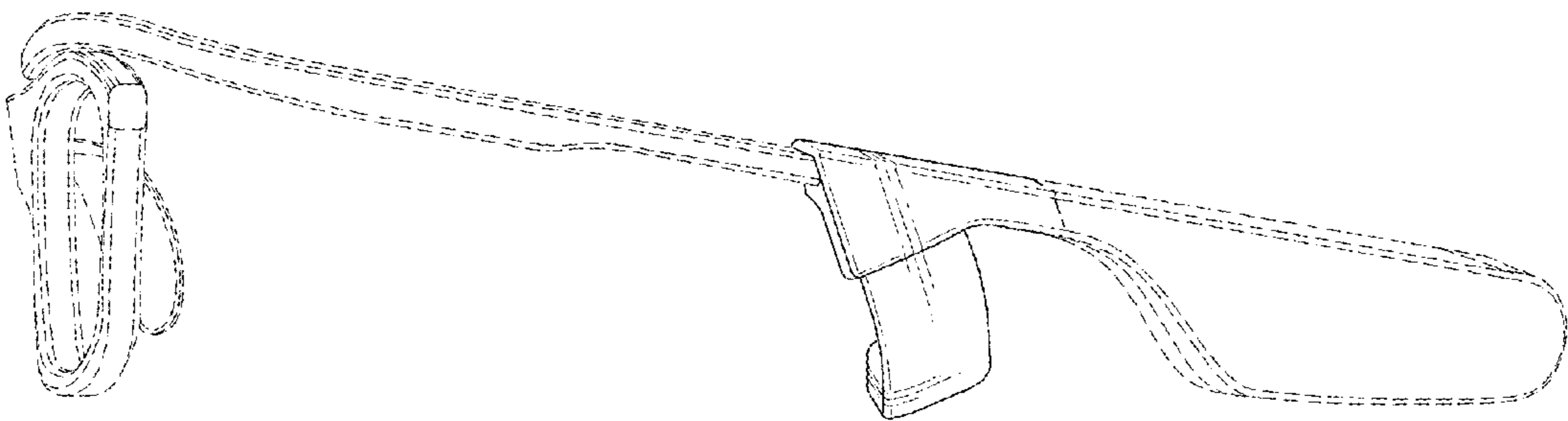


FIG. 4

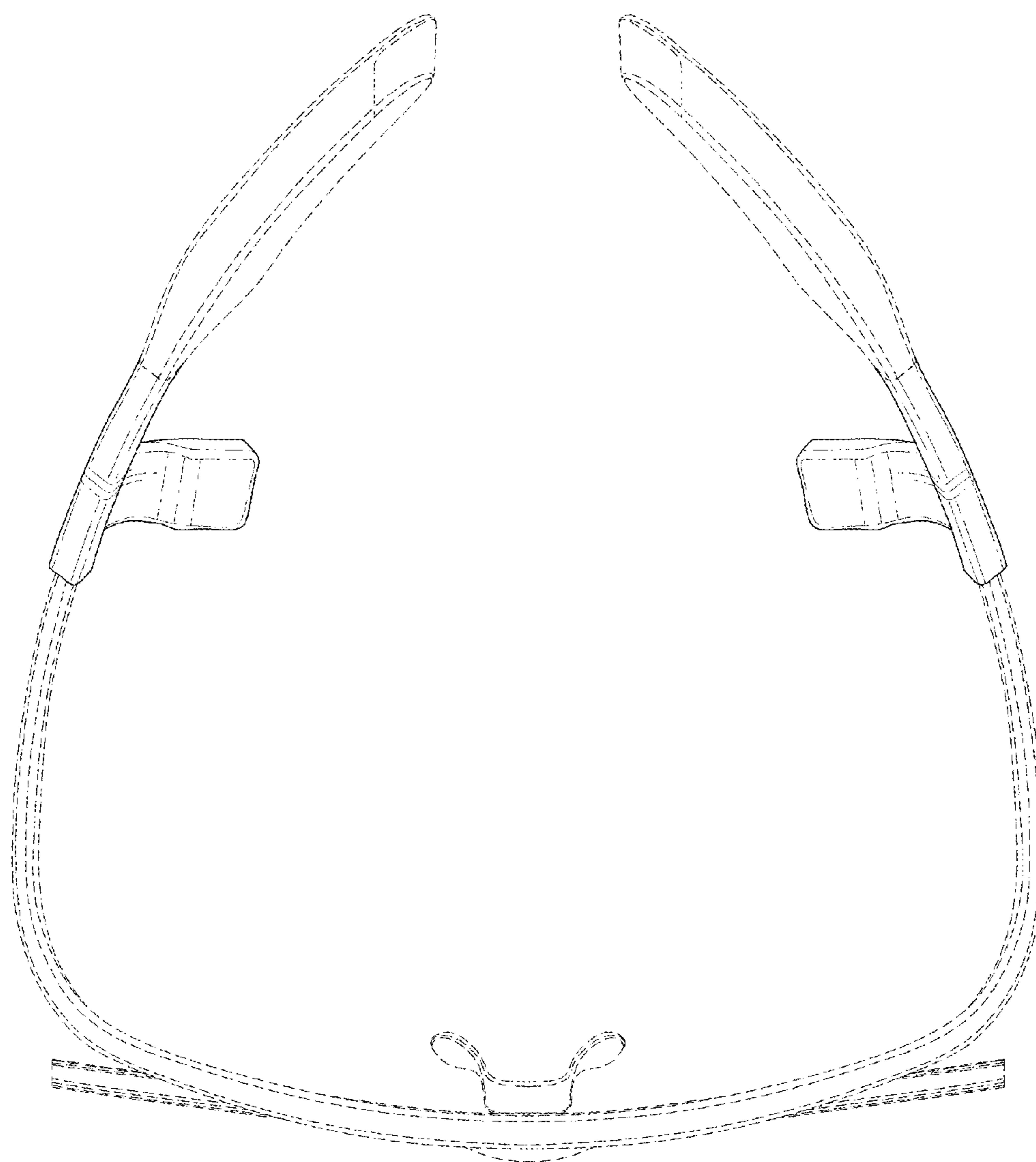


FIG. 5

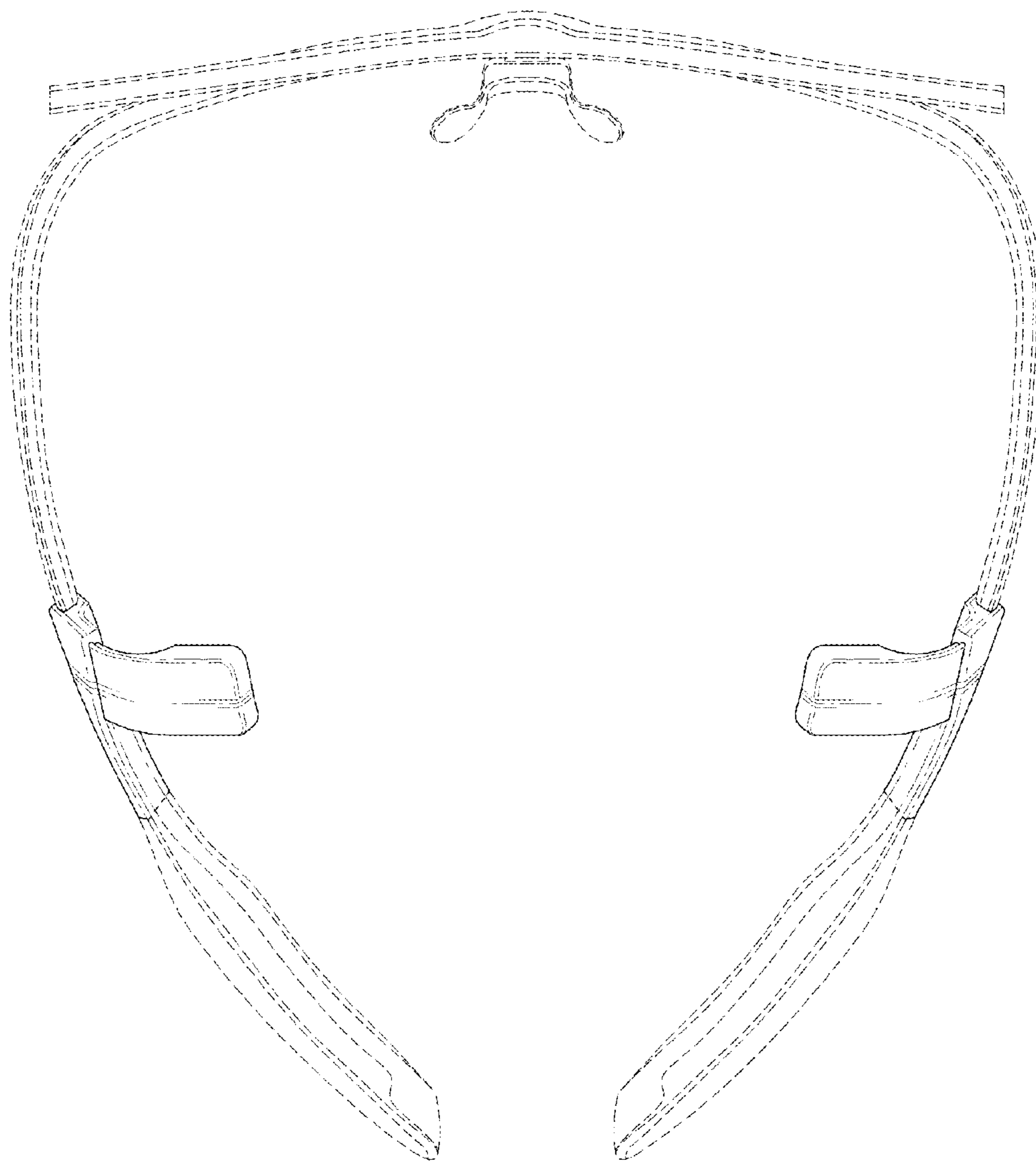


FIG. 6

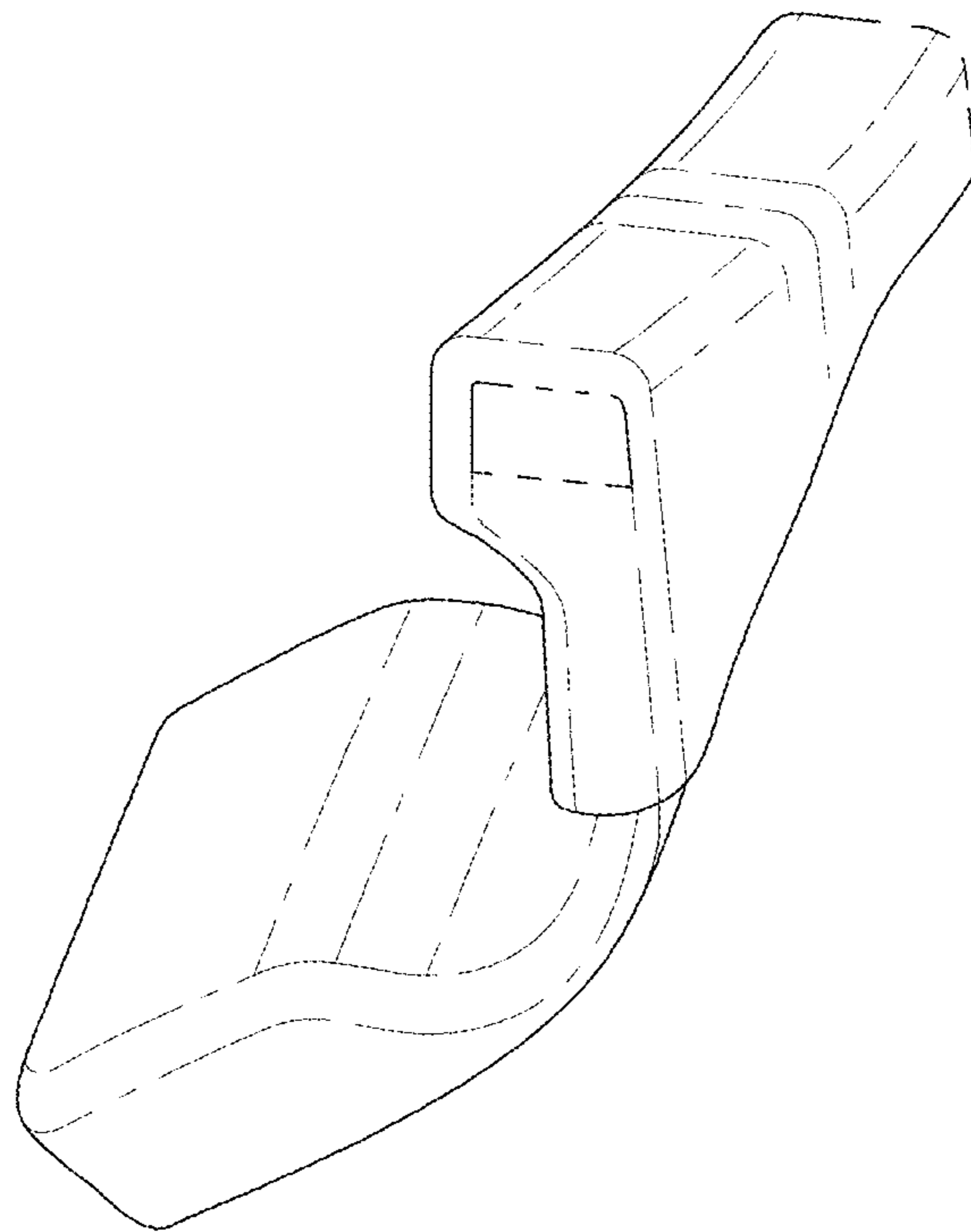


FIG. 7

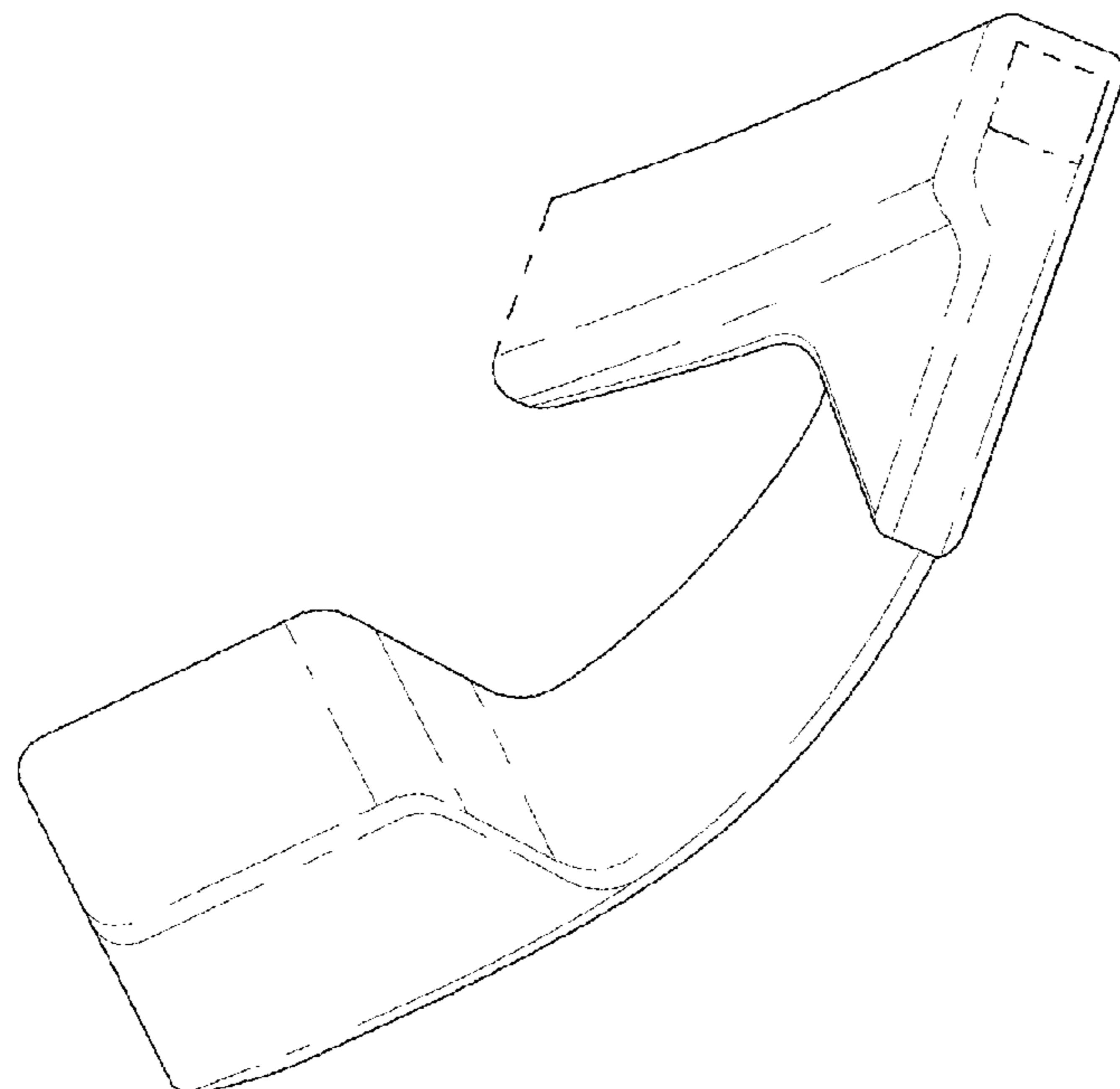


FIG. 8

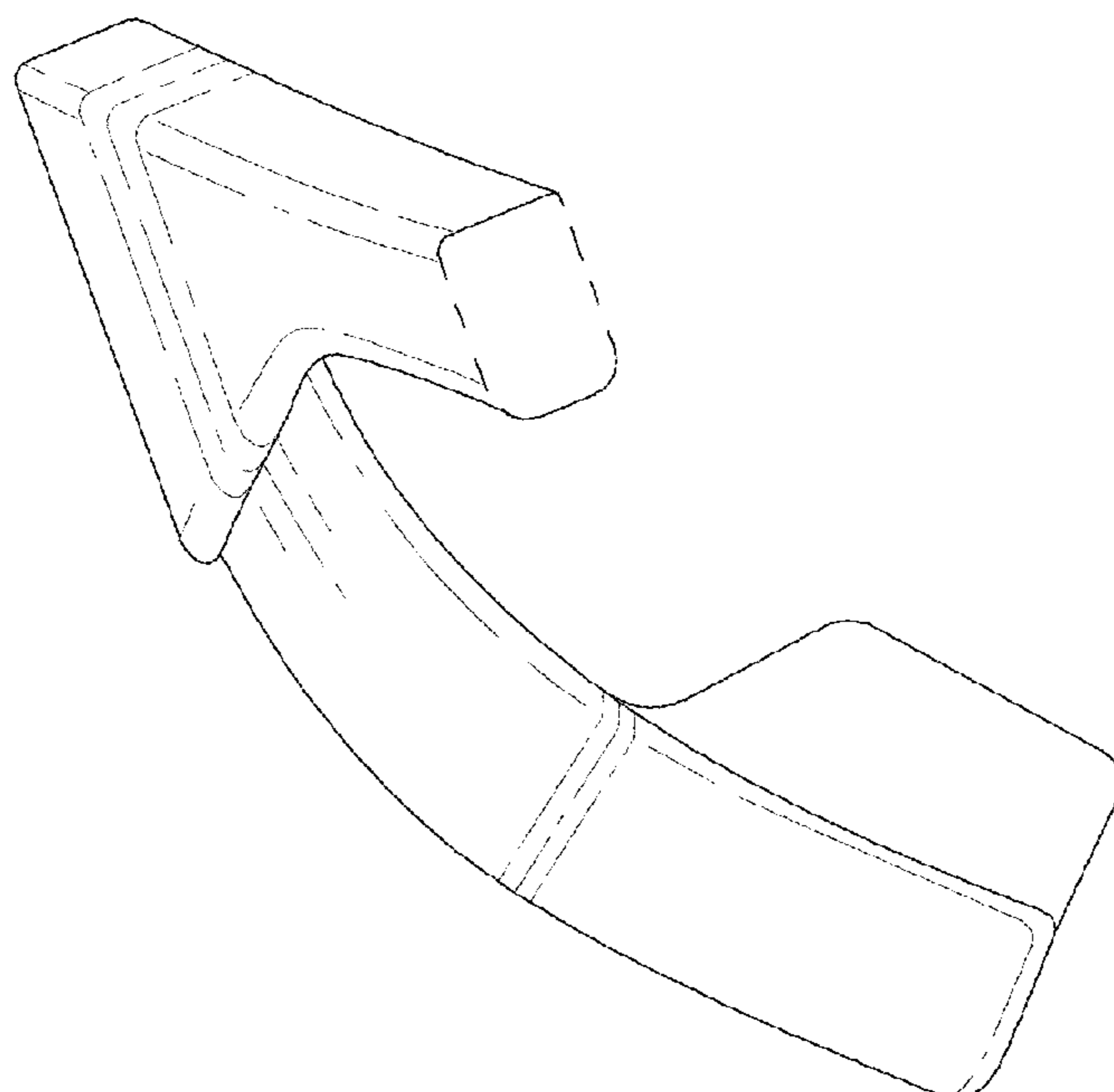


FIG. 9

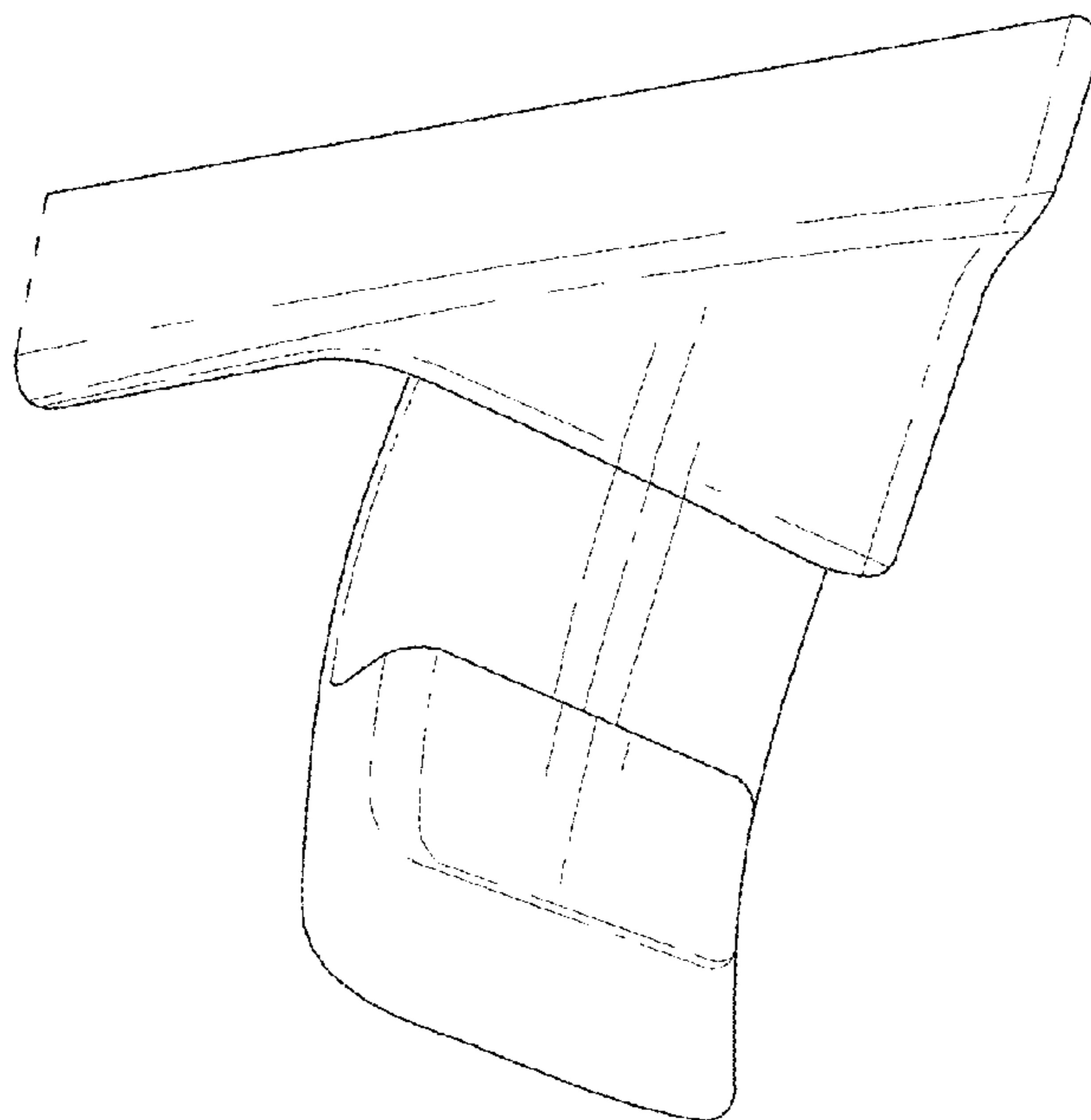


FIG. 10

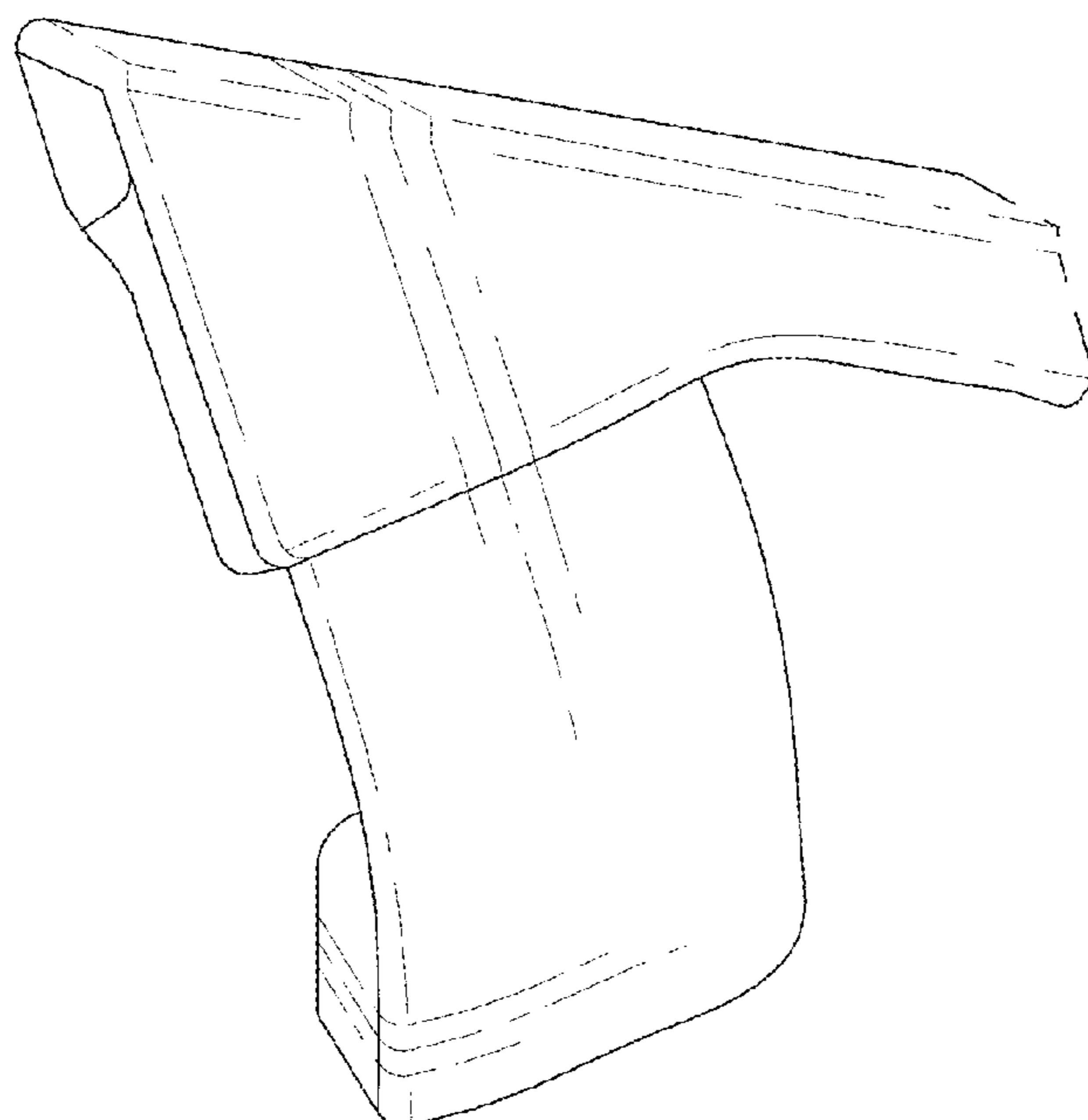


FIG. 11

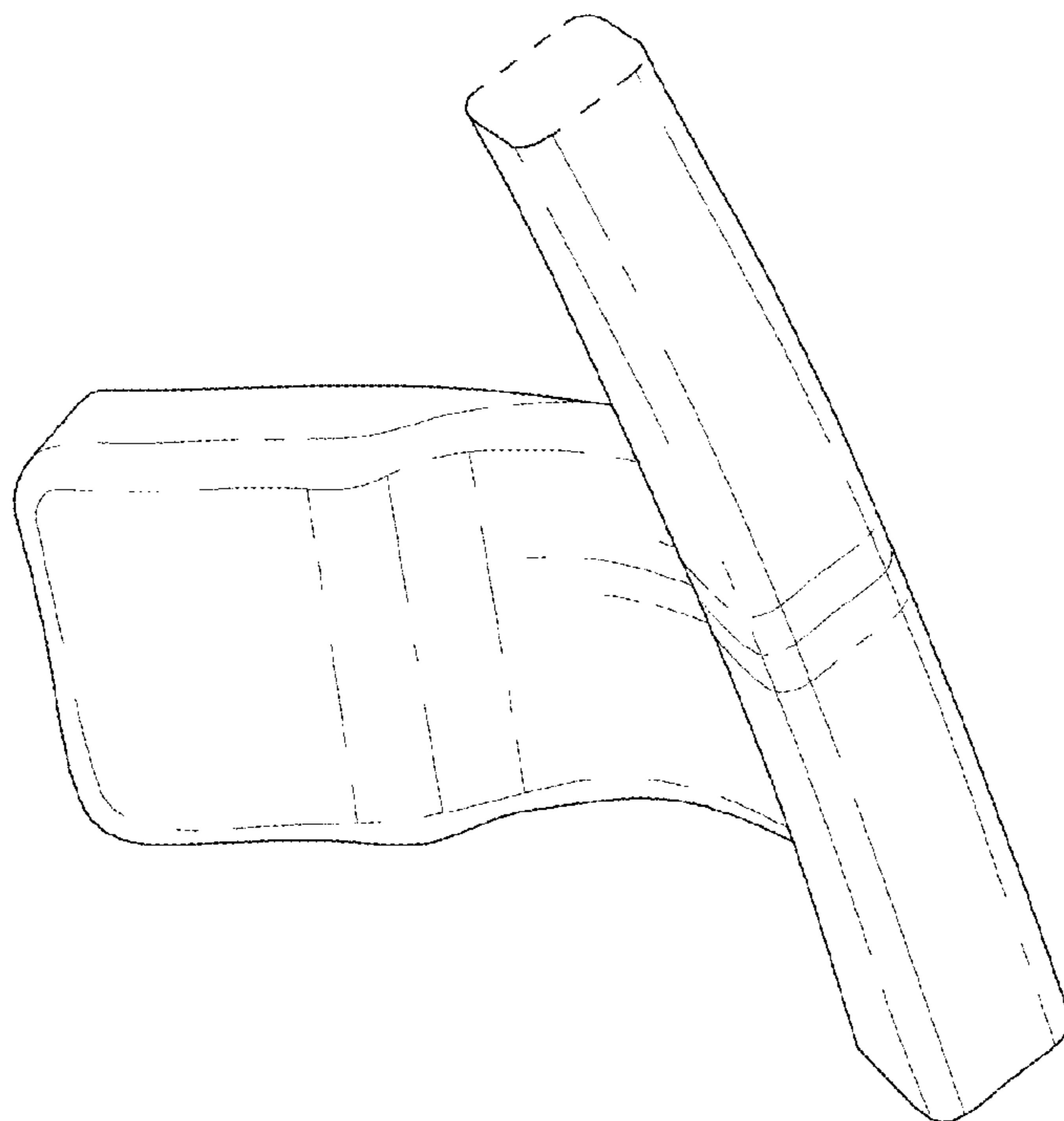


FIG. 12

