



US00D694307S

(12) **United States Design Patent**
Isozaki

(10) **Patent No.:** **US D694,307 S**

(45) **Date of Patent:** **** Nov. 26, 2013**

(54) **LENS FOR TELEVISION CAMERA**

(75) Inventor: **Makoto Isozaki**, Tokyo (JP)

(73) Assignee: **FUJIFILM Corporation**, Tokyo (JP)

(**) Term: **14 Years**

(21) Appl. No.: **29/429,984**

(22) Filed: **Aug. 20, 2012**

(30) **Foreign Application Priority Data**

Feb. 21, 2012 (JP) 2012-003504

(51) **LOC (9) Cl.** **16-05**

(52) **U.S. Cl.**
USPC **D16/219; D16/203**

(58) **Field of Classification Search**
USPC D16/200, 202, 203, 205, 218, 219;
348/143, 373-376; 396/427, 535-541
See application file for complete search history.

(56) **References Cited**

U.S. PATENT DOCUMENTS

D470,520 S * 2/2003 Yamakawa et al. D16/203
D489,744 S * 5/2004 Muto D16/203
D522,035 S * 5/2006 Muto D16/203
7,221,402 B2 * 5/2007 Cheng 348/375

D563,450 S * 3/2008 Cheng D16/200
D612,408 S * 3/2010 Yamakawa D16/203
D613,784 S * 4/2010 Wang et al. D16/203
7,859,592 B2 * 12/2010 Takahashi et al. 348/373
D633,543 S * 3/2011 Park D16/203
D668,282 S * 10/2012 Ohno et al. D16/203

* cited by examiner

Primary Examiner — Adir Aronovich

(74) *Attorney, Agent, or Firm* — Sughrue Mion, PLLC

(57) **CLAIM**

The ornamental design for a lens for television camera, as shown and described.

DESCRIPTION

FIG. 1 is a top, front and right side prospective view of a lens for television camera showing my new design;
FIG. 2 is a front elevational view thereof;
FIG. 3 is a rear elevational view thereof;
FIG. 4 is a top plan view thereof;
FIG. 5 is a bottom plan view thereof;
FIG. 6 is a left side elevational view thereof;
FIG. 7 is a right side elevational view thereof; and,
FIG. 8 is a top, front and right side prospective view thereof in a manner of use.

The broken line portions in FIG. 8 are shown to illustrate environment only and form no part of the claimed design.

1 Claim, 7 Drawing Sheets

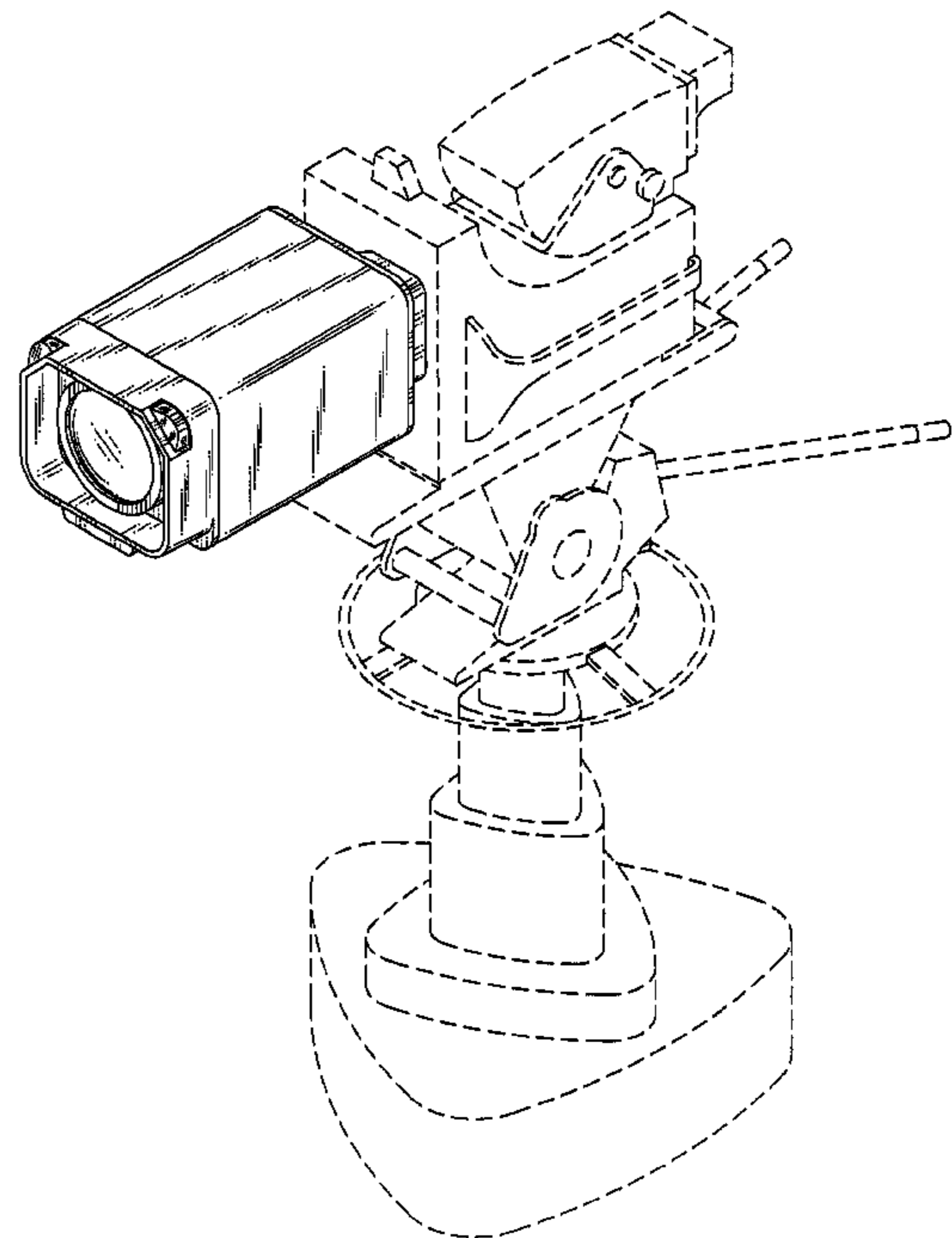
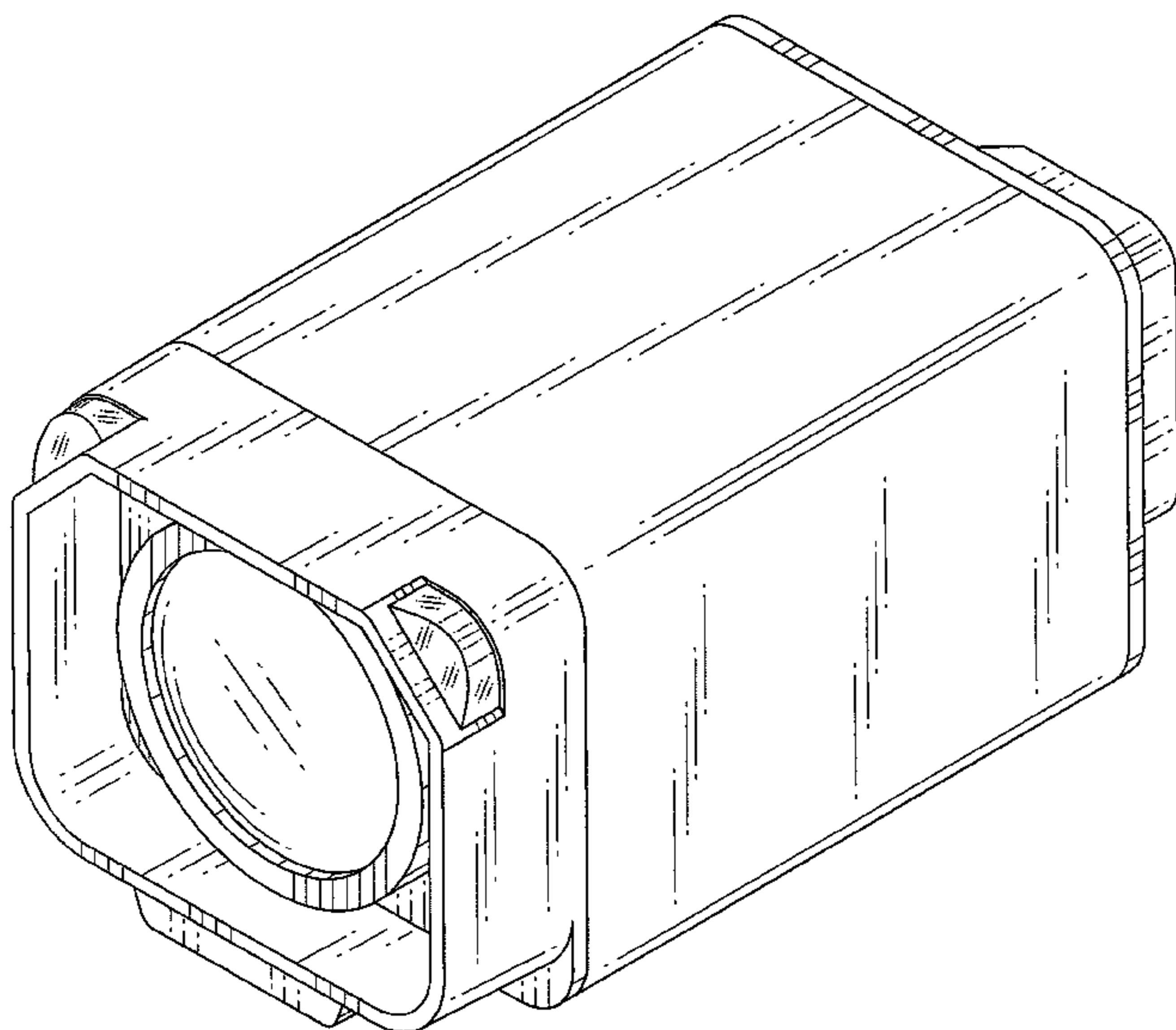


FIG. 1

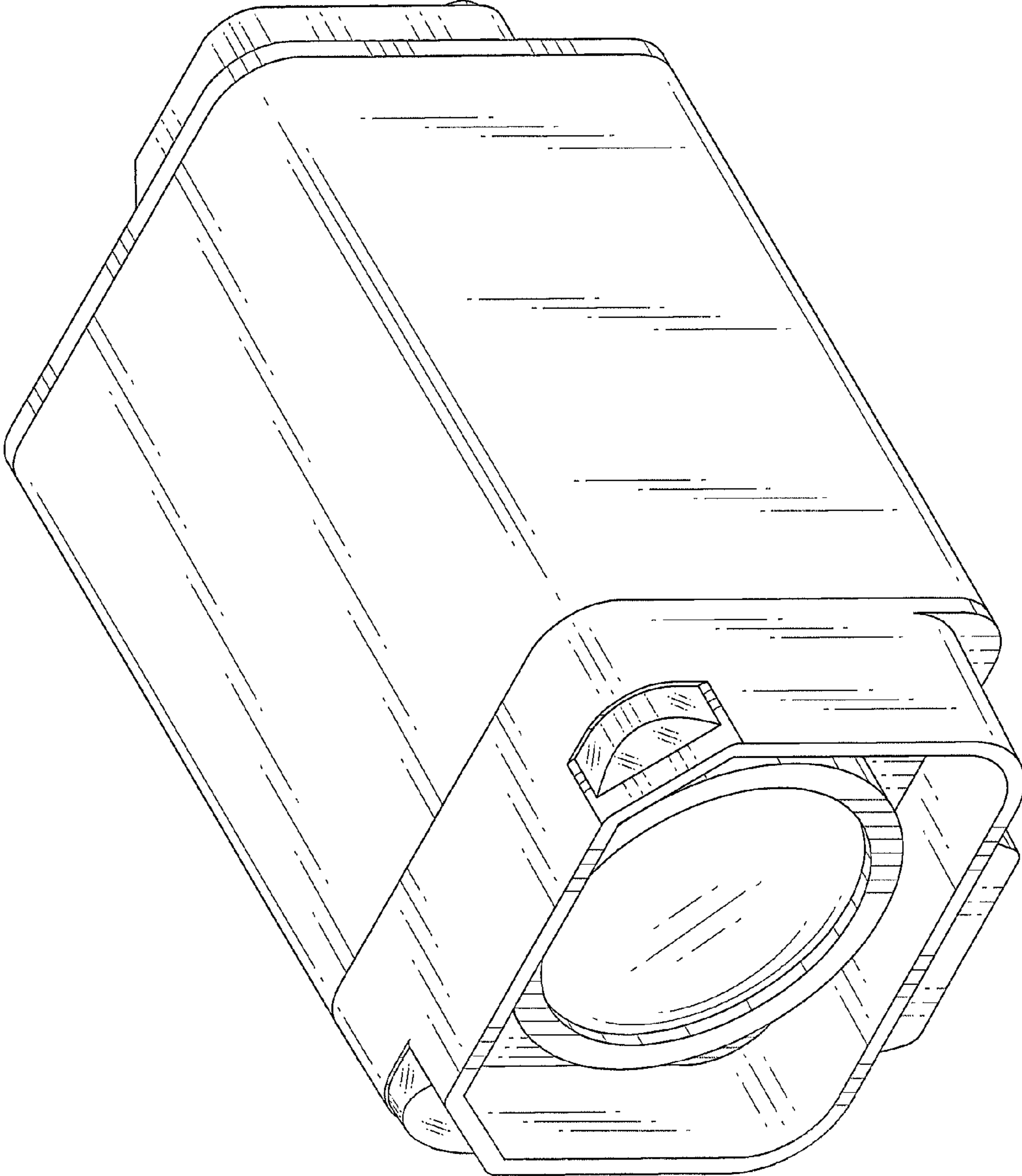


FIG. 2

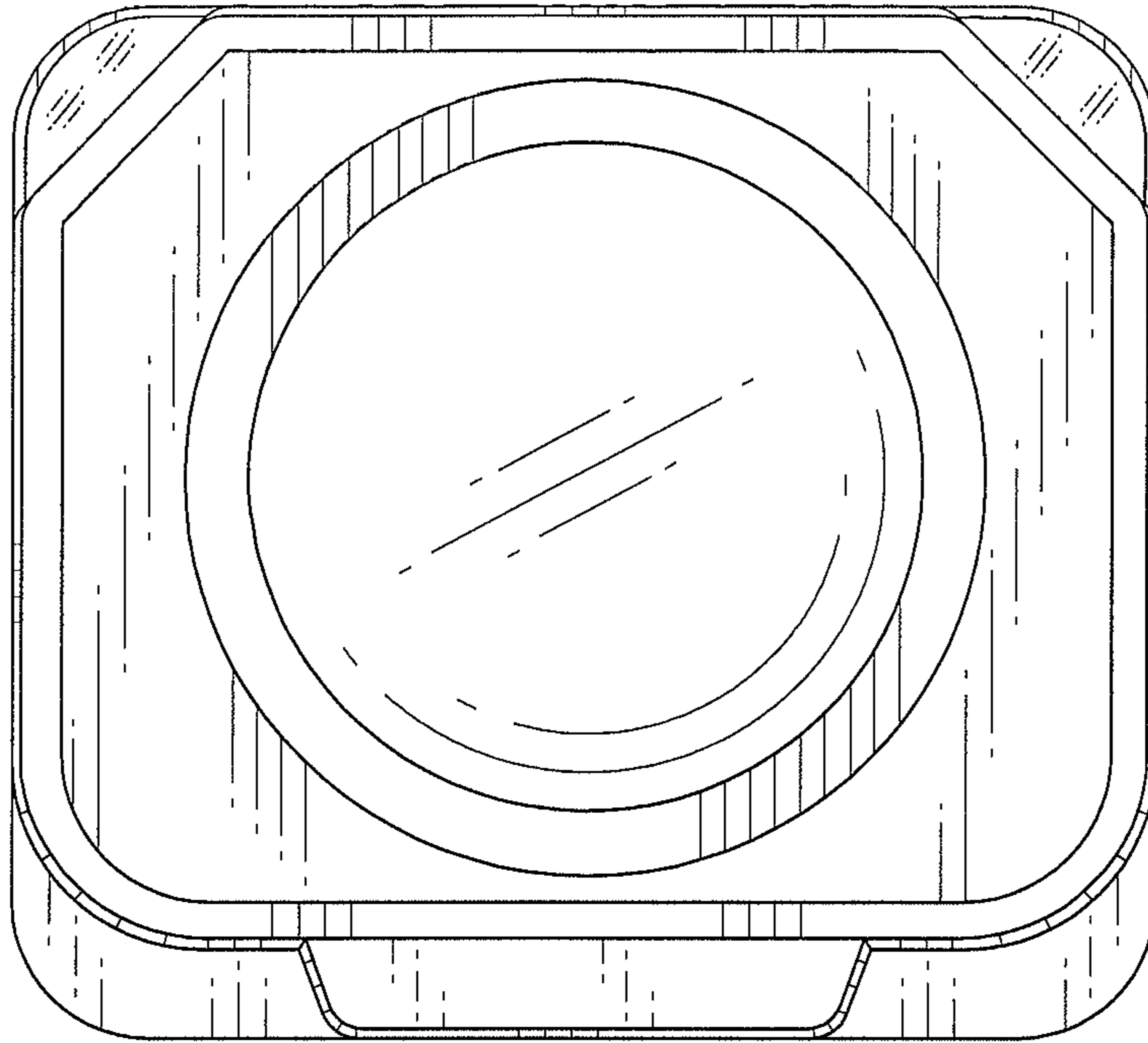


FIG. 3

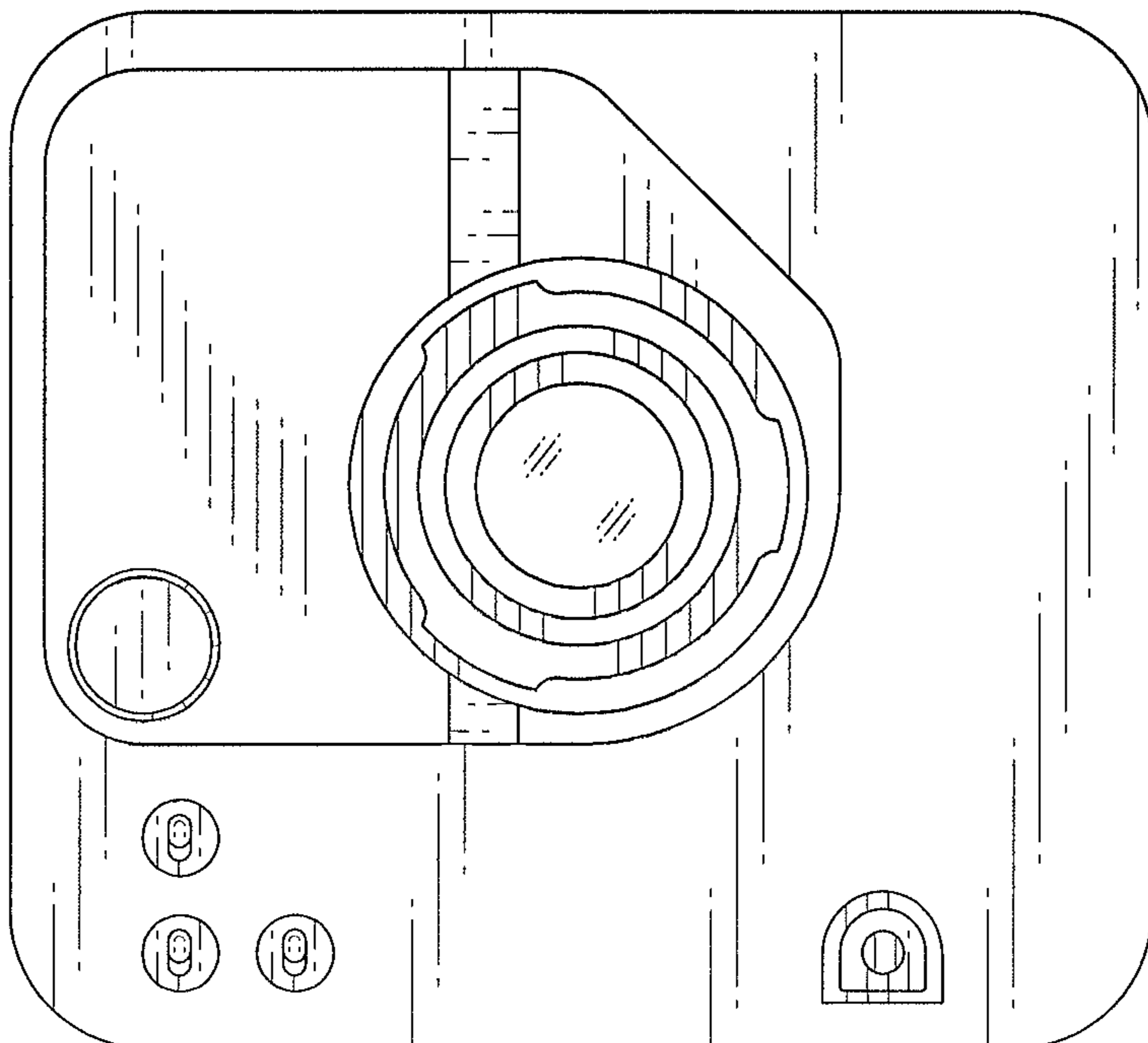


FIG. 4

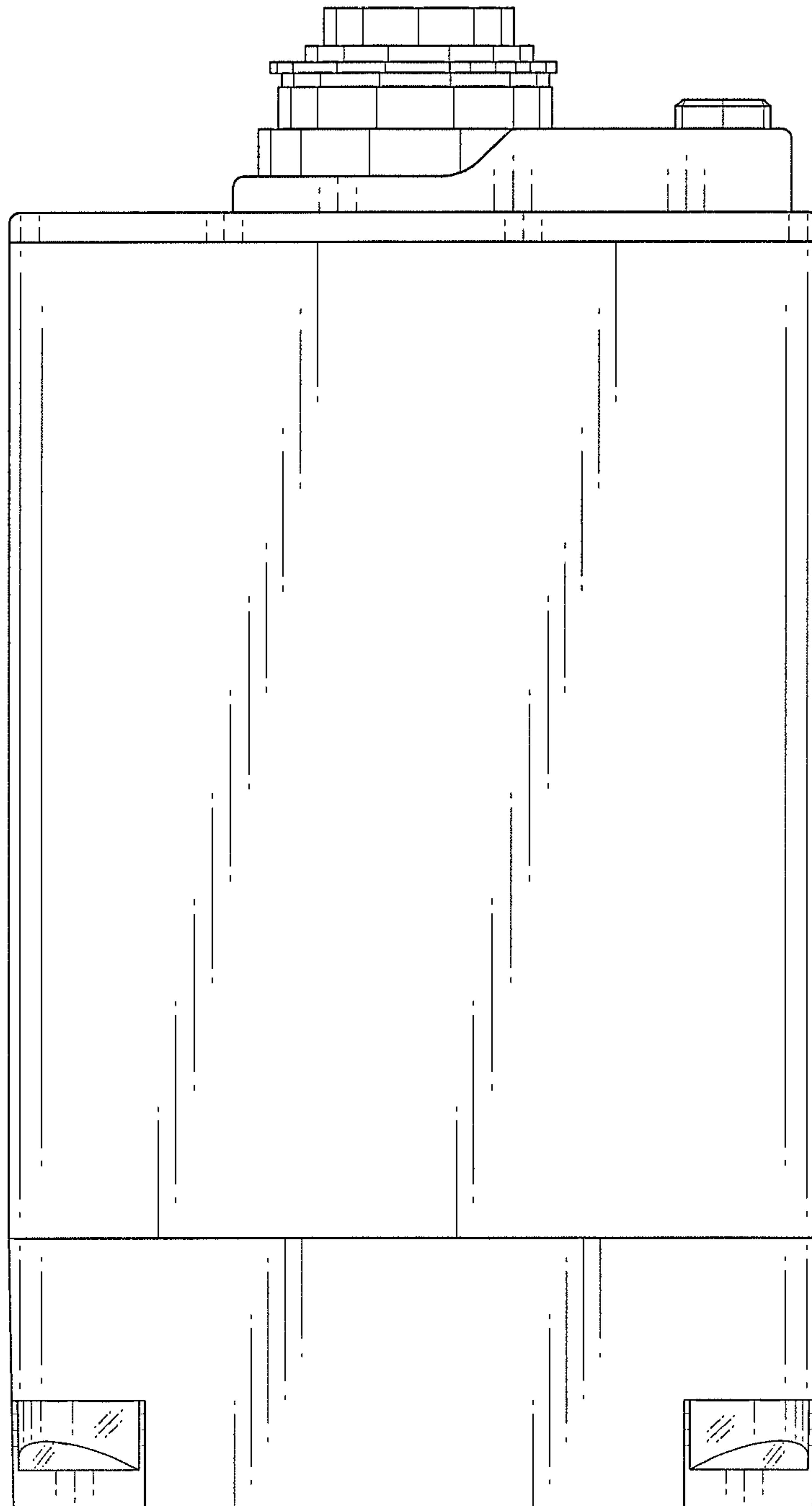


FIG. 5

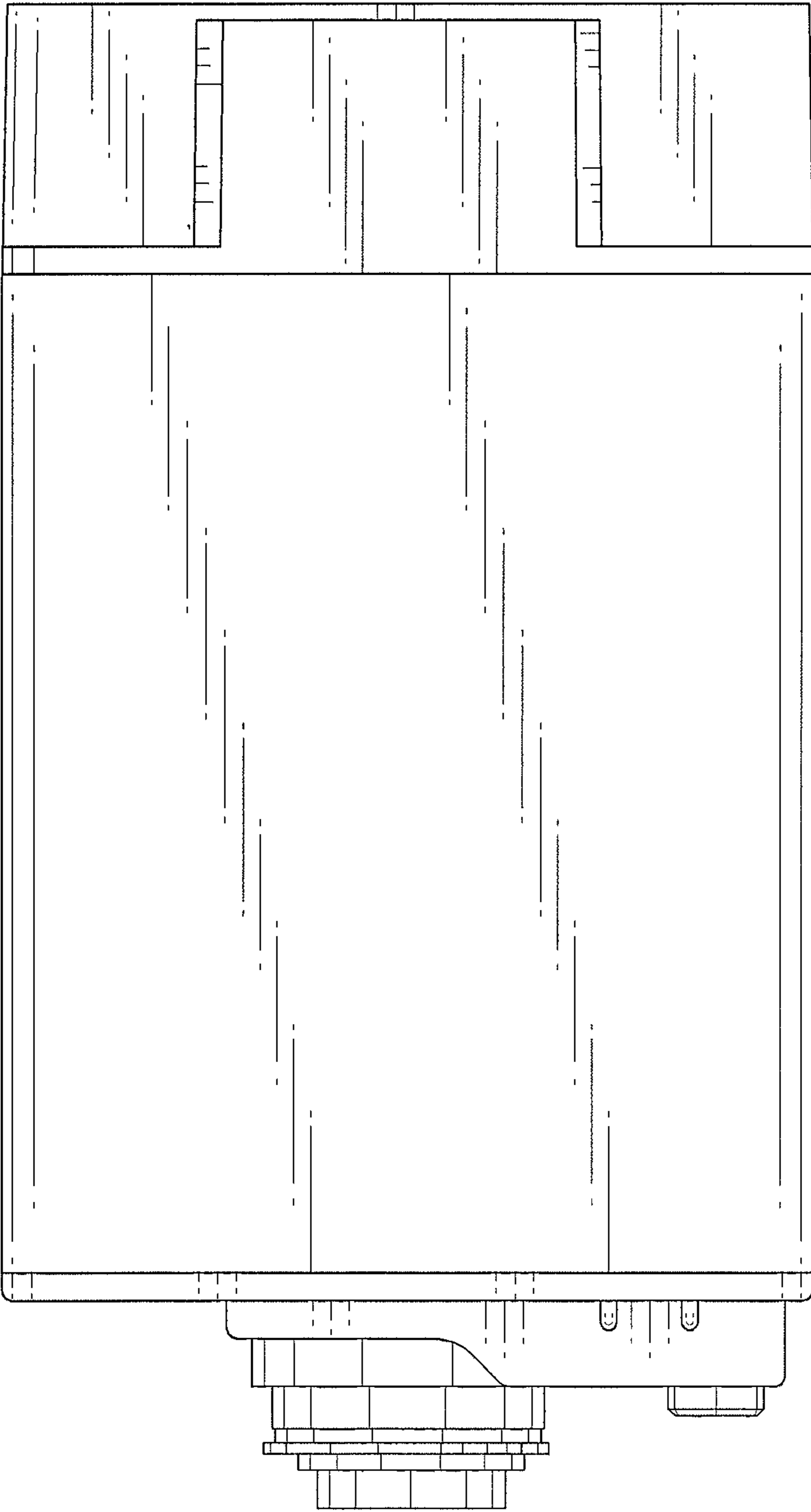


FIG. 6

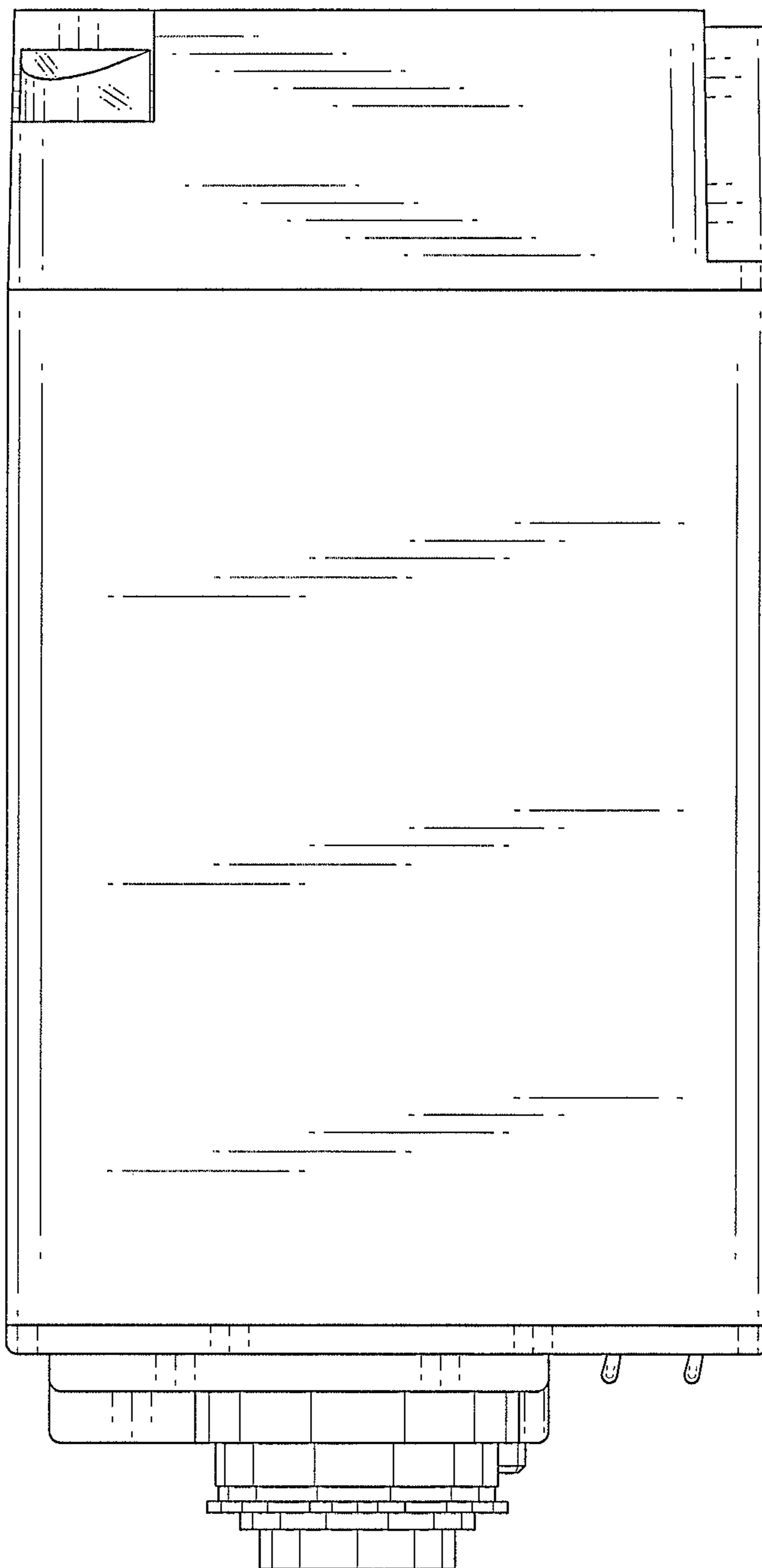


FIG. 7

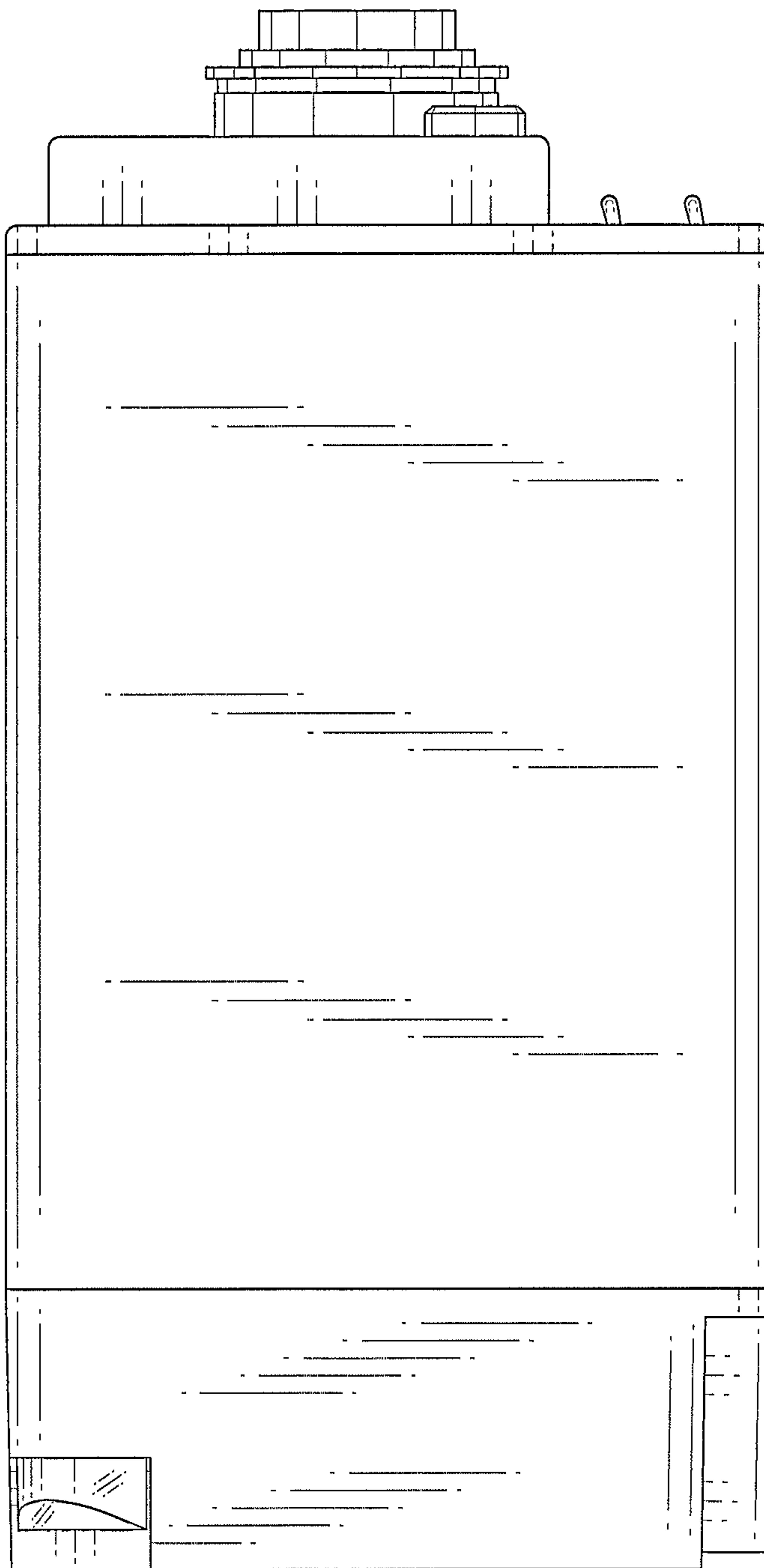


FIG. 8

