

US00D694306S

(12) **United States Design Patent**
Katori et al.

(10) **Patent No.:** **US D694,306 S**
(45) **Date of Patent:** **** Nov. 26, 2013**

(54) **SURVEILLANCE CAMERA**
(75) Inventors: **Takehito Katori**, Fukuoka (JP); **Yasuki Yamakawa**, Fukuoka (JP)
(73) Assignee: **Panasonic Corporation**, Osaka (JP)

7,324,154 B2 * 1/2008 Cheng 348/373
D581,961 S * 12/2008 Shioya D16/203
D639,842 S 6/2011 Zeinoun et al.
D657,410 S 4/2012 Helaoui et al.
8,325,231 B2 * 12/2012 Oomori 348/143
2012/0106943 A1 * 5/2012 Mukai 396/427

* cited by examiner

(**) Term: **14 Years**
(21) Appl. No.: **29/427,793**
(22) Filed: **Jul. 23, 2012**

Primary Examiner — Adir Aronovich
(74) *Attorney, Agent, or Firm* — Panasonic Patent Center

(30) **Foreign Application Priority Data**

Apr. 16, 2012 (JP) 2012-008860

(51) **LOC (9) Cl.** **16-01**
(52) **U.S. Cl.**
USPC **D16/203**; D16/219
(58) **Field of Classification Search**
USPC D16/200, 202, 203, 218, 219; 348/143,
348/151, 373–376; 396/427, 535–541
See application file for complete search history.

(57) **CLAIM**
We claim the ornamental design for a surveillance camera, as shown and described.

DESCRIPTION

FIG. 1 is a perspective view of a surveillance camera of the present invention;
FIG. 2 is a front elevational view thereof;
FIG. 3 is a top plan view thereof;
FIG. 4 is a side view thereof;
FIG. 5 is a side view thereof, opposite of that shown in FIG. 4;
FIG. 6 is a bottom plan view thereof; and,
FIG. 7 is a rear elevational view thereof.
The broken line showing of surveillance camera is included for the purpose of illustrating environment and forms no part of the claimed design. Additionally, the unevenly (dash-dot) broken lines in the drawings which define the bounds of the claimed design form no part thereof.

(56) **References Cited**

U.S. PATENT DOCUMENTS

D225,379 S * 12/1972 Gallagher D10/106.5
D416,273 S 11/1999 Yamakawa et al.
D426,250 S * 6/2000 Lefkowitz D16/203
D452,696 S 1/2002 Fenton
D499,125 S * 11/2004 Adachi et al. D16/203

1 Claim, 7 Drawing Sheets

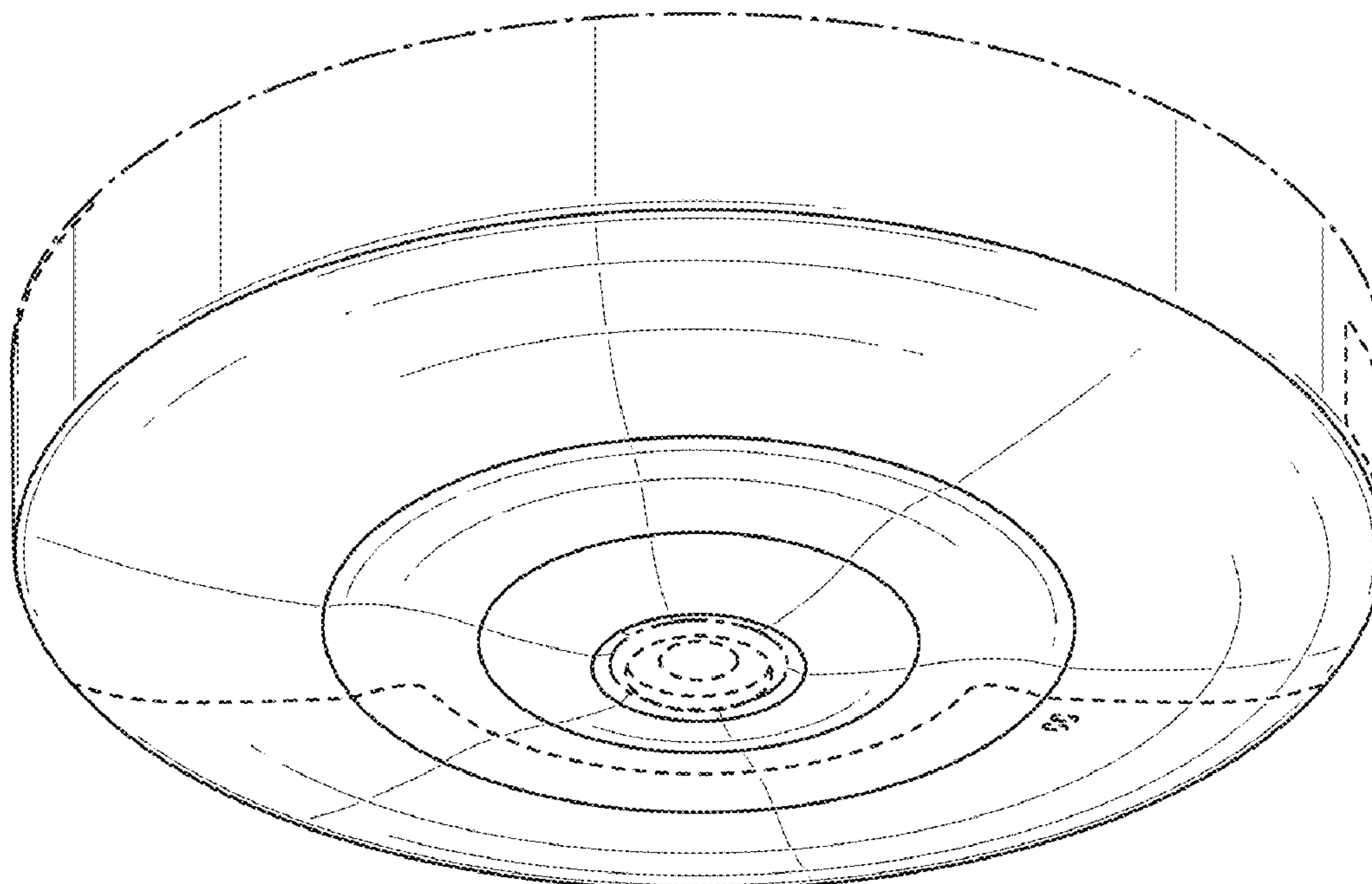


FIG. 1

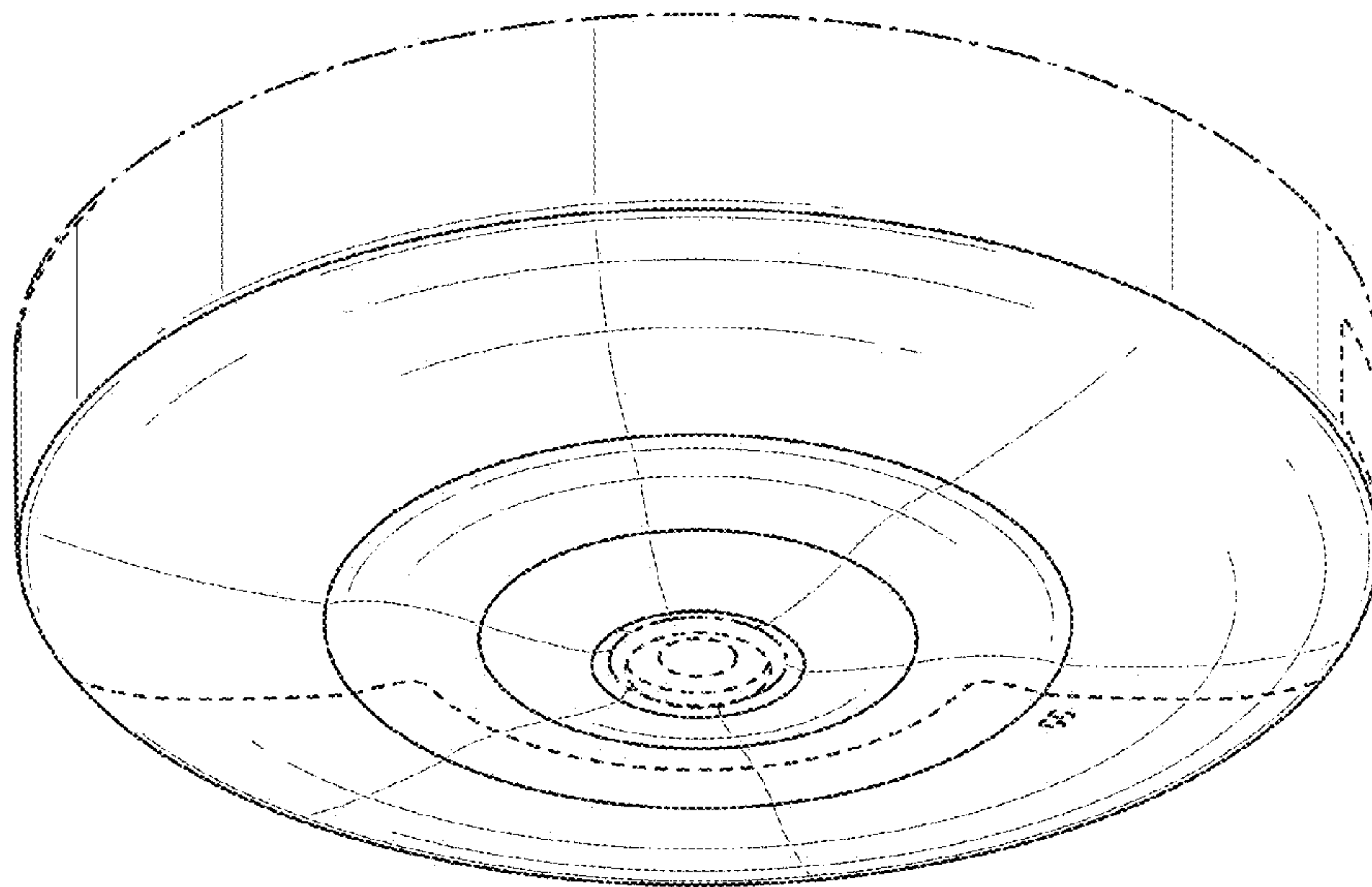


FIG. 2

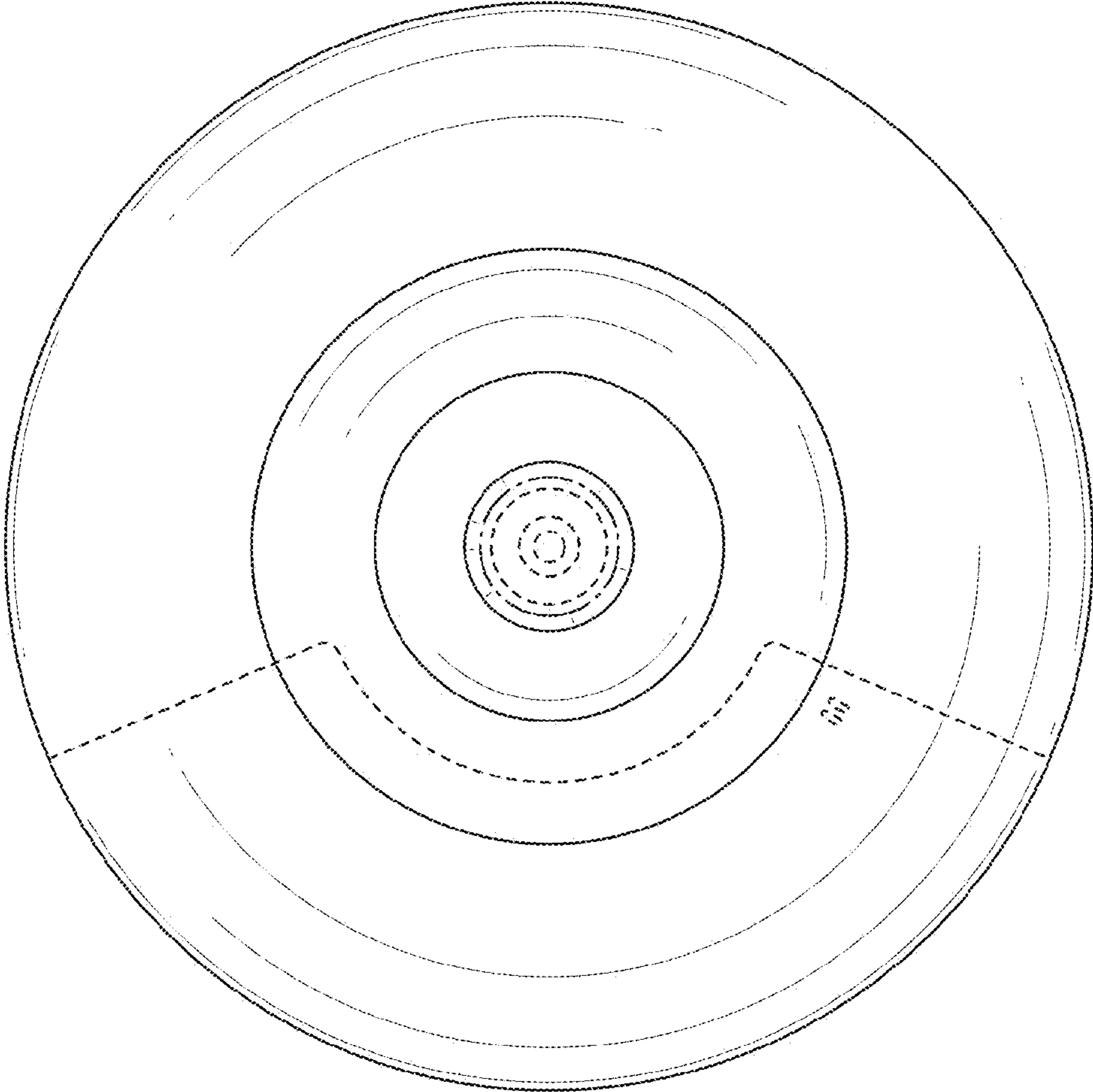


FIG. 3

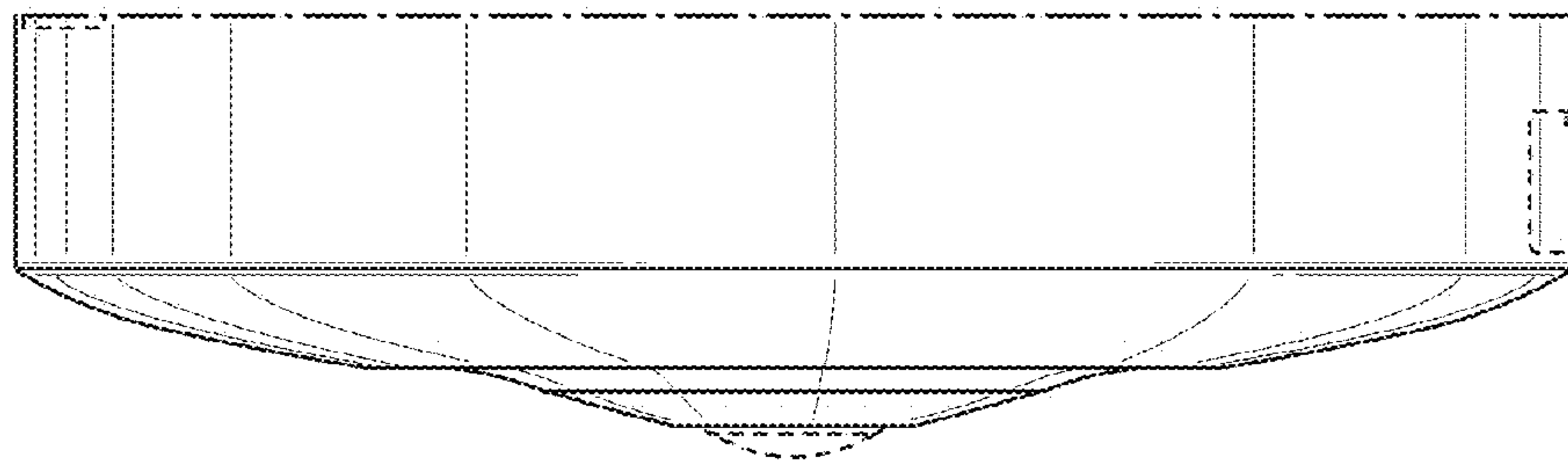


FIG. 4

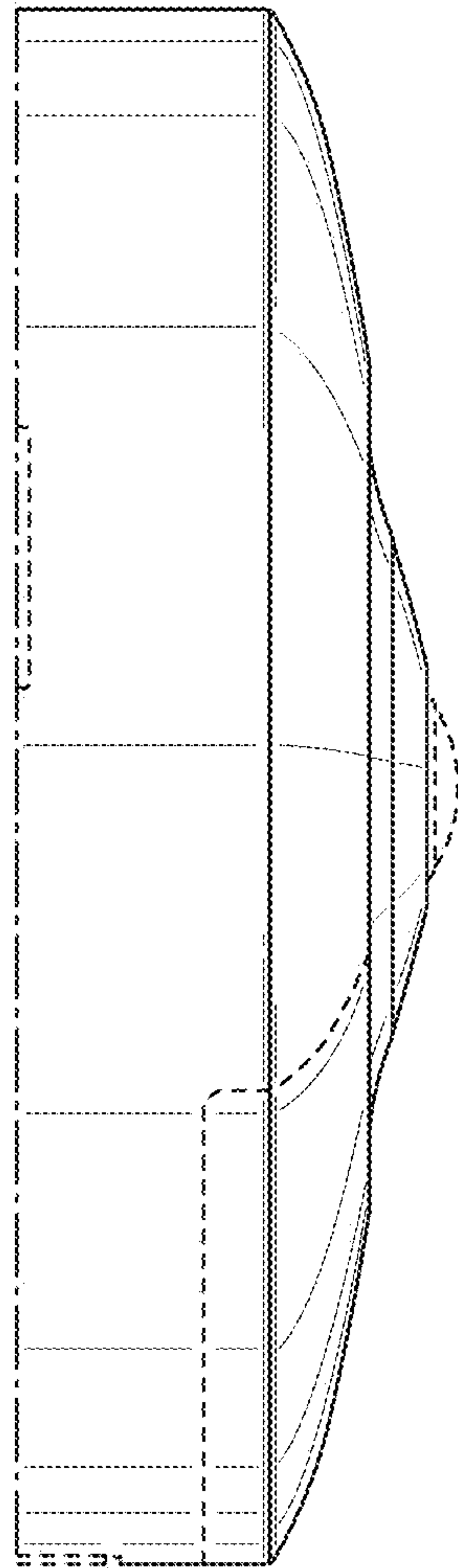


FIG. 5

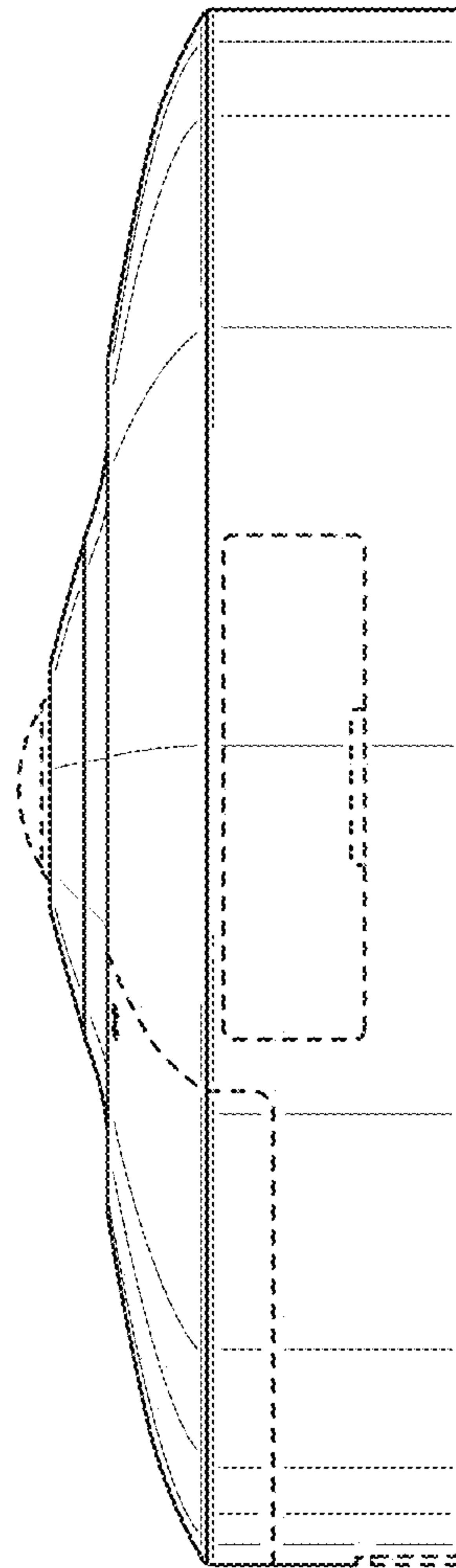


FIG. 6

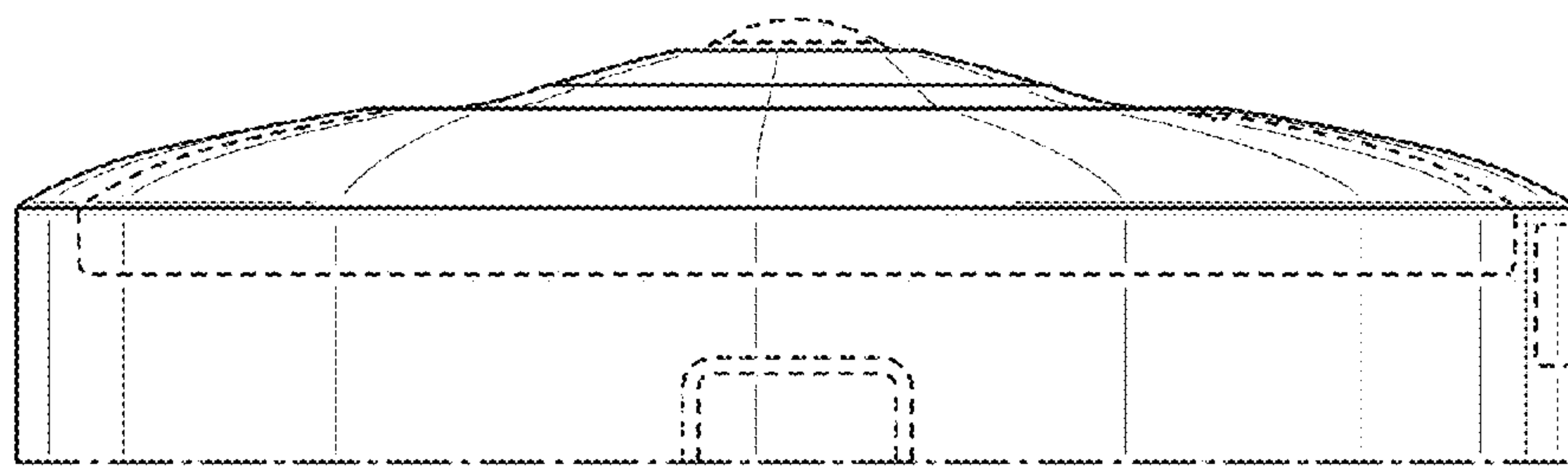


FIG. 7

