



US00D694305S

(12) **United States Design Patent**
Katori et al.

(10) **Patent No.:** **US D694,305 S**
(45) **Date of Patent:** **** Nov. 26, 2013**

(54) **SURVEILLANCE CAMERA**

(75) Inventors: **Takehito Katori**, Fukuoka (JP); **Yasuki Yamakawa**, Fukuoka (JP)

(73) Assignee: **Panasonic Corporation**, Osaka (JP)

(**) Term: **14 Years**

(21) Appl. No.: **29/427,789**

(22) Filed: **Jul. 23, 2012**

(30) **Foreign Application Priority Data**

Apr. 16, 2012 (JP) 2012-008859

(51) **LOC (9) Cl.** **16-01**

(52) **U.S. Cl.**
USPC **D16/203; D16/219**

(58) **Field of Classification Search**
USPC D16/200, 202, 203, 218, 219; 348/143,
348/151, 373-376; 396/427, 535-541
See application file for complete search history.

(56) **References Cited**

U.S. PATENT DOCUMENTS

D225,379 S *	12/1972	Gallagher	D10/106.5
D416,273 S	11/1999	Yamakawa et al.		
D426,250 S *	6/2000	Lefkowitz	D16/203
D452,696 S	1/2002	Fenton		
D499,125 S *	11/2004	Adachi et al.	D16/203
7,324,154 B2 *	1/2008	Cheng	348/373
D581,961 S *	12/2008	Shioya	D16/203

D639,842 S	6/2011	Zeinoun et al.		
D657,410 S	4/2012	Helaoui et al.		
8,325,231 B2 *	12/2012	Oomori	348/143
2012/0106943 A1 *	5/2012	Mukai	396/427

* cited by examiner

Primary Examiner — Adir Aronovich

(74) *Attorney, Agent, or Firm* — Panasonic Patent Center

(57) **CLAIM**

We claim the ornamental design for a surveillance camera, as shown and described.

DESCRIPTION

FIG. 1 is a perspective view of a surveillance camera of the present invention;
 FIG. 2 is a front elevational view thereof;
 FIG. 3 is a top plan view thereof;
 FIG. 4 is a side view thereof;
 FIG. 5 is a side view thereof, opposite of that shown in FIG. 4;
 FIG. 6 is a bottom plan view thereof; and,
 FIG. 7 is a rear elevational view thereof.

The broken line showing of surveillance camera is included for the purpose of illustrating environment and forms no part of the claimed design.

Additionally, the unevenly (dash-dot) broken lines in the drawings which define the bounds of the claimed design form no part thereof.

1 Claim, 7 Drawing Sheets

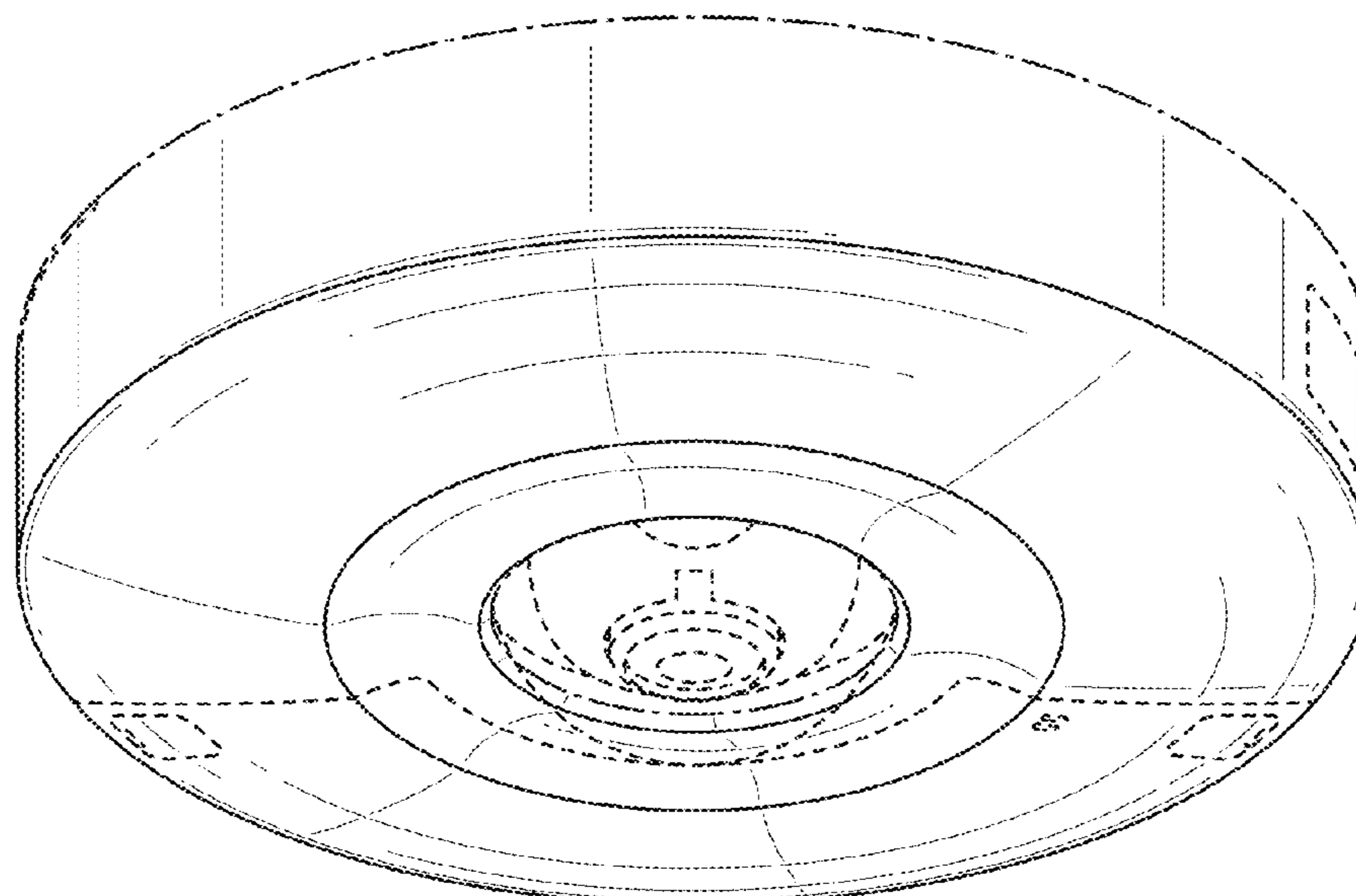


FIG. 1

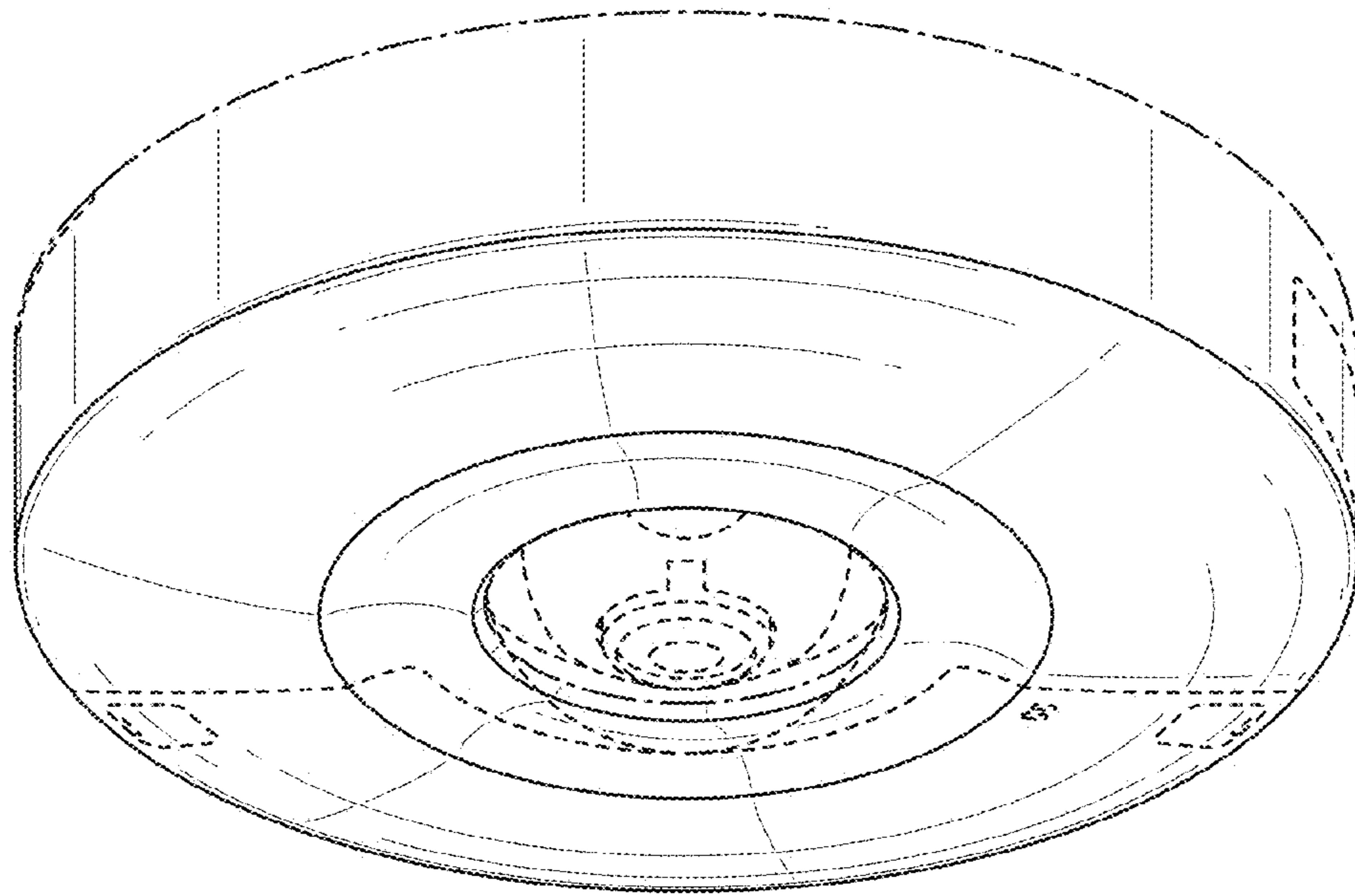


FIG. 2

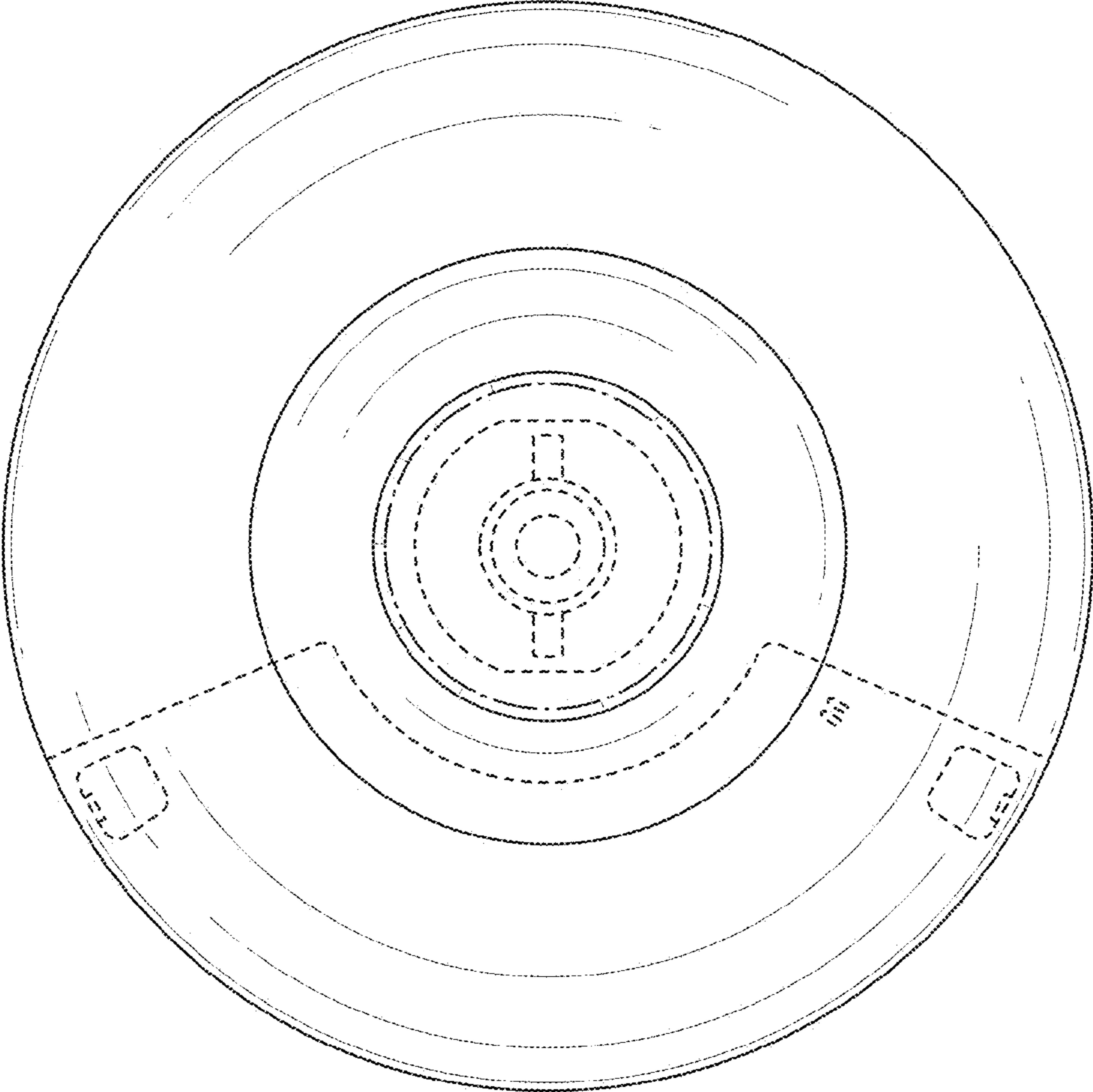


FIG. 3

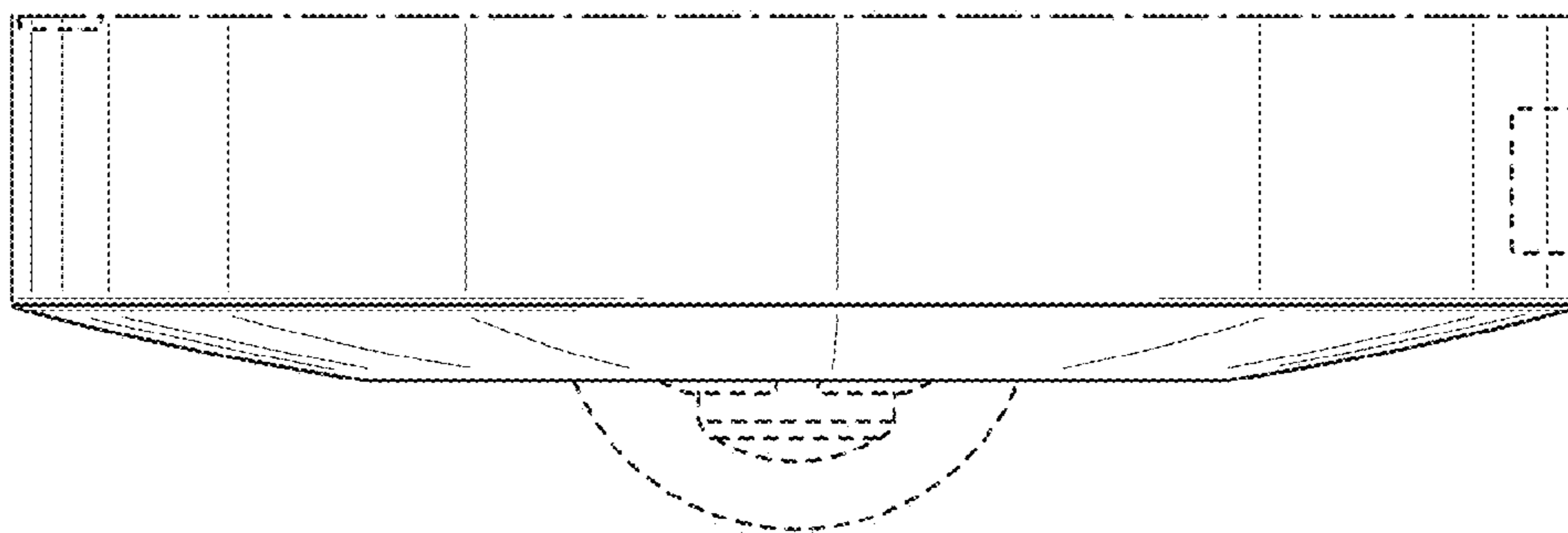


FIG. 4

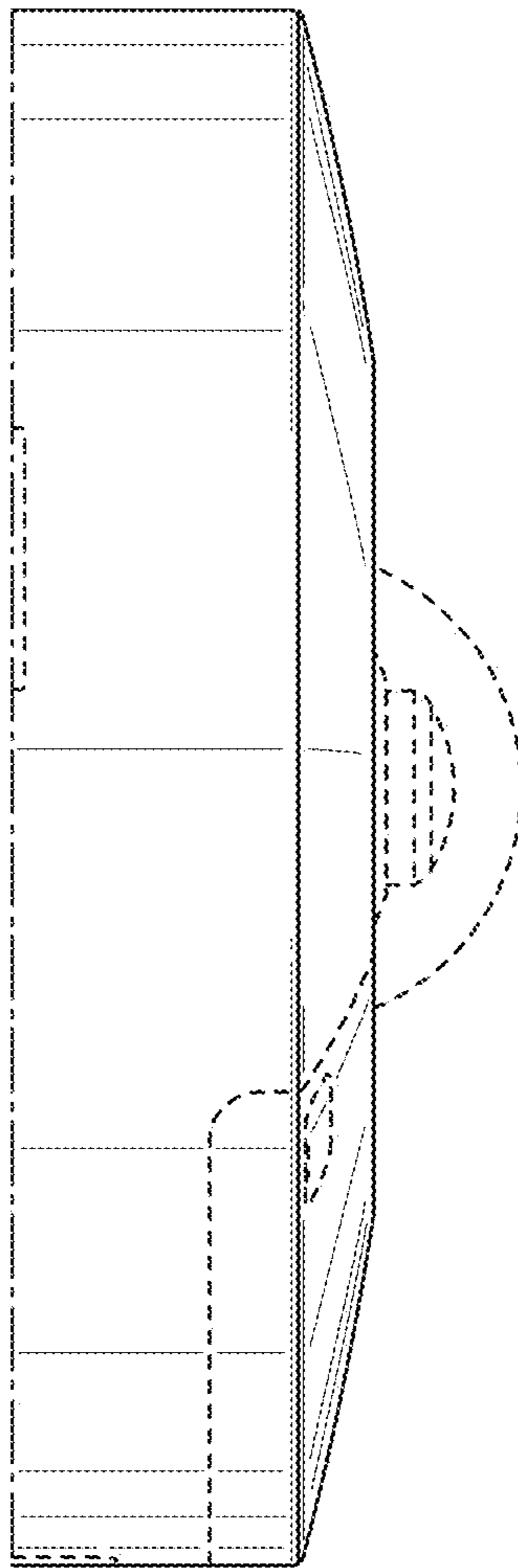


FIG. 5

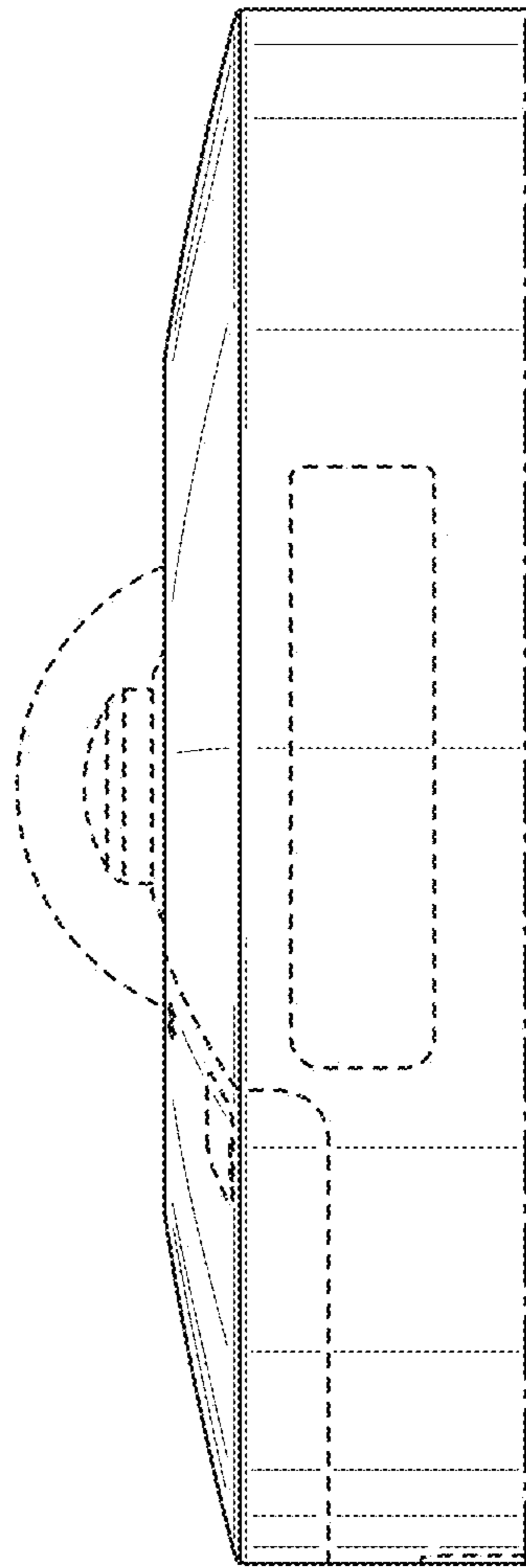


FIG. 6

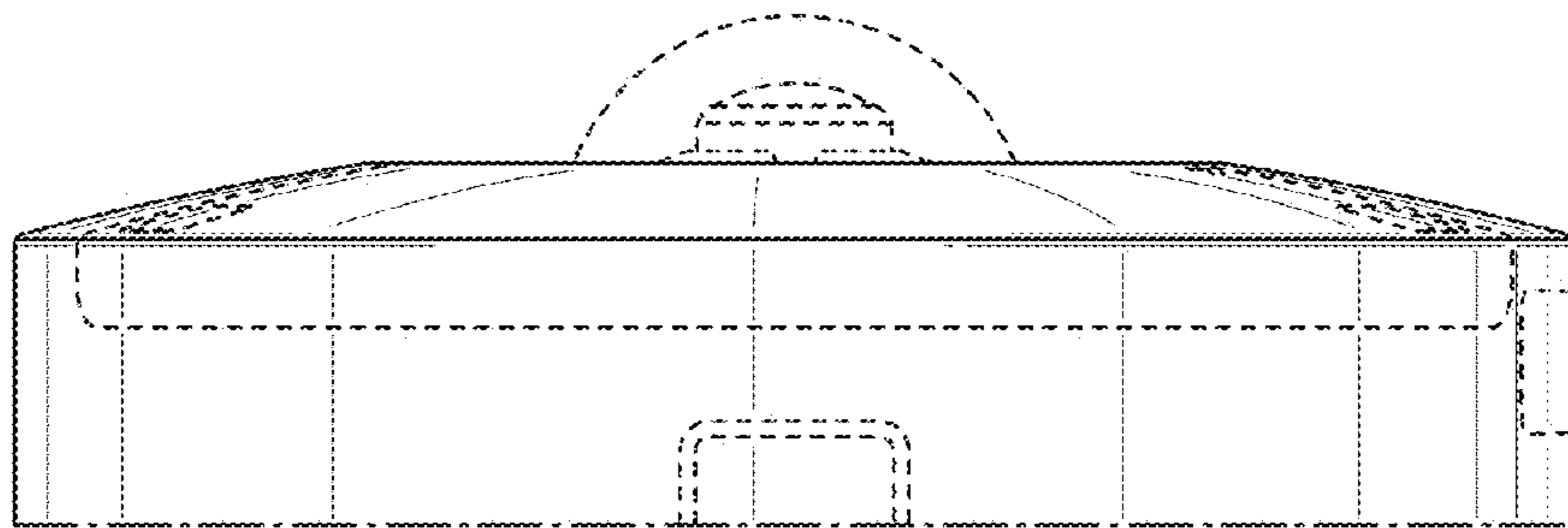


FIG. 7

