



US00D694304S

(12) **United States Design Patent**
Hinkel

(10) **Patent No.:** **US D694,304 S**
(45) **Date of Patent:** **** Nov. 26, 2013**

(54) **CAMERA**

(56)

References Cited

(75) Inventor: **Ralf Hinkel**, Höringen (DE)

(73) Assignee: **Mobotix AG**, Winnweiler (DE)

(**) Term: **14 Years**

(21) Appl. No.: **29/393,933**

(22) Filed: **Jun. 10, 2011**

(30) **Foreign Application Priority Data**

Dec. 10, 2010 (DE) 40 2010 006 651

(51) **LOC (9) Cl.** **16-01**

(52) **U.S. Cl.**
USPC **D16/203**

(58) **Field of Classification Search**

USPC D16/200, 202, 203, 208, 242; 348/373,
348/374; 358/906; 396/535, 540, 541

See application file for complete search history.

U.S. PATENT DOCUMENTS

4,825,302 A *	4/1989	Tezuka et al.	358/906
D577,049 S *	9/2008	Lau et al.	D16/203
D614,223 S *	4/2010	Kim et al.	D16/202
D616,007 S *	5/2010	Teppan et al.	D16/203
D624,109 S *	9/2010	Wang et al.	D16/242
D627,813 S *	11/2010	Chen et al.	D16/202

* cited by examiner

Primary Examiner — Adir Aronovich

(74) *Attorney, Agent, or Firm* — Oblon, Spivak,
McClelland, Maier & Neustadt, L.L.P.

(57)

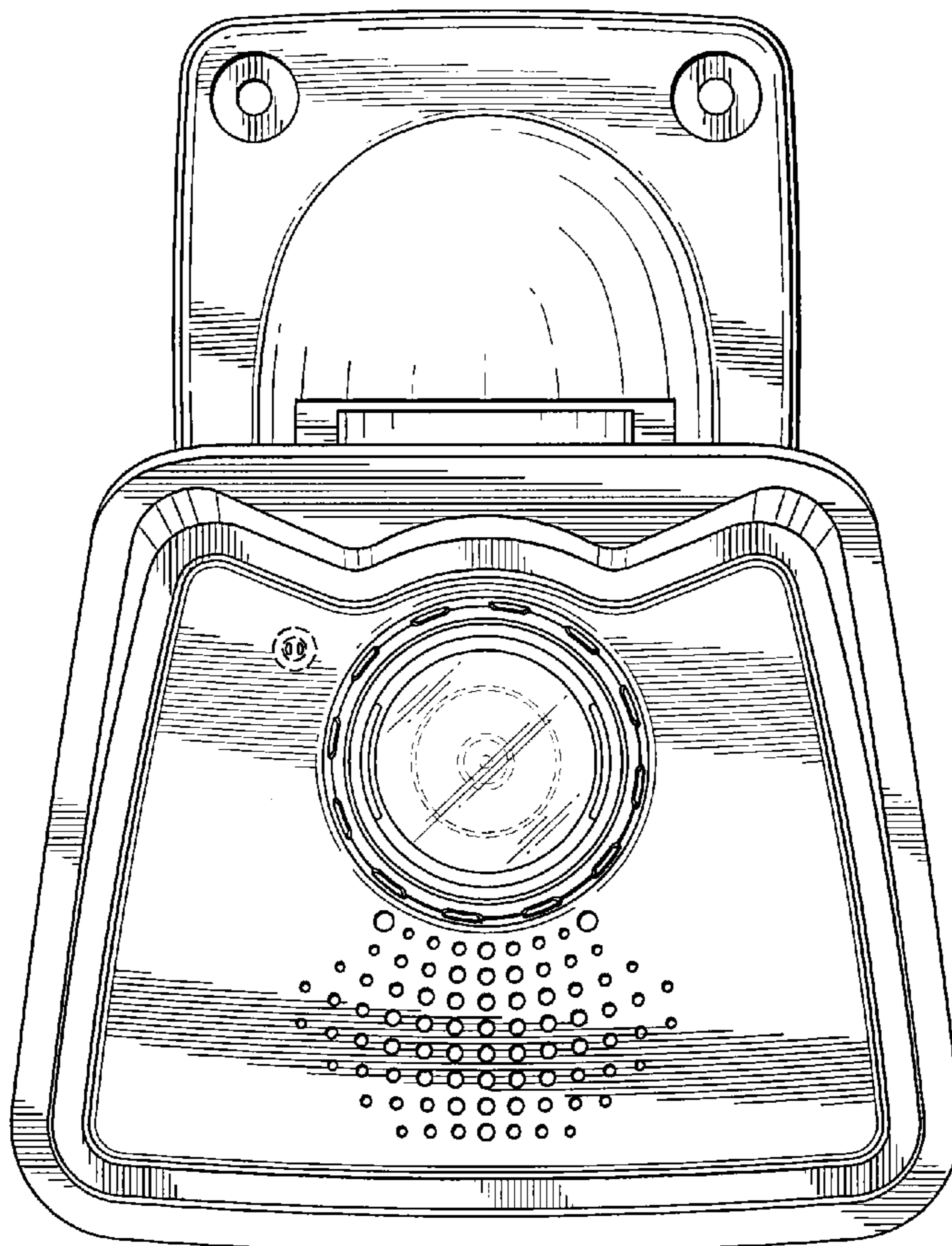
CLAIM

The ornamental design for a camera, as shown and described.

DESCRIPTION

FIG. 1 is a rear elevational view of a camera showing my invention;
FIG. 2 is a front elevational view thereof;
FIG. 3 is a right side elevational view thereof;
FIG. 4 is a left side elevational view thereof;
FIG. 5 is a top plan view thereof; and,
FIG. 6 is a bottom plan view thereof.

1 Claim, 6 Drawing Sheets



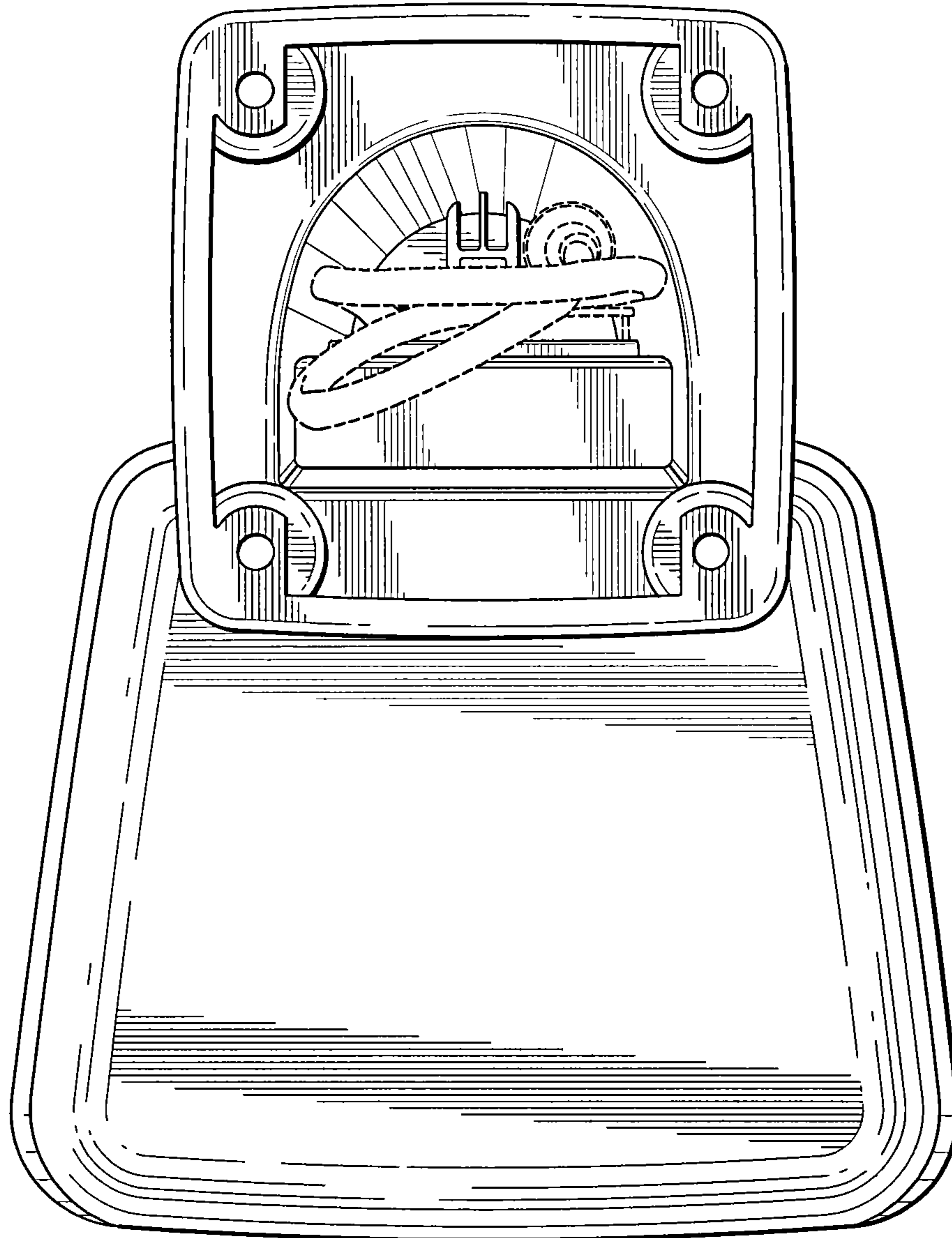


Fig. 1

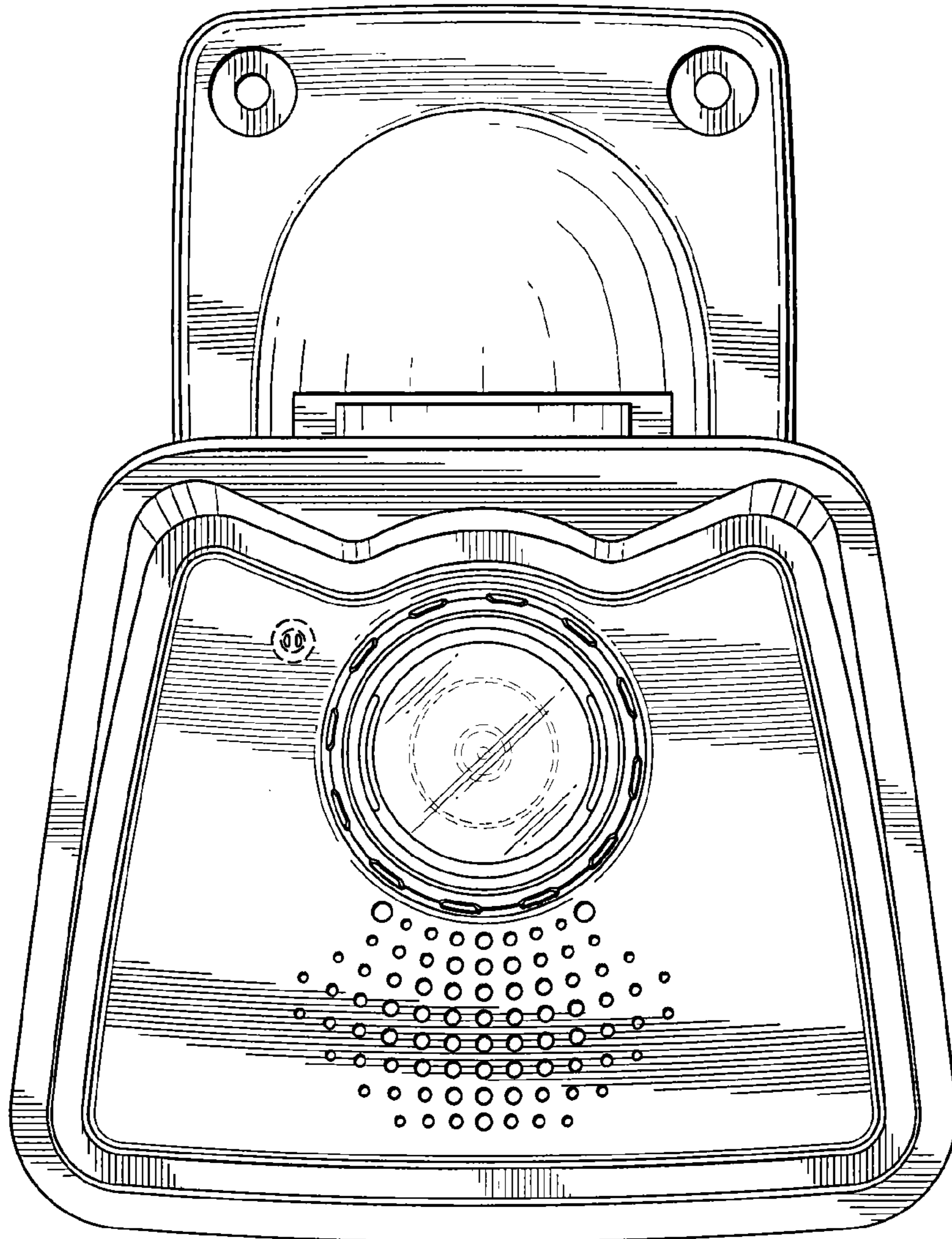


Fig. 2

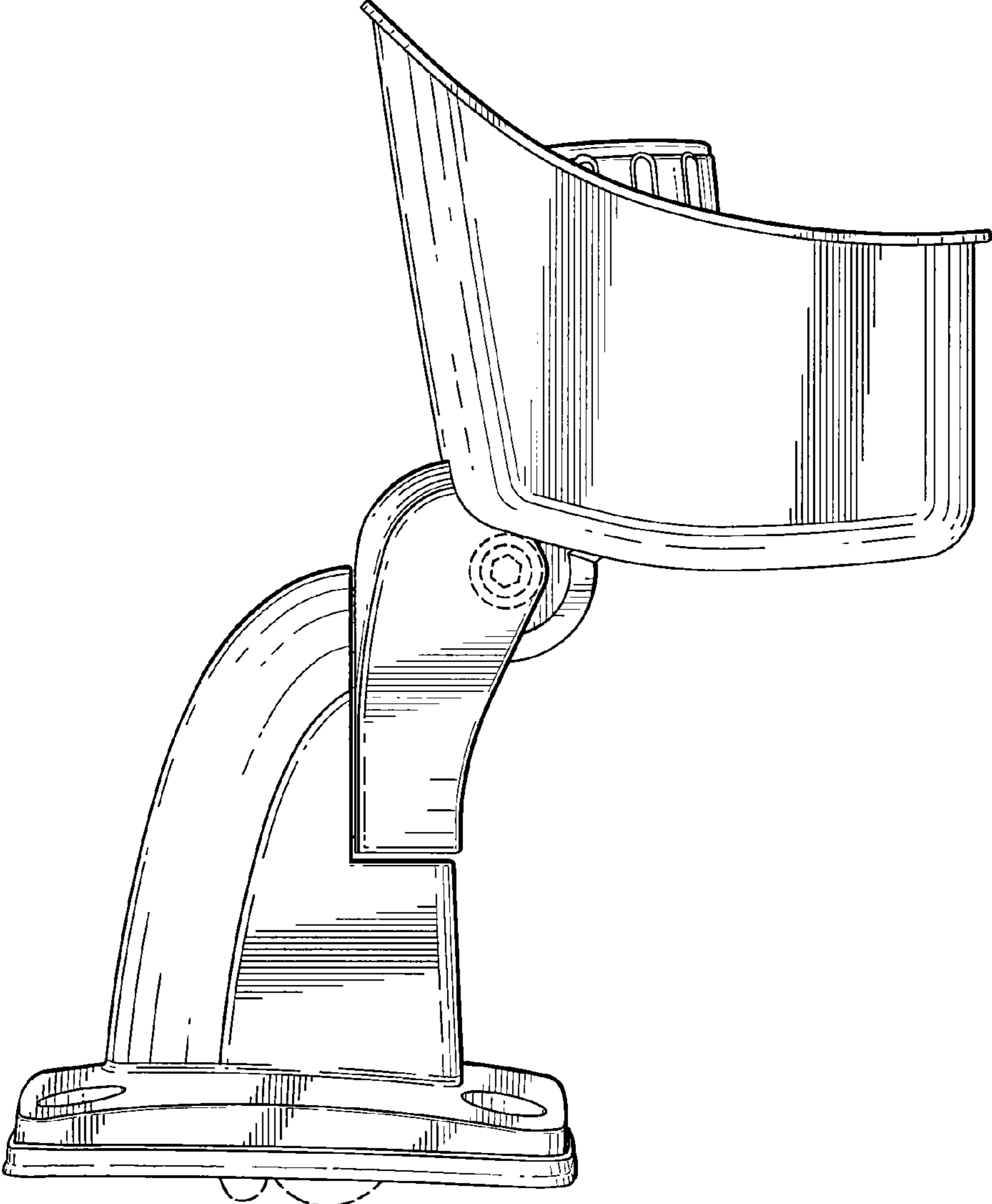


Fig. 3

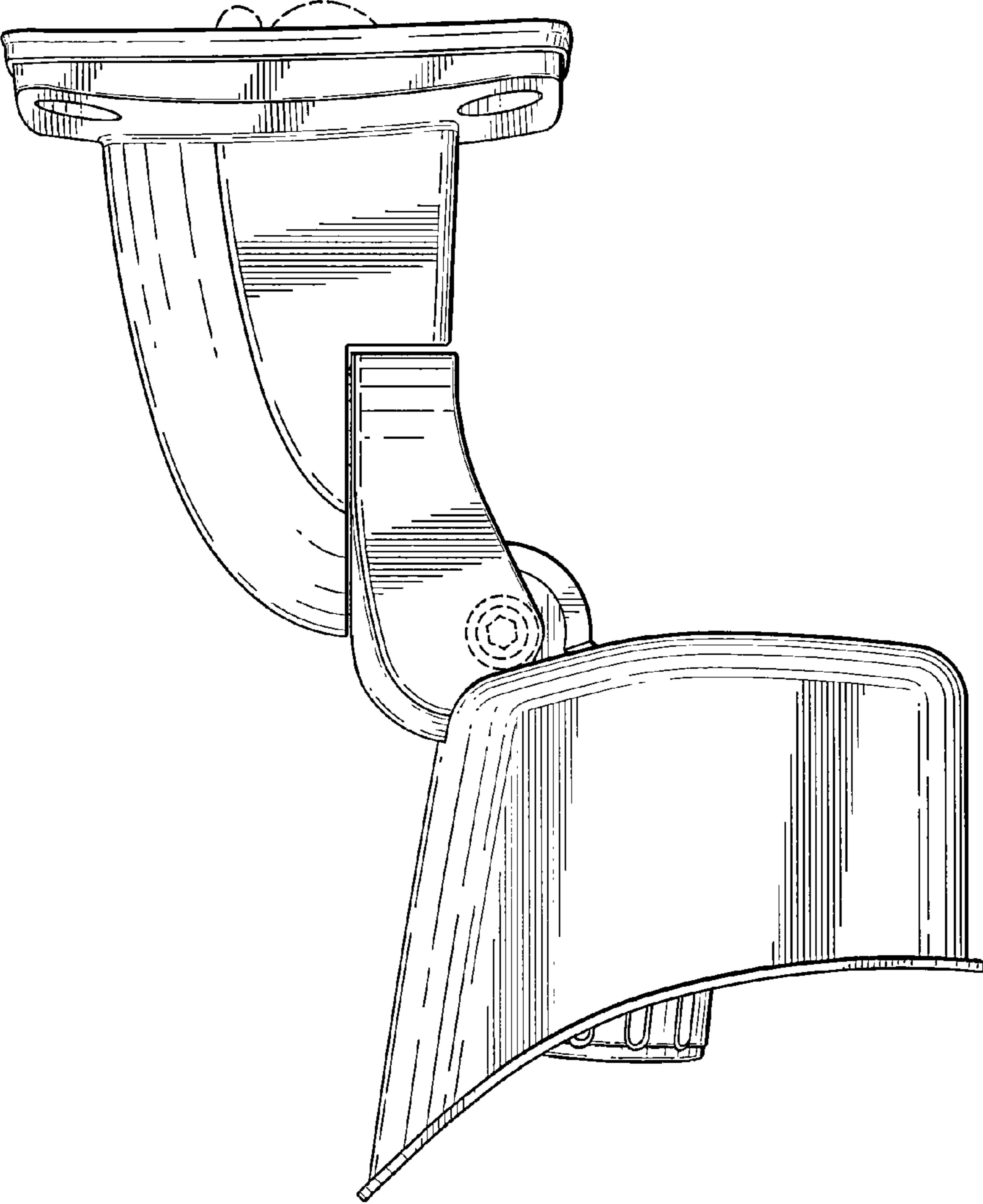


Fig. 4

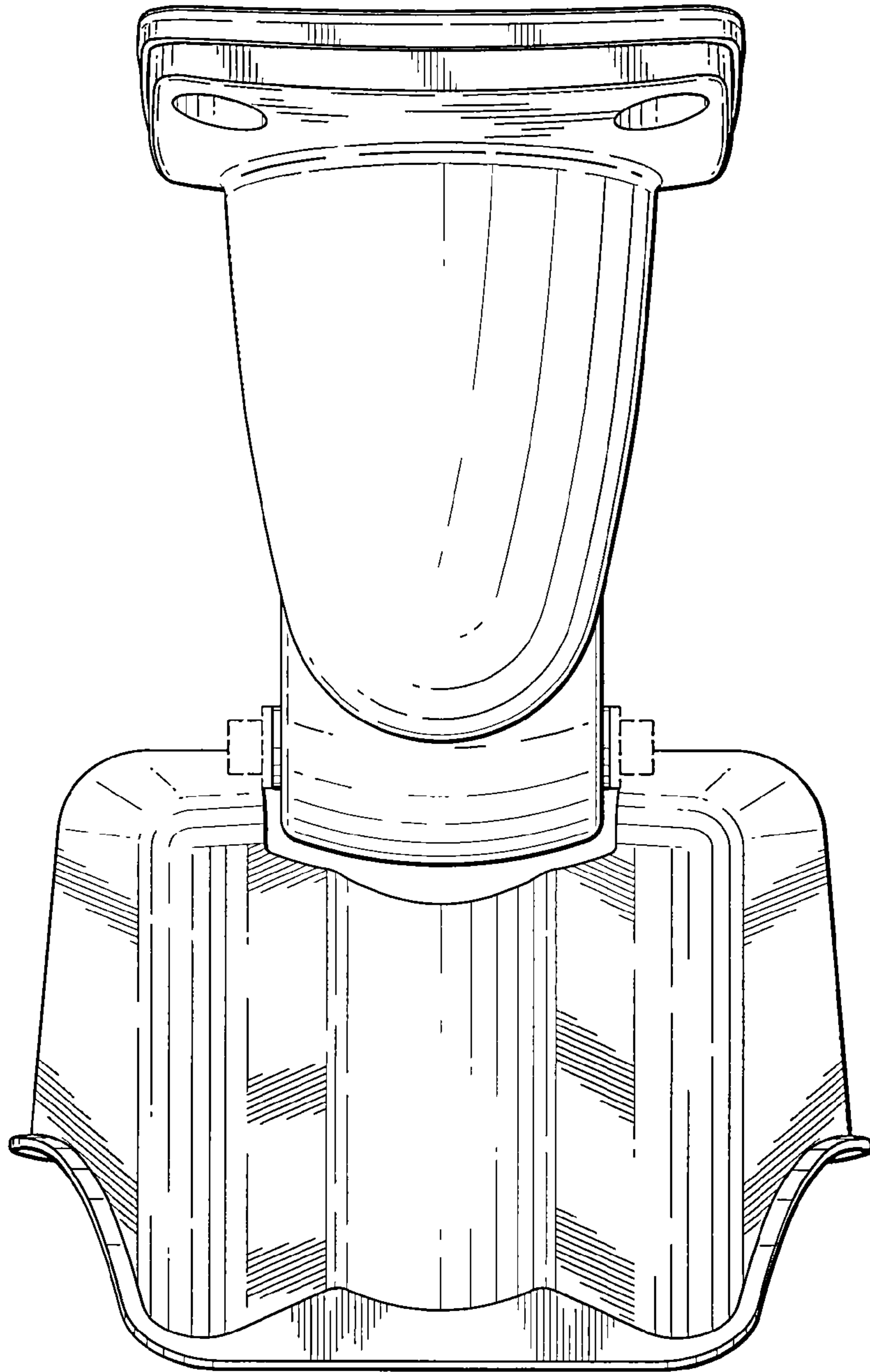


Fig. 5

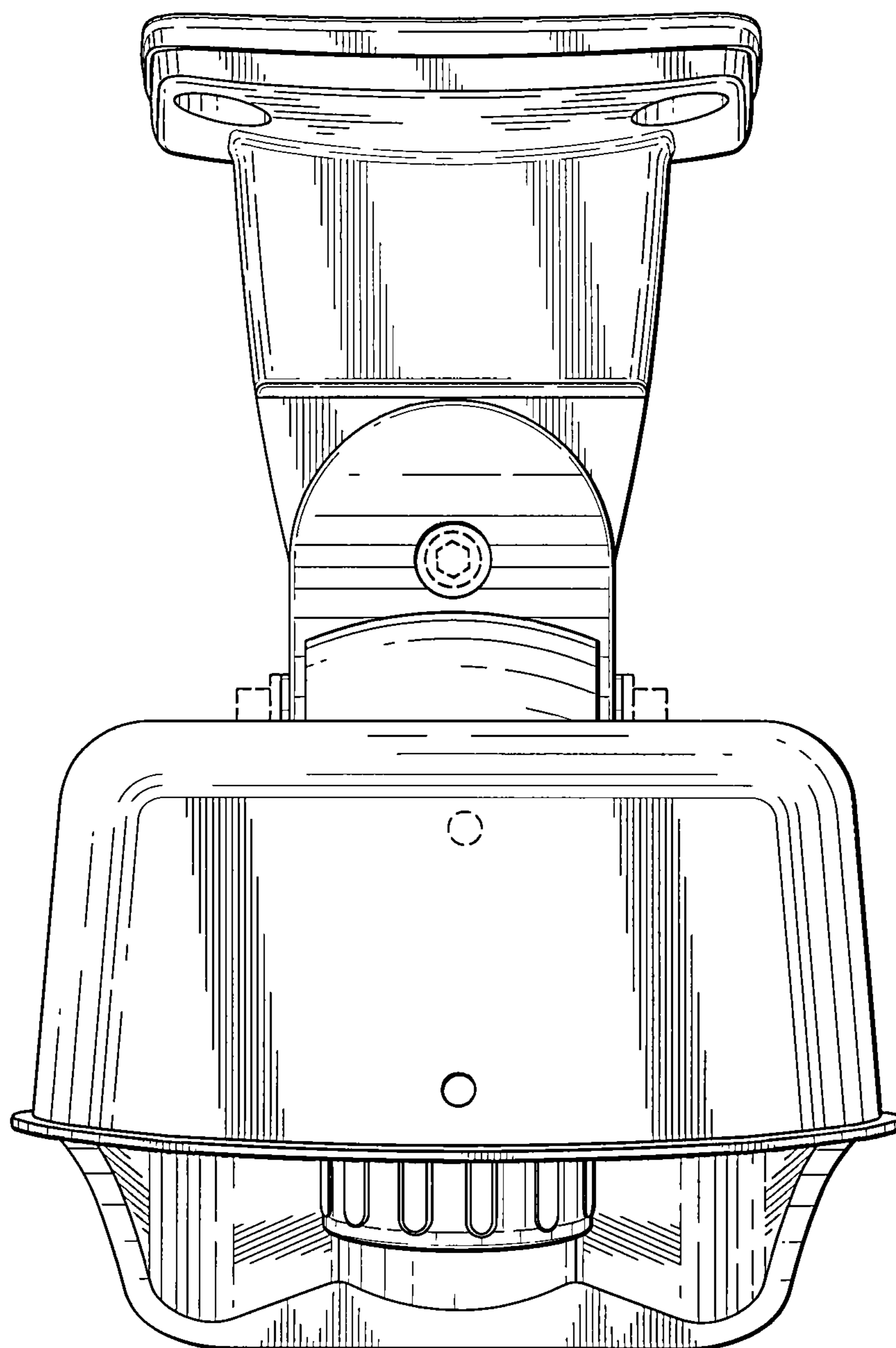


Fig. 6