



US00D694302S

(12) **United States Design Patent**
Lee et al.

(10) **Patent No.:** **US D694,302 S**
(45) **Date of Patent:** **** Nov. 26, 2013**

(54) **DIGITAL CAMERA**
(75) Inventors: **Kwan-Hee Lee**, Seoul (KR); **Eui-Hoon Kim**, Kyunggi-do (KR); **Ki-Jin Kwon**, Kyunggi-do (KR)
(73) Assignee: **Samsung Electronics Co., Ltd.**, Suwon-si, Gyeonggi-do (KR)

(**) Term: **14 Years**

(21) Appl. No.: **29/430,616**

(22) Filed: **Aug. 28, 2012**

(30) **Foreign Application Priority Data**

Apr. 27, 2012 (KR) 30-2012-0020534
(51) **LOC (9) Cl.** **16-01**
(52) **U.S. Cl.**
USPC **D16/202**

(58) **Field of Classification Search**
USPC D16/200, 202, 203, 204, 218;
348/373-376; 358/909.1; 396/535-541
See application file for complete search history.

(56) **References Cited**

U.S. PATENT DOCUMENTS

D522,555 S 6/2006 Choi
D556,229 S 11/2007 Bai

D597,116 S * 7/2009 Watanabe D16/202
7,646,426 B2 * 1/2010 Saiki et al. 348/373
D627,381 S * 11/2010 Kwon D16/202
D634,766 S * 3/2011 Ham D16/202
D641,033 S * 7/2011 Nohara D16/202
8,014,667 B2 * 9/2011 Saiki 396/535
D665,002 S * 8/2012 Kwon et al. D16/202

OTHER PUBLICATIONS

U.S. Appl. No. 29/430,619, Applicant: Sun-Woong Ham, et al., filed Aug. 28, 2012 entitled Digital Camera.

* cited by examiner

Primary Examiner — Adir Aronovich

(74) *Attorney, Agent, or Firm* — Flynn, Thiel, Boutell & Tanis, P.C.

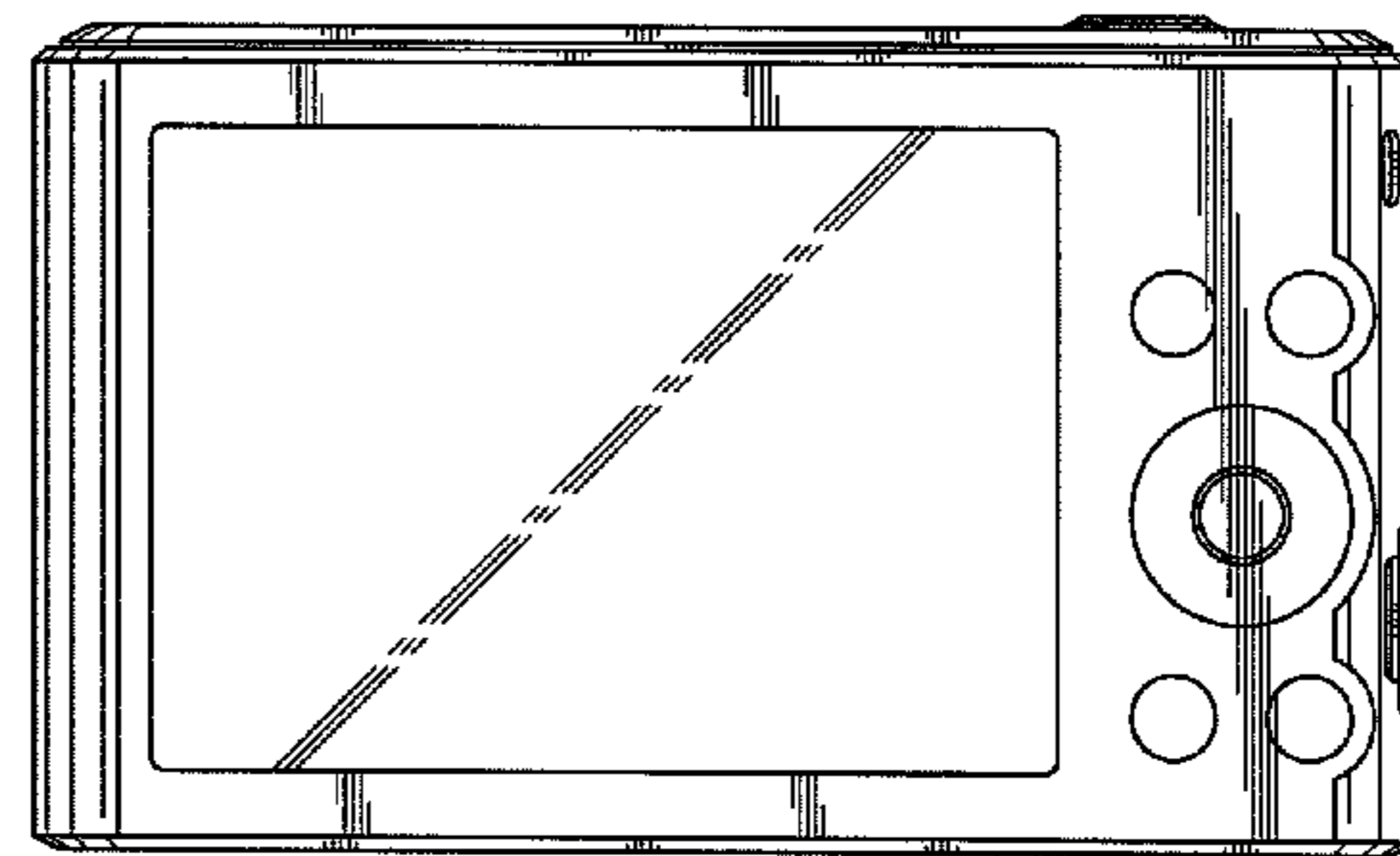
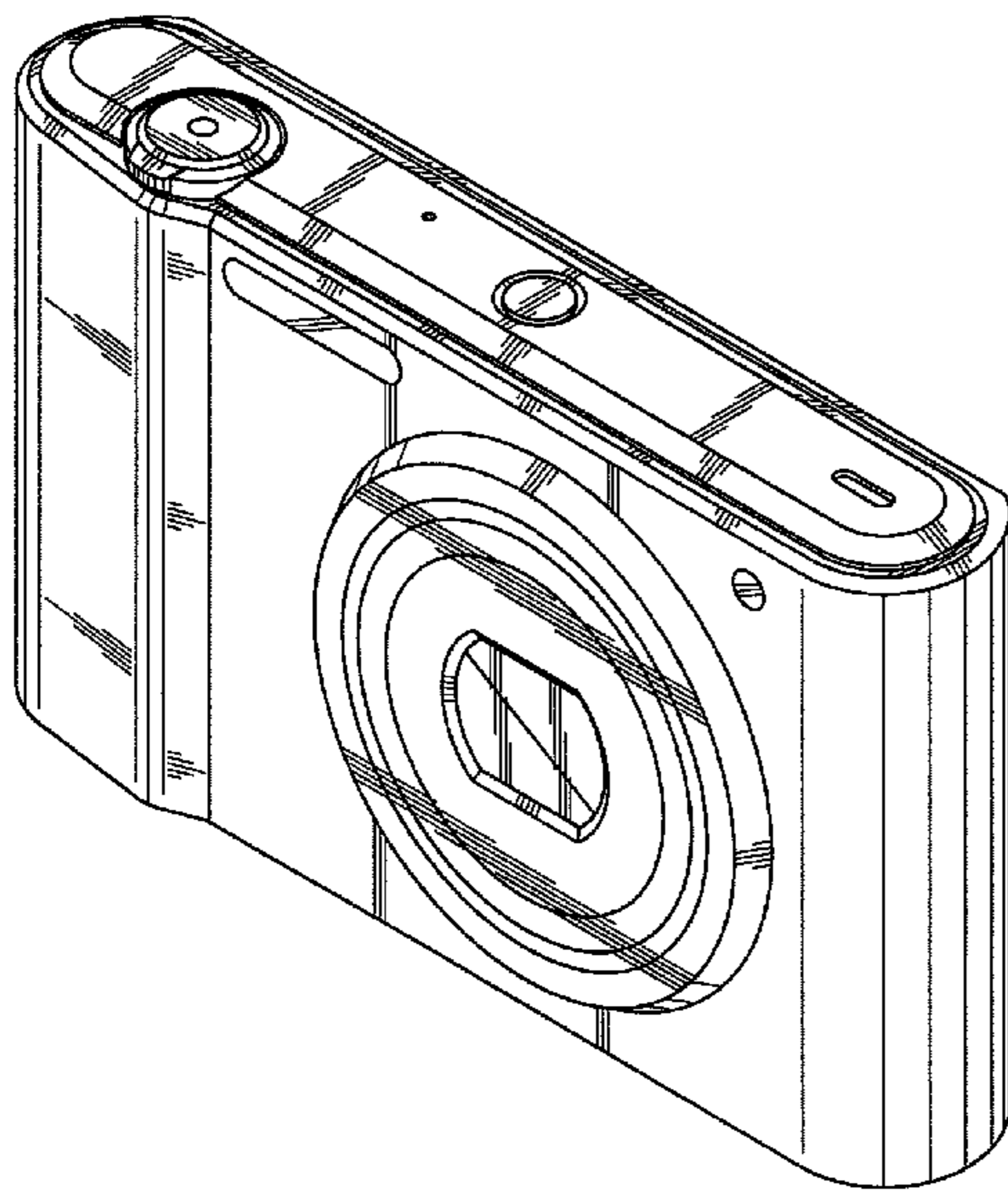
(57) **CLAIM**

The ornamental design for a digital camera, as shown and described.

DESCRIPTION

FIG. 1 is a top, front and right side perspective view of a digital camera showing our new design.
FIG. 2 is a front elevational view thereof;
FIG. 3 is a rear elevational view thereof;
FIG. 4 is a left side elevational view thereof;
FIG. 5 is a right side elevational view thereof;
FIG. 6 is a top plan view thereof; and,
FIG. 7 is a bottom plan view thereof.

1 Claim, 3 Drawing Sheets



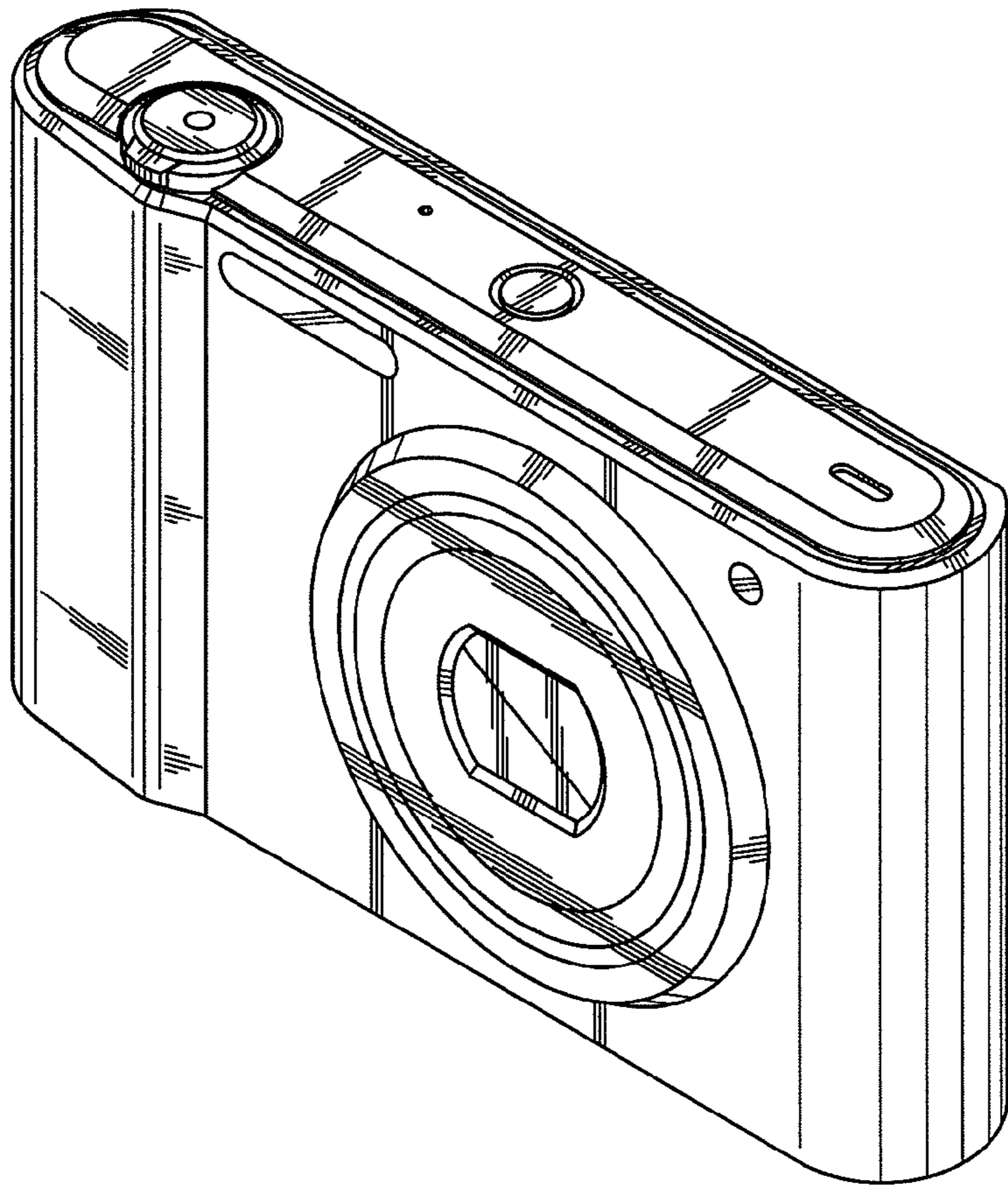


FIG. 1

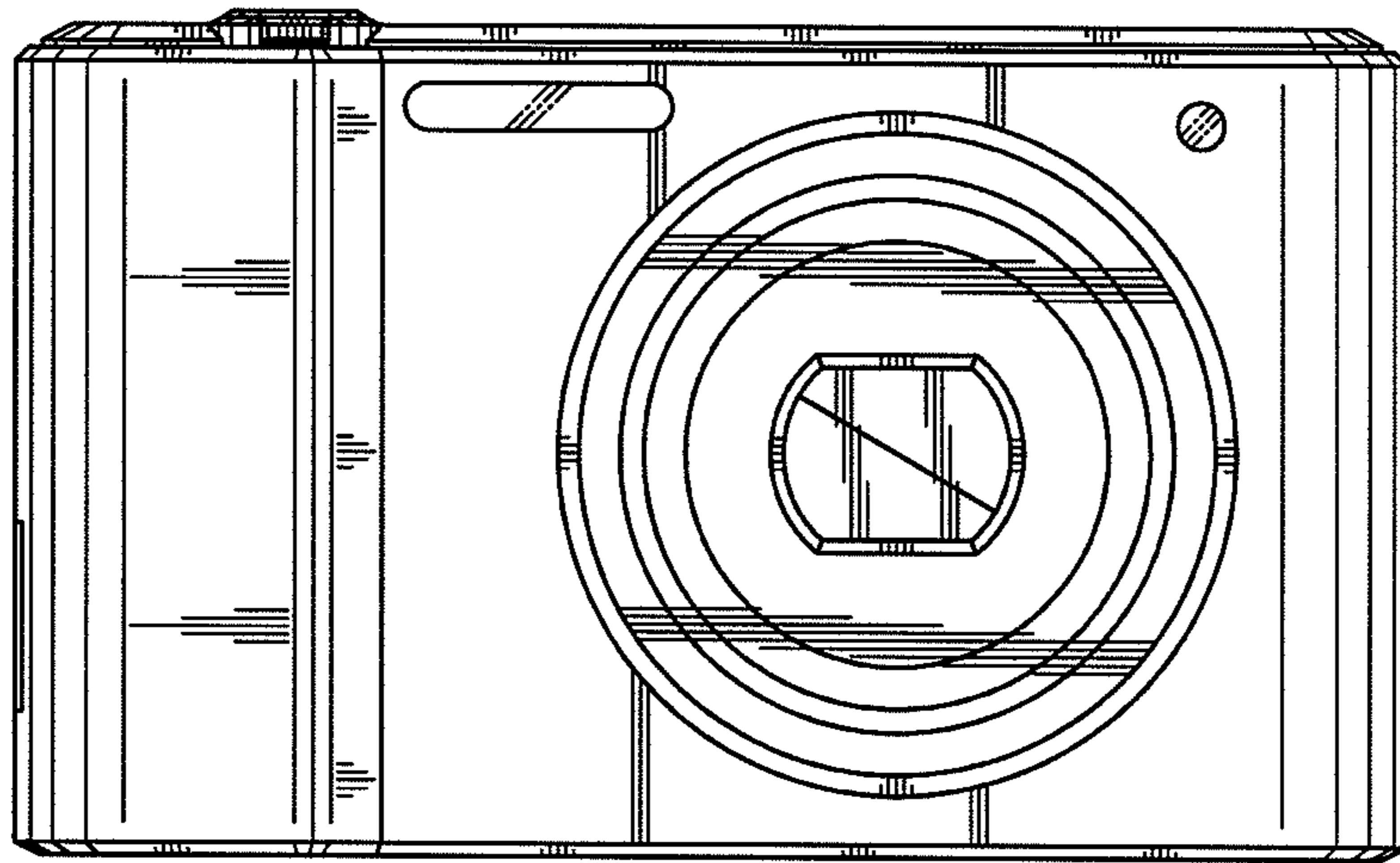


FIG. 2

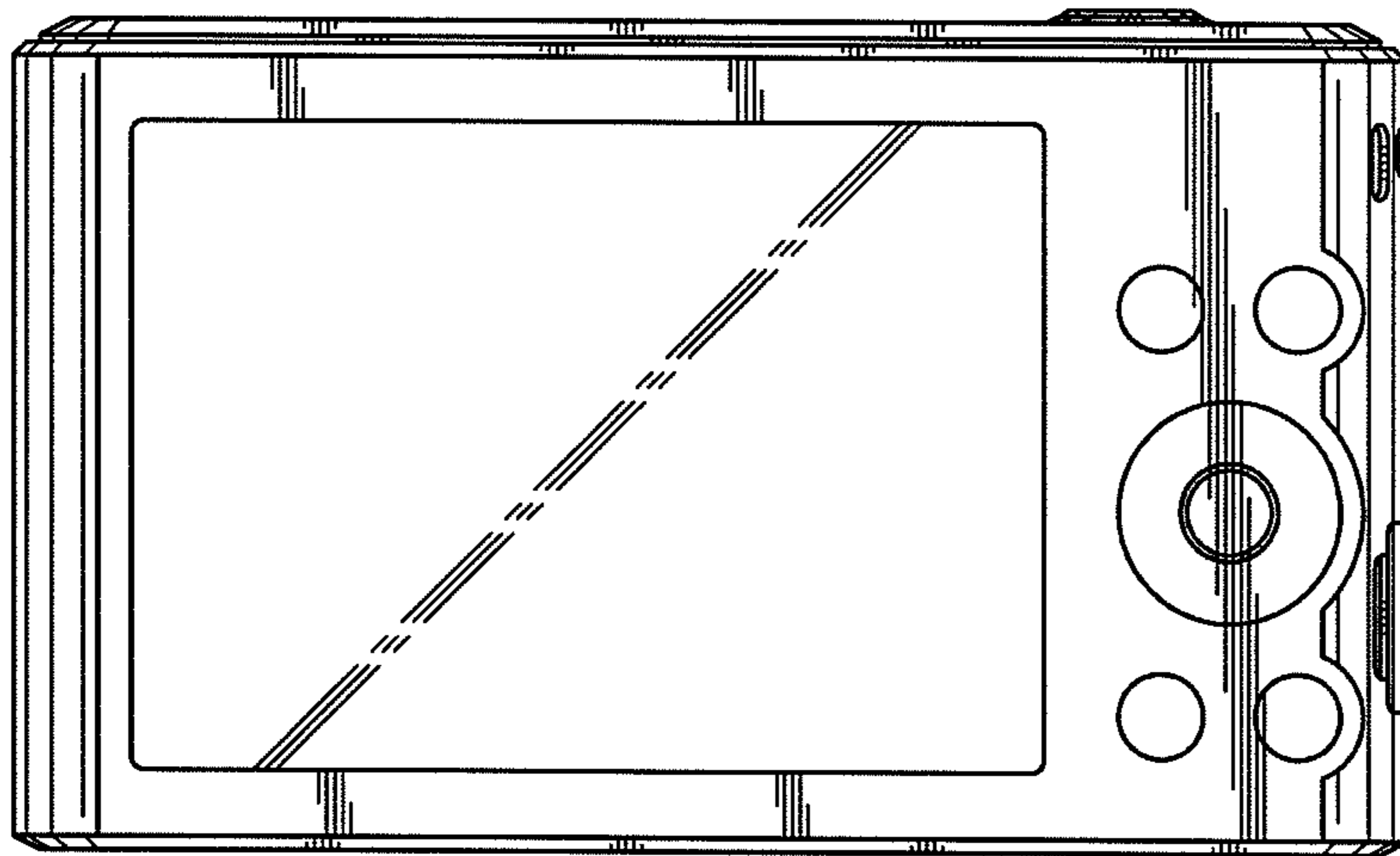


FIG. 3

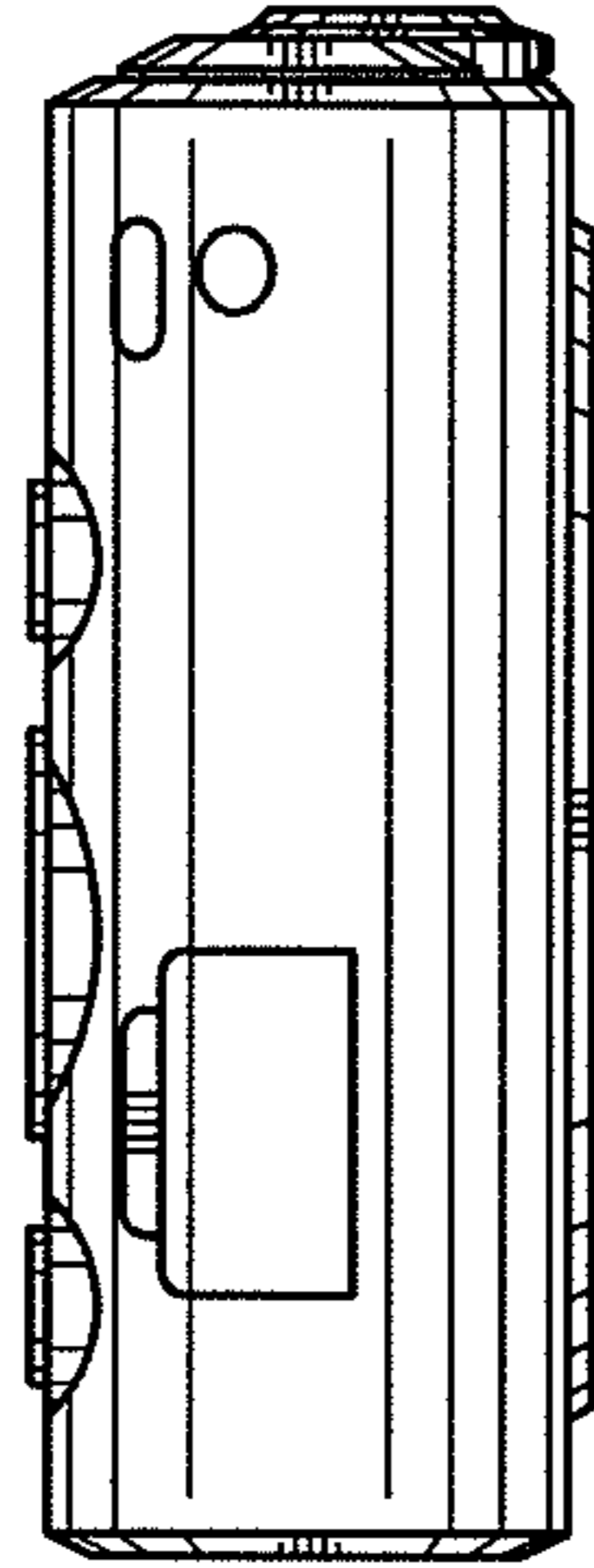


FIG. 4

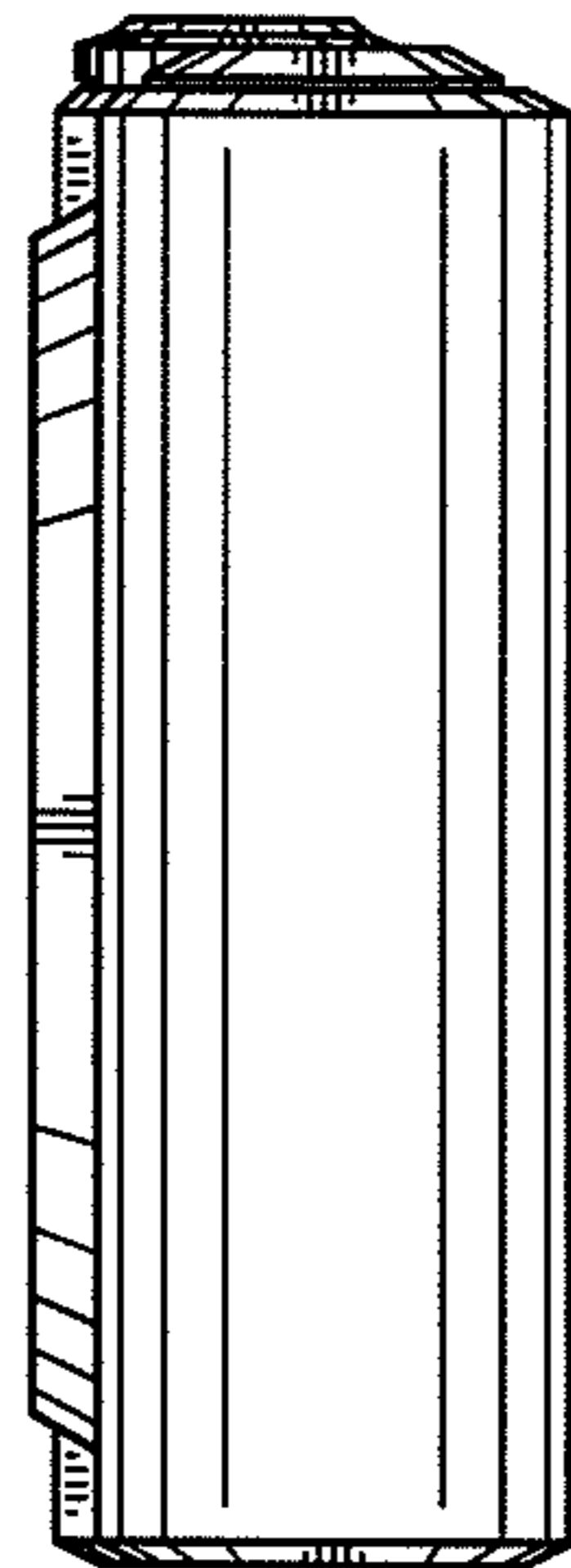


FIG. 5

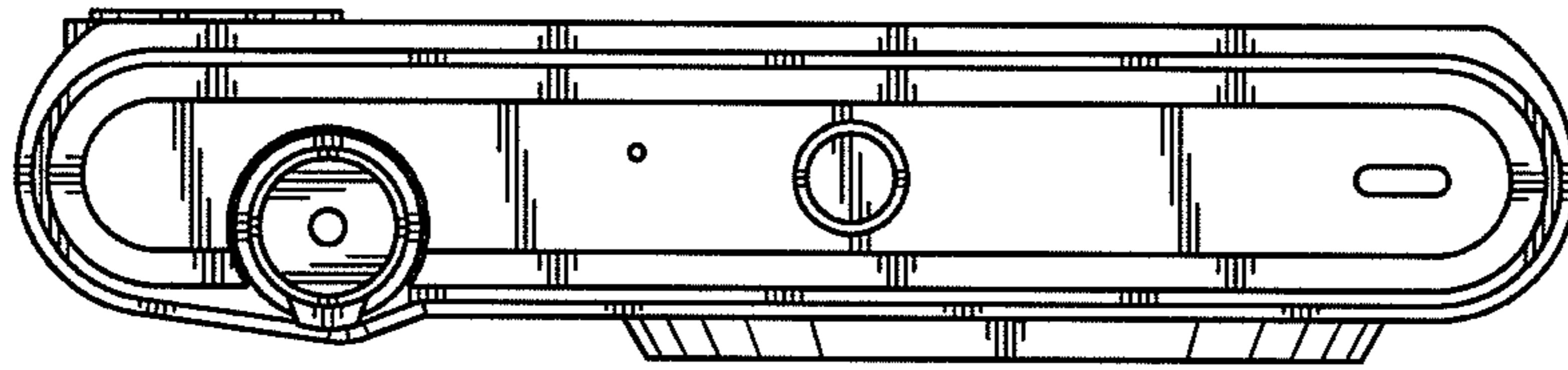


FIG. 6

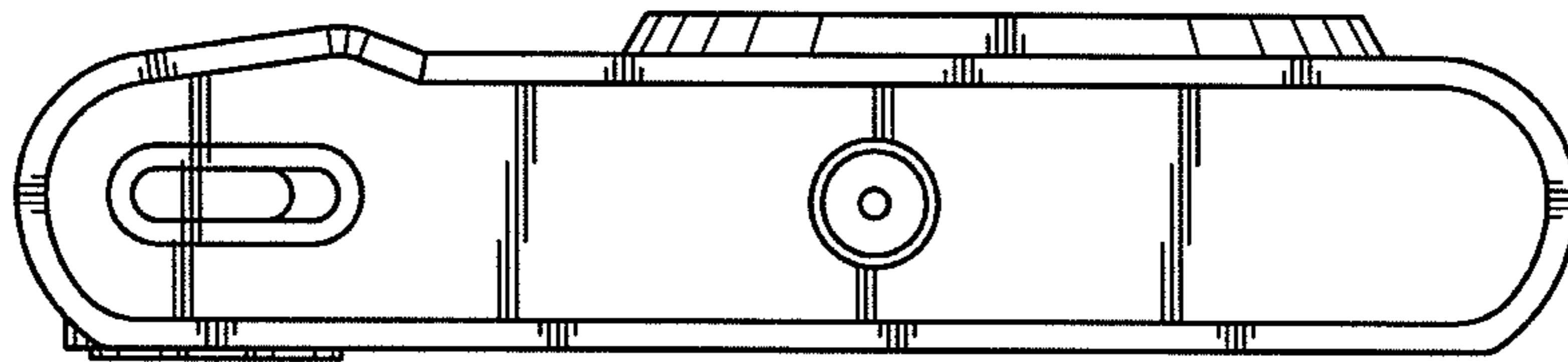


FIG. 7