



US00D694301S

(12) **United States Design Patent**
Hynek et al.

(10) **Patent No.:** **US D694,301 S**

(45) **Date of Patent:** **** Nov. 26, 2013**

(54) **TIRE PRESS HORIZONTAL
CROSS-MEMBER**

(71) Applicant: **Zapadoceska Univerzita V Plzni**, Plzen
(CZ)

(72) Inventors: **Martin Hynek**, Plzen (CZ); **Miroslav
Grach**, Bilina (CZ); **Petr Votapek**,
Utechovicky (CZ); **Zdenek Raab**, Ceske
Budejovice (CZ); **Eduard Muller**, Most
(CZ); **Jan Klepacek**, Kraslice (CZ)

(73) Assignee: **Zapadoceska Univerzita V Plzni**, Plzen
(CZ)

(**) Term: **14 Years**

(21) Appl. No.: **29/448,146**

(22) Filed: **Mar. 11, 2013**

(51) **LOC (9) Cl.** **15-99**

(52) **U.S. Cl.**
USPC **D15/199**; D15/138

(58) **Field of Classification Search**
USPC D8/105, 499; D15/138, 139; 264/326;
425/28.1, 34.1, 47, 48, 58
See application file for complete search history.

(56) **References Cited**

U.S. PATENT DOCUMENTS

2,904,831 A * 9/1959 Frohlich 425/47
4,105,379 A * 8/1978 Gazuit 425/47

5,744,169 A * 4/1998 Fujieda et al. 425/47
8,282,373 B2 * 10/2012 Fujieda et al. 425/47
2008/0299241 A1 * 12/2008 Price 425/47
2011/0200698 A1 * 8/2011 Fujieda et al. 425/47
2012/0319330 A1 * 12/2012 Mizuta et al. 264/326

* cited by examiner

Primary Examiner — Patricia Palasik

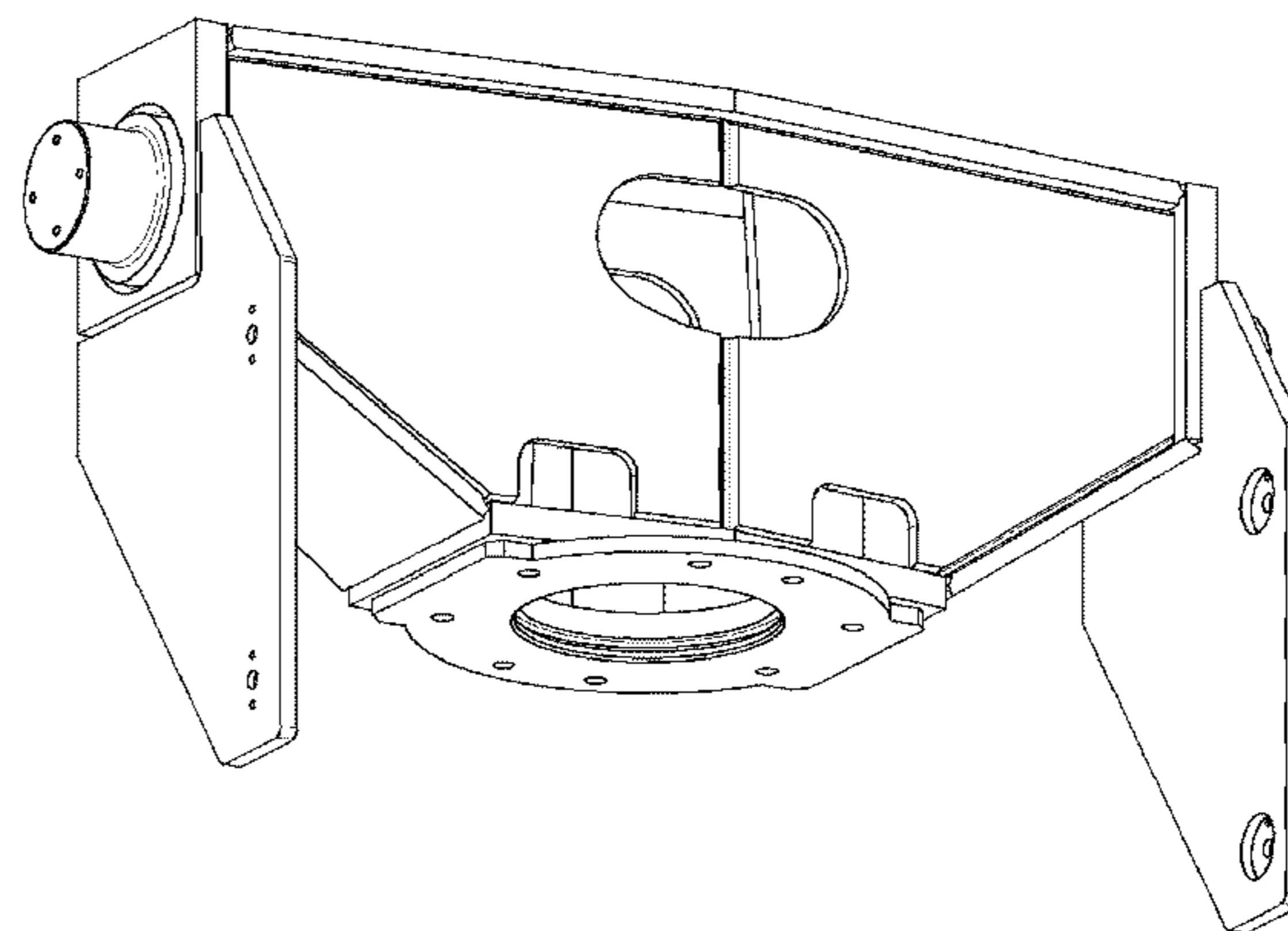
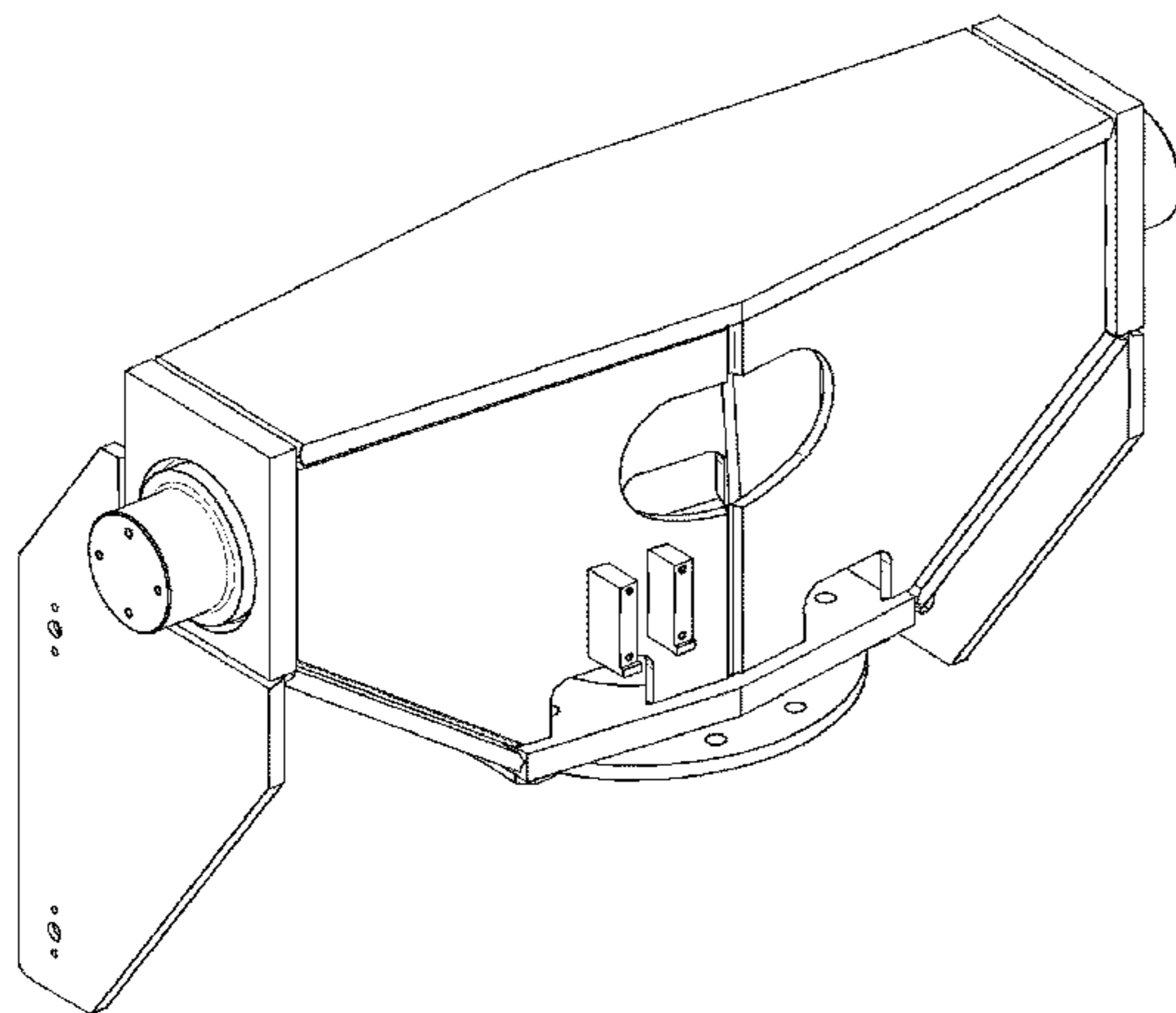
(57) **CLAIM**

The ornamental design for a tire press horizontal cross-member, as shown and described.

DESCRIPTION

FIG. 1 is a perspective view of a tire press horizontal cross-member's position in a tire press assembly;
FIG. 2 is a bottom plan view of a tire press horizontal cross-member showing my new design;
FIG. 3 is a front elevational view thereof;
FIG. 4 is a right side elevational view thereof;
FIG. 5 is a sectional view taken in the direction of the arrows on line 5-5 of FIG. 2;
FIG. 6 is a sectional view taken in the direction of the arrows on line 6-6 of FIG. 3;
FIG. 7 is a perspective front view of a tire press horizontal cross-member showing my new design; and,
FIG. 8 is a perspective rear view thereof.
The broken lines in the drawings depict unclaimed environmental subject matter.

1 Claim, 5 Drawing Sheets



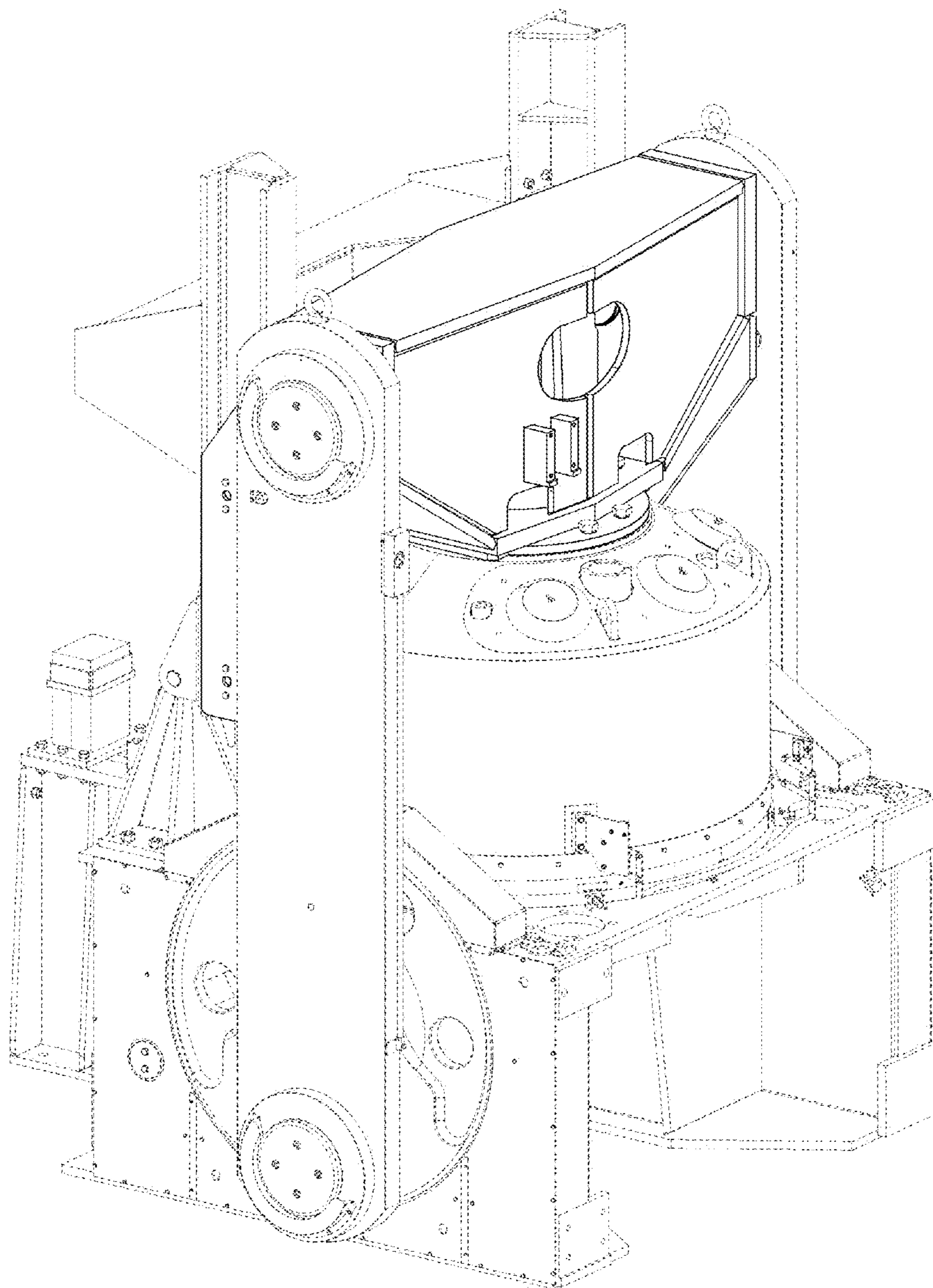


FIGURE 1

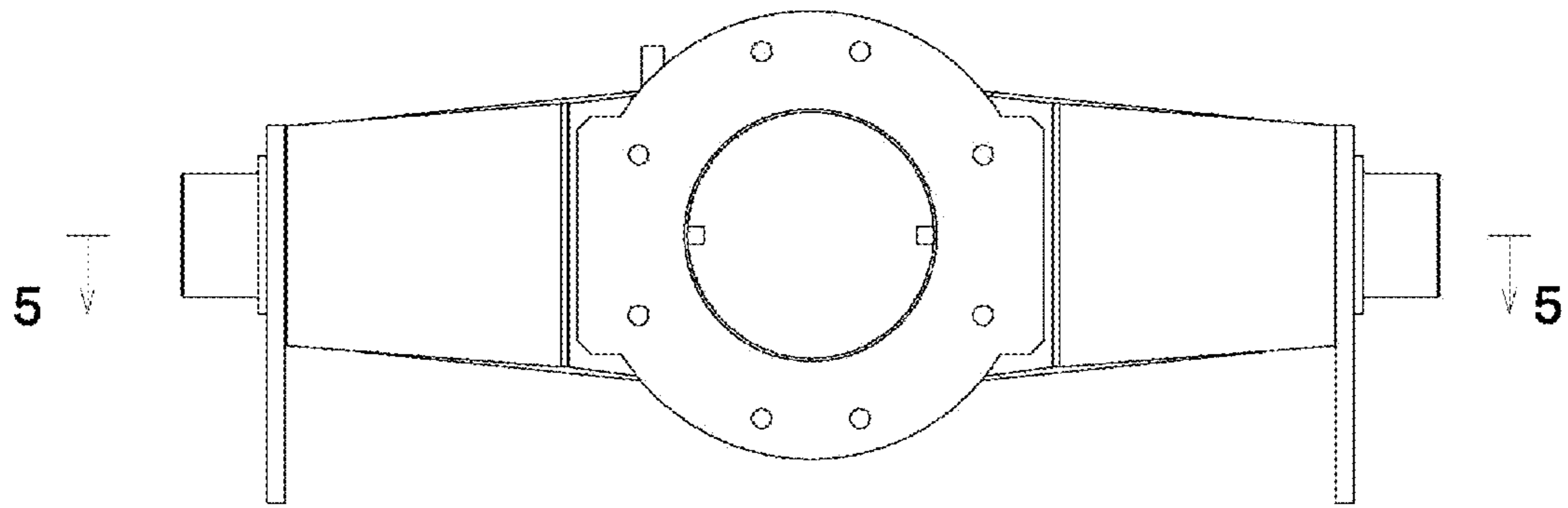


FIGURE 2

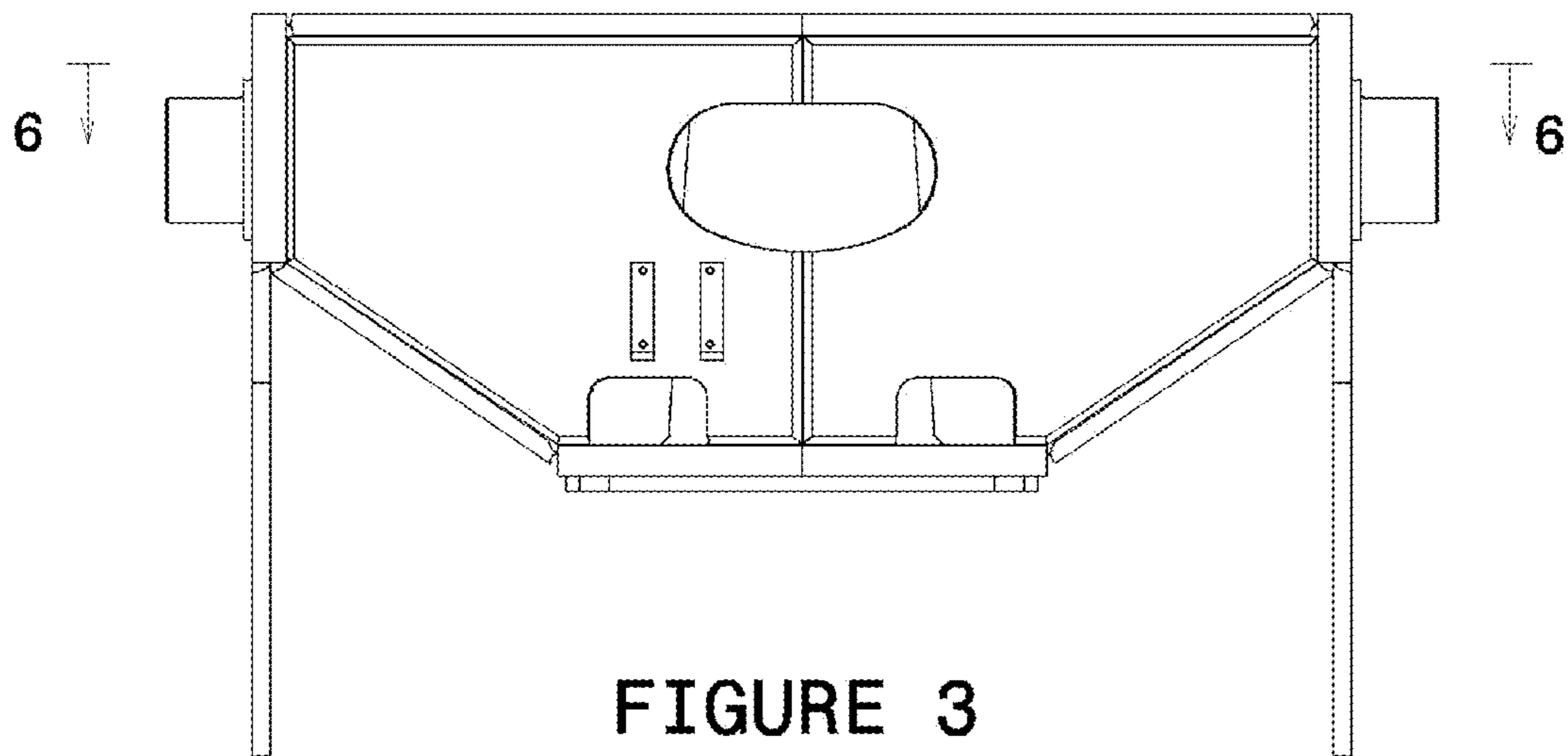


FIGURE 3

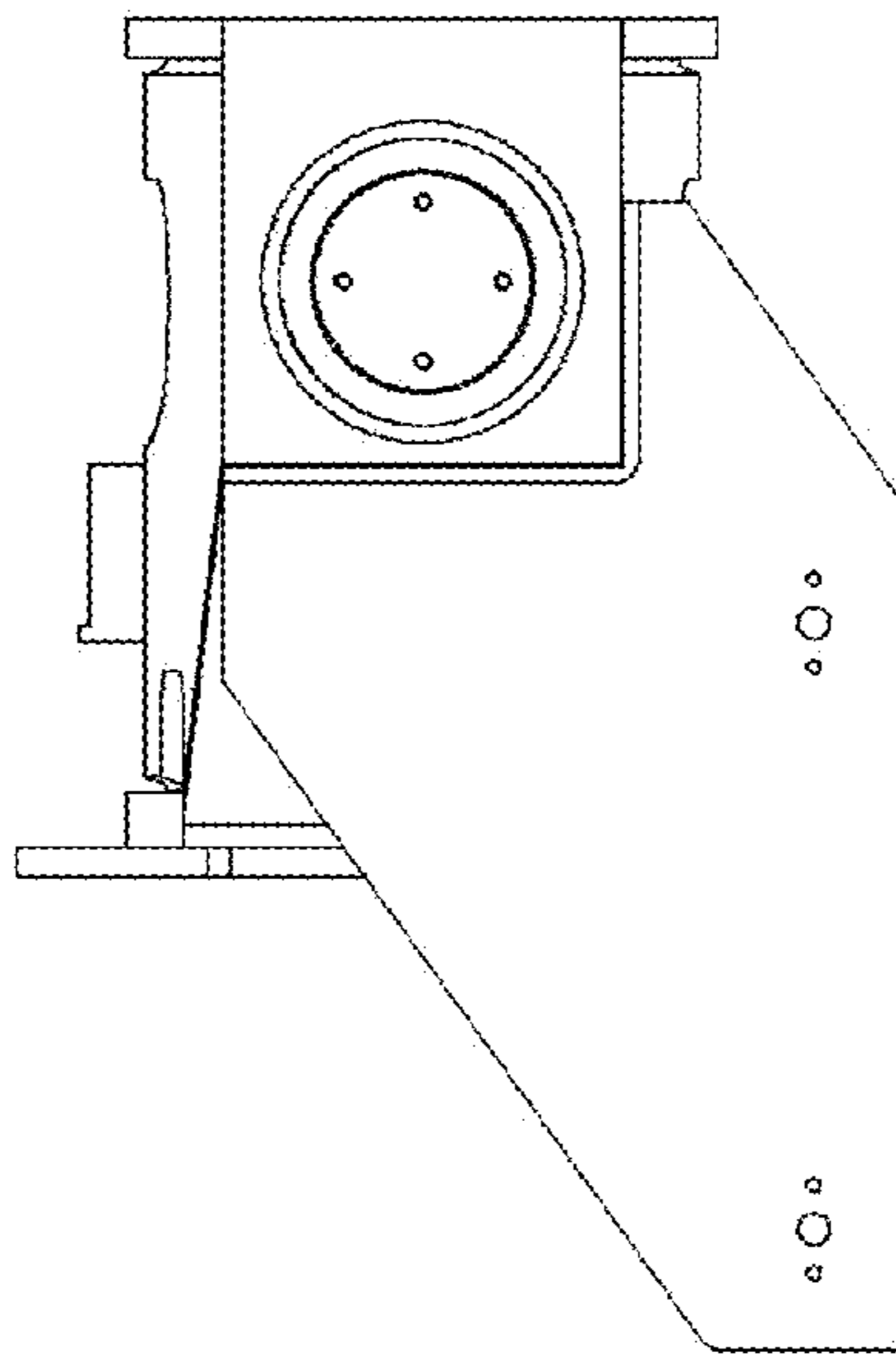


FIGURE 4

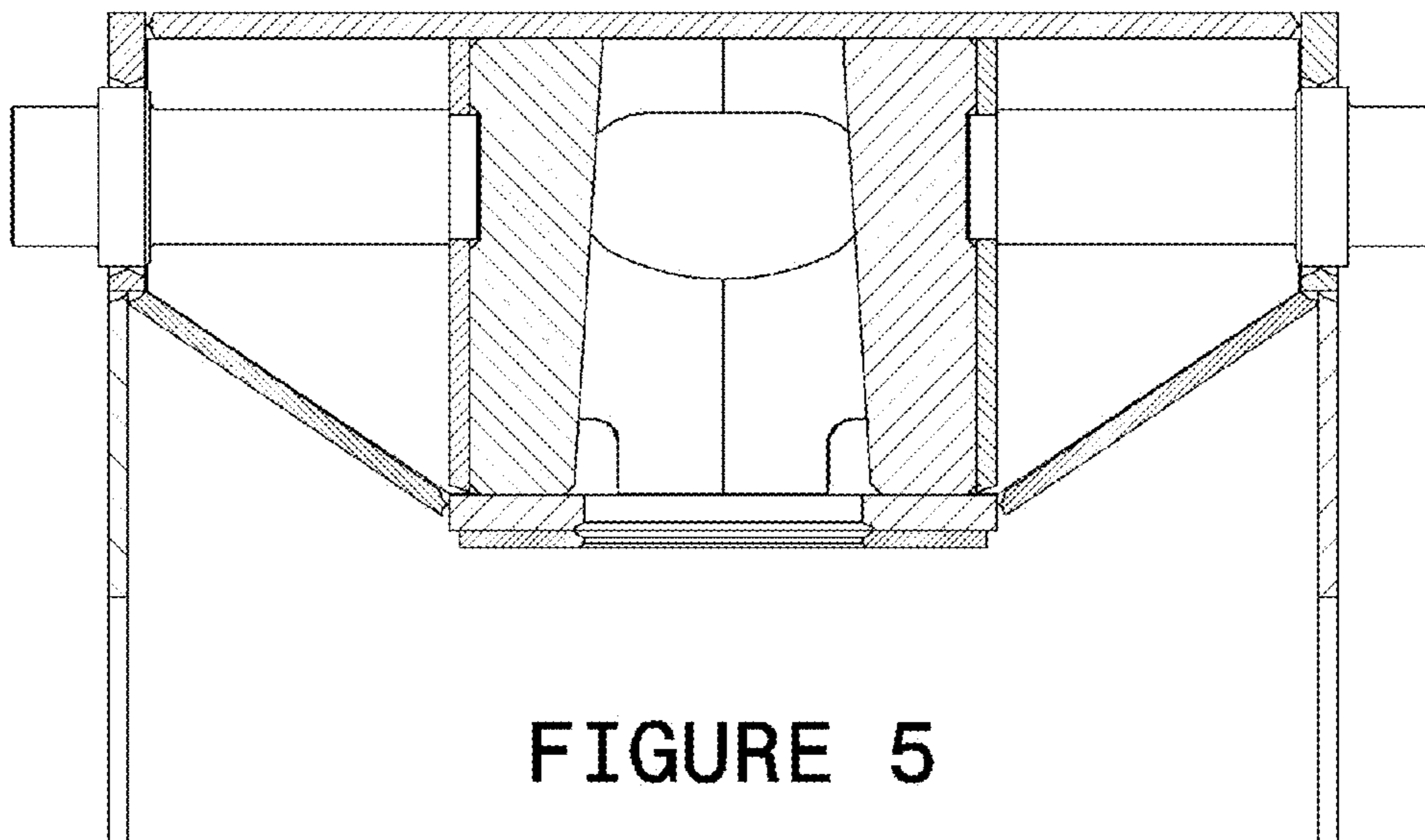


FIGURE 5

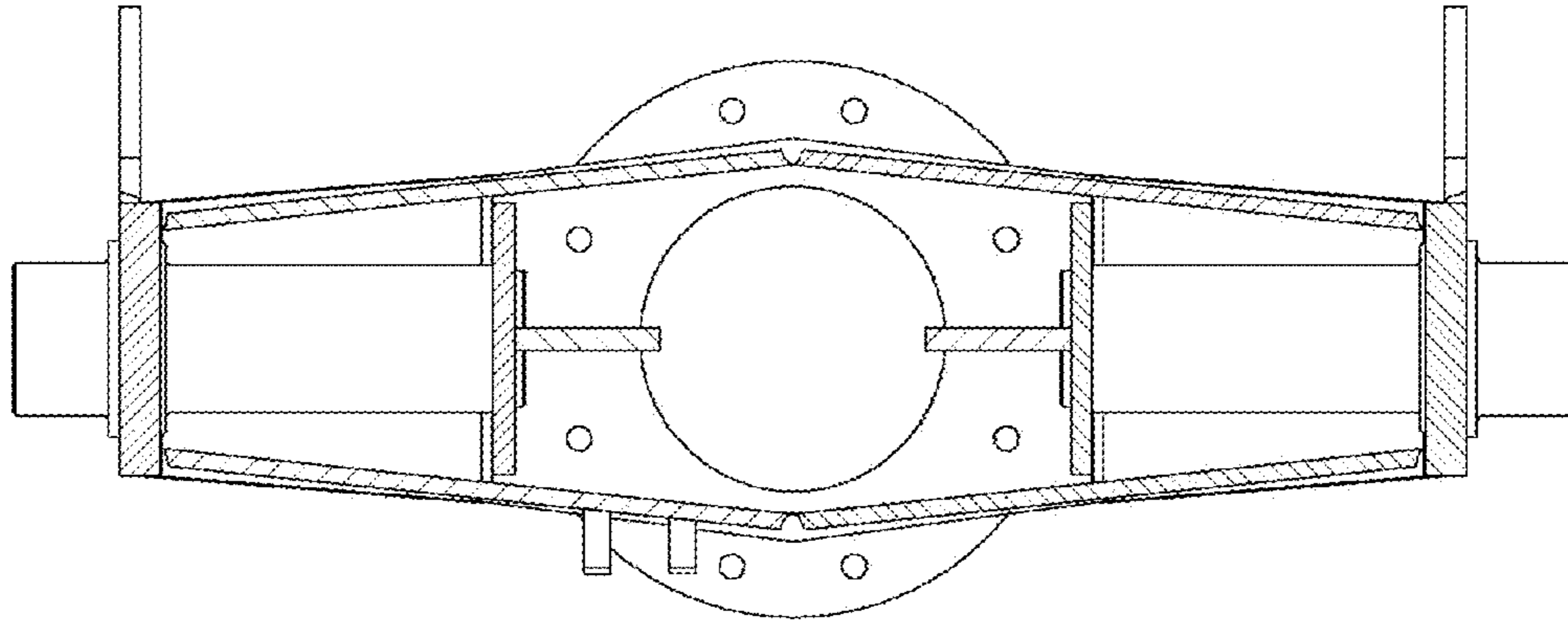


FIGURE 6

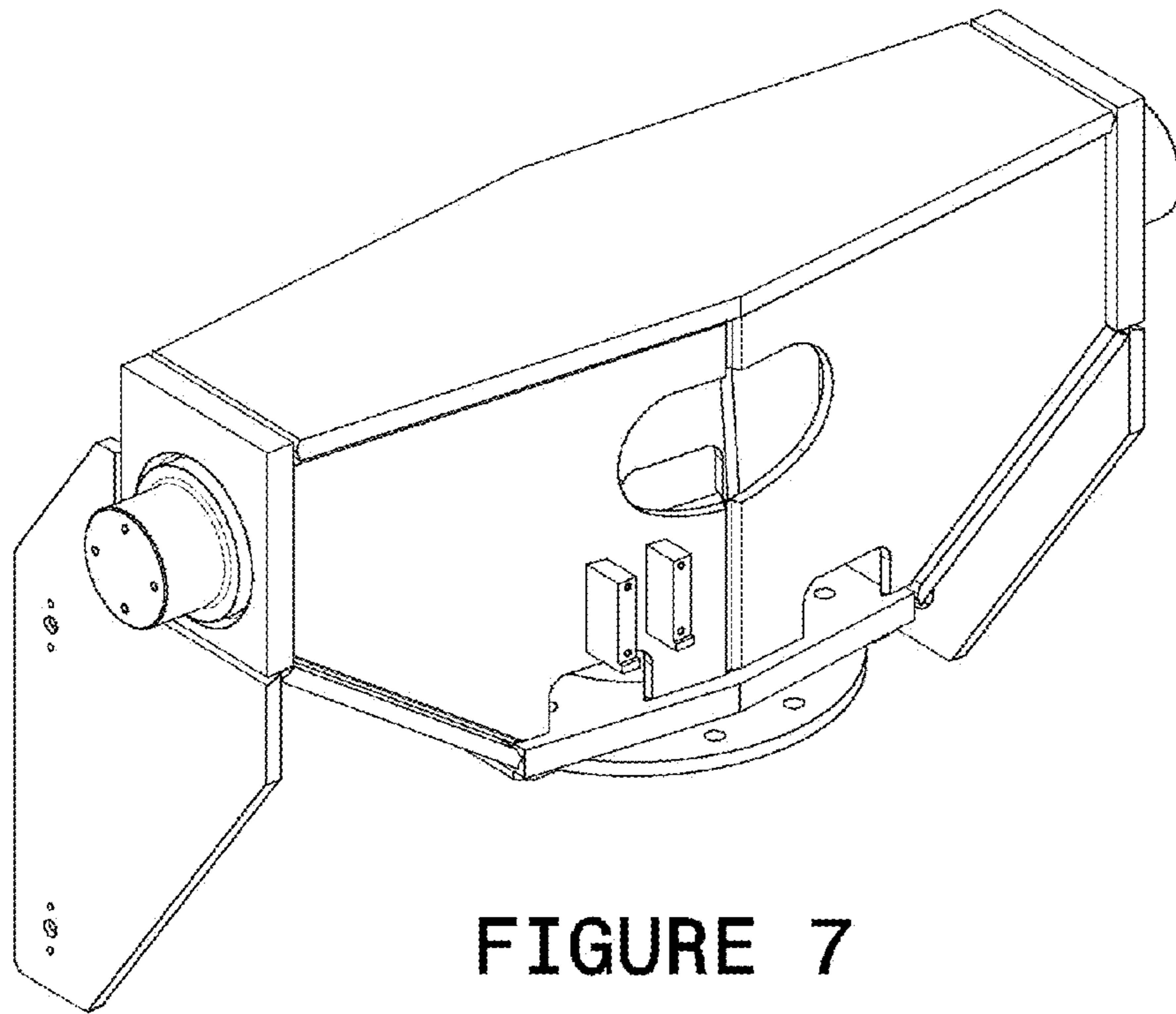


FIGURE 7

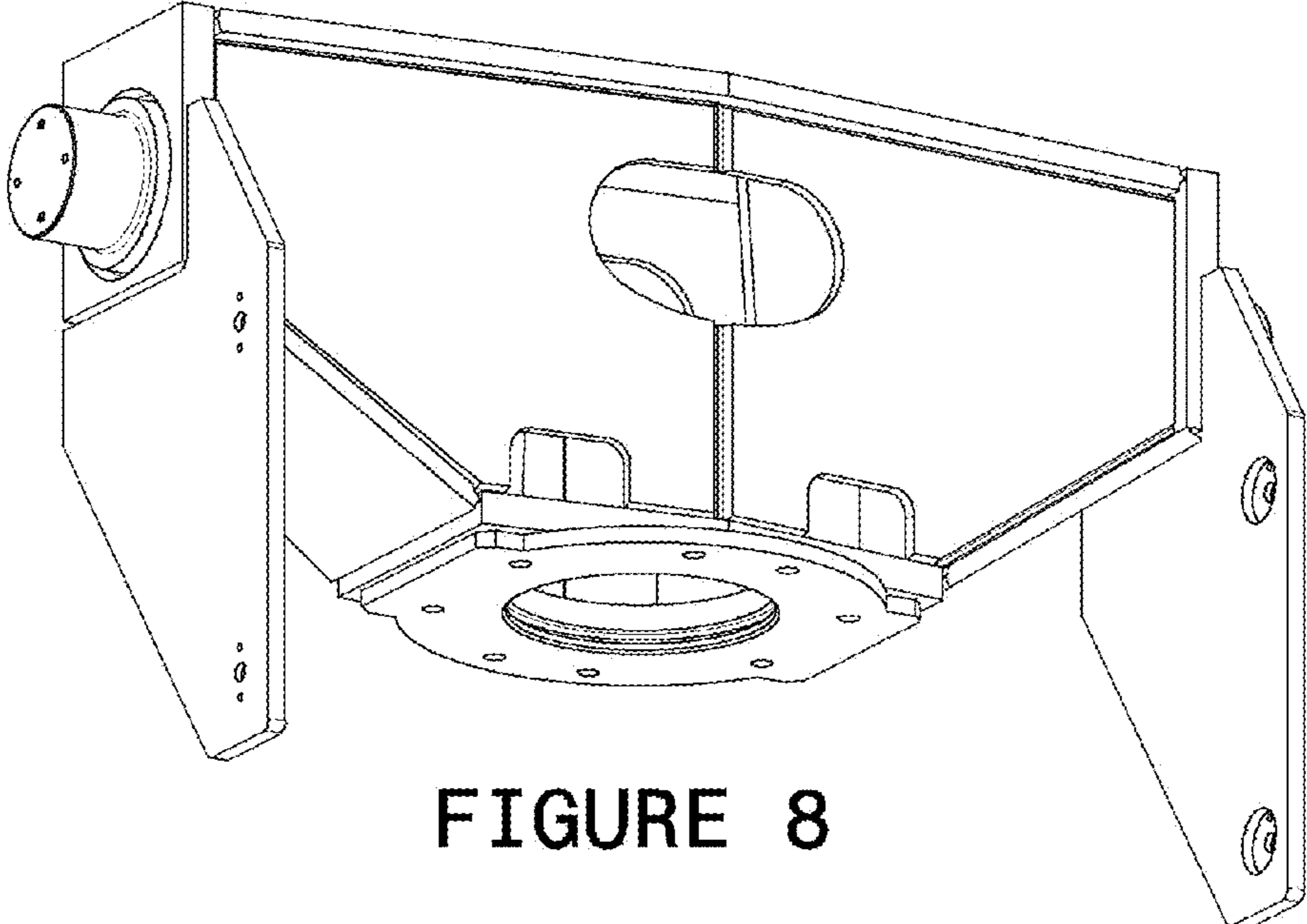


FIGURE 8