



US00D694300S

(12) **United States Design Patent**
Sathe

(10) **Patent No.:** **US D694,300 S**

(45) **Date of Patent:** **** Nov. 26, 2013**

(54) **PIGMENT DISPENSER**

(75) Inventor: **Sandip Shrikant Sathe**, San Felice sul Panaro (IT)

(73) Assignee: **CPS Color Equipment S.p.A. Socio Unico**, San Felice sul Parano, Modena (IT)

(**) Term: **14 Years**

(21) Appl. No.: **29/422,711**

(22) Filed: **May 23, 2012**

(30) **Foreign Application Priority Data**

Mar. 23, 2012 (WO) 660566601

(51) **LOC (9) Cl.** **15-99**

(52) **U.S. Cl.**
USPC **D15/199**

(58) **Field of Classification Search**

USPC D15/122, 147, 199; 366/208-218, 605;
222/14, 23, 52, 56, 63, 71, 135, 144,
222/144.5, 173, 181.1, 309, 333

See application file for complete search history.

(56) **References Cited**

U.S. PATENT DOCUMENTS

4,027,785 A * 6/1977 Edstrom et al. 222/135
D254,973 S * 5/1980 Ahrenskou-Sorensen ... D15/147
D262,628 S * 1/1982 Meyer D15/122

4,953,985 A * 9/1990 Miller 366/605
D327,895 S * 7/1992 Edstrom D15/199
5,328,057 A * 7/1994 Hellenberg et al. 222/135
D349,506 S * 8/1994 Caruso et al. D15/199
5,938,080 A * 8/1999 Haaser et al. 222/144
D450,731 S * 11/2001 Papaikonomou et al. ... D15/147
D472,253 S * 3/2003 Reedy et al. D15/147
D512,084 S * 11/2005 Kaufhold et al. D15/147

FOREIGN PATENT DOCUMENTS

EM 001156244 7/2009

* cited by examiner

Primary Examiner — Brian N Vinson

(74) *Attorney, Agent, or Firm* — Shoemaker and Mattare

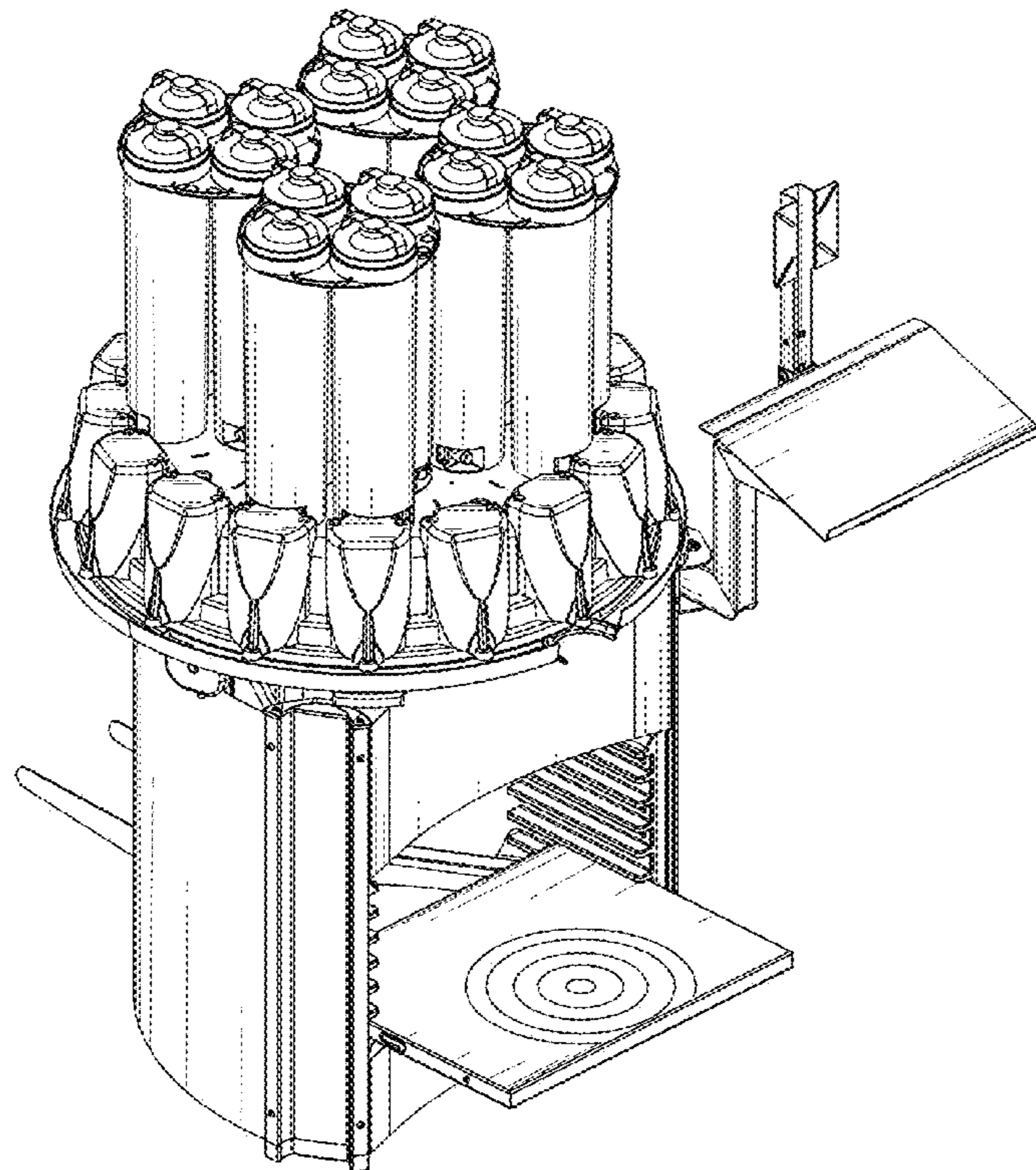
(57) **CLAIM**

The ornamental design for a pigment dispenser, as shown and described.

DESCRIPTION

FIG. 1 is a perspective view of a pigment dispenser, showing my new design from the front, top and right side; FIG. 2 is a right side elevational view thereof; FIG. 3 is a left side elevational view thereof; FIG. 4 is a front elevational view thereof; FIG. 5 is a rear elevational view thereof; FIG. 6 is a top plan view thereof; and, FIG. 7 is a bottom plan view thereof. Broken lines in the drawings represent details which form no part of the claimed design.

1 Claim, 7 Drawing Sheets



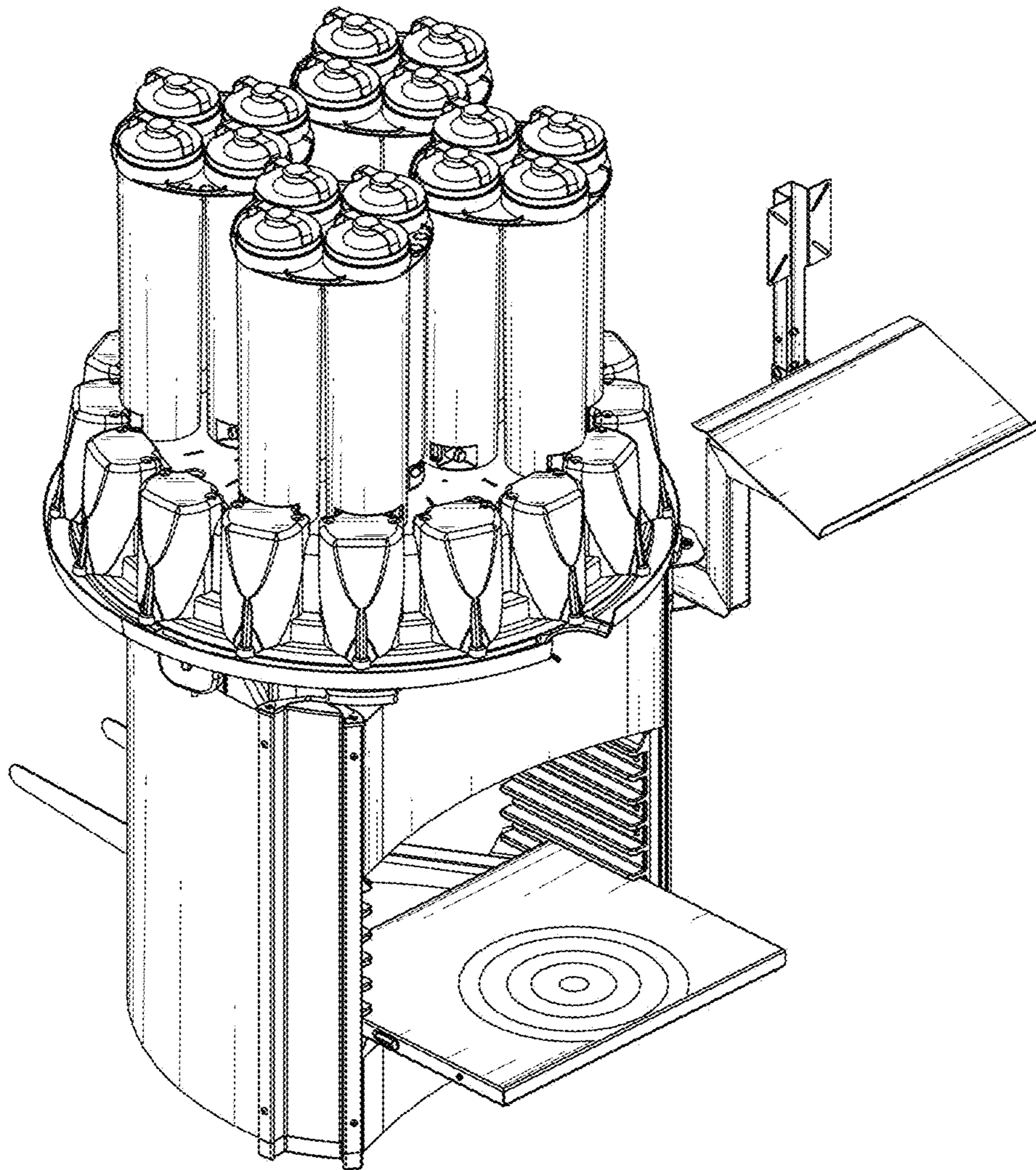


Fig. 1

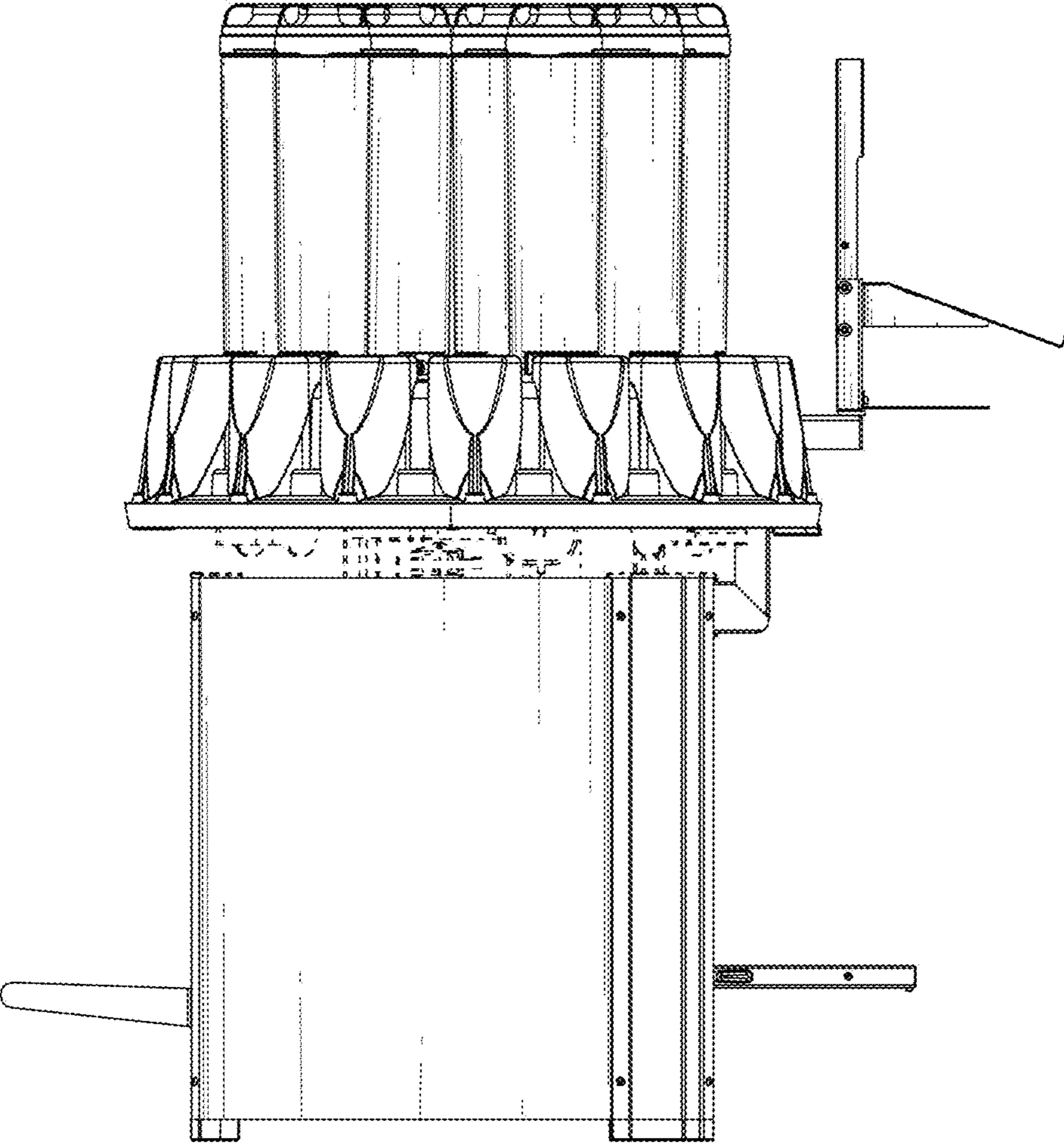


Fig. 2

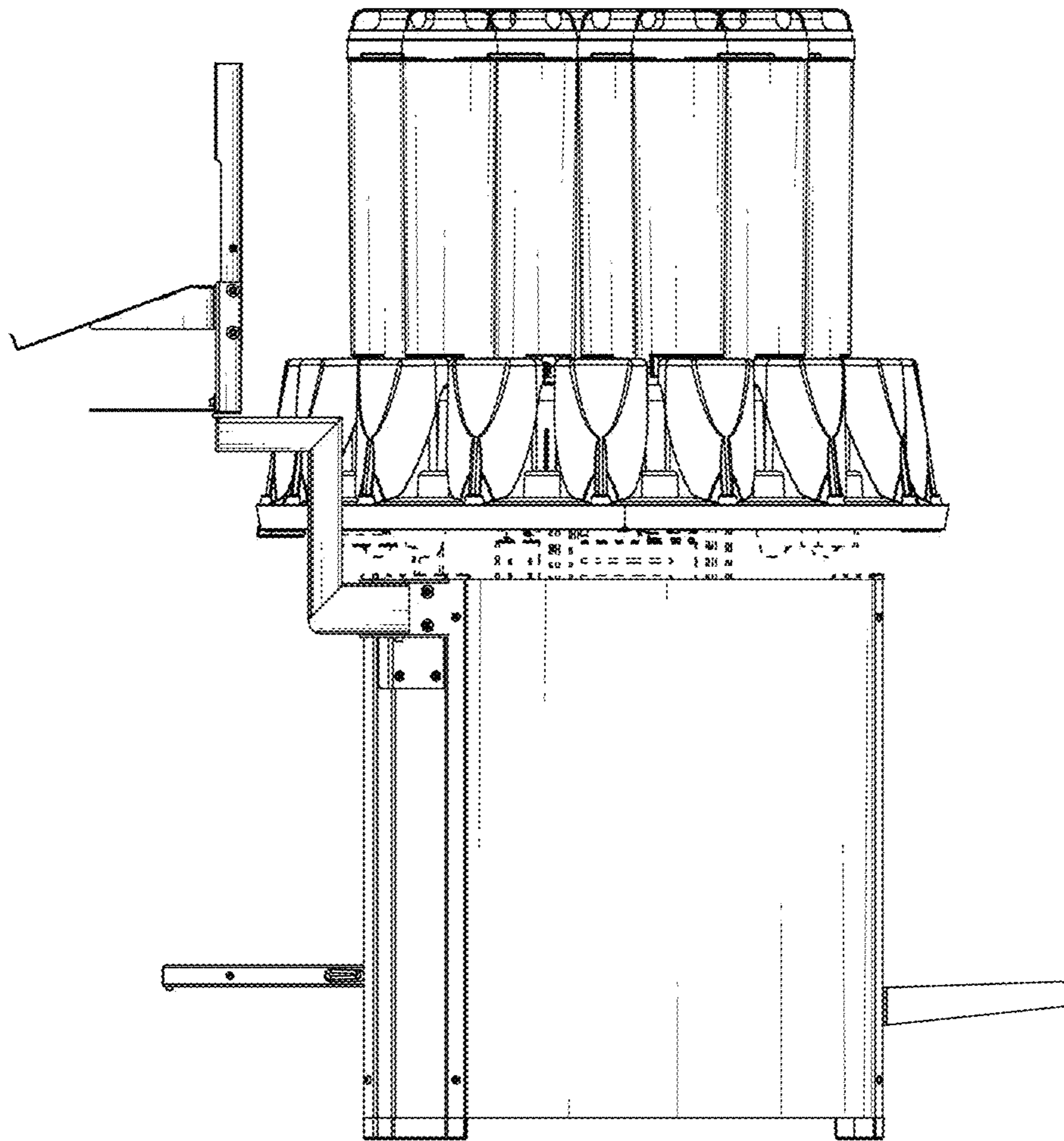


Fig. 3

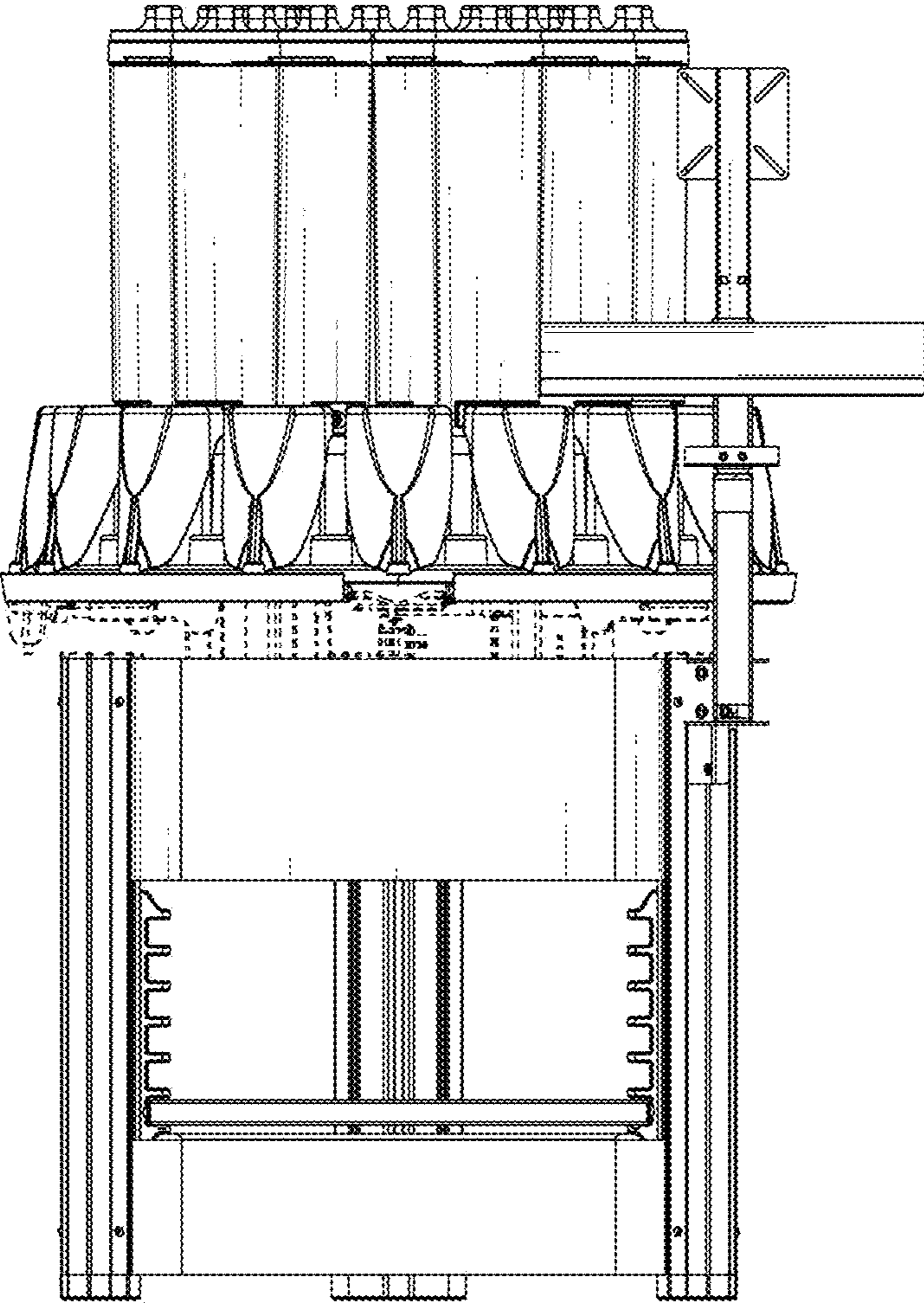


Fig. 4

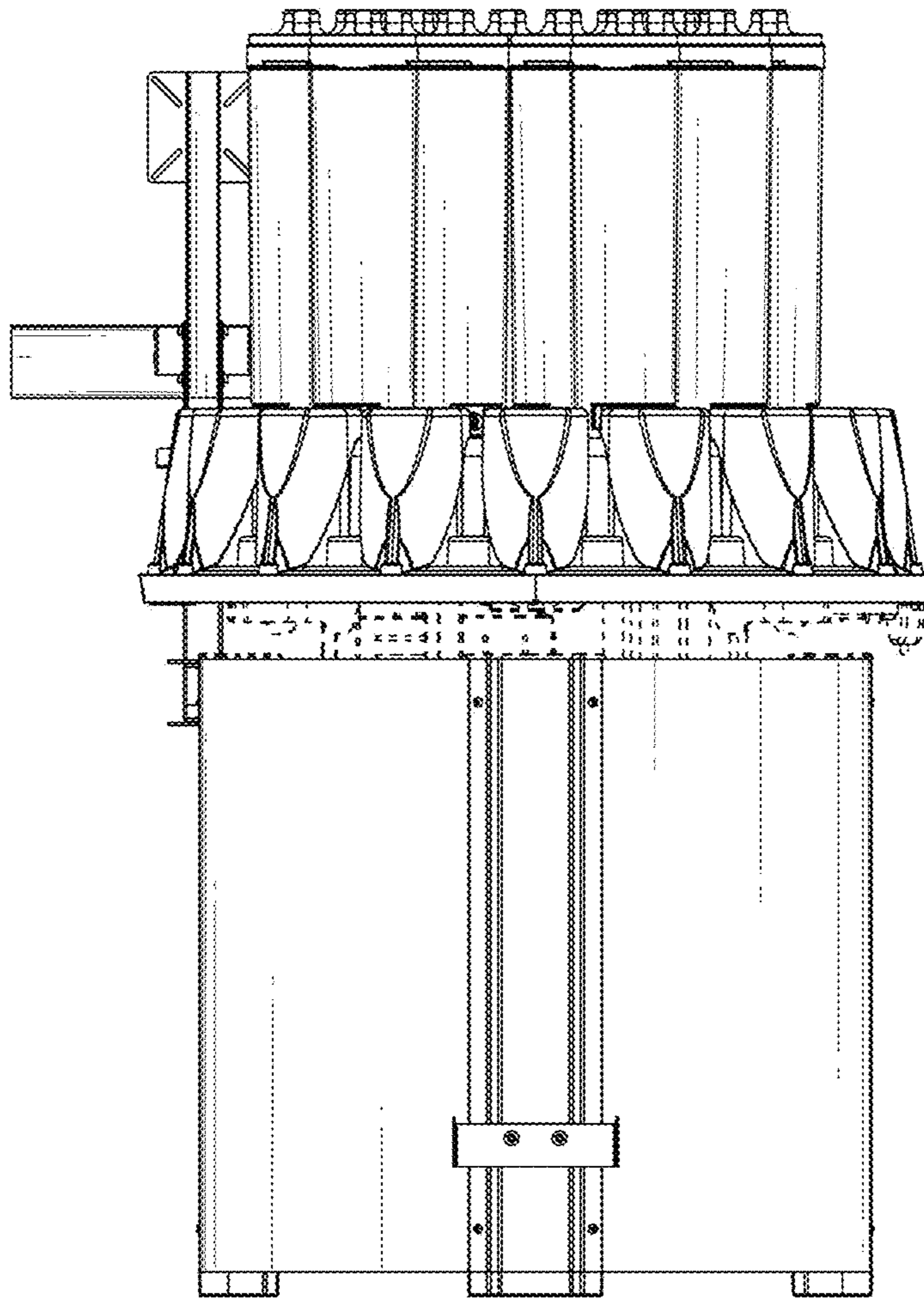


Fig. 5

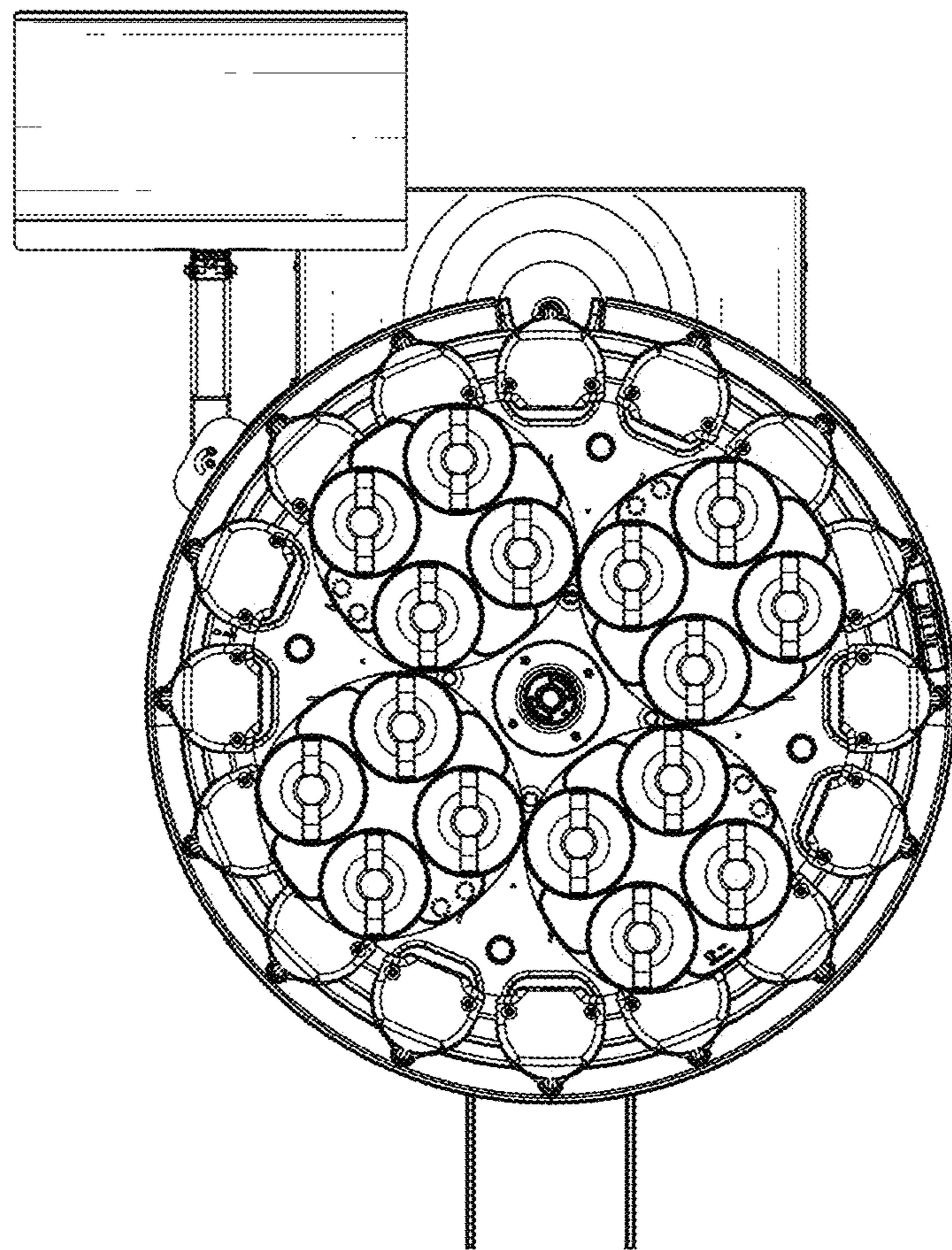


Fig. 6

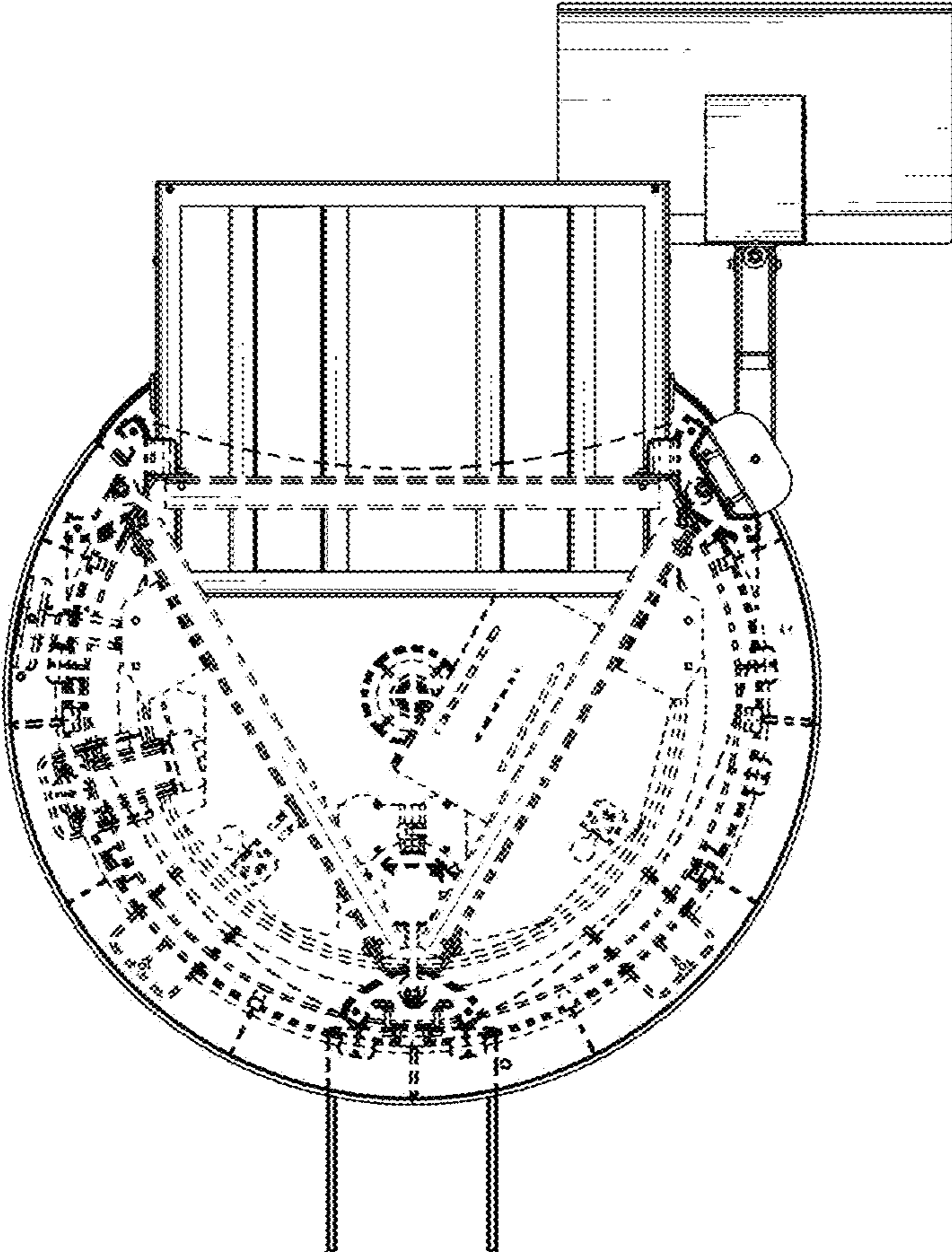


Fig. 7