



US00D694297S

(12) **United States Design Patent**
Coulter et al.

(10) **Patent No.:** **US D694,297 S**

(45) **Date of Patent:** **** Nov. 26, 2013**

(54) **ICE COMPARTMENT ASSEMBLY FOR REFRIGERATOR**

(71) Applicant: **Whirlpool Corporation**, St. Joseph, MI (US)

(72) Inventors: **Tim Lee Coulter**, Cedar Rapids, IA (US); **Thomas E. Gose**, Cedar Rapids, IA (US); **Steven G. Herndon**, Cedar Rapids, IA (US); **James H. Jenkins**, South Amana, IA (US); **Bill J. Koons**, Cedar Rapids, IA (US); **Brent A. Kramer**, Cedar Rapids, IA (US); **Scott W. Leimkuehler**, Swisher, IA (US); **Dean A. Martin**, Solon, IA (US); **Alvin V. Miller**, Swisher, IA (US); **Kevin Lee Noel**, Atkins, IA (US); **Mauro M. Oliveira**, Cedar Rapids, IA (US); **Lester J. Ott**, Swisher, IA (US); **Ron S. Paulsen**, Marengo, IA (US); **Chad J. Rotter**, Amana, IA (US); **David Allen Stauffer**, Belle Plaine, IA (US); **Kyle B. Van Meter**, Coralville, IA (US); **Alan M. Welch**, Lewistown, IL (US); **Robert L. Wetekamp**, Newburgh, IN (US)

(73) Assignee: **Whirlpool Corporation**, Benton Harbor, MI (US)

(**) Term: **14 Years**

(21) Appl. No.: **29/442,502**

(22) Filed: **Mar. 15, 2013**

Related U.S. Application Data

(63) Continuation of application No. 11/421,800, filed on Jun. 2, 2006, which is a continuation of application No. 11/139,237, filed on May 27, 2005, now Pat. No. 7,337,620, which is a continuation-in-part of application No. 11/131,701, filed on May 18, 2005, now Pat. No. 7,284,390.

(51) **LOC (9) Cl.** 15-07

(52) **U.S. Cl.**
USPC **D15/89**

(58) **Field of Classification Search**
USPC D15/79-89, 91; 62/344, 340, 135, 66, 62/137

See application file for complete search history.

(56) **References Cited**

U.S. PATENT DOCUMENTS

36,300	A *	8/1862	Hayden	474/232
2,689,669	A *	9/1954	Ericson	222/183
3,399,809	A *	9/1968	Simonich	222/639
3,476,295	A *	11/1969	Telfer	222/183
3,537,132	A *	11/1970	Alvarez	62/266
3,561,231	A *	2/1971	Webb	62/344
3,572,053	A *	3/1971	Jacobus et al.	62/344
3,640,088	A *	2/1972	Jacobus et al.	62/320
3,789,620	A *	2/1974	Benasutti et al.	62/344
3,942,334	A *	3/1976	Pink	62/266
4,069,545	A *	1/1978	Holet et al.	16/49

(Continued)

Primary Examiner — Mitchell Siegel

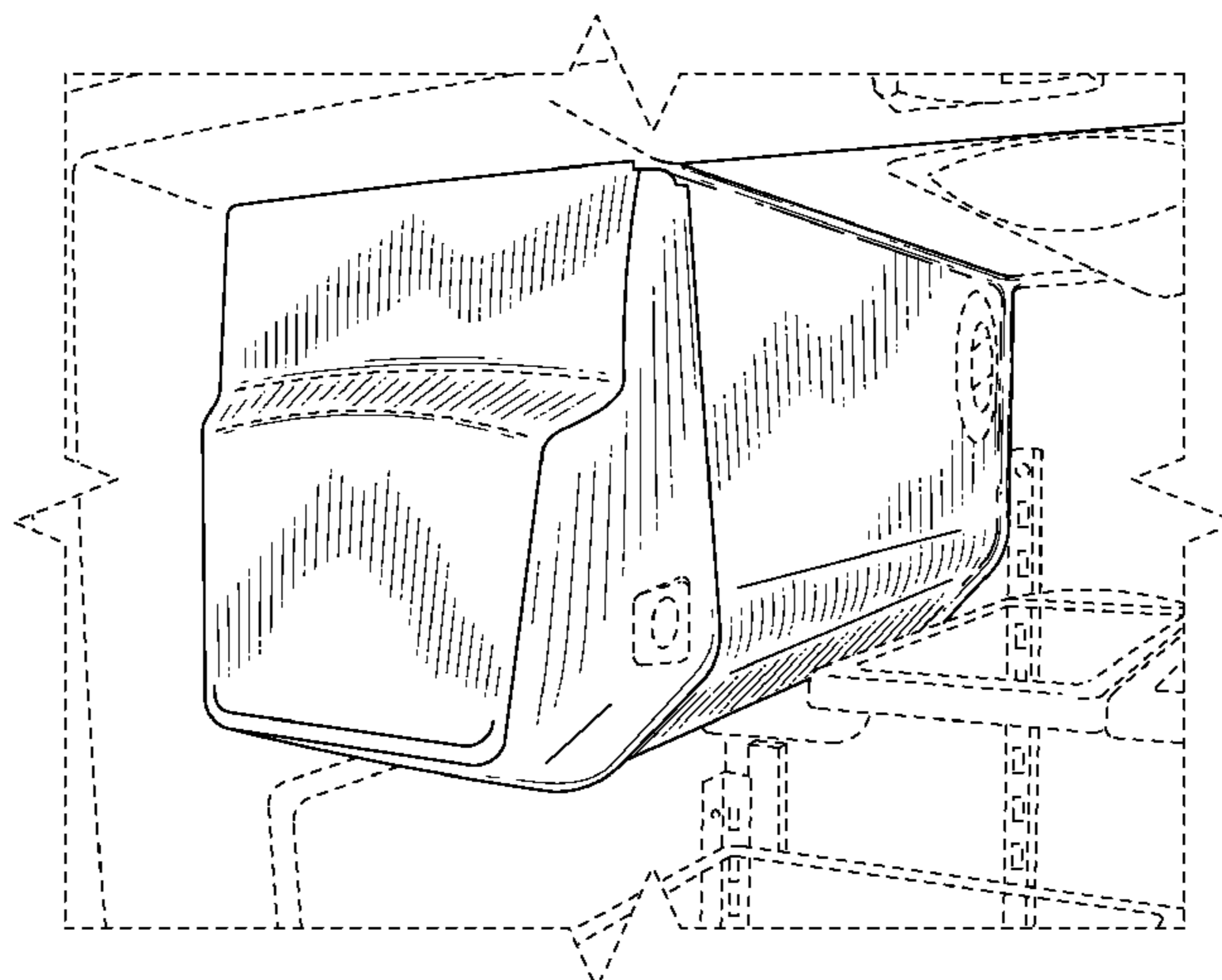
(57) **CLAIM**

We claim the ornamental design for an ice compartment assembly for a refrigerator, substantially as shown and described.

DESCRIPTION

FIG. 1 is a perspective view of an ice compartment assembly for a refrigerator of the present invention; FIG. 2 is a front elevational view thereof; FIG. 3 is a bottom plan view thereof; FIG. 4 is a right side elevational view thereof; and, FIG. 5 is another front elevational view thereof, showing the ice compartment assembly in an illustrative environment. The broken line portions of the drawings are for illustrative purposes only and form no part of the claimed design.

1 Claim, 5 Drawing Sheets



(56)

References Cited

U.S. PATENT DOCUMENTS

4,090,641	A *	5/1978	Lindenschmidt	222/504	6,978,626	B2 *	12/2005	Kim et al.	62/74
4,462,437	A *	7/1984	Prada	141/360	7,059,693	B2 *	6/2006	Park	312/405.1
4,706,169	A *	11/1987	Bussan et al.	362/26	7,065,975	B1 *	6/2006	Herndon et al.	62/66
4,851,662	A *	7/1989	Ott et al.	250/214 AL	7,076,967	B2 *	7/2006	Lee et al.	62/353
5,211,462	A *	5/1993	Bien et al.	312/404	7,100,379	B2 *	9/2006	Son et al.	62/74
5,272,888	A *	12/1993	Fisher et al.	62/344	7,137,272	B2 *	11/2006	Park et al.	62/389
5,273,219	A *	12/1993	Beach et al.	241/65	7,185,507	B2 *	3/2007	Maglinger et al.	62/344
5,353,689	A *	10/1994	Bolt et al.	92/85 R	7,194,868	B2 *	3/2007	Yoshida et al.	62/66
5,473,911	A *	12/1995	Unger	62/344	7,219,509	B2 *	5/2007	Pastryk et al.	62/344
5,474,213	A *	12/1995	Unger	222/108	7,228,702	B2 *	6/2007	Maglinger et al.	62/344
5,526,843	A *	6/1996	Wolf et al.	137/550	7,266,972	B2 *	9/2007	Anselmino et al.	62/344
5,526,854	A *	6/1996	Unger	141/351	7,284,390	B2 *	10/2007	Van Meter et al.	62/344
5,701,235	A *	12/1997	Hagemeyer Cook et al.	362/26	7,316,121	B2 *	1/2008	Lee et al.	62/344
5,768,900	A *	6/1998	Lee	62/137	7,337,620	B2 *	3/2008	Coulter et al.	62/137
5,836,669	A *	11/1998	Hed	362/92	7,340,914	B2 *	3/2008	Bowen et al.	62/389
5,941,619	A *	8/1999	Stieben et al.	312/223.6	7,418,830	B2 *	9/2008	Bowen et al.	62/344
5,967,371	A *	10/1999	Stephen	222/108	7,418,831	B2 *	9/2008	Bowen et al.	62/344
6,050,097	A *	4/2000	Nelson et al.	62/137	D582,443	S *	12/2008	Kim et al.	D15/89
6,095,673	A *	8/2000	Goto et al.	362/582	7,587,910	B2 *	9/2009	Bowen et al.	62/389
6,533,003	B1 *	3/2003	Jacobus et al.	141/360	7,610,774	B2 *	11/2009	Anderson et al.	62/440
6,679,082	B1 *	1/2004	Tunzi	62/344	7,617,698	B2 *	11/2009	Bowen et al.	62/264
6,726,341	B2 *	4/2004	Pashley et al.	362/92	7,703,297	B2 *	4/2010	Bowen et al.	62/344
6,735,959	B1 *	5/2004	Najewicz	62/3.63	7,980,089	B2 *	7/2011	Bowen et al.	62/344
6,789,634	B1 *	9/2004	Denton	175/371	8,011,202	B2 *	9/2011	Kim et al.	62/344
6,804,083	B2 *	10/2004	Takeya	360/122	D672,376	S *	12/2012	Ringemann et al.	D15/89
6,804,974	B1 *	10/2004	Voglewede et al.	62/264	2004/0237565	A1 *	12/2004	Lee et al.	62/344
6,836,083	B2 *	12/2004	Mukai	315/317	2005/0036300	A1 *	2/2005	Dowling et al.	362/101
6,895,767	B2 *	5/2005	Hu	62/135	2005/0056043	A1 *	3/2005	Lee et al.	62/344
6,964,177	B2 *	11/2005	Lee et al.	62/320	2005/0268638	A1 *	12/2005	Voglewede et al.	62/389
					2006/0090496	A1 *	5/2006	Adamski et al.	62/344
					2011/0271706	A1 *	11/2011	Bowen et al.	62/344

* cited by examiner

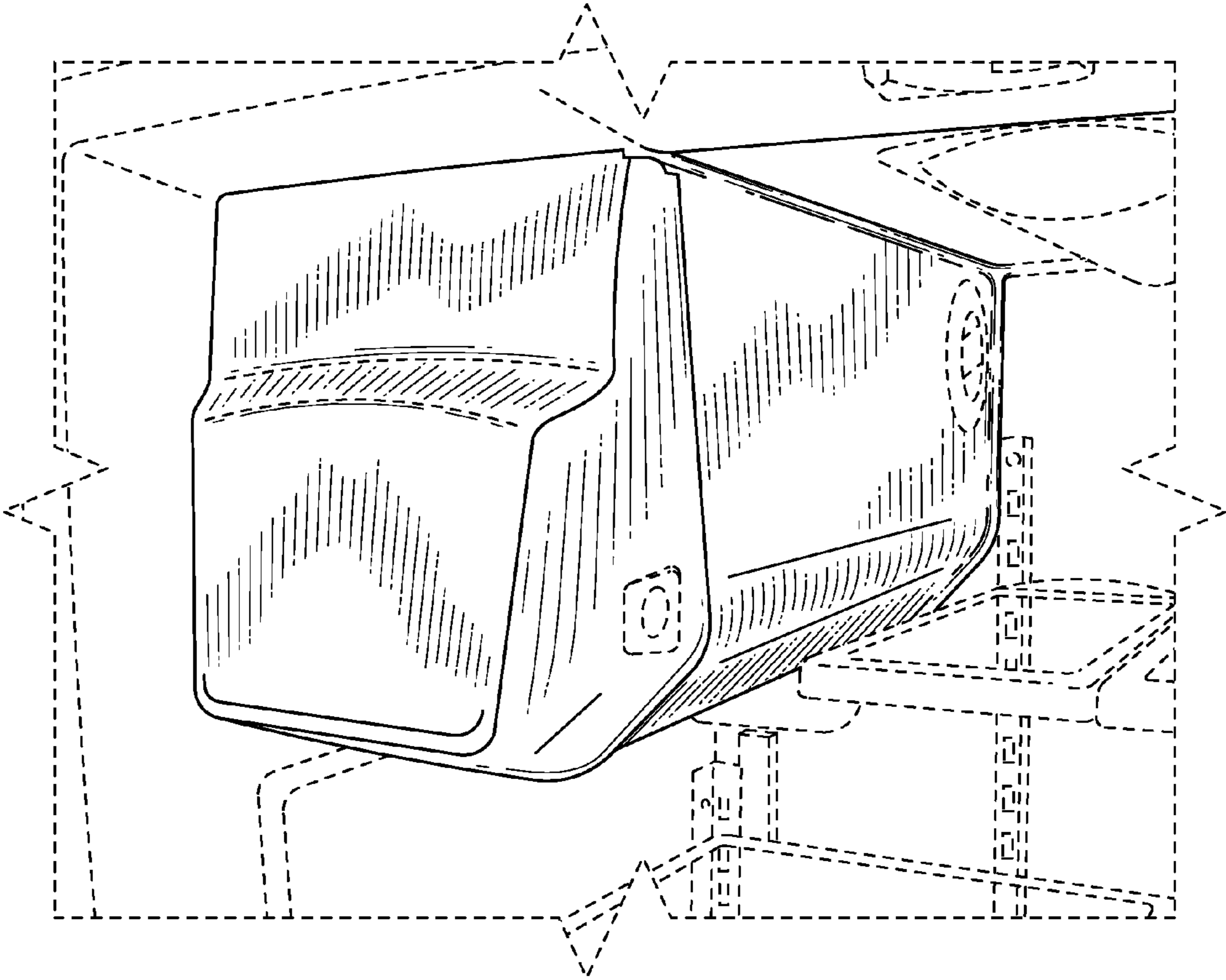


FIG. 1

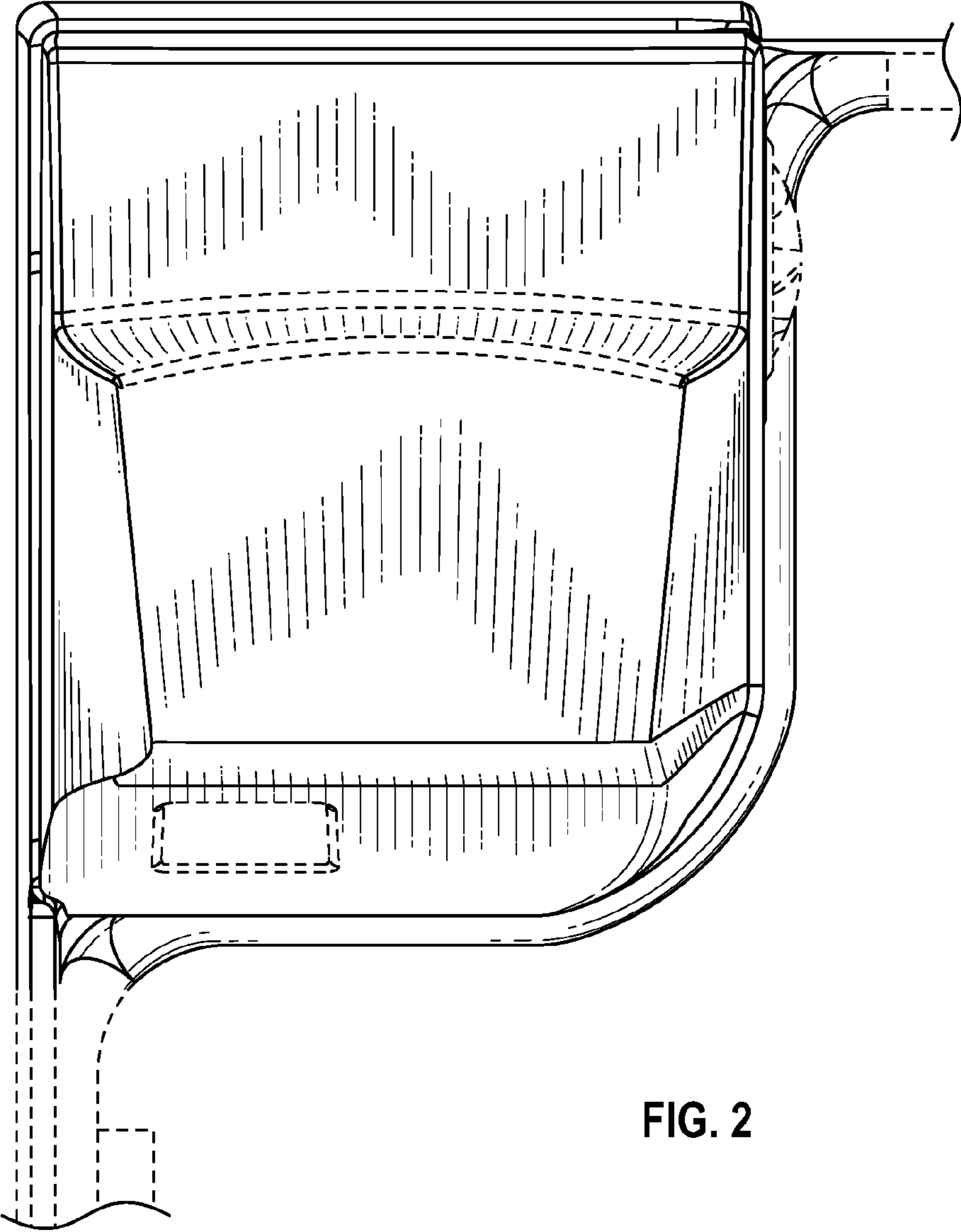


FIG. 2

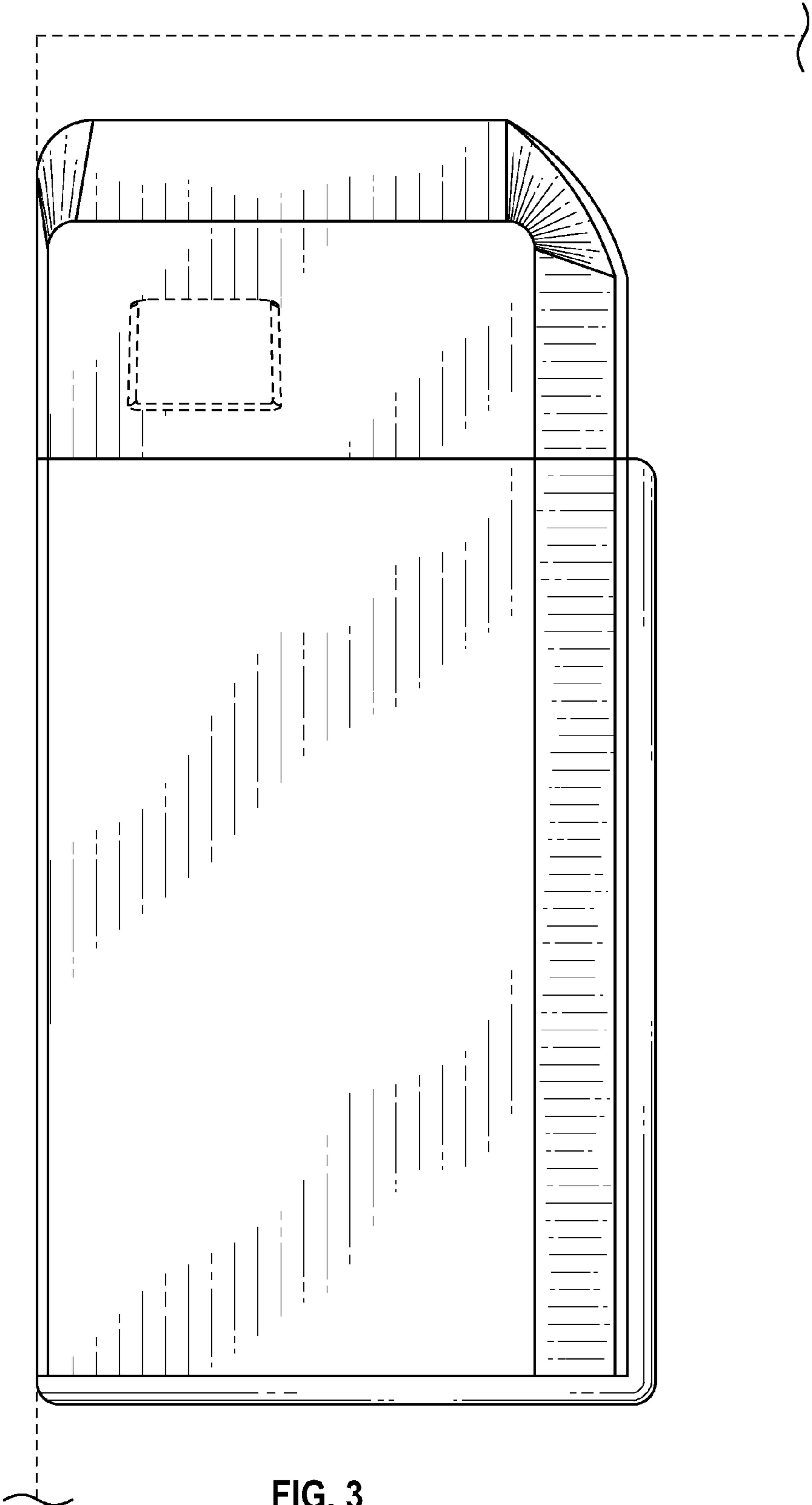


FIG. 3

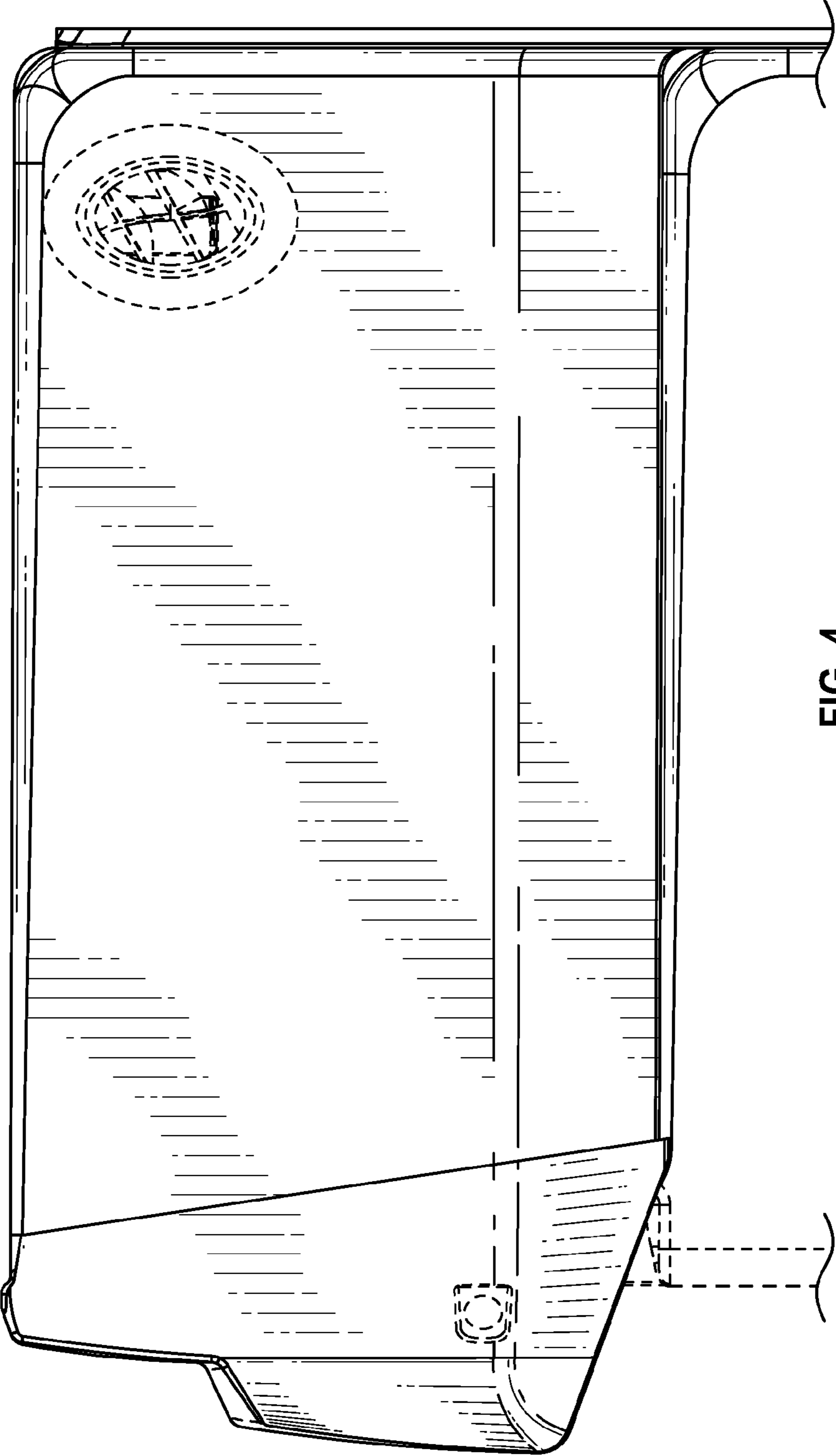


FIG. 4

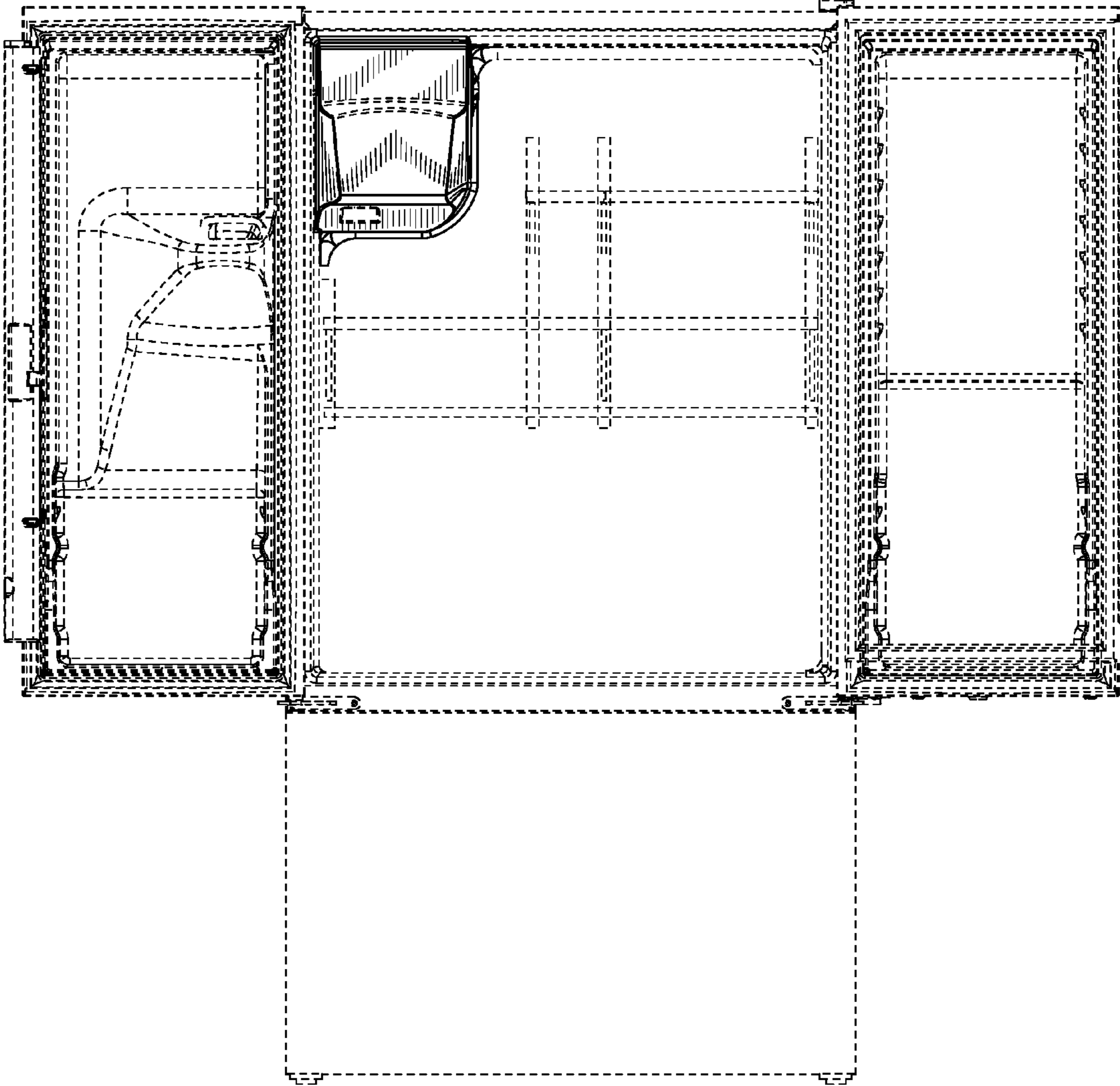


FIG. 5