



US00D694292S

(12) **United States Design Patent**
Eby et al.

(10) **Patent No.:** **US D694,292 S**

(45) **Date of Patent:** **** Nov. 26, 2013**

(54) **REFRIGERATOR SHELF**

(75) Inventors: **David C. Eby**, Madison, WI (US); **Terry D. Hardesty**, Columbus, WI (US)

(73) Assignee: **Sub-Zero, Inc.**, Madison, WI (US)

(**) Term: **14 Years**

(21) Appl. No.: **29/425,630**

(22) Filed: **Jun. 25, 2012**

(51) **LOC (9) Cl.** **15-07**

(52) **U.S. Cl.**
USPC **D15/89**

(58) **Field of Classification Search**
USPC D21/79-89, 91; 62/3.6, 125, 126, 187,
62/246-255, 441-445; 312/116, 138.1,
312/236, 321.5, 330.1, 400-409, 351,
312/139.2, 128.3; 211/153, 90.02
See application file for complete search history.

(56) **References Cited**

U.S. PATENT DOCUMENTS

D142,904 S *	11/1945	Paddock	D15/89
D309,461 S *	7/1990	Bussan et al.	D15/89
5,332,611 A *	7/1994	Shanok et al.	428/122
5,429,433 A *	7/1995	Bird et al.	312/408
5,540,493 A *	7/1996	Kane et al.	312/408
5,677,030 A *	10/1997	Shanok et al.	428/122
5,735,589 A *	4/1998	Herrmann et al.	312/408
5,769,520 A *	6/1998	Jun et al.	312/408
5,913,584 A *	6/1999	Swindell et al.	312/408
6,105,233 A *	8/2000	Neal	29/451
D484,151 S *	12/2003	Becke	D15/89
D495,720 S *	9/2004	Avalos Barcenas et al.	...	D15/89
D515,598 S *	2/2006	Vardon	D15/89
D515,599 S *	2/2006	Vardon	D15/89
D516,100 S *	2/2006	Vardon	D15/89

D516,101 S *	2/2006	Vardon	D15/89
D516,102 S *	2/2006	Vardon	D15/89
D523,034 S *	6/2006	Vardon	D15/89
D523,450 S *	6/2006	Vardon	D15/89
D525,269 S *	7/2006	Vardon	D15/89
D525,633 S *	7/2006	Vardon	D15/89
D550,727 S *	9/2007	Vardon	D15/91
D557,293 S *	12/2007	Vardon	D15/89
D559,280 S *	1/2008	Vardon	D15/89
D559,281 S *	1/2008	Vardon	D15/89
D559,282 S *	1/2008	Vardon	D15/89
D562,854 S *	2/2008	Vardon	D15/89
D568,344 S *	5/2008	Baacke et al.	D15/89

(Continued)

Primary Examiner — Mitchell Siegel

(74) *Attorney, Agent, or Firm* — Bell & Manning, LLC

(57) **CLAIM**

We claim the ornamental design for a refrigerator shelf, as shown and described.

DESCRIPTION

FIG. 1 is a perspective view of a refrigerator shelf showing our new design in its environment;

FIG. 2 is a second perspective view of the refrigerator shelf showing our new design;

FIG. 3 is a front view of the refrigerator shelf of FIG. 2;

FIG. 4 is a back view of the refrigerator shelf of FIG. 2;

FIG. 5 is a left side view of the refrigerator shelf of FIG. 2;

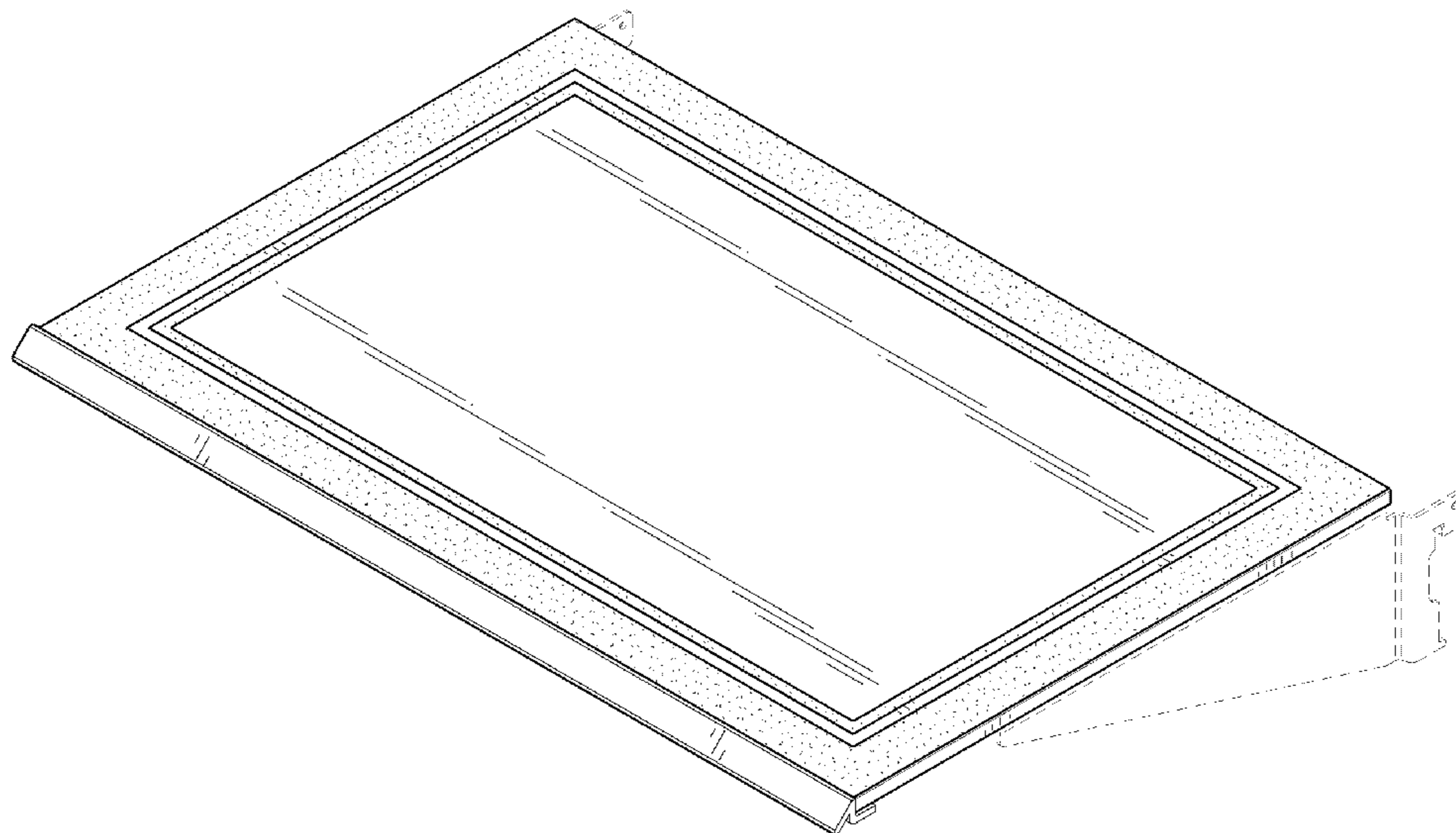
FIG. 6 is a right side view of the refrigerator shelf of FIG. 2;

FIG. 7 is a top view of the refrigerator shelf of FIG. 2; and,

FIG. 8 is a bottom view of the refrigerator shelf of FIG. 2.

The broken lines in FIG. 1 are included for the purpose of illustrating portions of the refrigerator shelf that form no part of the claimed design. The broken lines in FIG. 1 represent the environment. None of the broken lines form a part of the claimed design.

1 Claim, 6 Drawing Sheets



US D694,292 S

Page 2

(56)

References Cited

U.S. PATENT DOCUMENTS

D577,744 S * 9/2008 Baacke et al. D15/89
D607,020 S * 12/2009 Baacke et al. D15/89
D612,404 S * 3/2010 Picken et al. D15/89

D612,405 S * 3/2010 Eicher D15/89
D613,316 S * 4/2010 Schmidt D15/89
8,286,561 B2 * 10/2012 Driver et al. 108/27
2003/0222043 A1 * 12/2003 Rouch et al. 211/153

* cited by examiner

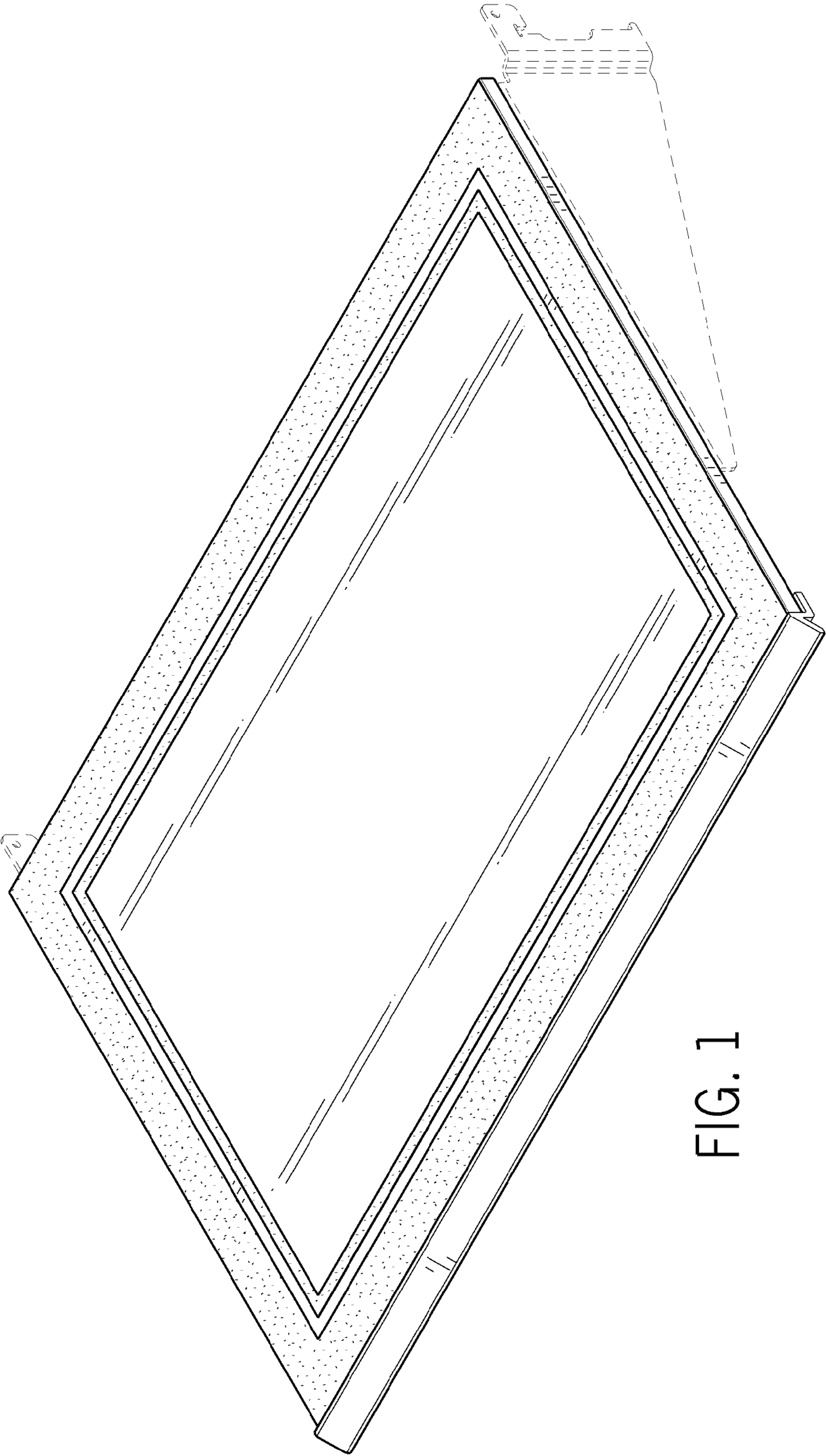


FIG. 1

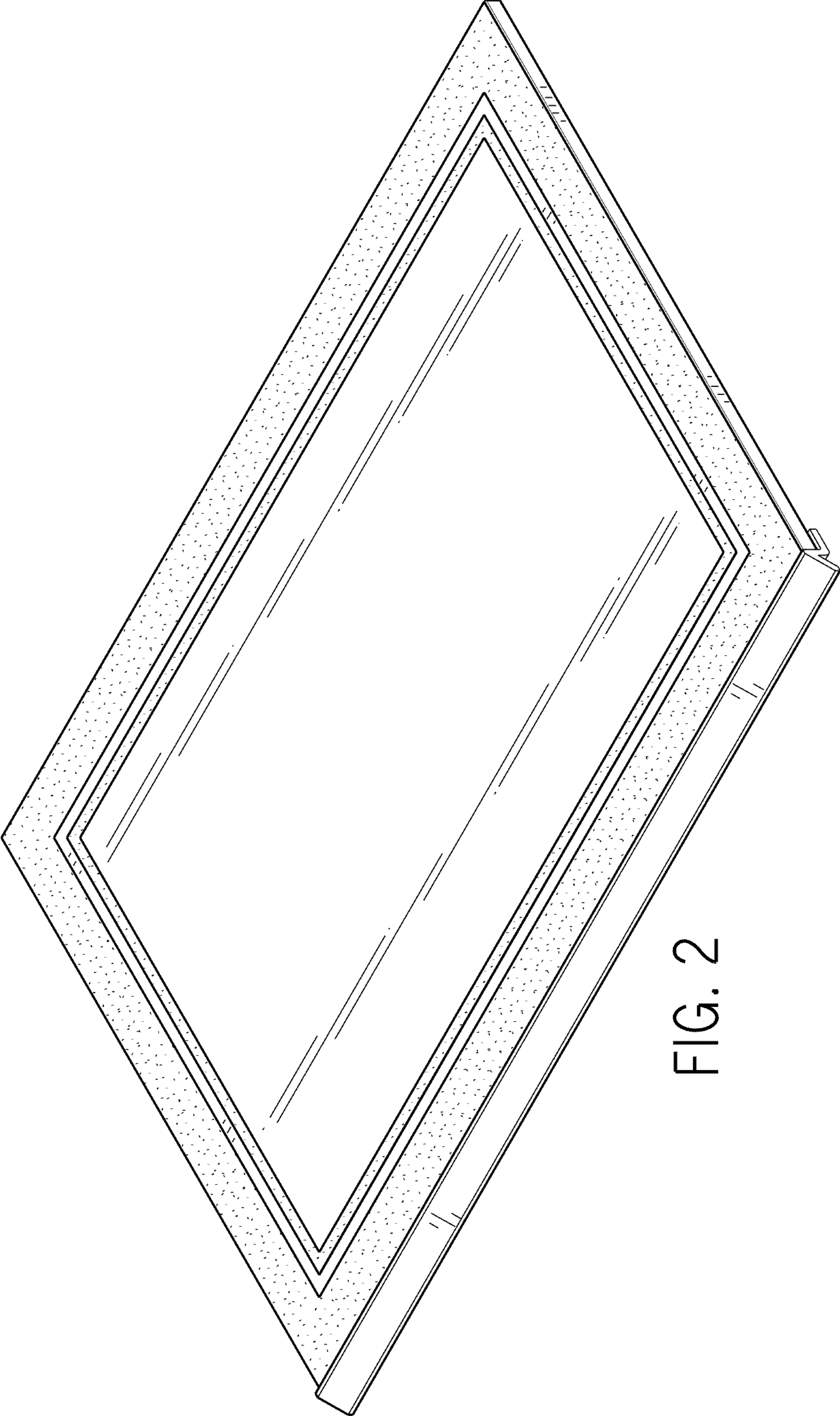


FIG. 2



FIG. 3

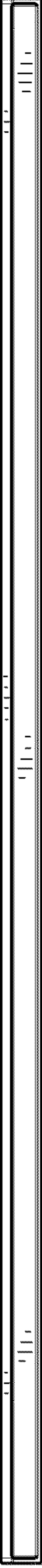


FIG. 4



FIG. 6

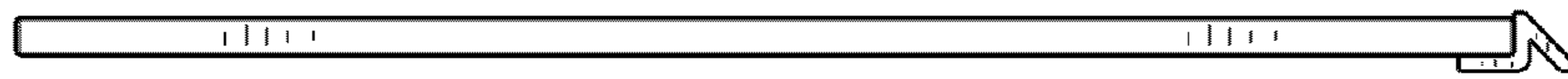


FIG. 5

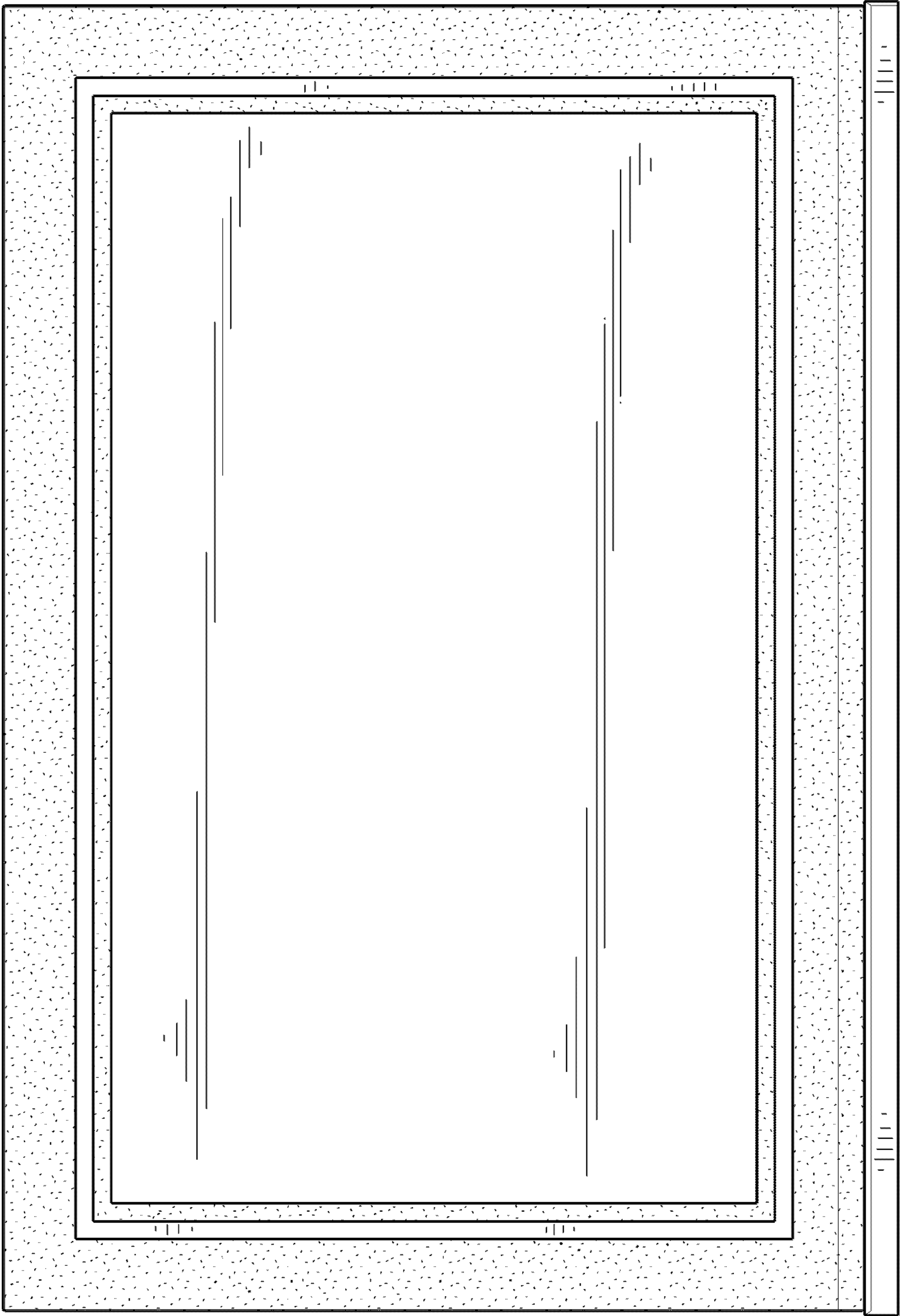


FIG. 7

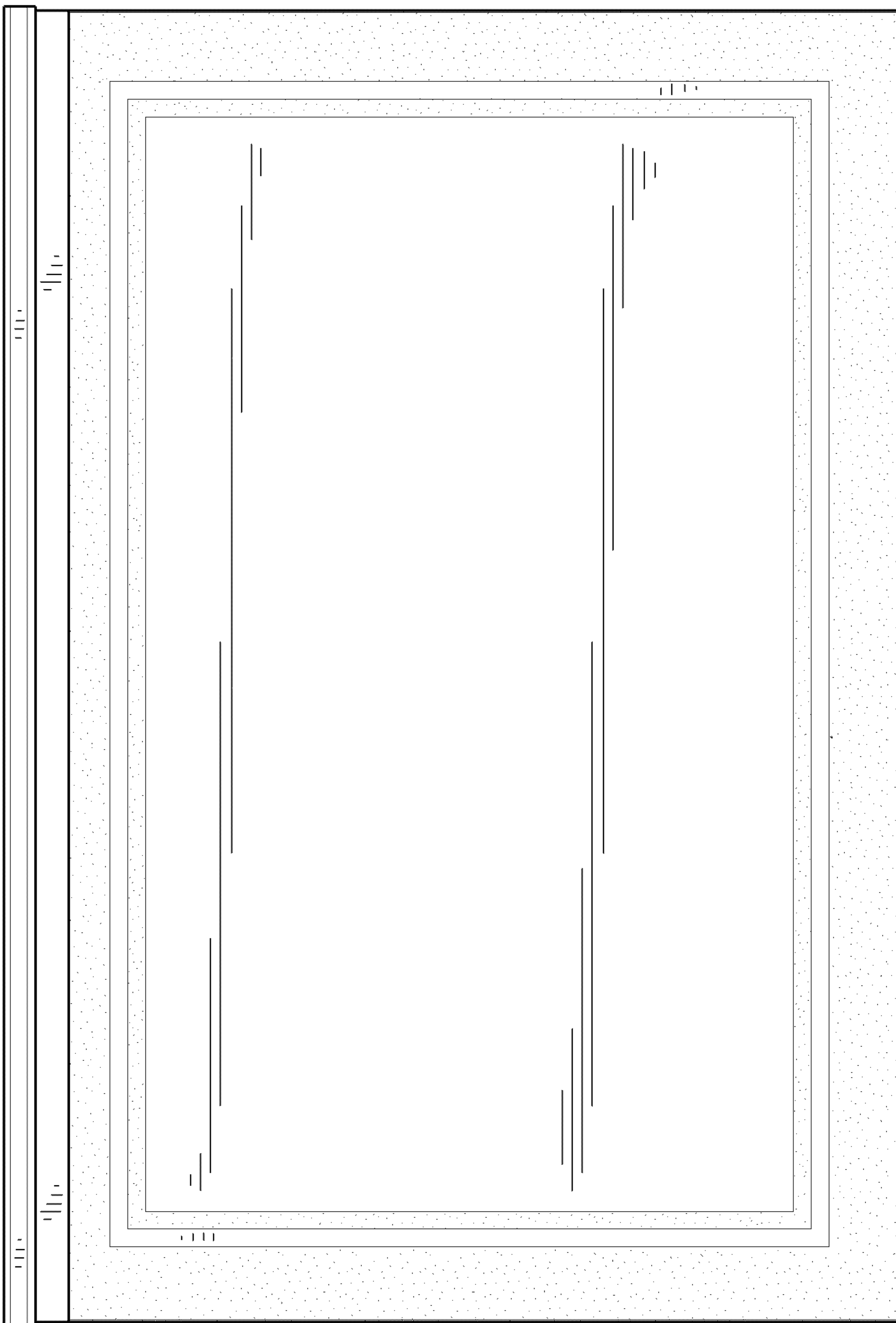


FIG. 8