



US00D694290S

(12) **United States Design Patent**  
**Hottmann et al.**

(10) **Patent No.:** **US D694,290 S**

(45) **Date of Patent:** **\*\* Nov. 26, 2013**

(54) **FREEZER SHELF**

(75) Inventors: **Philip F. Hottmann**, Verona, WI (US);  
**Alan Wood**, Cottage Grove, WI (US)

(73) Assignee: **Sub-Zero, Inc.**, Madison, WI (US)

(\*\*) Term: **14 Years**

(21) Appl. No.: **29/425,621**

(22) Filed: **Jun. 25, 2012**

(51) **LOC (9) Cl.** ..... **15-07**

(52) **U.S. Cl.**  
USPC ..... **D15/89**

(58) **Field of Classification Search**

USPC ..... D21/79-89, 91; 62/3.6, 125, 126, 187,  
62/246-255, 441-445; 312/116, 138.1,  
312/236, 321.5, 330.1, 400-409, 351,  
312/139.2, 128.3; 211/153, 90.02

See application file for complete search history.

(56) **References Cited**

**U.S. PATENT DOCUMENTS**

D101,136 S *	9/1936	Peltier .....	D15/89
2,215,931 A *	9/1940	Money .....	211/153
2,564,473 A *	8/1951	Ferguson .....	312/408
D207,364 S *	4/1967	Wagner et al. ....	D15/89
5,004,302 A *	4/1991	Stocking et al. ....	312/408
5,553,936 A *	9/1996	Dasher et al. ....	312/408

5,584,405 A *	12/1996	Tunzi .....	211/153
5,769,520 A *	6/1998	Jun et al. ....	312/408
7,237,856 B2 *	7/2007	Bienick et al. ....	312/408
D607,020 S *	12/2009	Baacke et al. ....	D15/89
7,900,783 B2 *	3/2011	Fernandez et al. ....	211/90.02

\* cited by examiner

*Primary Examiner* — Mitchell Siegel

(74) *Attorney, Agent, or Firm* — Bell & Manning, LLC

(57) **CLAIM**

We claim the ornamental design for a freezer shelf, as shown and described.

**DESCRIPTION**

FIG. 1 is a perspective view of a freezer shelf showing our new design in its environment;

FIG. 2 is a front view of the freezer shelf of FIG. 1;

FIG. 3 is a back view of the freezer shelf of FIG. 1;

FIG. 4 is a left side view of the freezer shelf of FIG. 1;

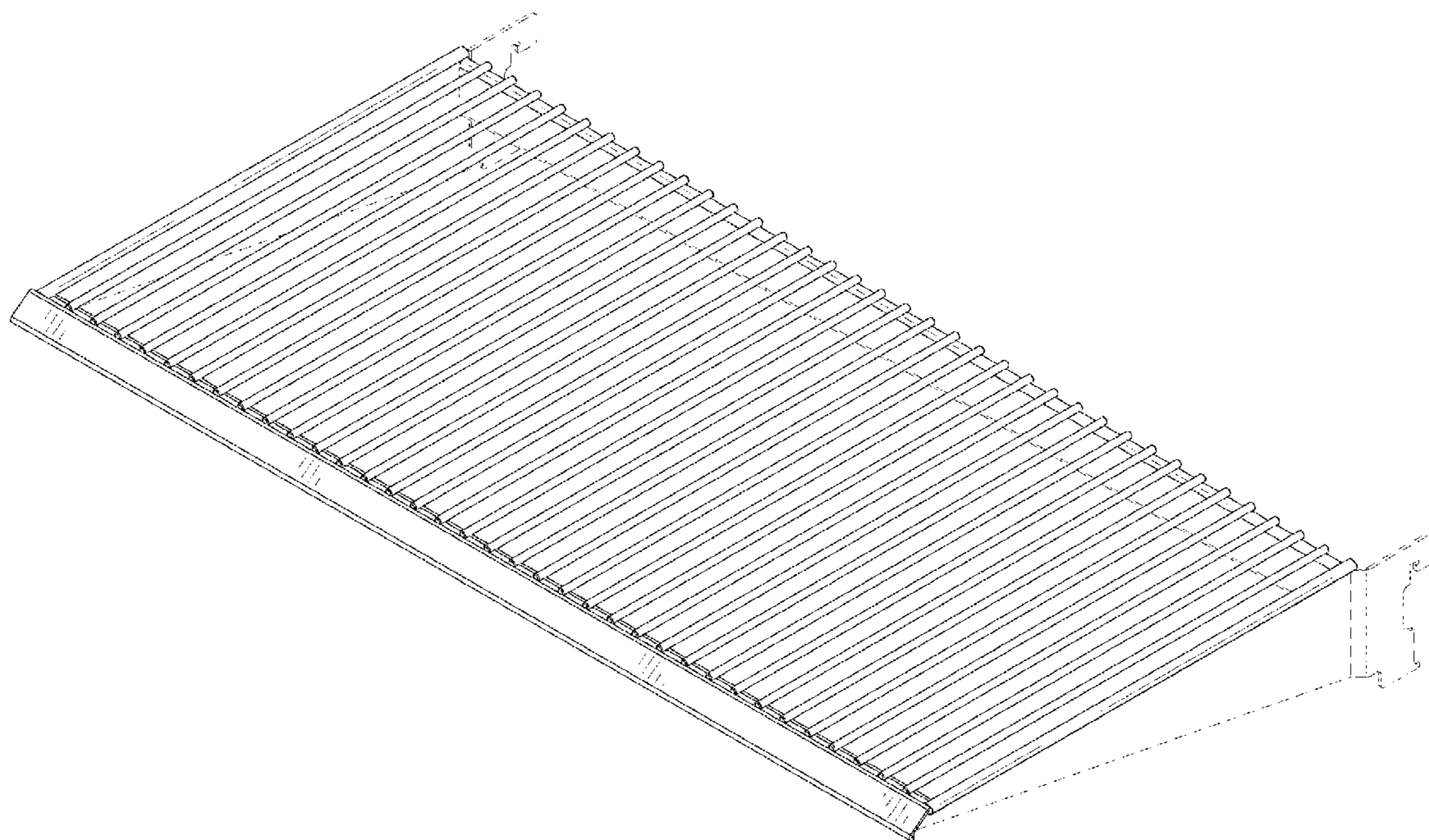
FIG. 5 is a right side view of the freezer shelf of FIG. 1;

FIG. 6 is a top view of the freezer shelf of FIG. 1; and,

FIG. 7 is a bottom view of the freezer shelf of FIG. 1.

The broken lines in FIGS. 1 to 7 are included for the purpose of illustrating portions of the freezer shelf that form no part of the claimed design. The broken lines in FIGS. 1 to 7 represent the environment. None of the broken lines form a part of the claimed design.

**1 Claim, 5 Drawing Sheets**



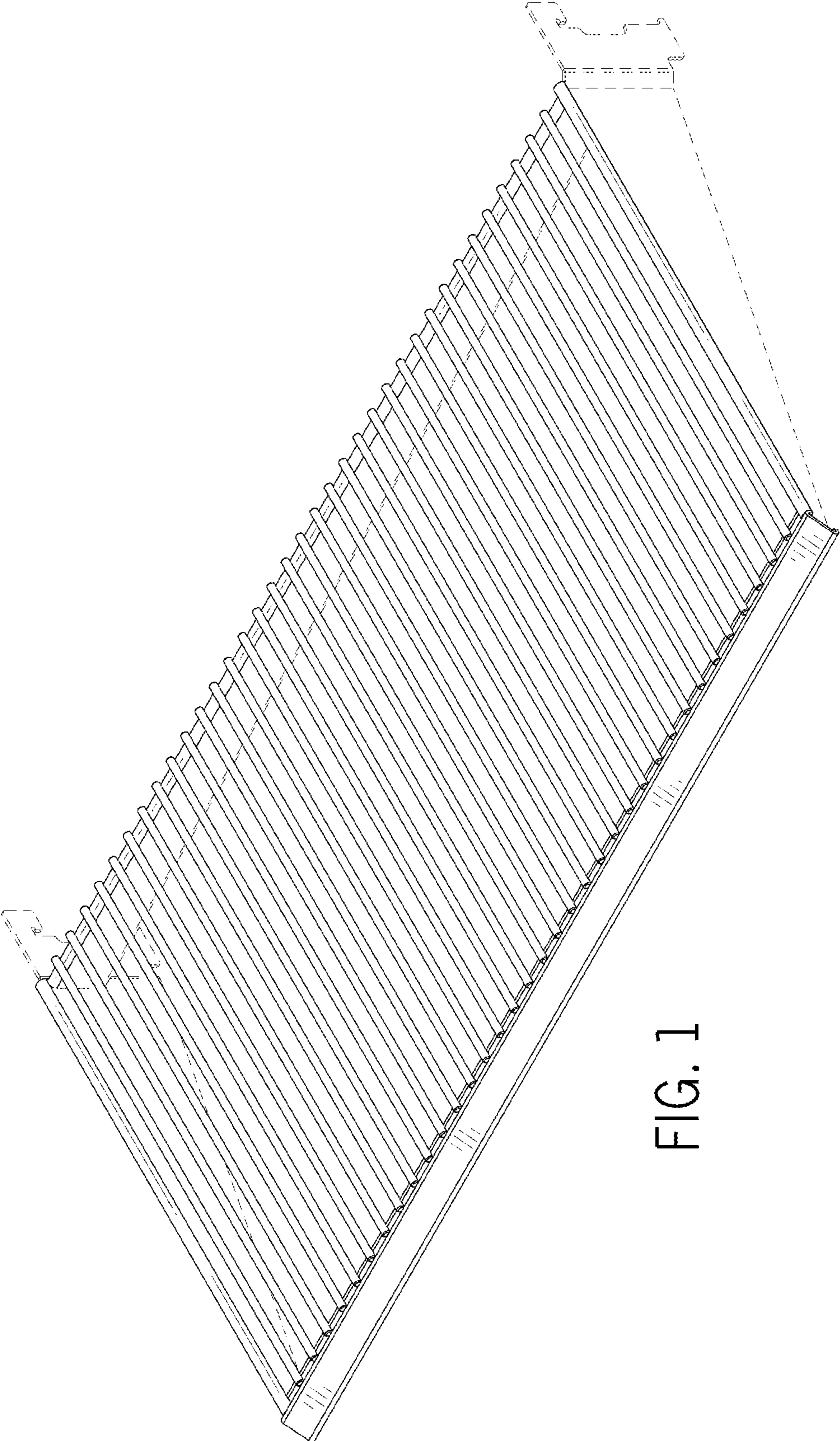


FIG. 1



FIG. 2

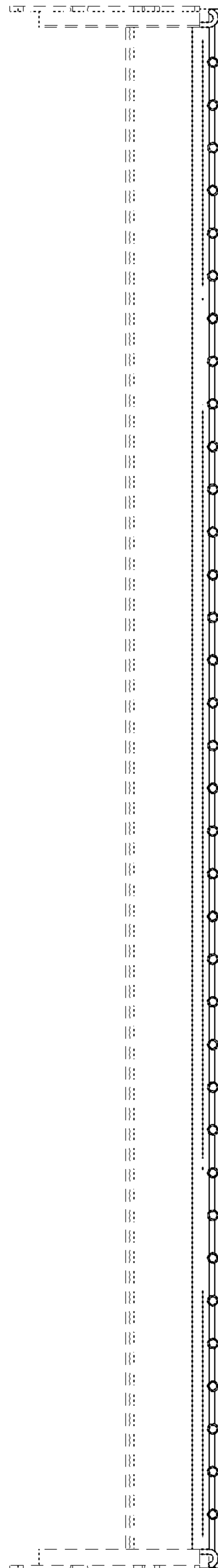


FIG. 3

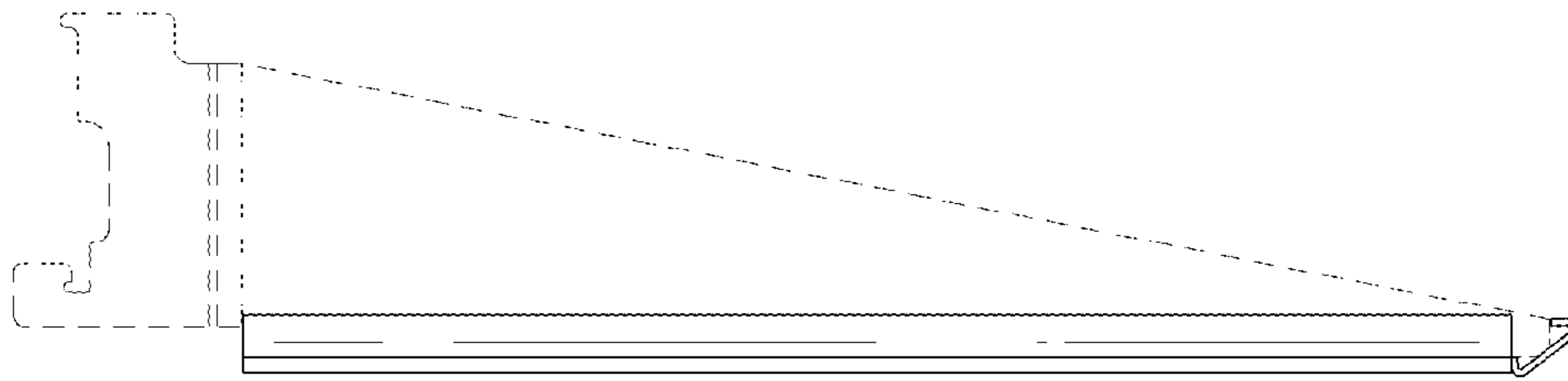


FIG. 5

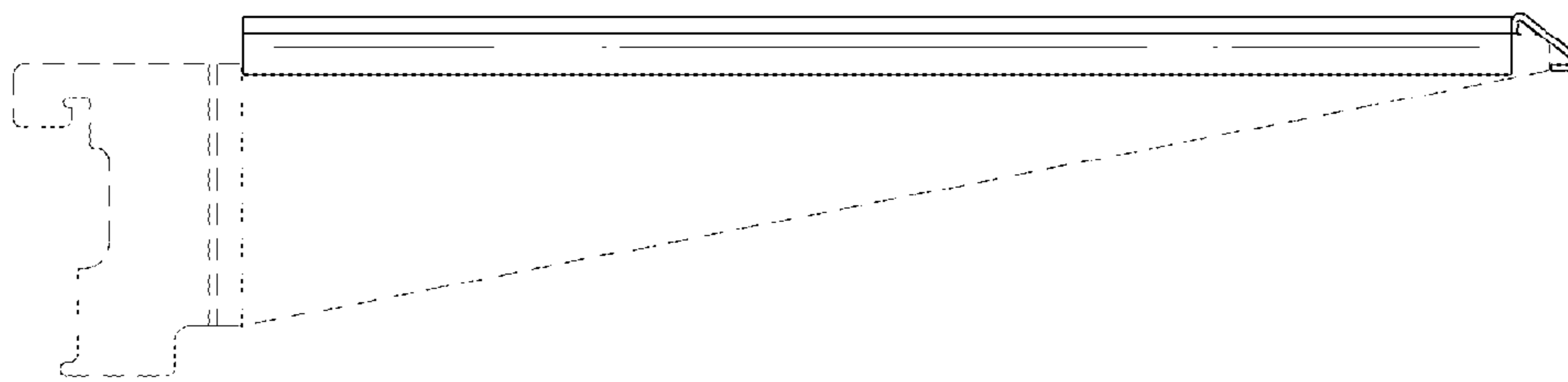


FIG. 4

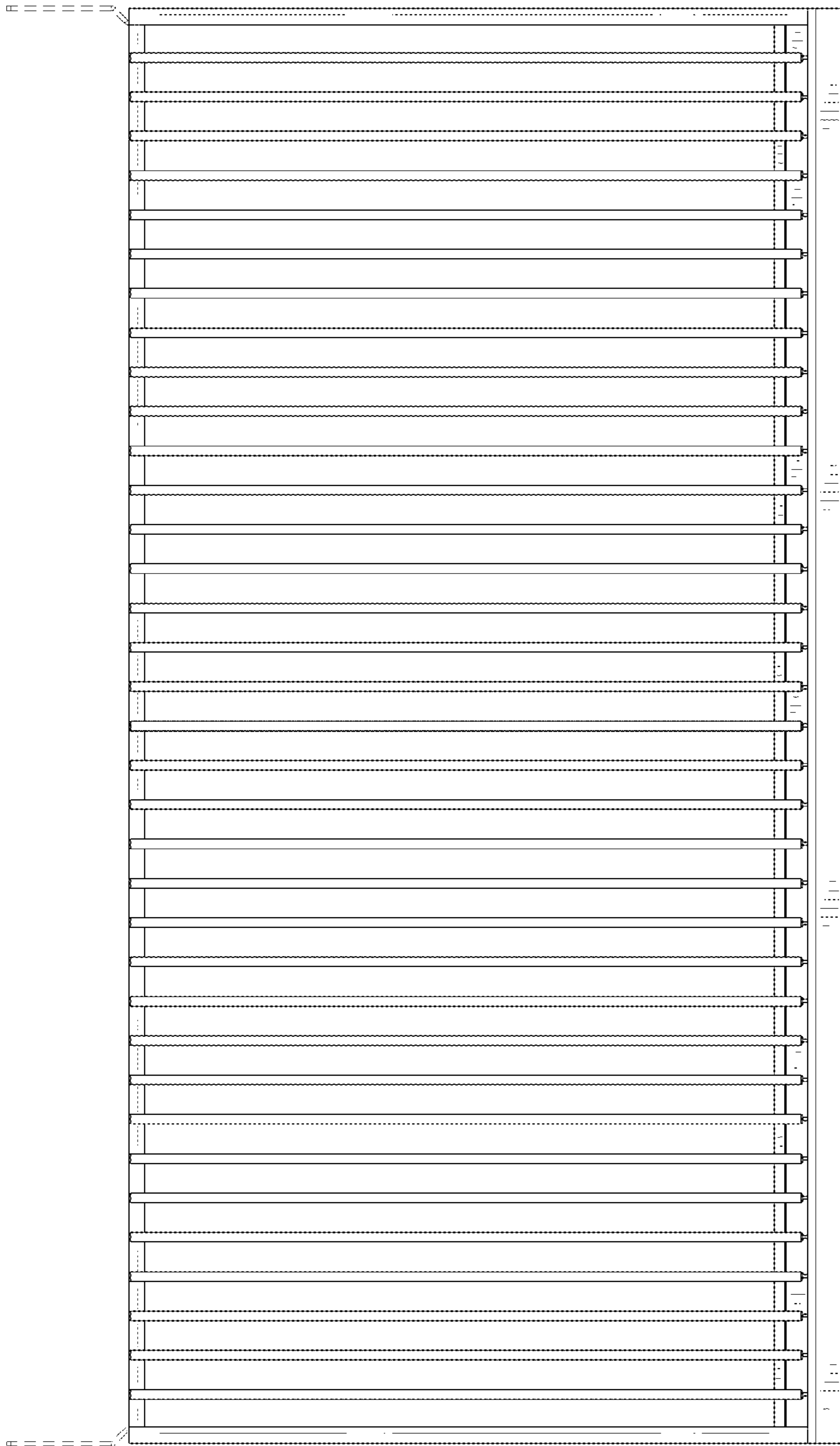


FIG. 6

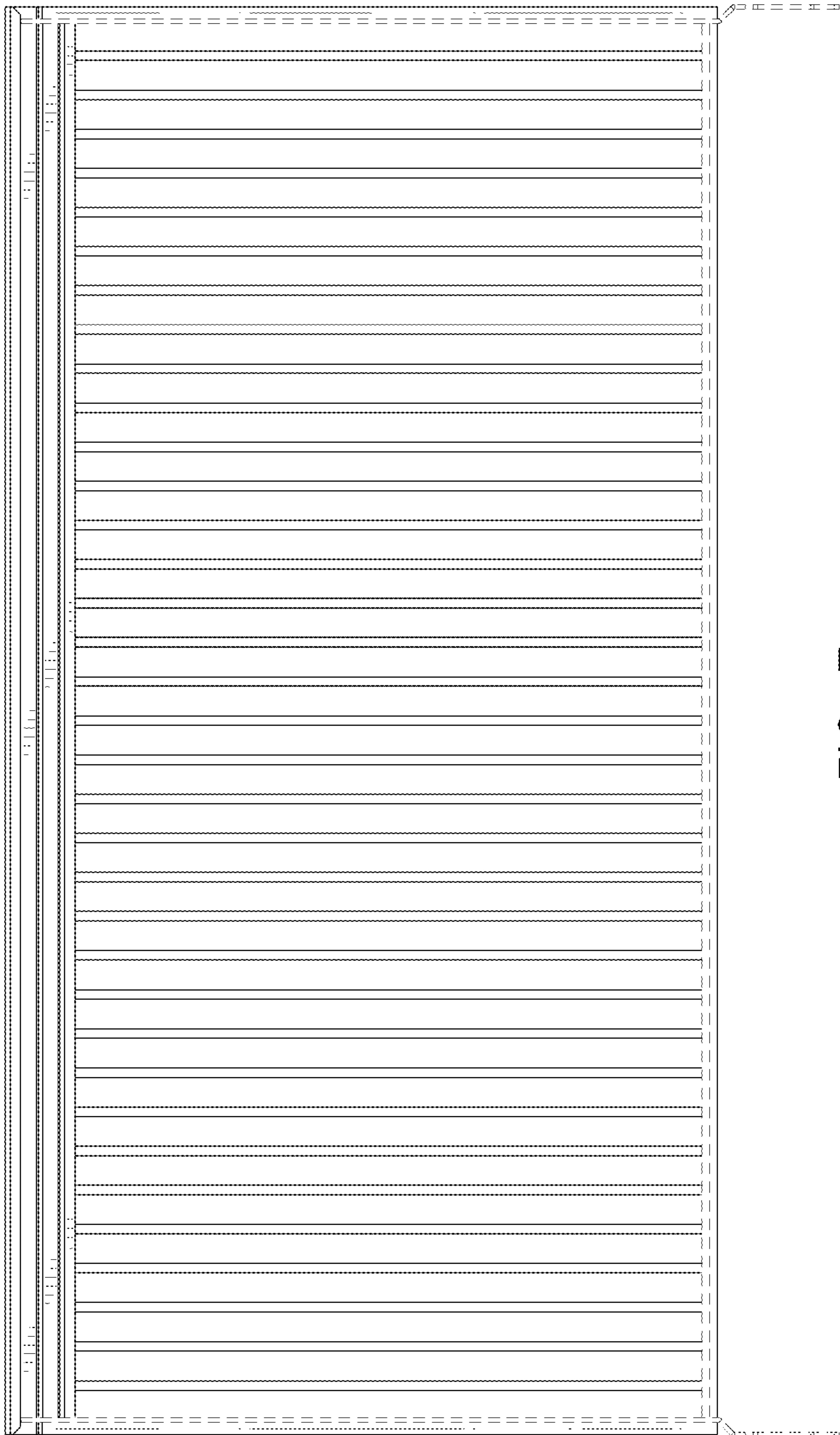


FIG. 7