



US00D694289S

(12) **United States Design Patent**  
**Hottmann et al.**

(10) **Patent No.:** **US D694,289 S**

(45) **Date of Patent:** **\*\* Nov. 26, 2013**

(54) **REFRIGERATOR CRISPER DRAWER**

(75) Inventors: **Philip F. Hottmann**, Verona, WI (US);  
**Sean Petersen**, Evansville, WI (US)

(73) Assignee: **Sub-Zero, Inc.**, Madison, WI (US)

(\*\*) Term: **14 Years**

(21) Appl. No.: **29/425,607**

(22) Filed: **Jun. 25, 2012**

(51) **LOC (9) Cl.** ..... **15-07**

(52) **U.S. Cl.**  
USPC ..... **D15/89**

(58) **Field of Classification Search**

USPC ..... D21/79-89, 91; 62/3.6, 125, 126, 187,  
62/246-255, 441-445; 312/116, 138.1,  
312/236, 321.5, 330.1, 400-409, 351,  
312/139.2, 128.3

See application file for complete search history.

(56) **References Cited**

**U.S. PATENT DOCUMENTS**

D119,805 S \* 4/1940 Janes et al. .... D15/89  
D155,355 S \* 9/1949 Norberg ..... D15/89  
3,860,309 A \* 1/1975 Brendgord ..... 312/351  
4,960,308 A \* 10/1990 Donaghy ..... 312/404  
D358,403 S \* 5/1995 Edman et al. .... D15/89  
5,641,217 A \* 6/1997 Caruso et al. .... 312/404  
5,951,134 A \* 9/1999 Braun et al. .... 312/405.1

D484,150 S \* 12/2003 Becke ..... D15/89  
D490,091 S \* 5/2004 Quinlan ..... D15/89  
D591,313 S \* 4/2009 Baacke et al. .... D15/89  
D591,314 S \* 4/2009 Baacke et al. .... D15/89  
7,665,326 B2 \* 2/2010 LeClear et al. .... 62/441

\* cited by examiner

*Primary Examiner* — Mitchell Siegel

(74) *Attorney, Agent, or Firm* — Bell & Manning, LLC

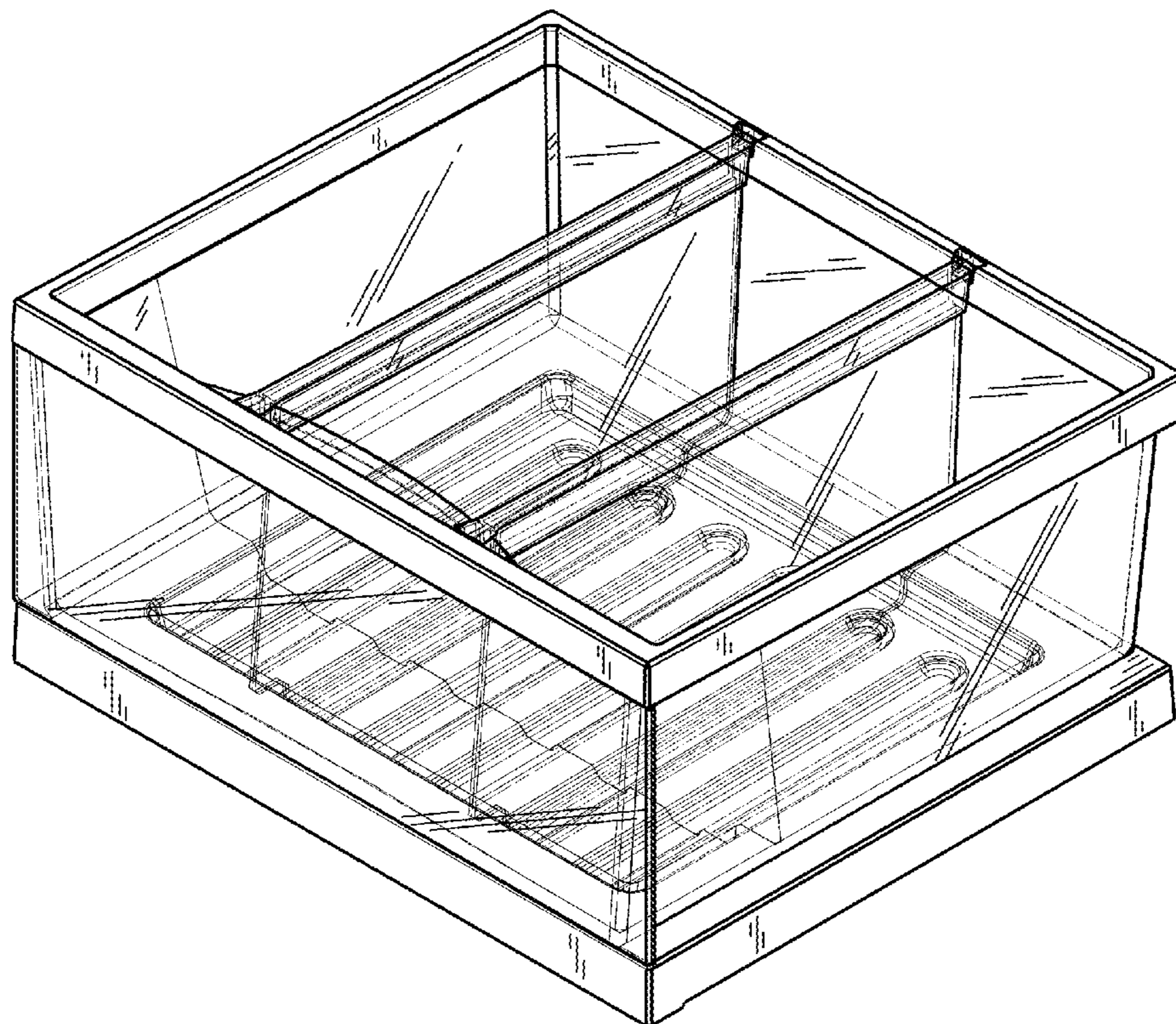
(57) **CLAIM**

We claim the ornamental design for a refrigerator crisper drawer, as shown and described.

**DESCRIPTION**

FIG. 1 is a perspective view of a refrigerator crisper drawer showing our new design;  
FIG. 2 is a front view of the refrigerator crisper drawer of FIG. 1;  
FIG. 3 is a back view of the refrigerator crisper drawer of FIG. 1;  
FIG. 4 is a left side view of the refrigerator crisper drawer of FIG. 1;  
FIG. 5 is a right side view of the refrigerator crisper drawer of FIG. 1;  
FIG. 6 is a top view of the refrigerator crisper drawer of FIG. 1; and,  
FIG. 7 is a bottom view of the refrigerator crisper drawer of FIG. 1.

**1 Claim, 5 Drawing Sheets**



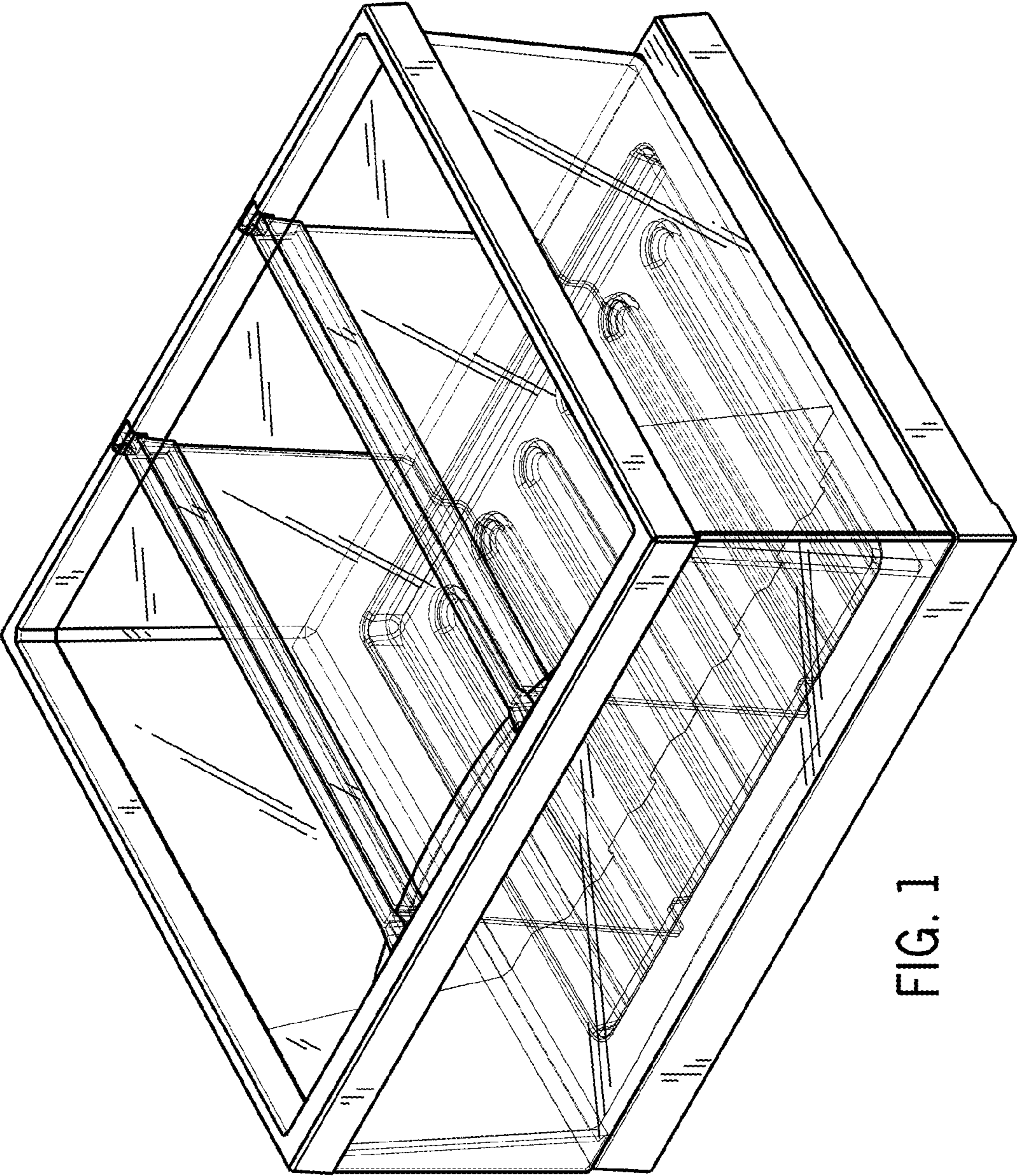


FIG. 1

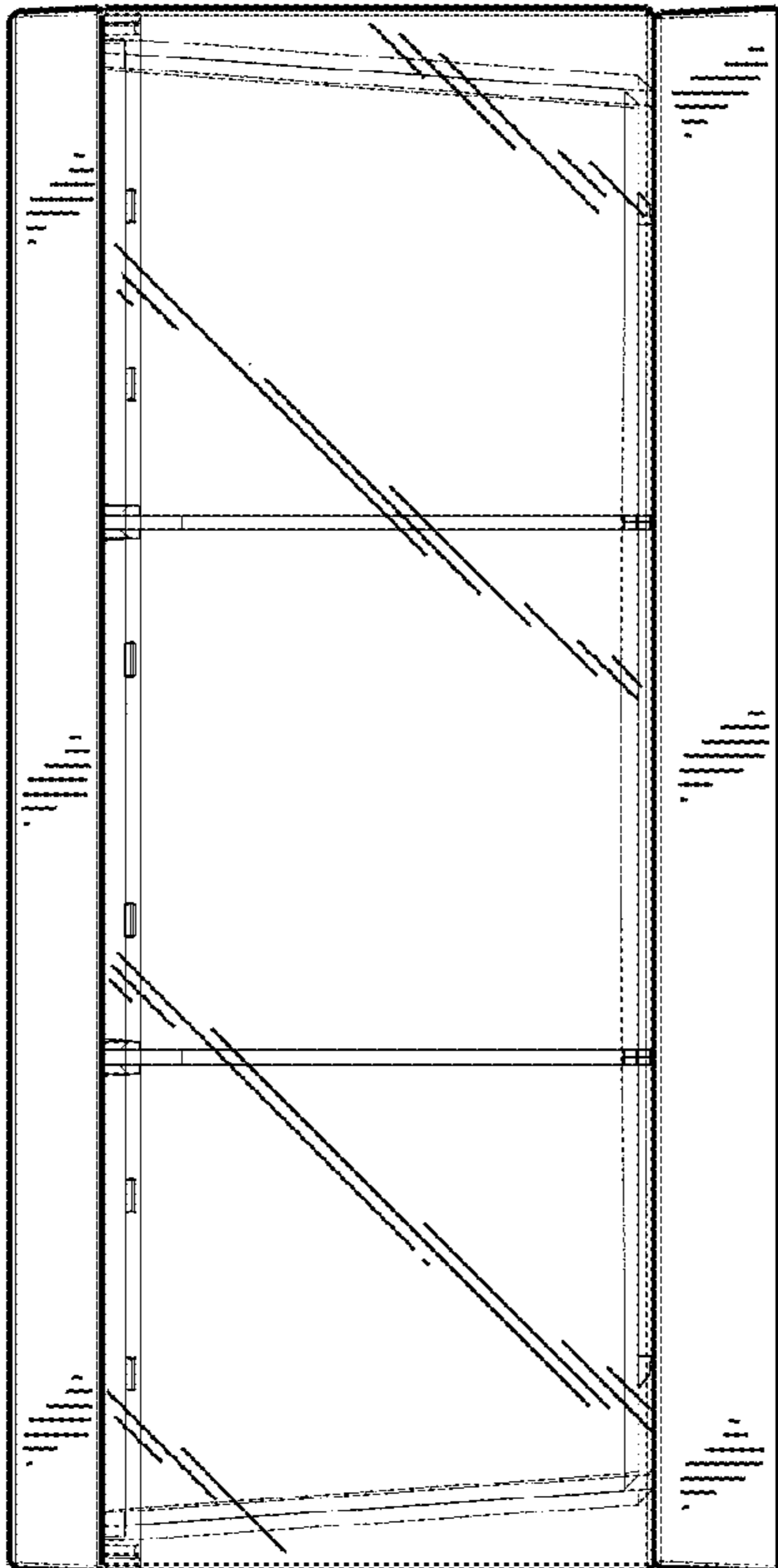


FIG. 2

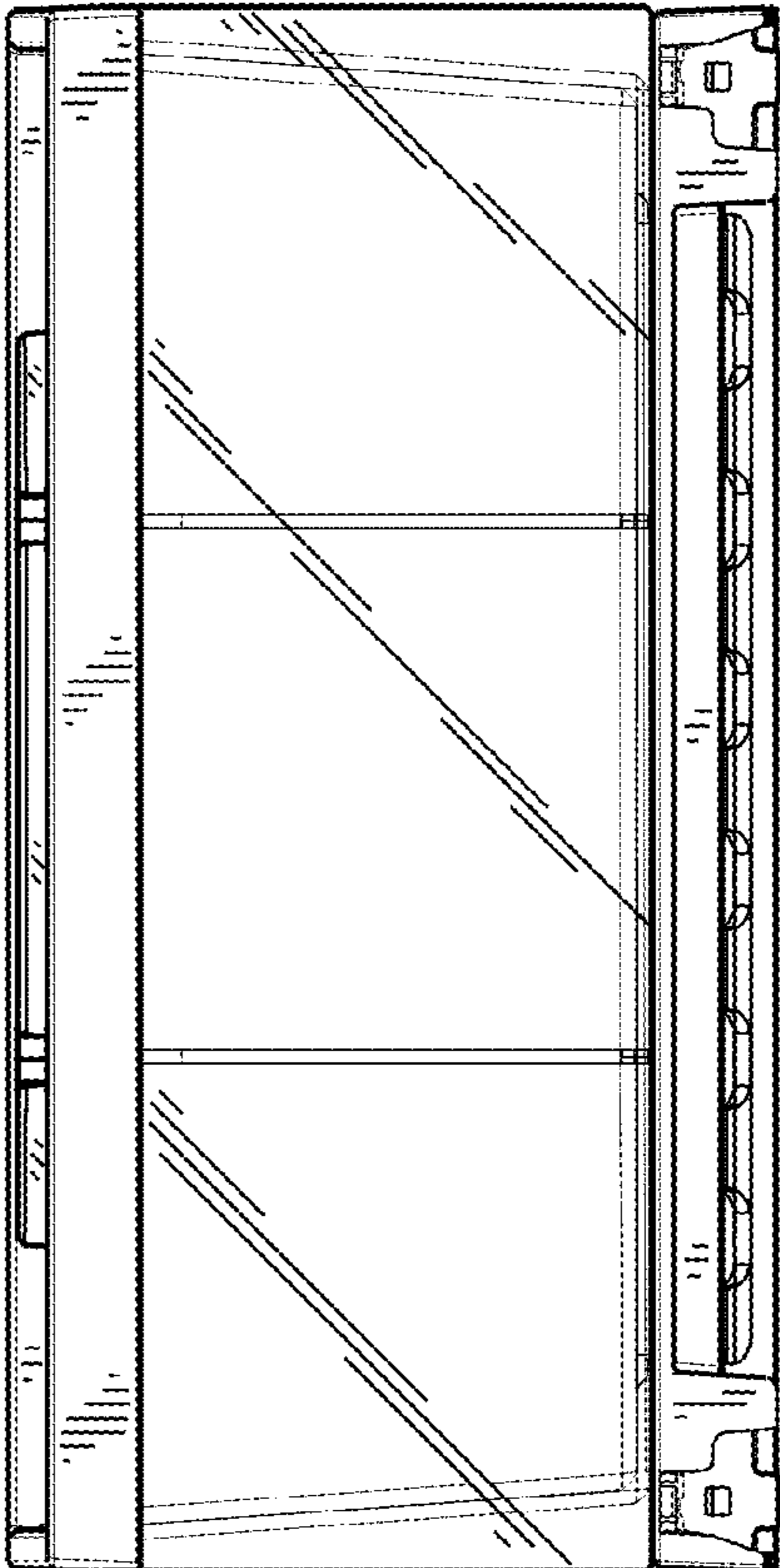


FIG. 3

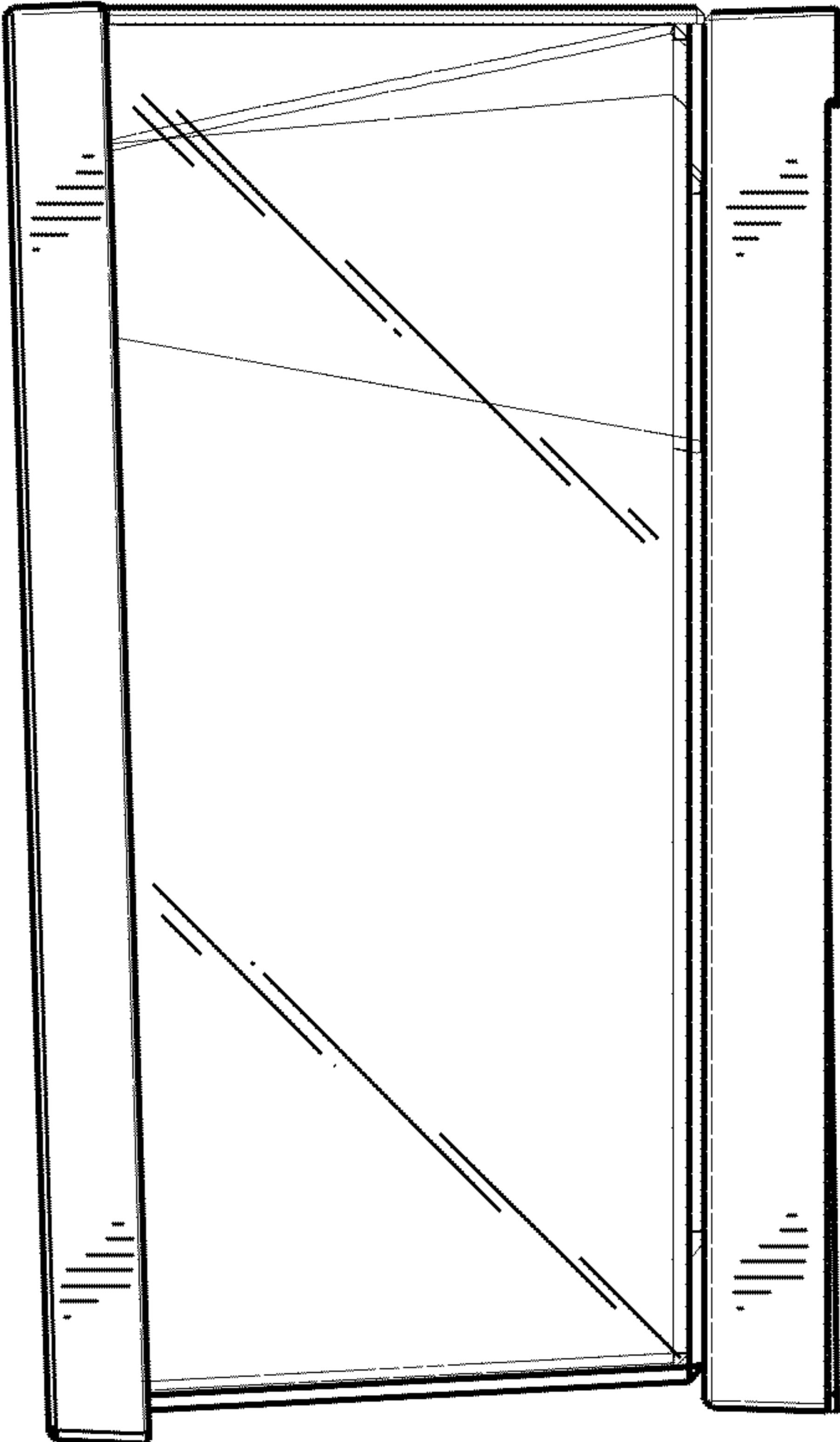


FIG. 4

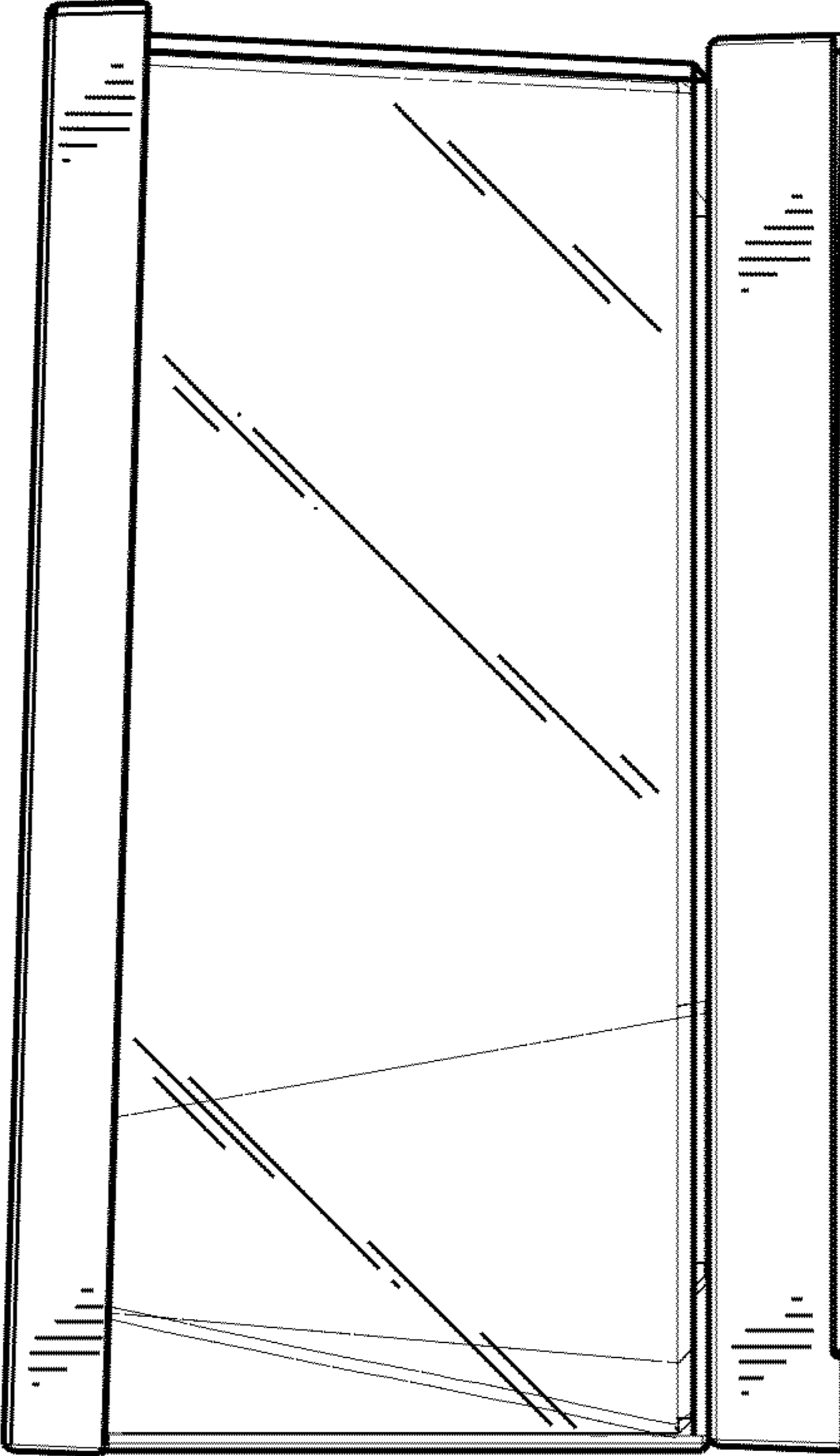


FIG. 5

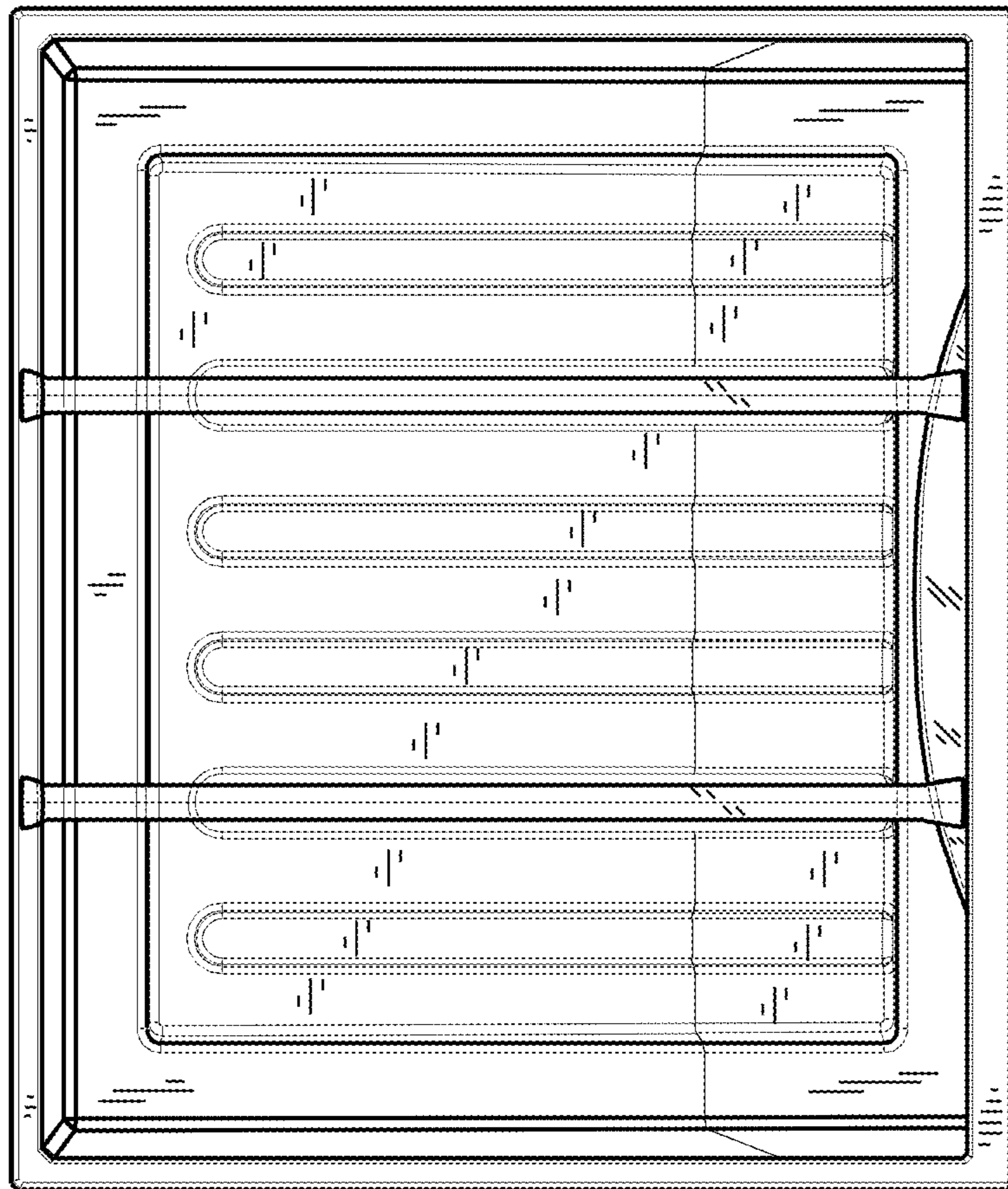


FIG. 6

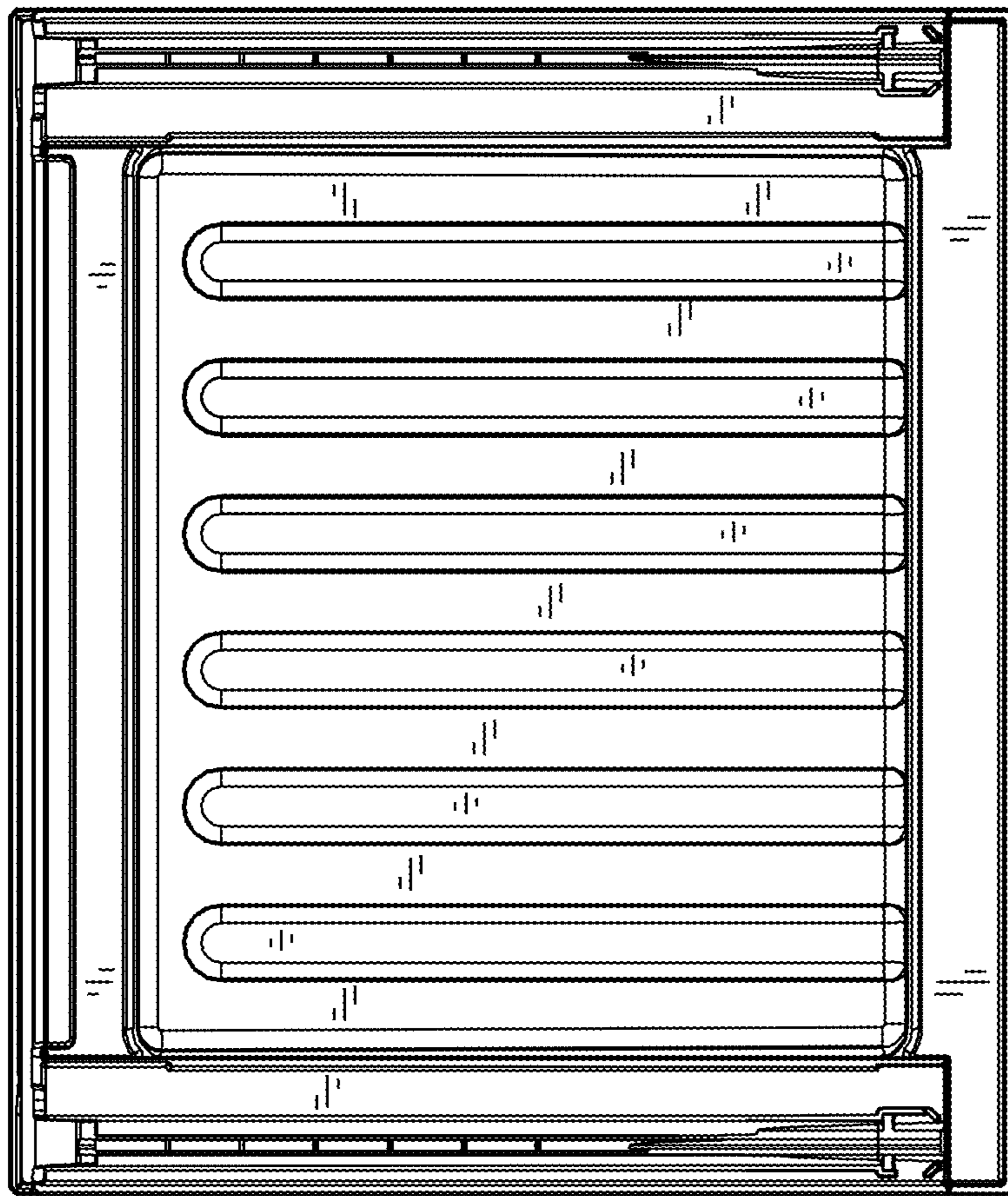


FIG. 7