

US00D694288S

(12) **United States Design Patent**  
**Hottmann et al.**

(10) **Patent No.:** **US D694,288 S**

(45) **Date of Patent:** **\*\* Nov. 26, 2013**

(54) **CRYSTAL INTERIOR REFRIGERATOR  
DOOR SHELF**

(75) Inventors: **Philip F. Hottmann**, Verona, WI (US);  
**Sean Petersen**, Evansville, WI (US);  
**Chad A. Wohlrab**, Madison, WI (US)

(73) Assignee: **Sub-Zero, Inc.**, Madison, WI (US)

(\*\*) Term: **14 Years**

(21) Appl. No.: **29/425,586**

(22) Filed: **Jun. 25, 2012**

(51) **LOC (9) Cl.** ..... **15-07**

(52) **U.S. Cl.**  
USPC ..... **D15/89**

(58) **Field of Classification Search**  
USPC ..... D21/79-89, 91; 62/3.6, 125, 126, 187,  
62/246-255; 312/116, 138.1, 236, 321.5,  
312/330.1, 400-409

See application file for complete search history.

(56) **References Cited**

**U.S. PATENT DOCUMENTS**

D292,516 S \* 10/1987 Wolff ..... D15/89  
D344,739 S \* 3/1994 Edman et al. .... D15/89  
5,370,455 A \* 12/1994 Sedovic et al. .... 312/405.1  
D494,195 S \* 8/2004 Becke ..... D15/89  
D506,480 S \* 6/2005 Floeter et al. .... D15/89

7,472,974 B2 \* 1/2009 Czach et al. .... 312/405.1  
D590,424 S \* 4/2009 Baacke et al. .... D15/89  
D591,315 S \* 4/2009 Baacke et al. .... D15/89  
7,748,805 B2 \* 7/2010 Lucas et al. .... 312/405.1  
D669,506 S \* 10/2012 Czach et al. .... D15/89

\* cited by examiner

*Primary Examiner* — Mitchell Siegel

(74) *Attorney, Agent, or Firm* — Bell & Manning, LLC

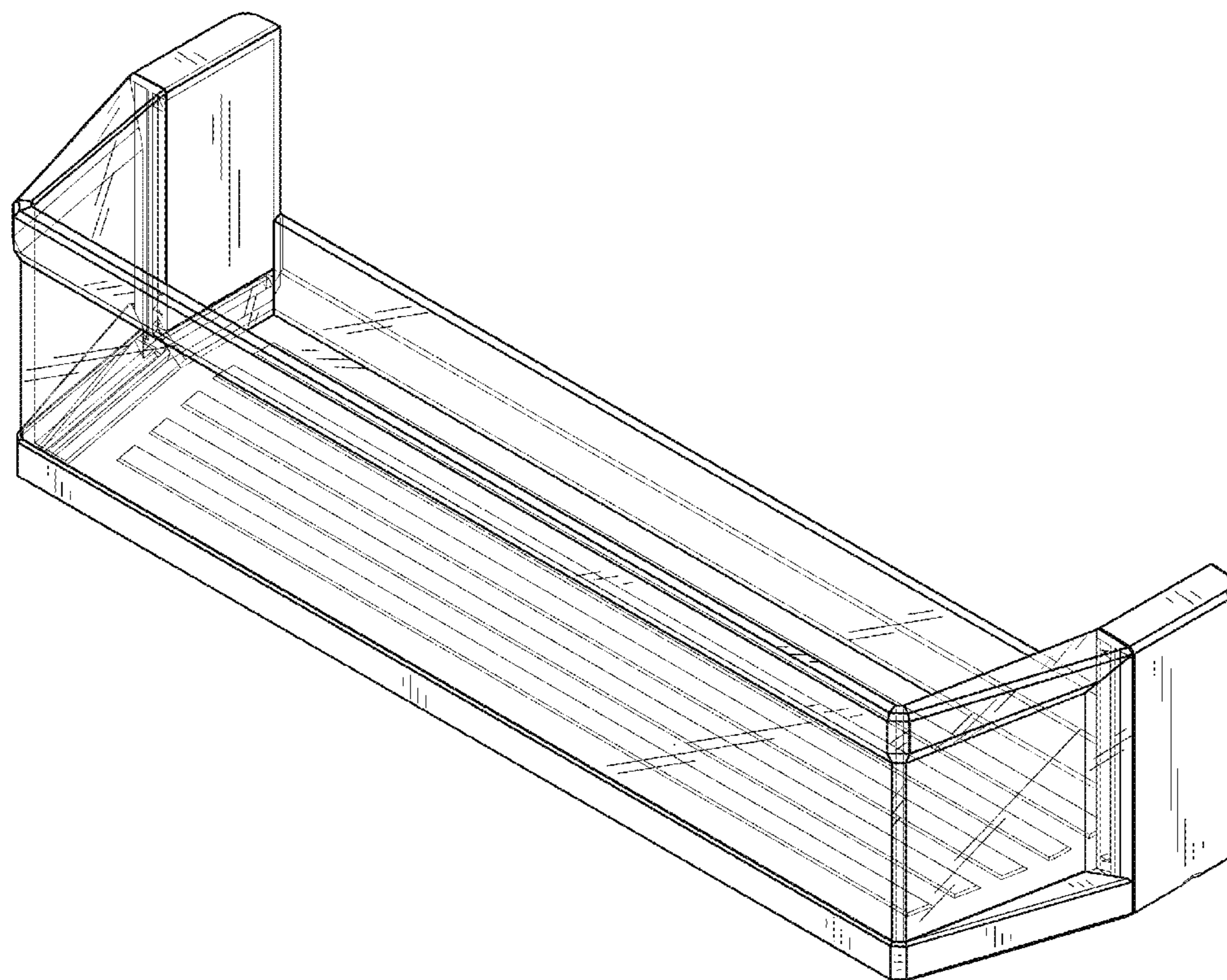
(57) **CLAIM**

We claim the ornamental design for a crystal interior refrigerator door shelf, as shown and described.

**DESCRIPTION**

FIG. 1 is a perspective view of a crystal interior refrigerator door shelf showing our new design;  
FIG. 2 is a front view of the crystal interior refrigerator door shelf of FIG. 1;  
FIG. 3 is a back view of the crystal interior refrigerator door shelf of FIG. 1;  
FIG. 4 is a left side view of the crystal interior refrigerator door shelf of FIG. 1;  
FIG. 5 is a right side view of the crystal interior refrigerator door shelf of FIG. 1;  
FIG. 6 is a top view of the crystal interior refrigerator door shelf of FIG. 1; and,  
FIG. 7 is a bottom view of the crystal interior refrigerator door shelf of FIG. 1.

**1 Claim, 5 Drawing Sheets**



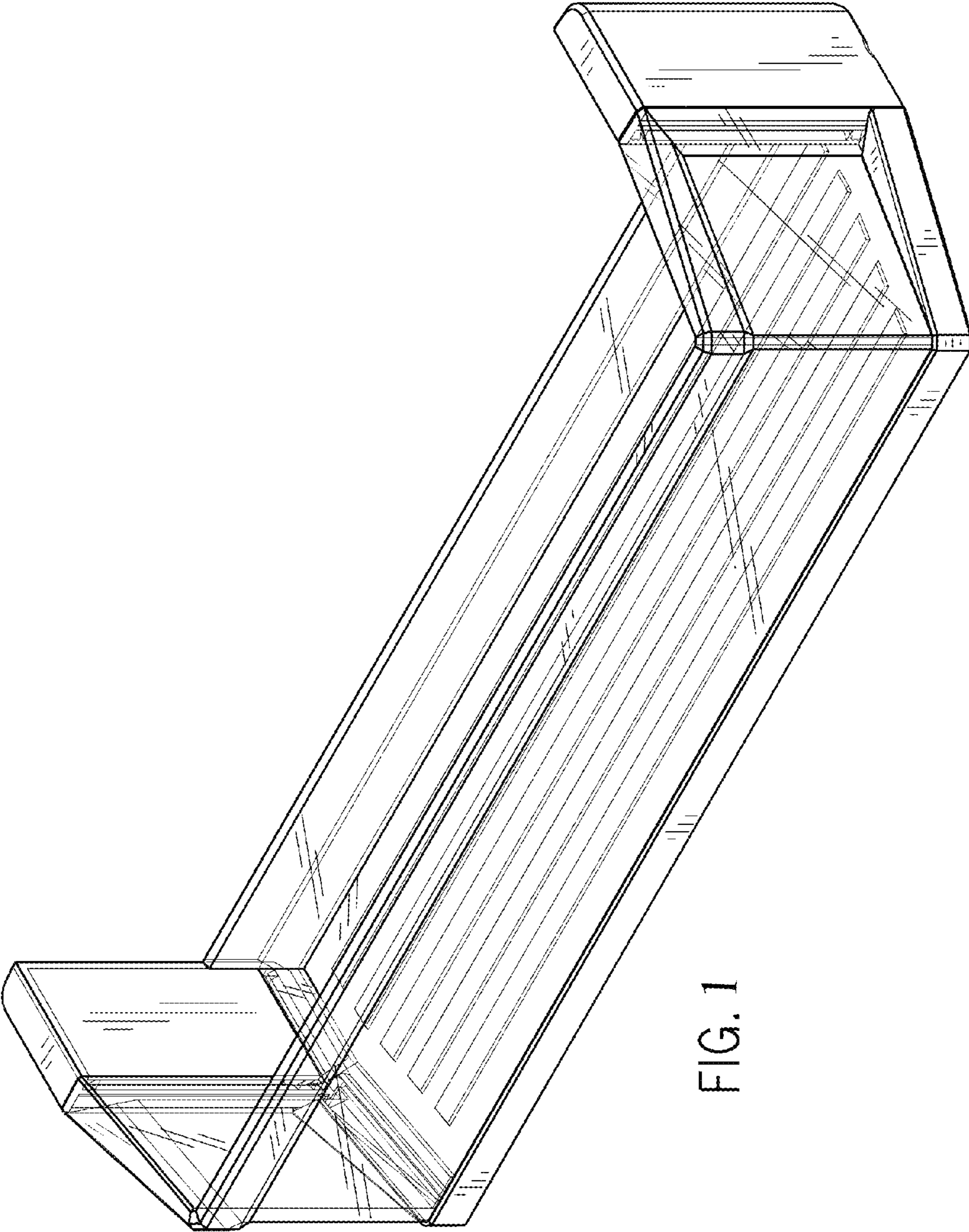


FIG. 1

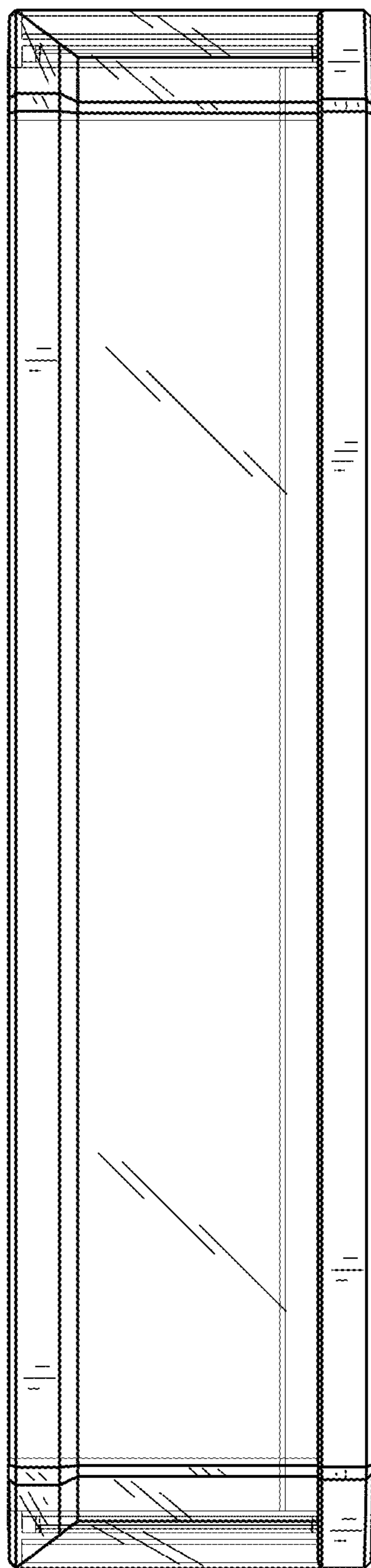


FIG. 2

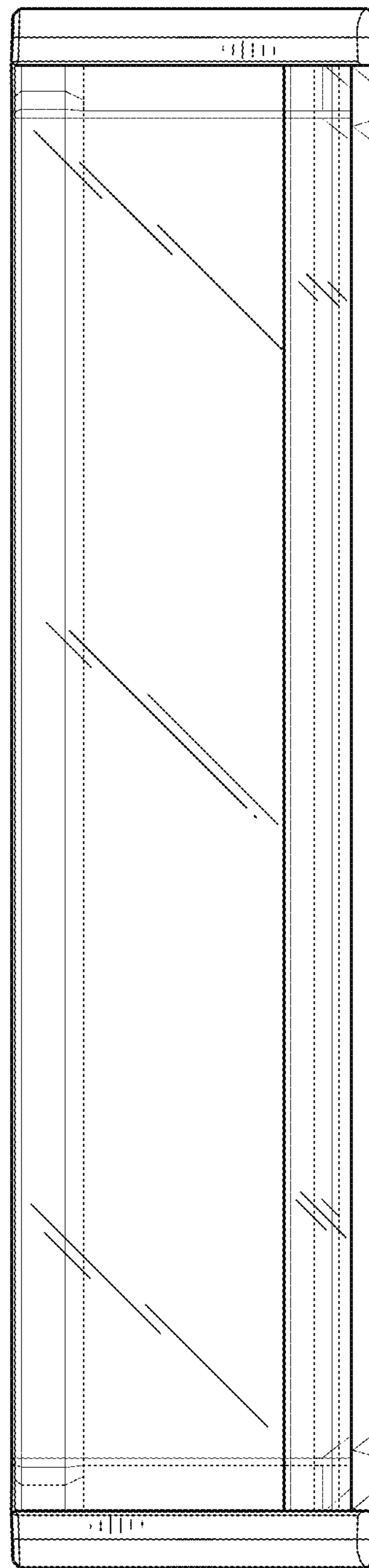


FIG. 3

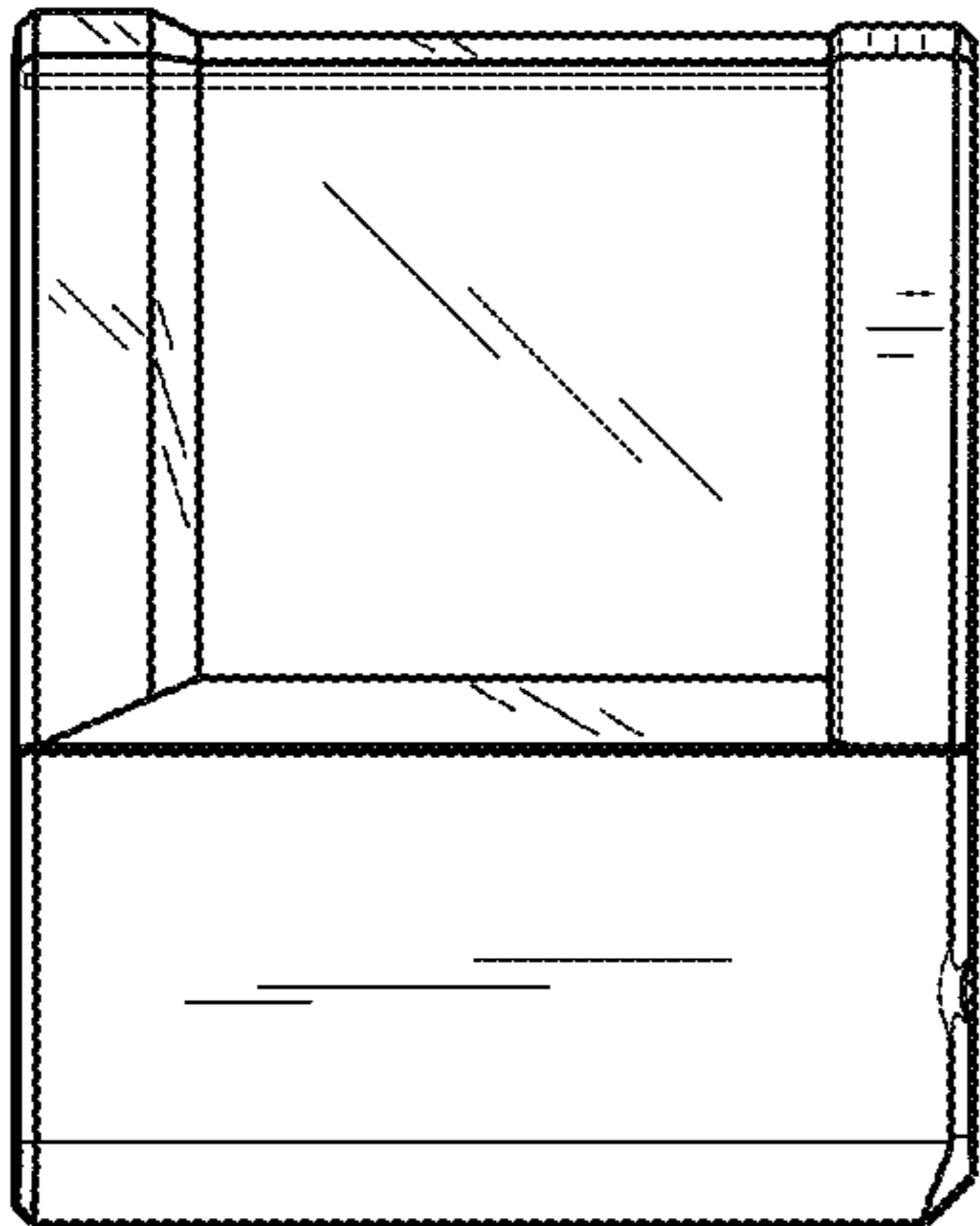


FIG. 4

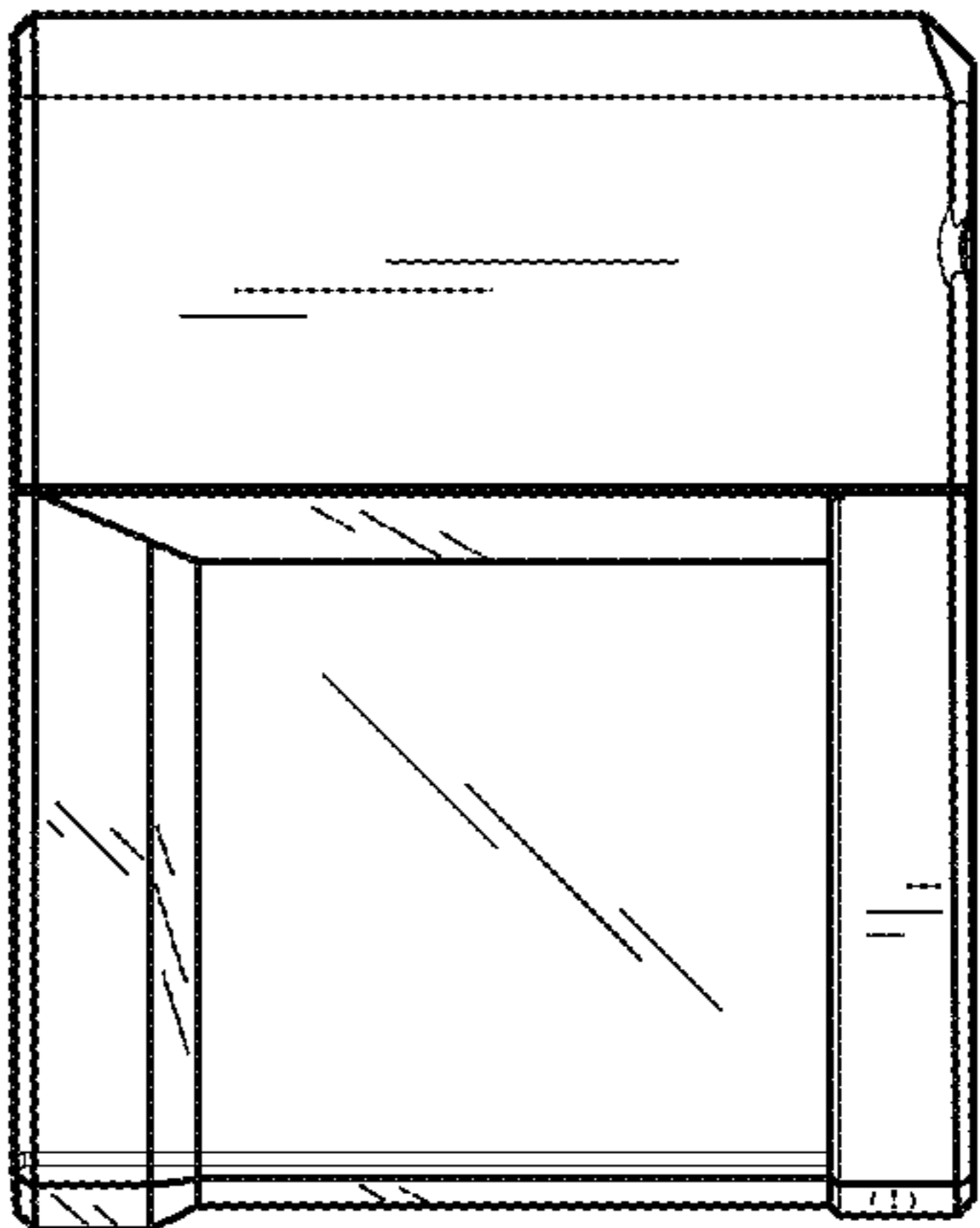


FIG. 5

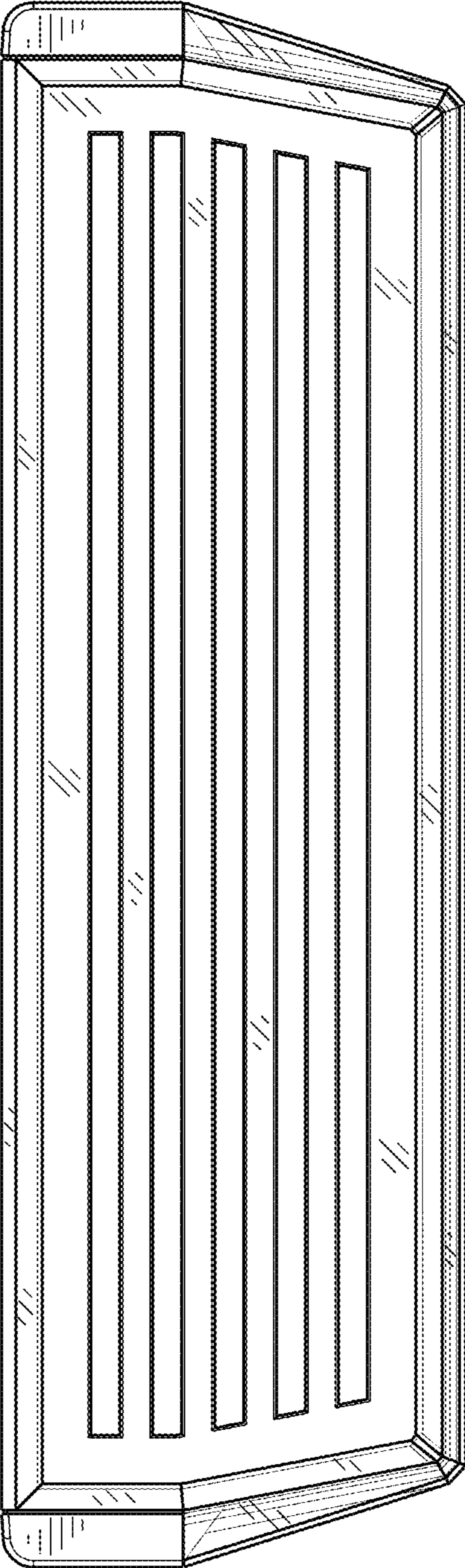


FIG. 6

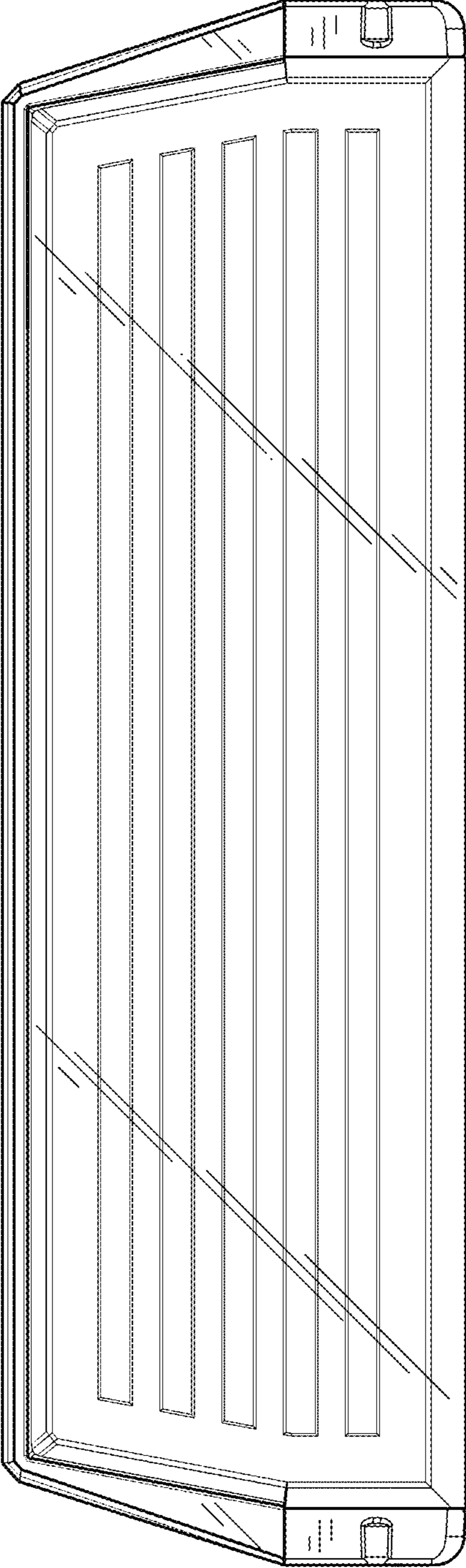


FIG. 7