



US00D694287S

(12) **United States Design Patent**
Salin

(10) **Patent No.:** **US D694,287 S**

(45) **Date of Patent:** **** Nov. 26, 2013**

(54) **ICE CREAM MAKER**

(75) Inventor: **Federico Franco Maria Salin**, Milan (IT)

(73) Assignee: **Ugolini SpA**, Milan (IT)

(**) Term: **14 Years**

(21) Appl. No.: **29/432,118**

(22) Filed: **Sep. 13, 2012**

(30) **Foreign Application Priority Data**

May 24, 2012 (EM) 002046896-001/003

(51) **LOC (9) Cl.** **15-07**

(52) **U.S. Cl.**
USPC **D15/82**

(58) **Field of Classification Search**
USPC D15/79, 82; D7/368-371; 99/452, 455, 99/348; 62/342, 354, 438, 69, 3.6, 3.63, 62/3.64, 293, 467; 220/592.13, 592.14; 312/400-408

See application file for complete search history.

(56) **References Cited**

U.S. PATENT DOCUMENTS

D184,325 S *	1/1959	Walsh et al.	D15/82
D192,846 S *	5/1962	Wildman	D15/82
3,159,007 A *	12/1964	Rahauser et al.	D15/82
D217,650 S *	5/1970	Lofgren	D7/308
D218,069 S *	7/1970	Cornelius et al.	D7/307
D218,082 S *	7/1970	Cornelius et al.	D7/307
D223,185 S *	3/1972	Hartley	D15/82
D223,648 S *	5/1972	Hartley	D7/307
D223,890 S *	6/1972	Hartley	D15/82
D251,847 S *	5/1979	Carvel	D15/82
D261,890 S *	11/1981	Caspersen	D15/82
D378,215 S *	2/1997	Gander	D15/82
D466,138 S *	11/2002	Baldonado et al.	D15/82
D485,566 S *	1/2004	Ledingham et al.	D15/82
D535,668 S *	1/2007	Moore	D15/82
D651,619 S *	1/2012	Salin	D15/82

D662,526 S *	6/2012	Tulisi	D15/82
D667,675 S *	9/2012	Bouwknegt et al.	D7/307
D671,568 S *	11/2012	Pelayo et al.	D15/82
D671,963 S *	12/2012	Pelayo et al.	D15/82
D685,399 S *	7/2013	Pelayo et al.	D15/82

* cited by examiner

Primary Examiner — Mitchell Siegel

(74) *Attorney, Agent, or Firm* — Fredrikson & Byron, P.A.

(57) **CLAIM**

The ornamental design for an ice cream maker, as shown and described.

DESCRIPTION

FIG. 1 is a perspective of my new design for an ice cream maker according to a first embodiment;
 FIG. 2 is a right side view thereof;
 FIG. 3 is a left side view thereof;
 FIG. 4 is a top view thereof;
 FIG. 5 is a bottom view thereof;
 FIG. 6 is a front view thereof;
 FIG. 7 is a rear view thereof;
 FIG. 8 is a perspective of my new design for an ice cream maker according to a second embodiment;
 FIG. 9 is a right side view thereof;
 FIG. 10 is a left side view thereof;
 FIG. 11 is a top view thereof;
 FIG. 12 is a bottom view thereof;
 FIG. 13 is a front view thereof;
 FIG. 14 is a rear view thereof;
 FIG. 15 is a perspective of my new design for an ice cream maker according to a third embodiment;
 FIG. 16 is a right side view thereof;
 FIG. 17 is a left side view thereof;
 FIG. 18 is a top view thereof;
 FIG. 19 is a bottom view thereof;
 FIG. 20 is a front view thereof; and,
 FIG. 21 is a rear view thereof.

The broken lines showing the buttons form no part of the claimed design.

1 Claim, 21 Drawing Sheets

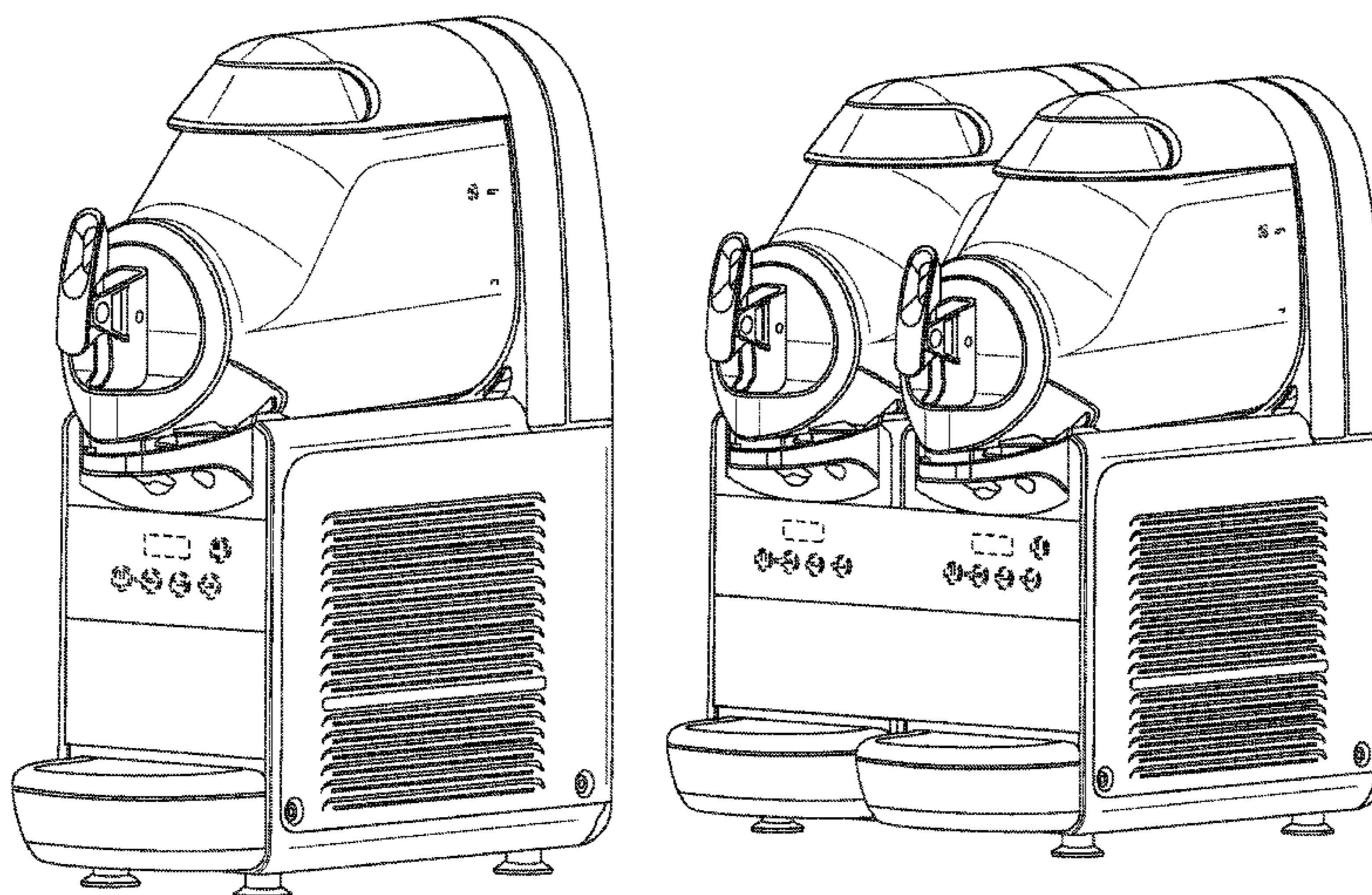


Fig. 1

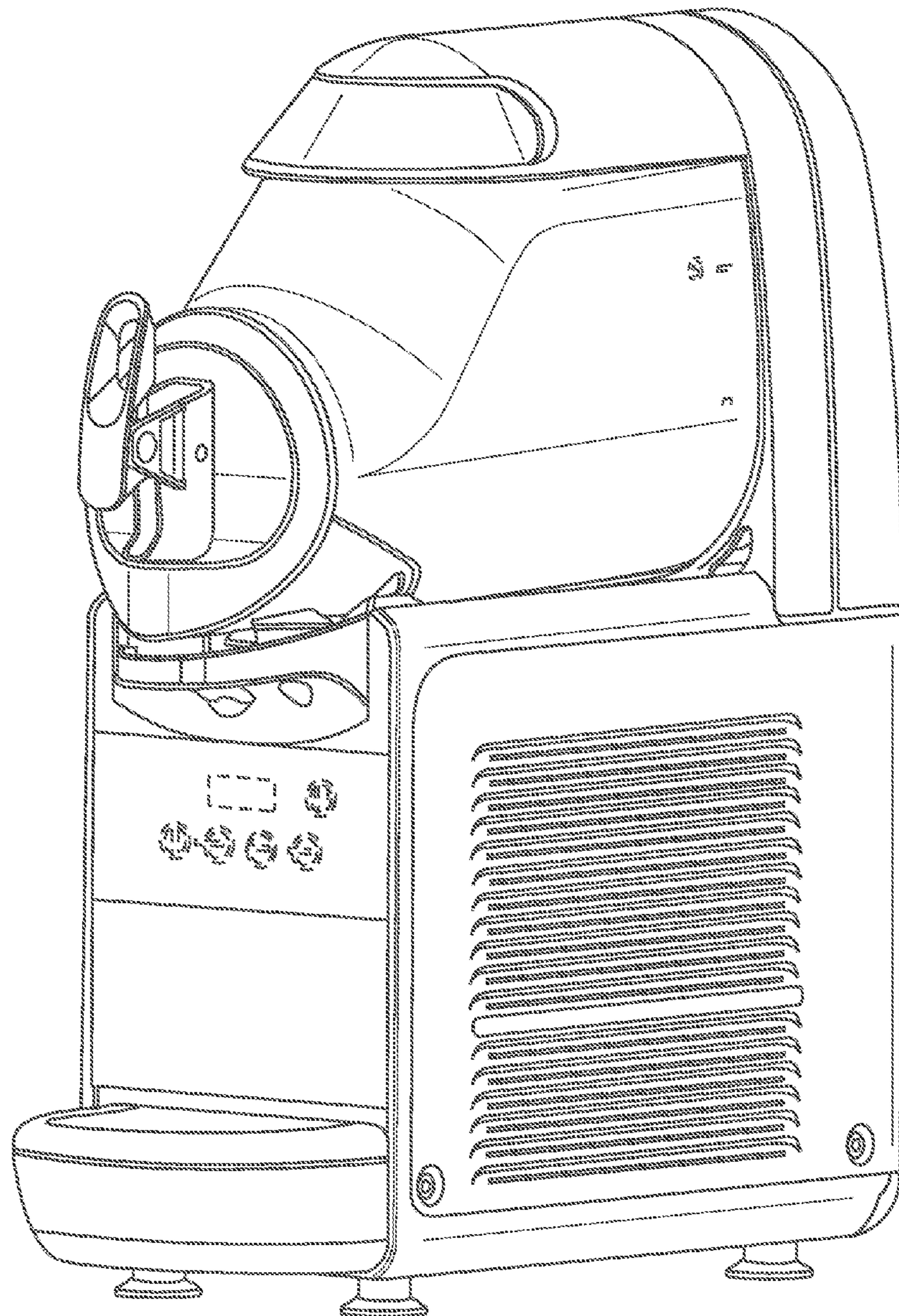


Fig. 2

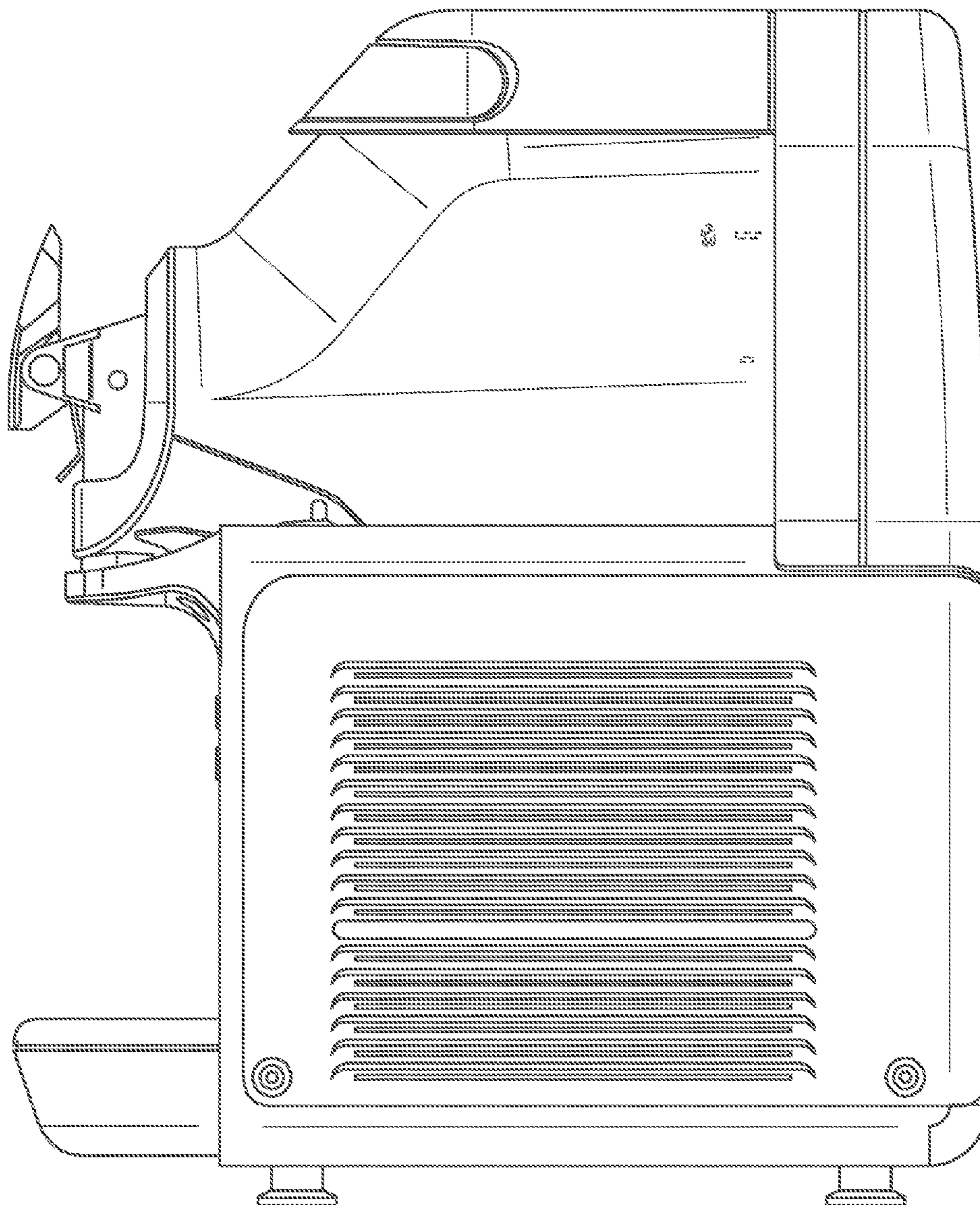


Fig. 3

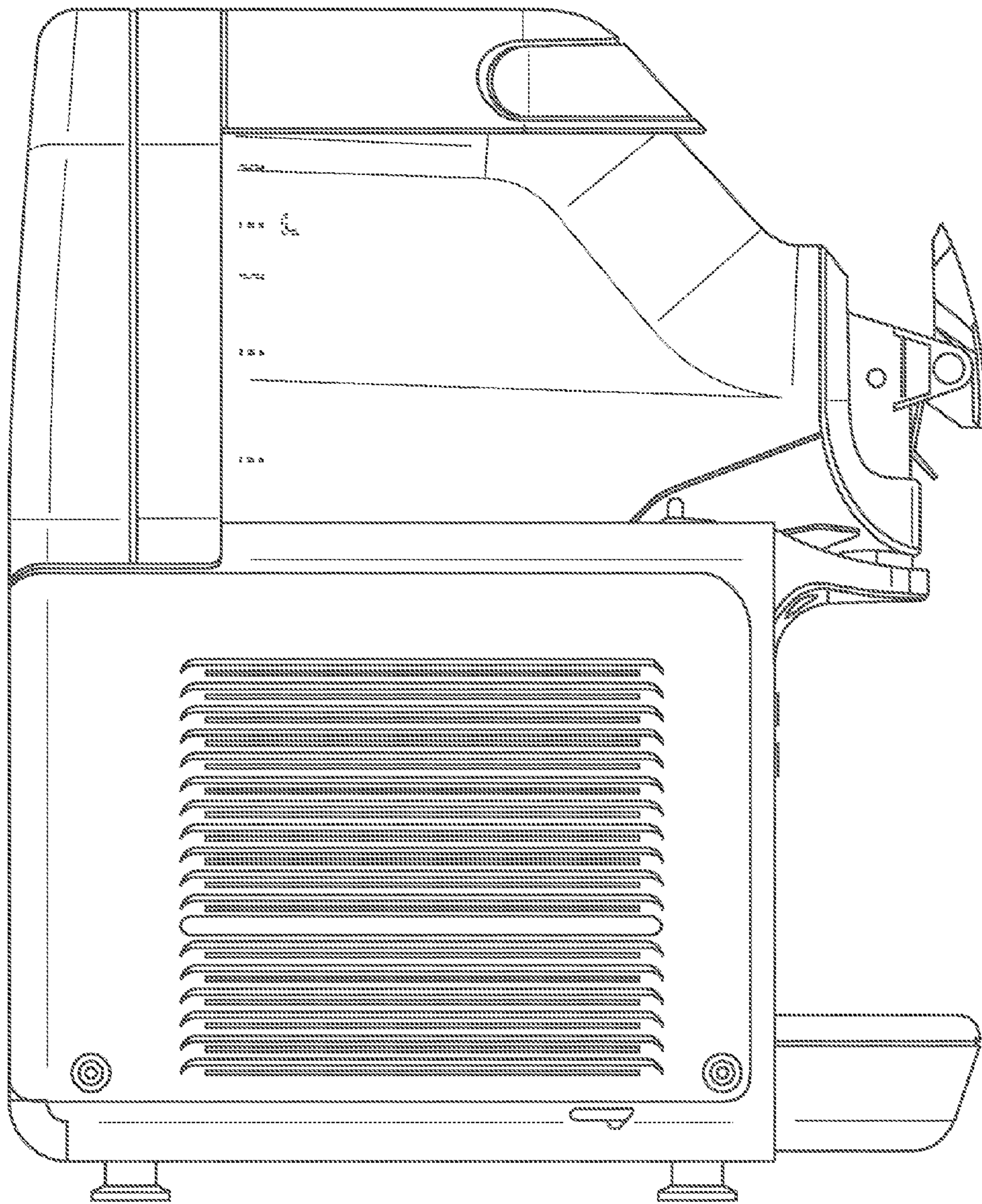


Fig. 4

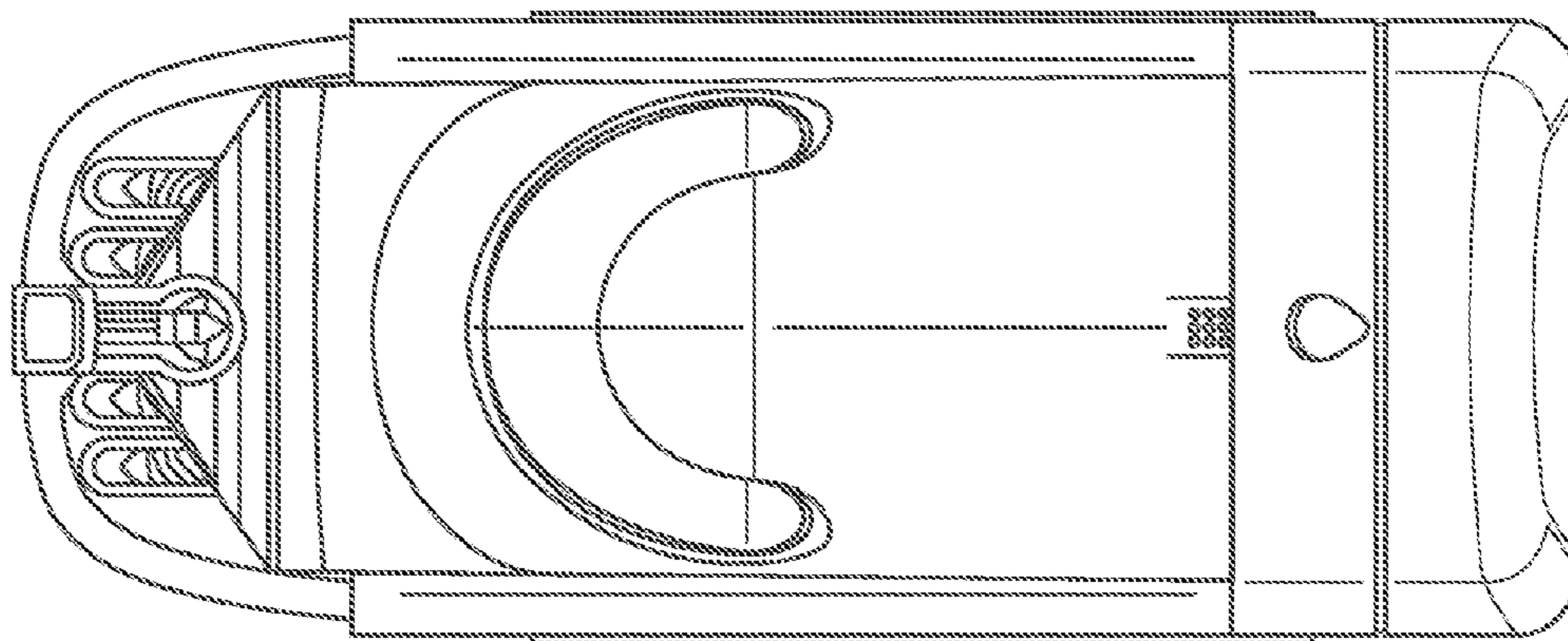


Fig. 5

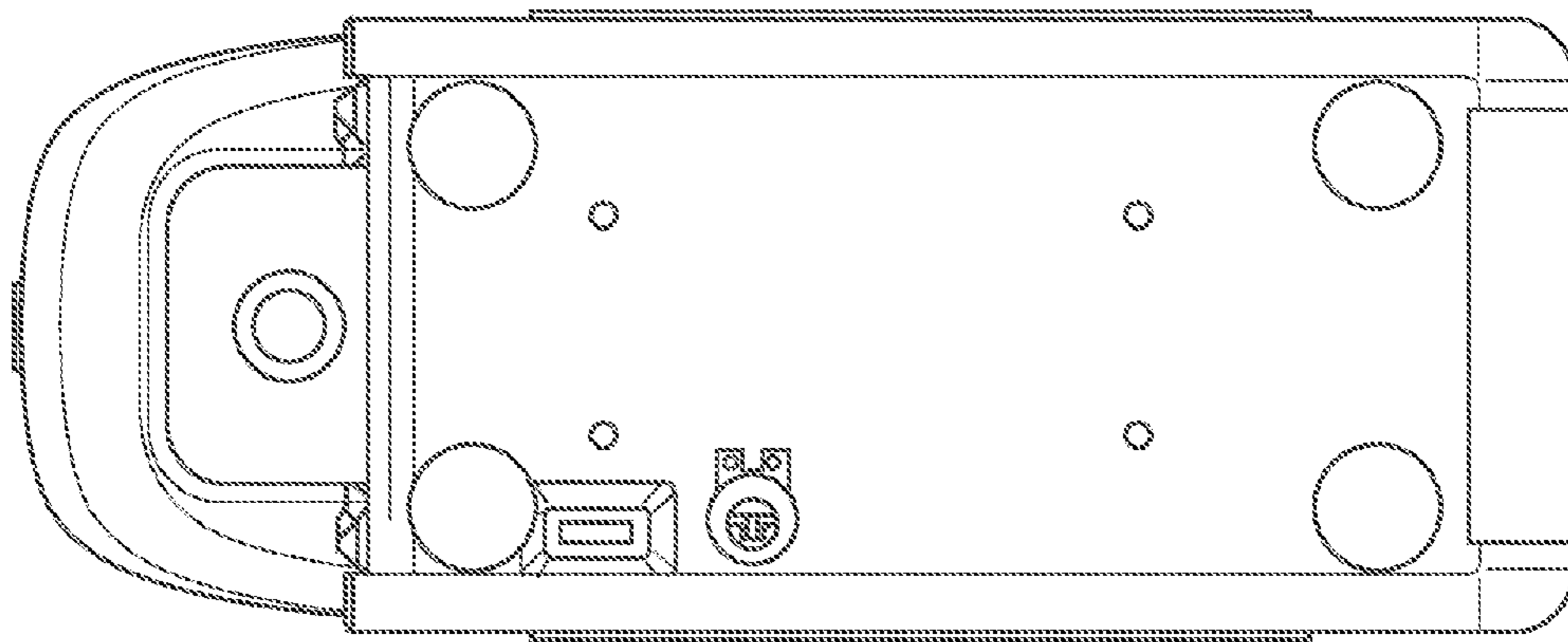


Fig. 6

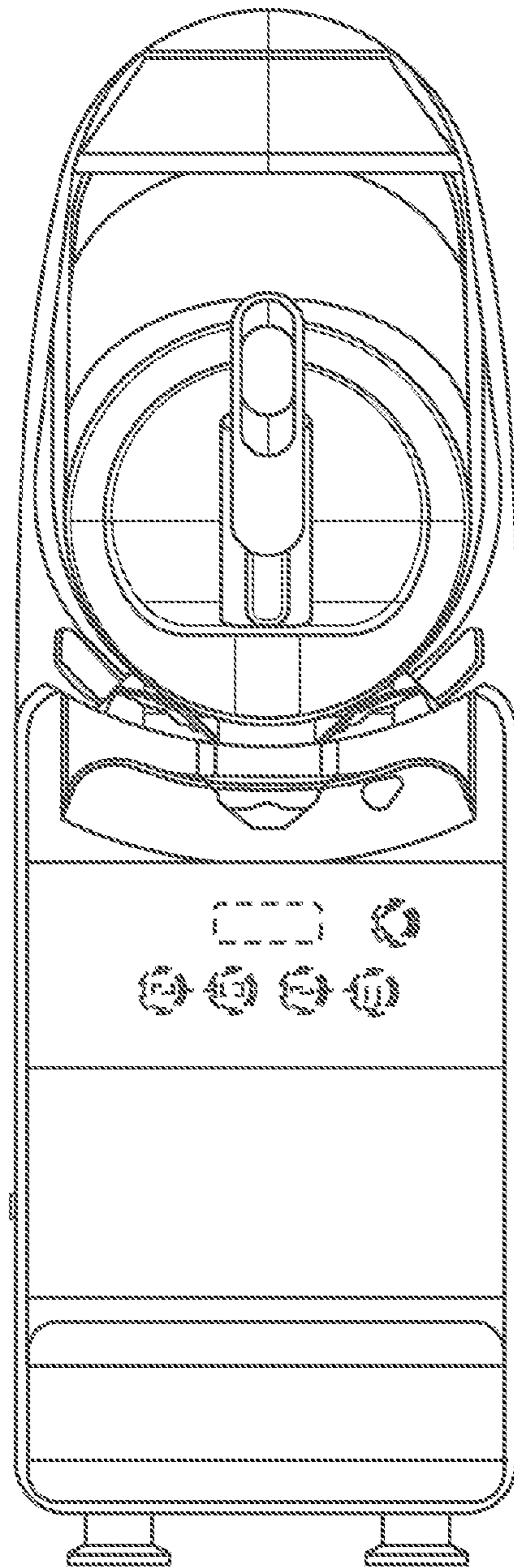


Fig. 7

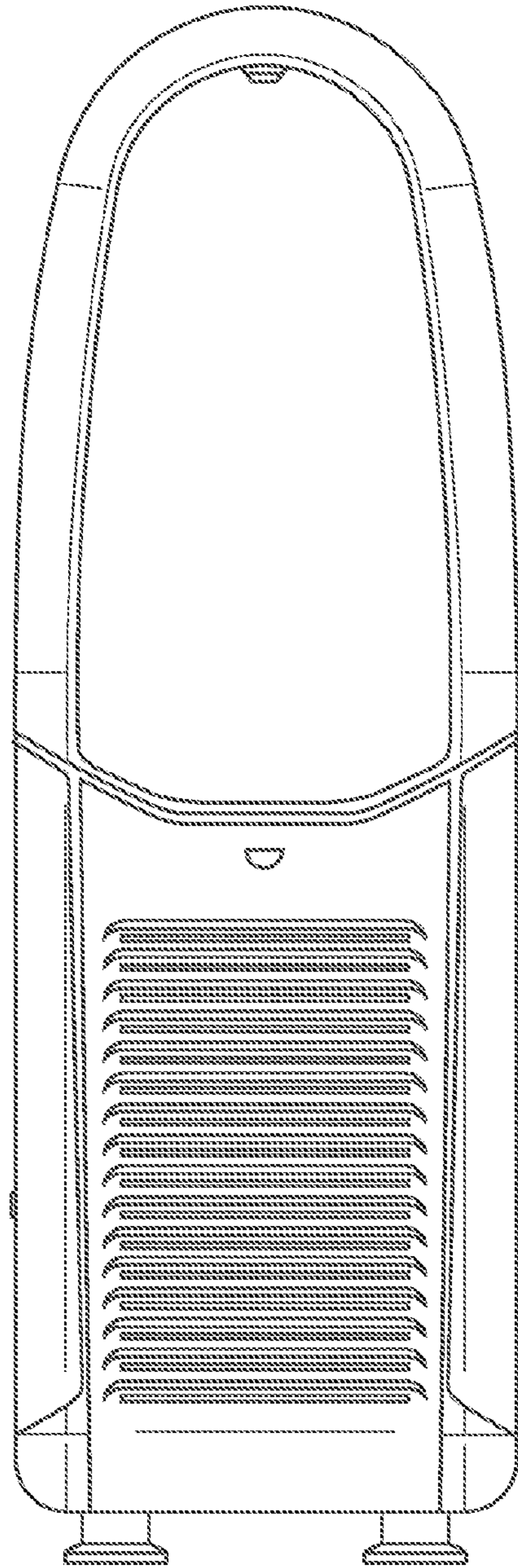


Fig. 8

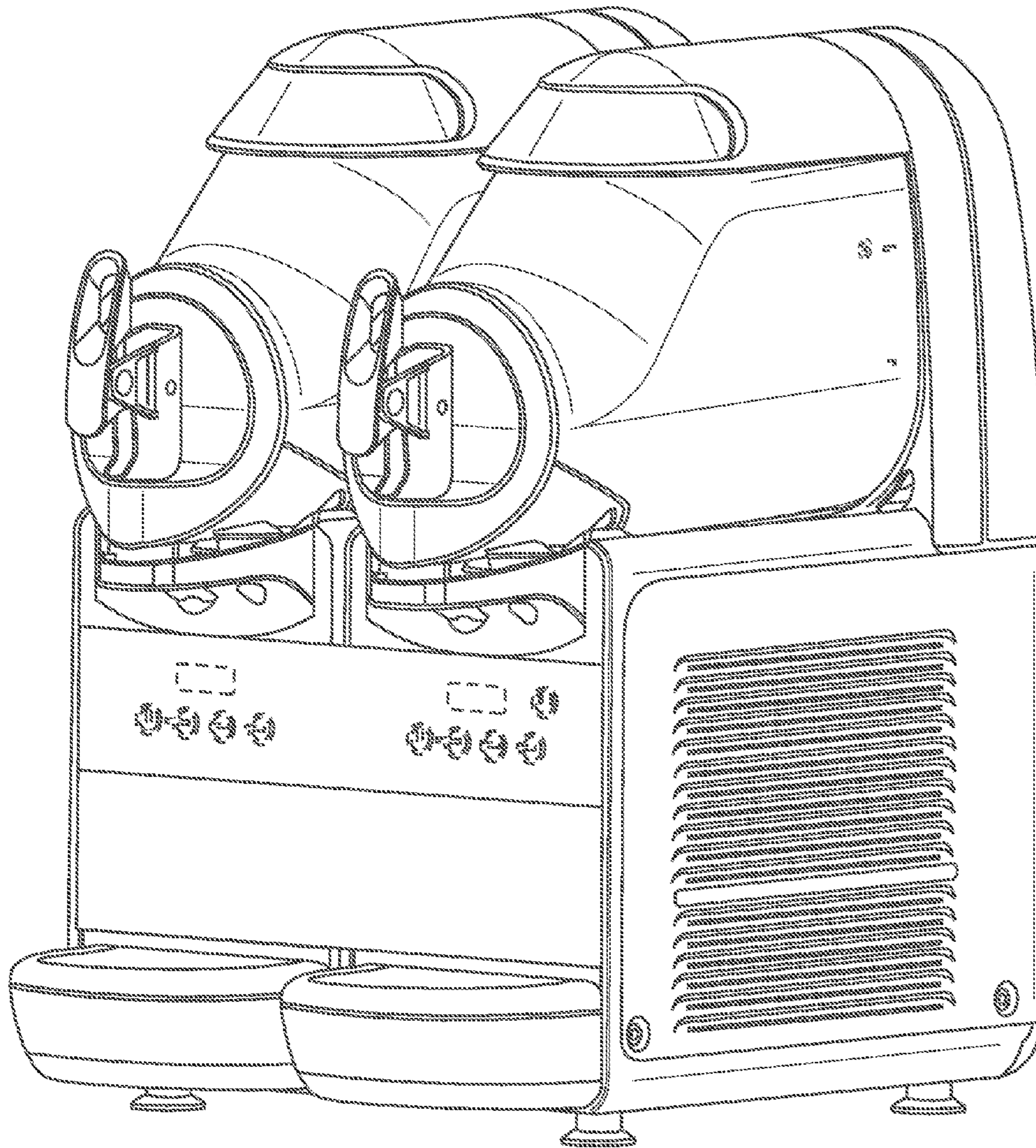


Fig. 9

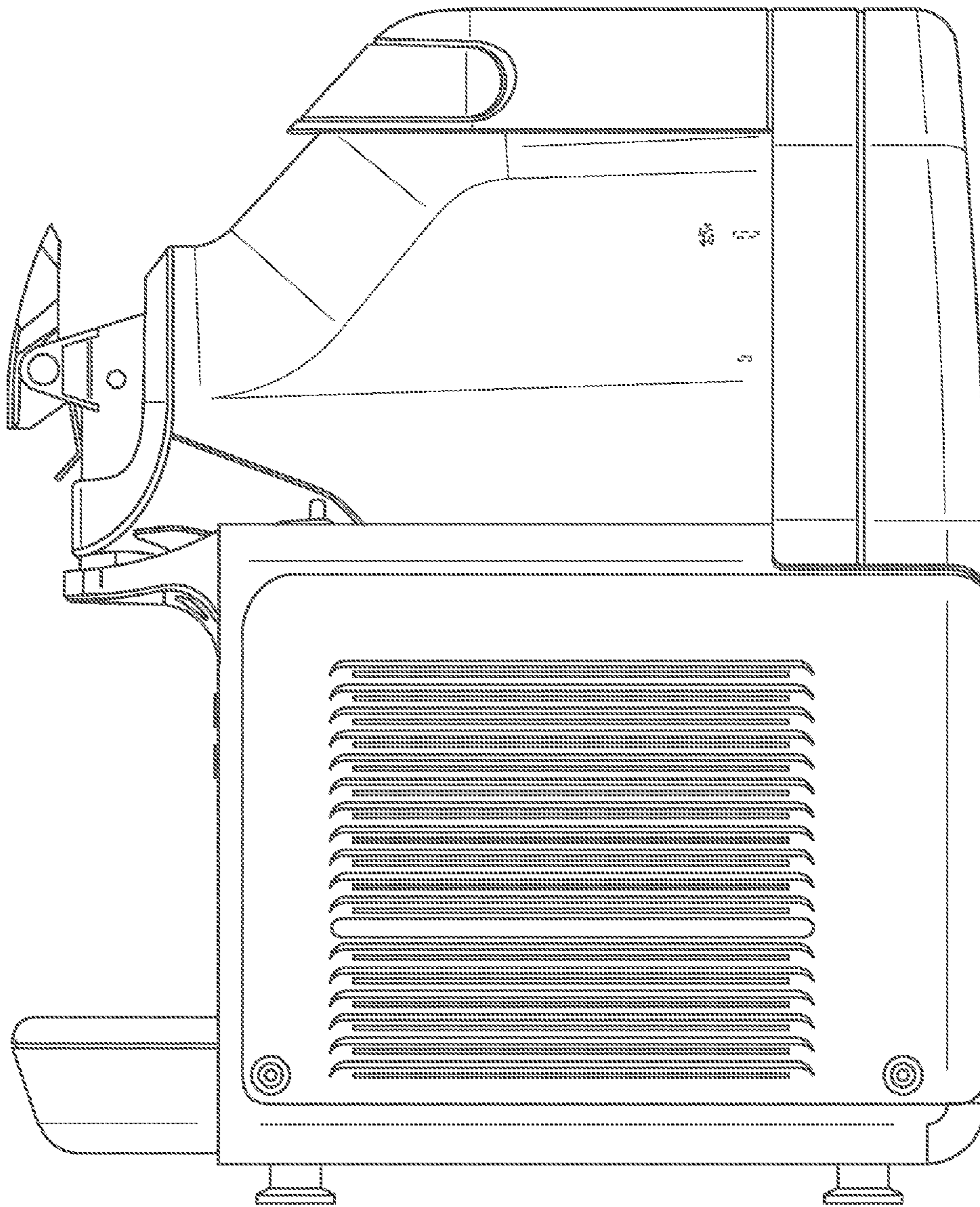


Fig. 10

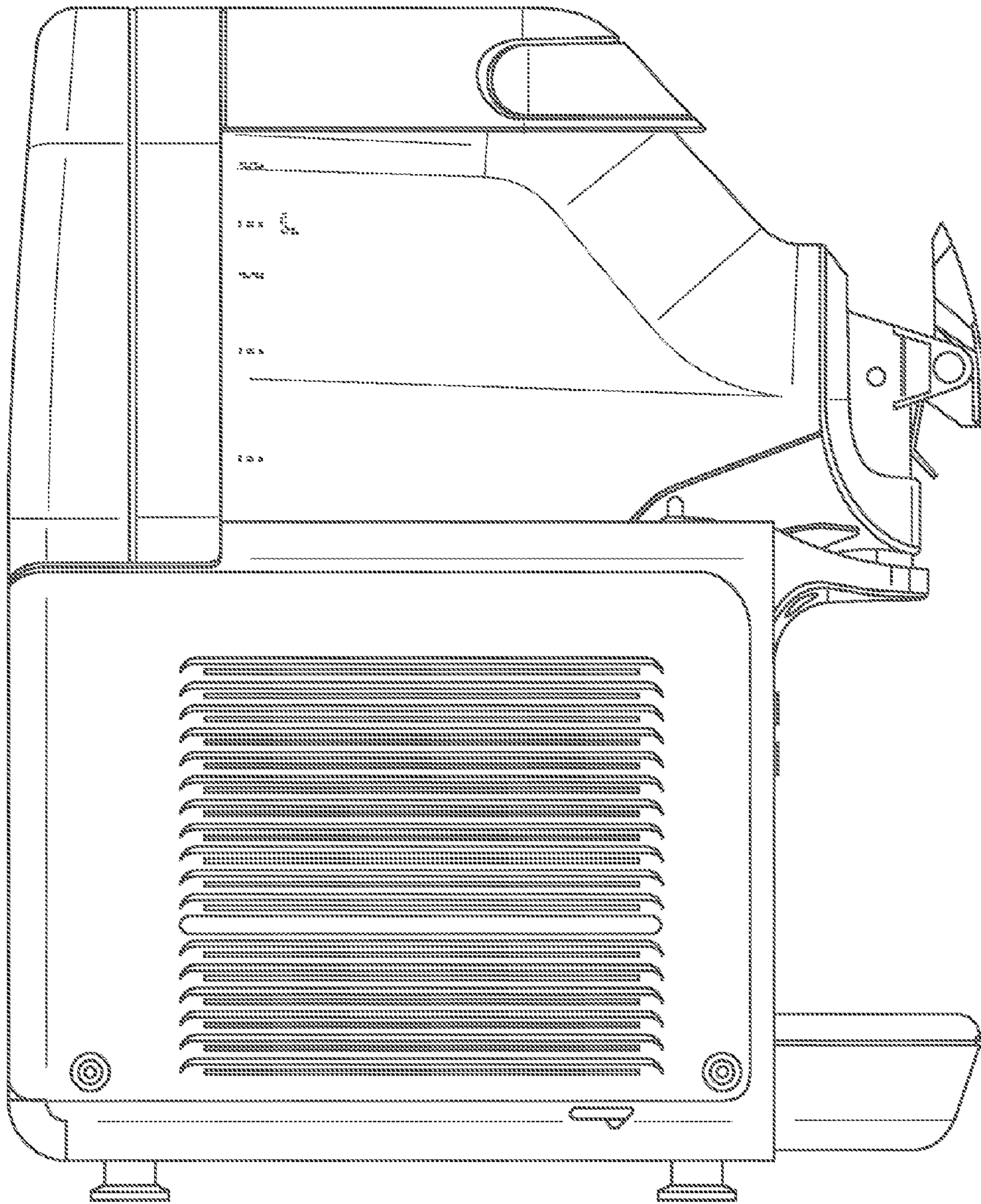


Fig. 11

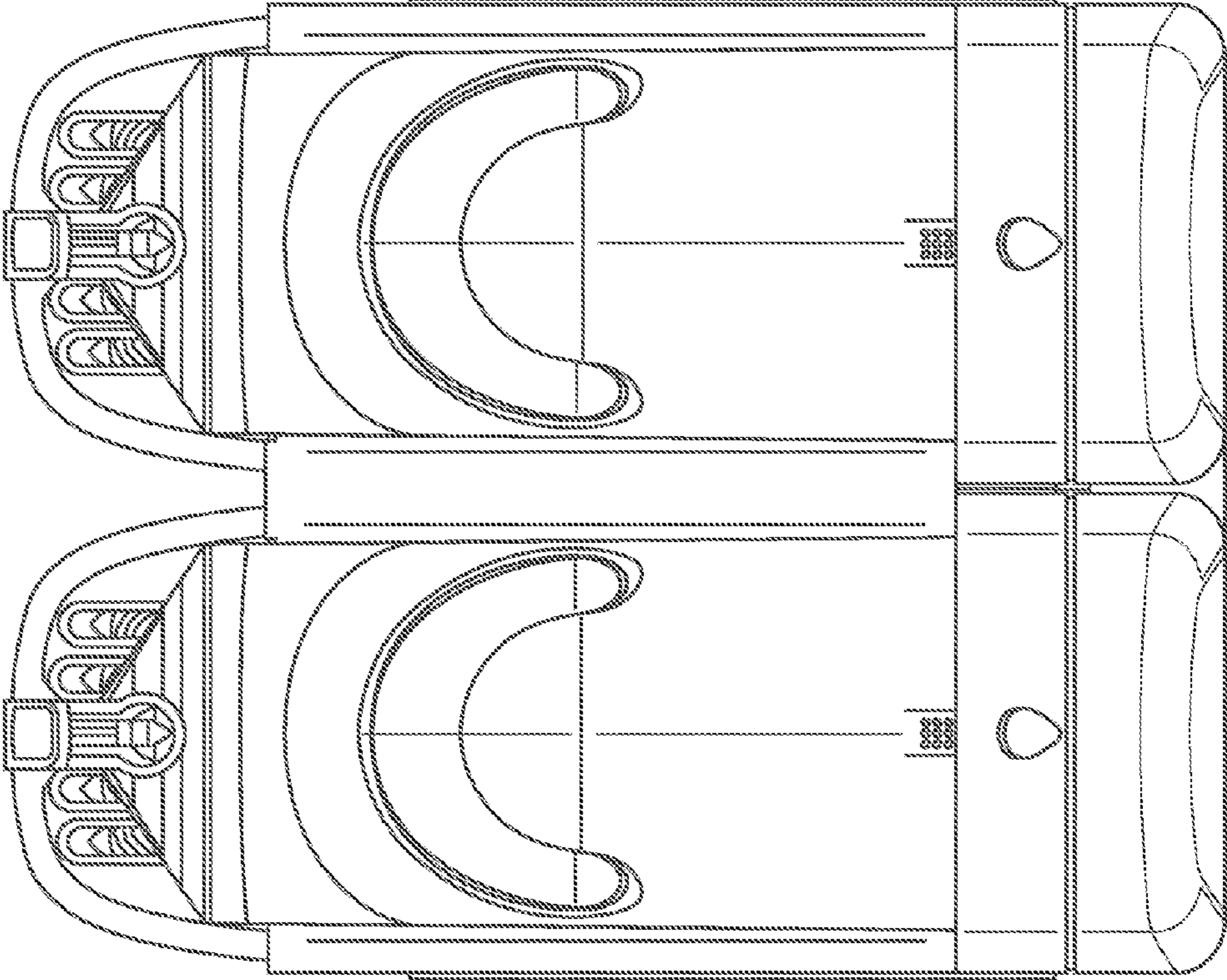


Fig. 12

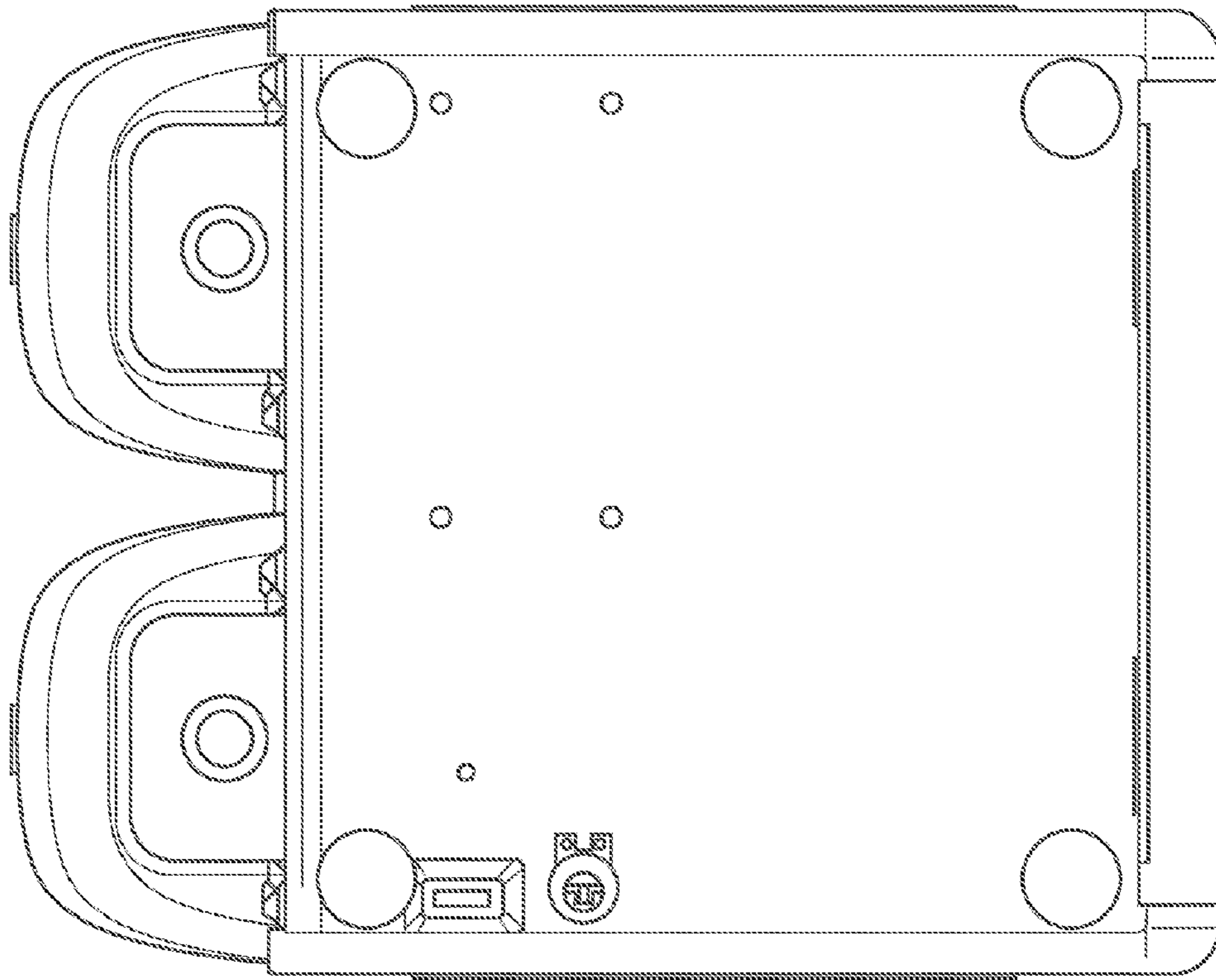


Fig. 13

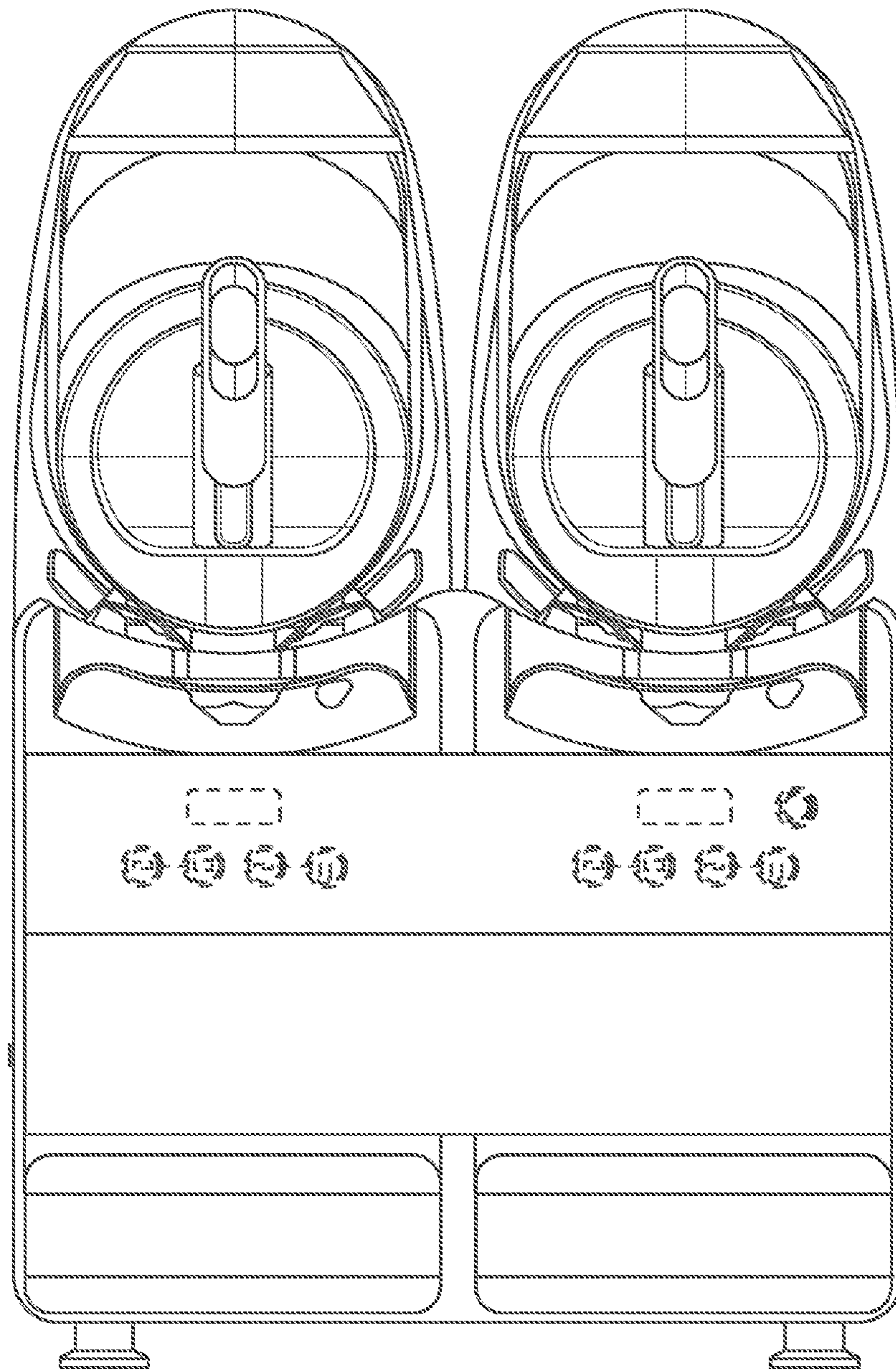


Fig. 14

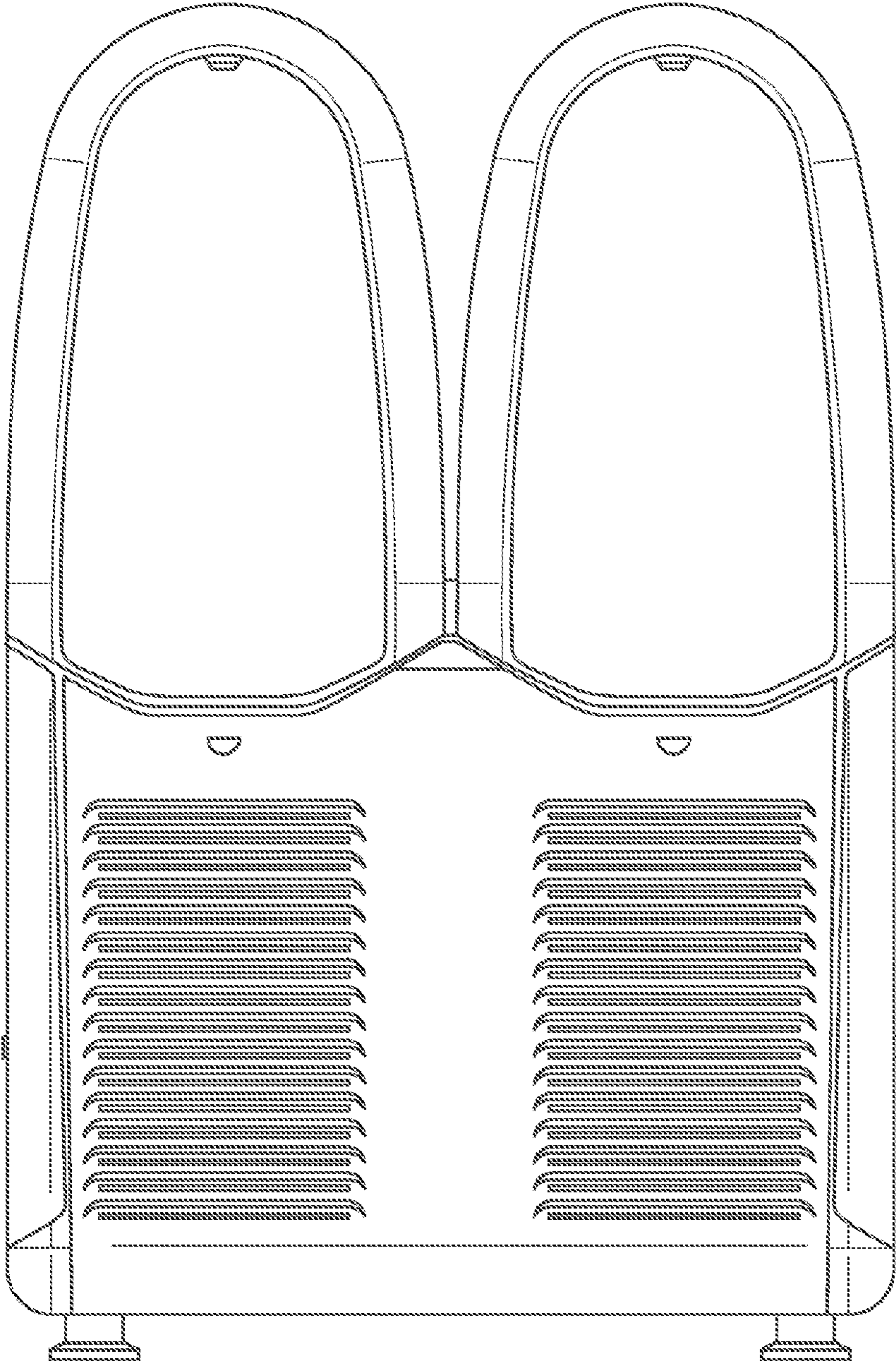


Fig. 15

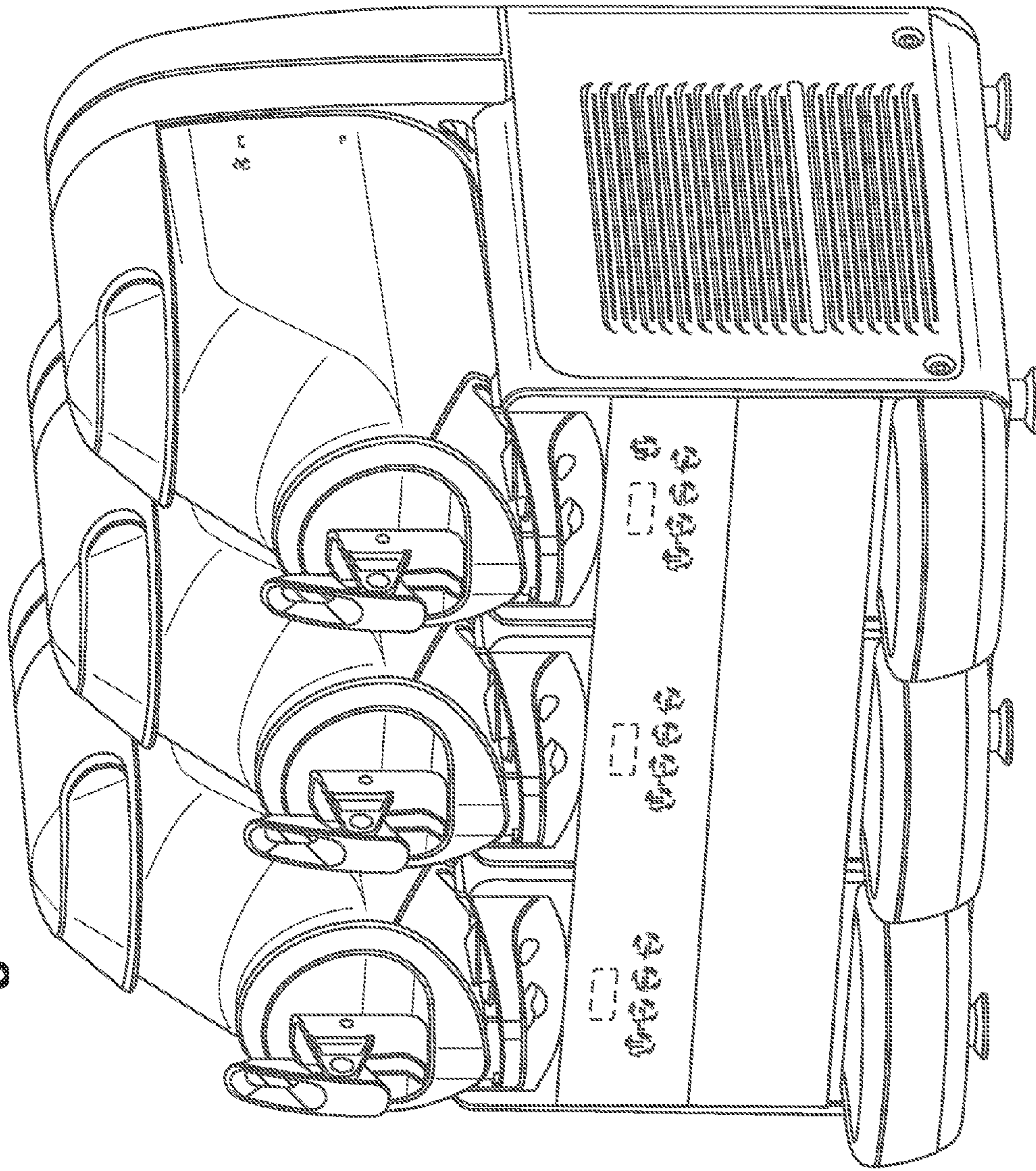


Fig. 16

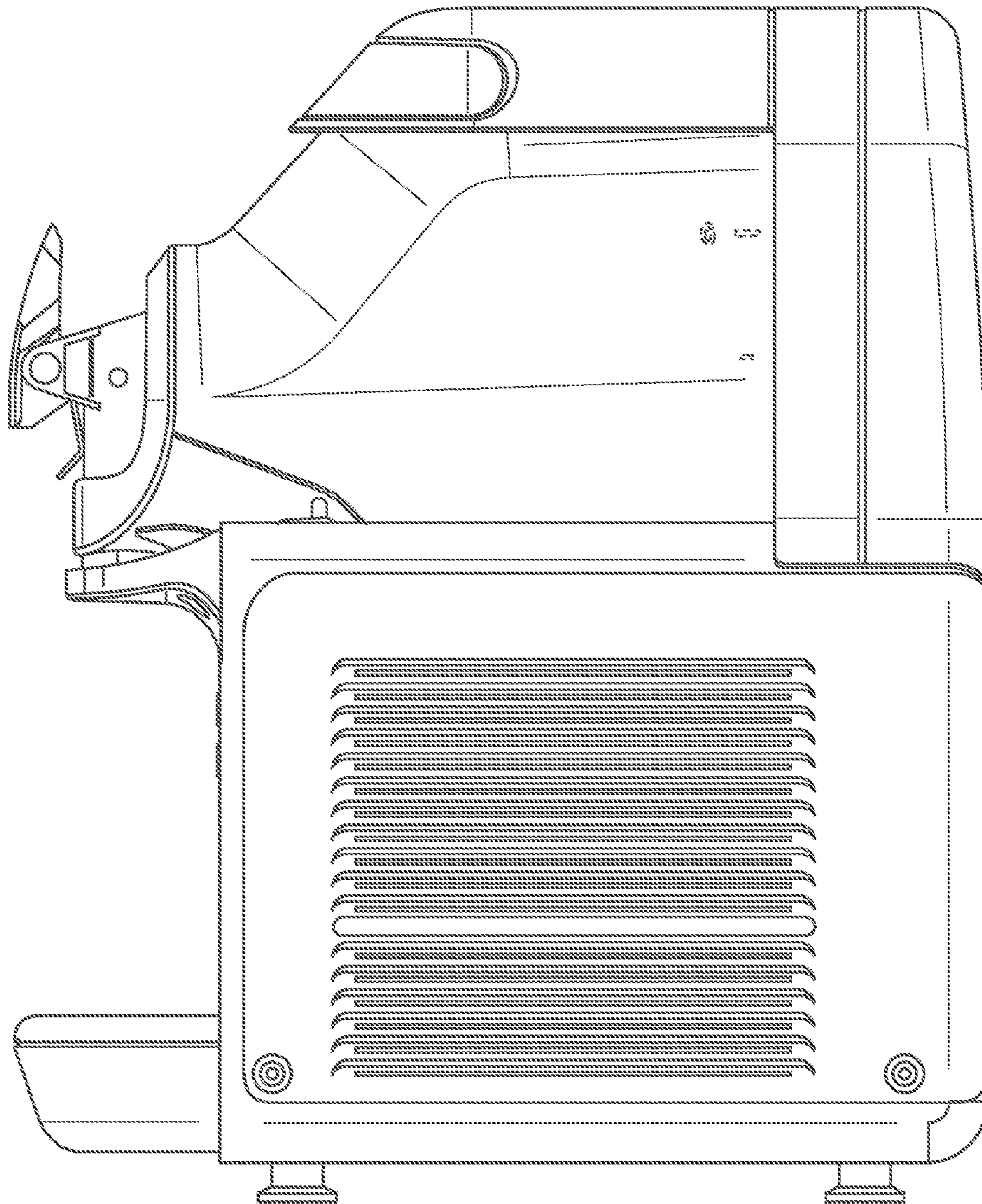


Fig. 17

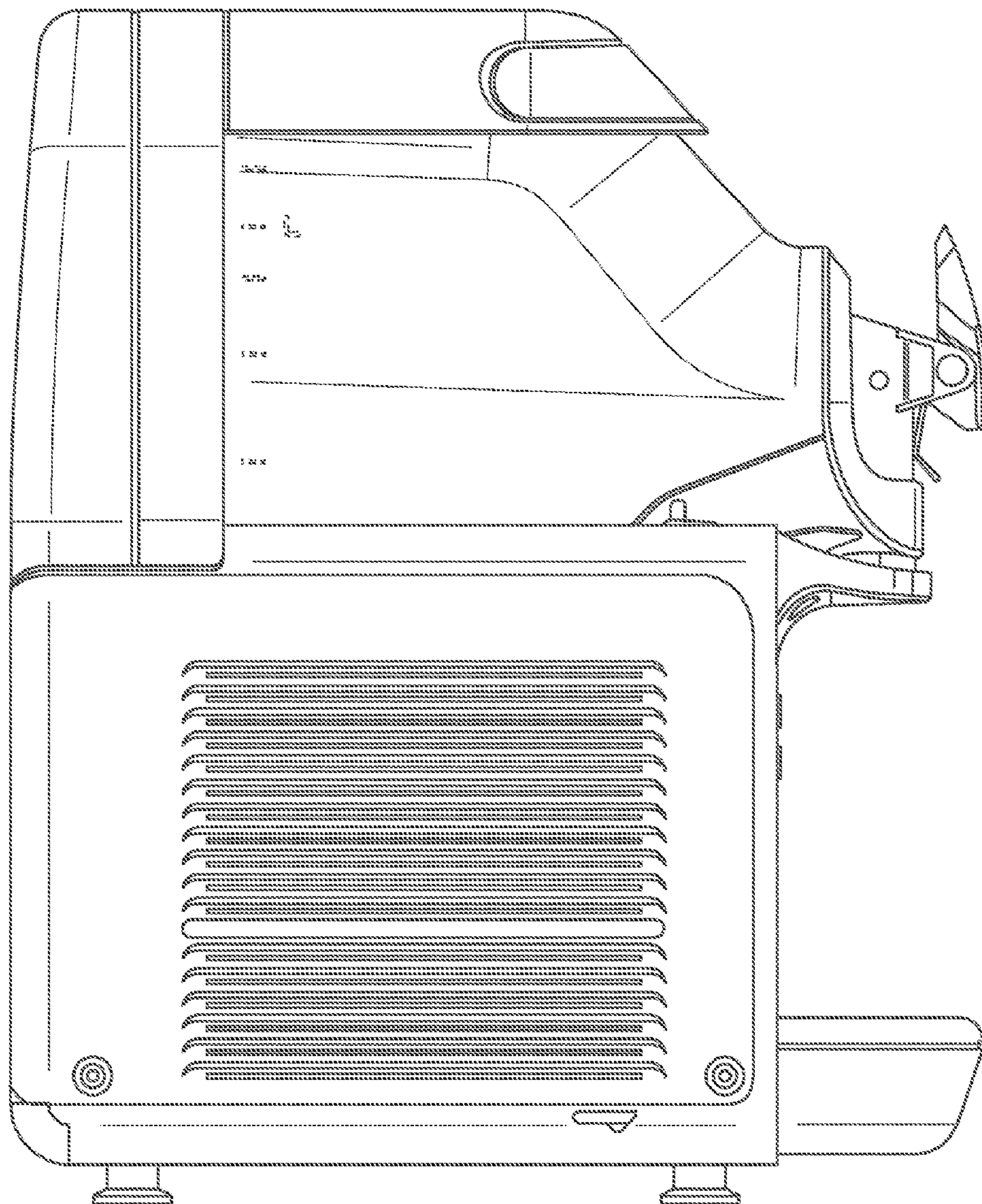


Fig. 18

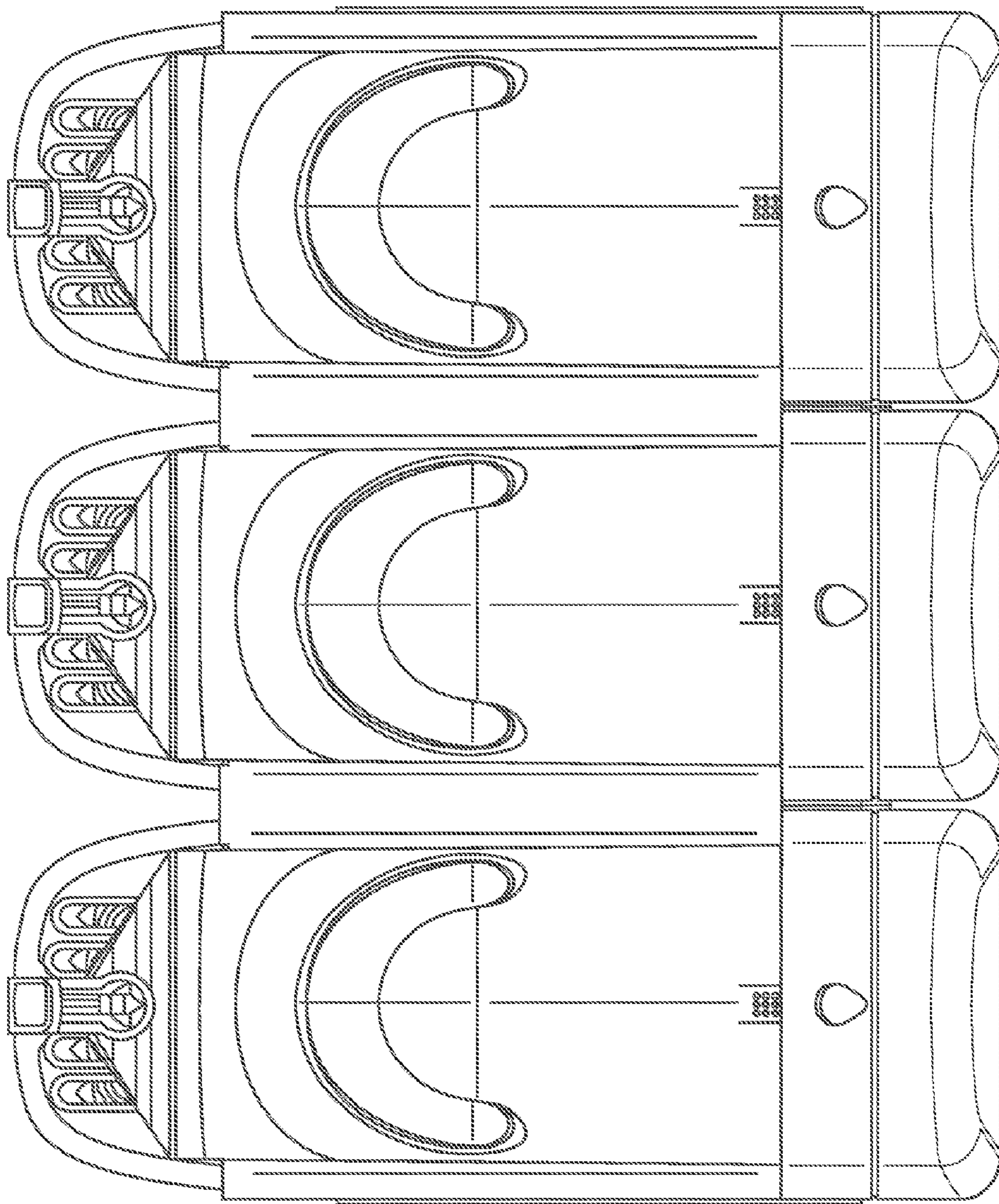


Fig. 19

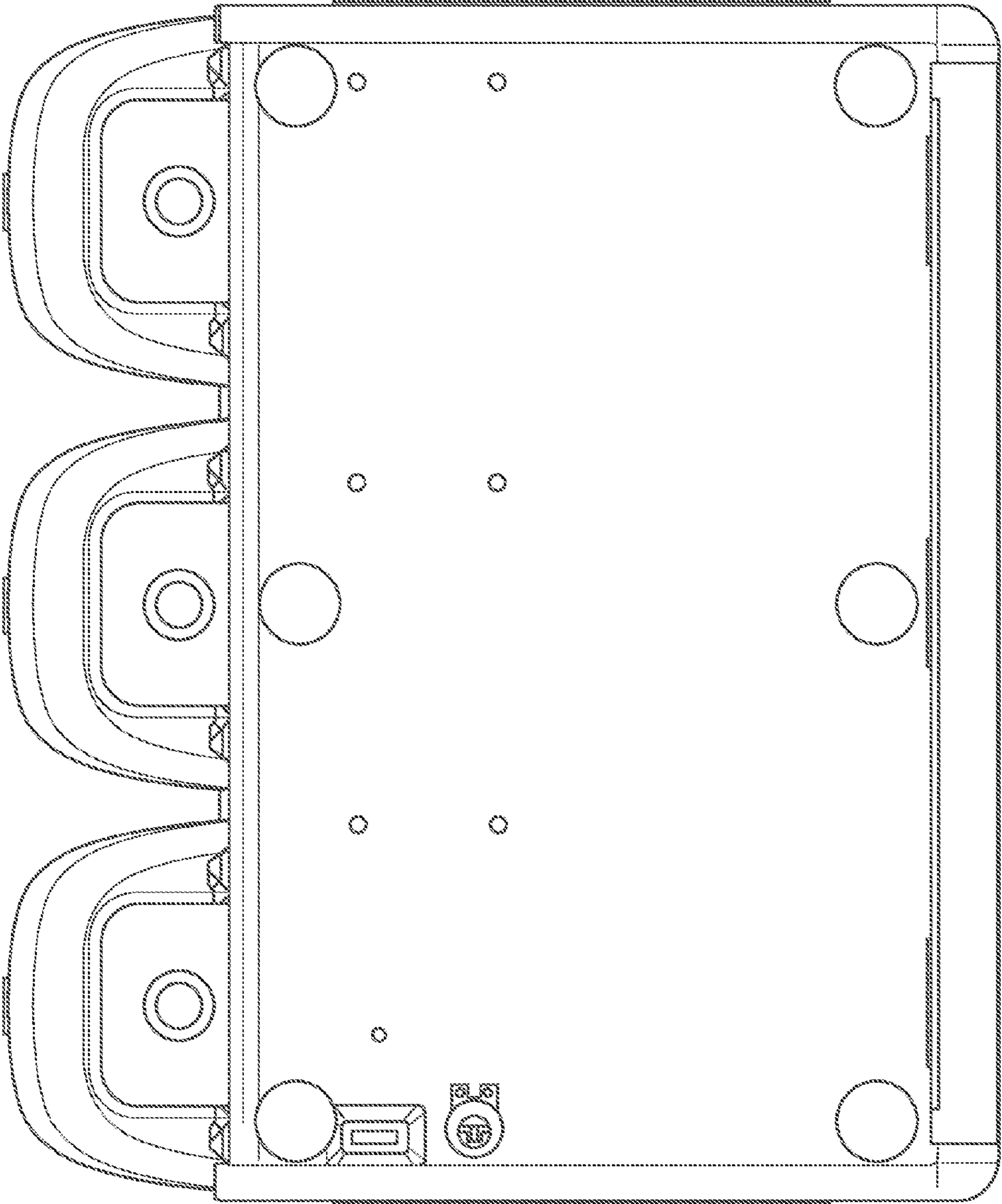


Fig. 20

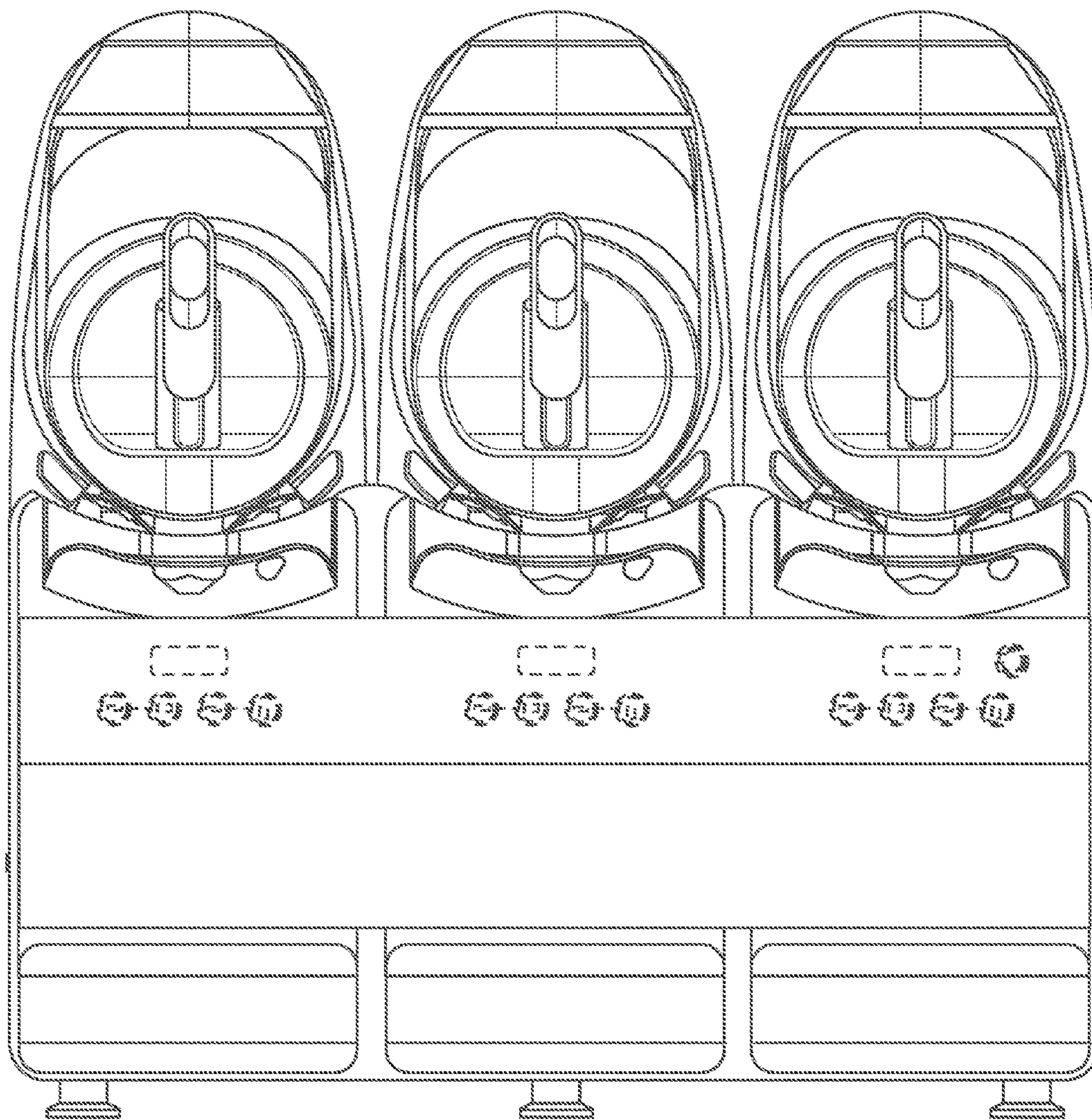


Fig. 21

