



US00D694279S

(12) **United States Design Patent**
Ewringmann

(10) **Patent No.:** **US D694,279 S**

(45) **Date of Patent:** **** Nov. 26, 2013**

(54) **ROAD ROLLER**

(71) Applicant: **Hamm AG**, Tirschenreuth (DE)

(72) Inventor: **Ulrich Ewringmann**, Taufkirchen (DE)

(73) Assignee: **Hamm AG**, Tirschenreuth (DE)

(**) Term: **14 Years**

(21) Appl. No.: **29/452,326**

(22) Filed: **Apr. 15, 2013**

(51) **LOC (9) Cl.** **15-03**

(52) **U.S. Cl.**
USPC **D15/20**

(58) **Field of Classification Search**
USPC D15/10, 20, 22–28, 33; D12/14;
180/20, 89.12; 404/122–125, 117, 128,
404/132, 90; 280/104, 124.111; 73/82, 84,
73/78, 573
See application file for complete search history.

(56) **References Cited**

U.S. PATENT DOCUMENTS

D207,532 S *	5/1967	Garis et al.	D15/20
D208,694 S *	9/1967	Harbke	D15/20
D275,678 S *	9/1984	Mawhorr et al.	D15/20
D396,431 S *	7/1998	Lindgren et al.	D12/14
D500,329 S *	12/2004	Bauve et al.	D15/28
D516,094 S *	2/2006	Dotsch et al.	D15/20
D573,611 S *	7/2008	Geier	D15/20
D589,067 S *	3/2009	Yamamoto	D15/28
D592,682 S *	5/2009	Haubrich et al.	D15/20
D602,506 S *	10/2009	Marsolek et al.	D15/30
D607,473 S *	1/2010	Haubrich et al.	D15/20

D611,505 S *	3/2010	Loew et al.	D15/20
D611,506 S *	3/2010	Loew et al.	D15/20
D668,269 S *	10/2012	Tezuka et al.	D15/20

* cited by examiner

Primary Examiner — Mark Goodwin

(74) *Attorney, Agent, or Firm* — Maier & Maier, PLLC

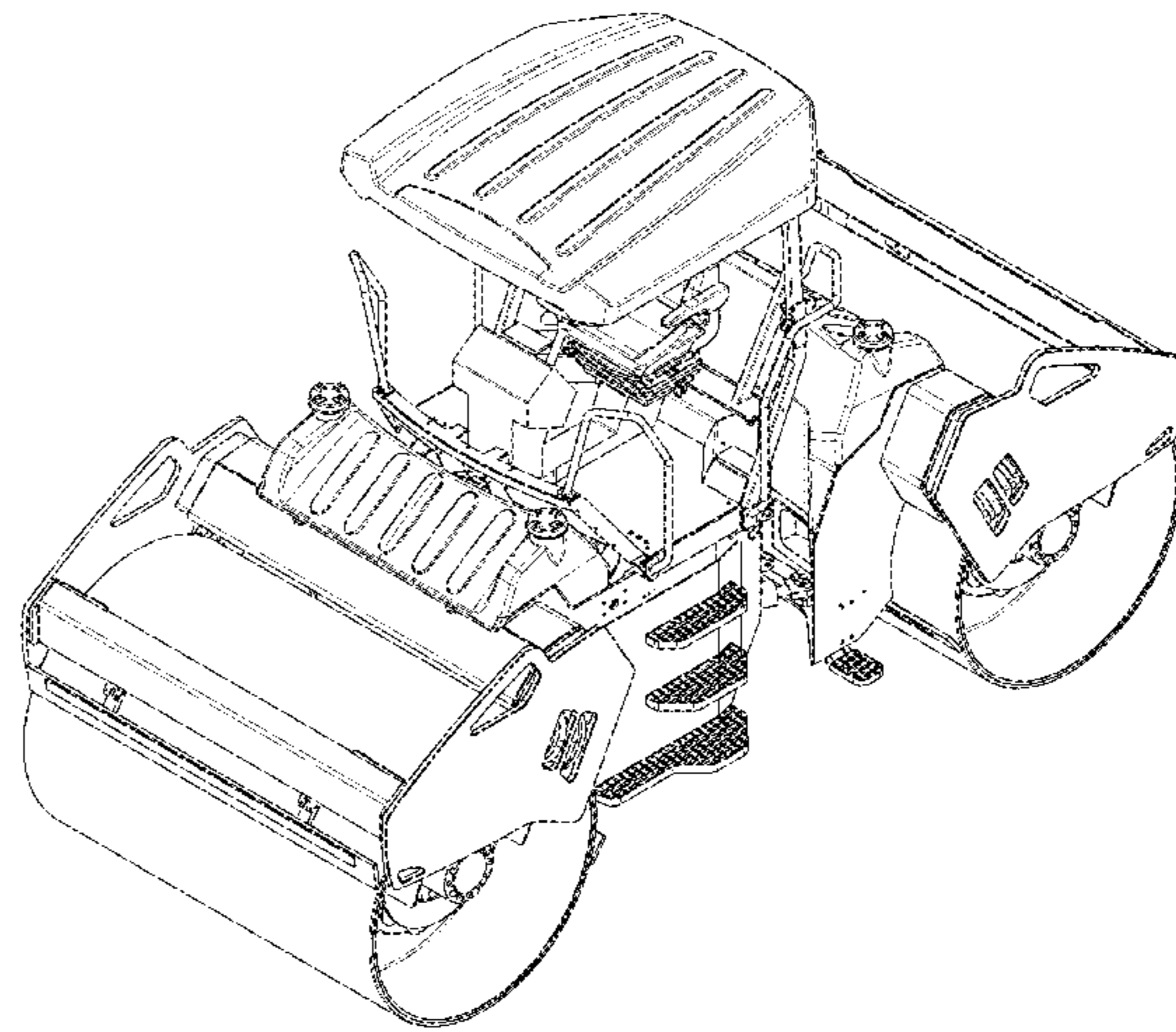
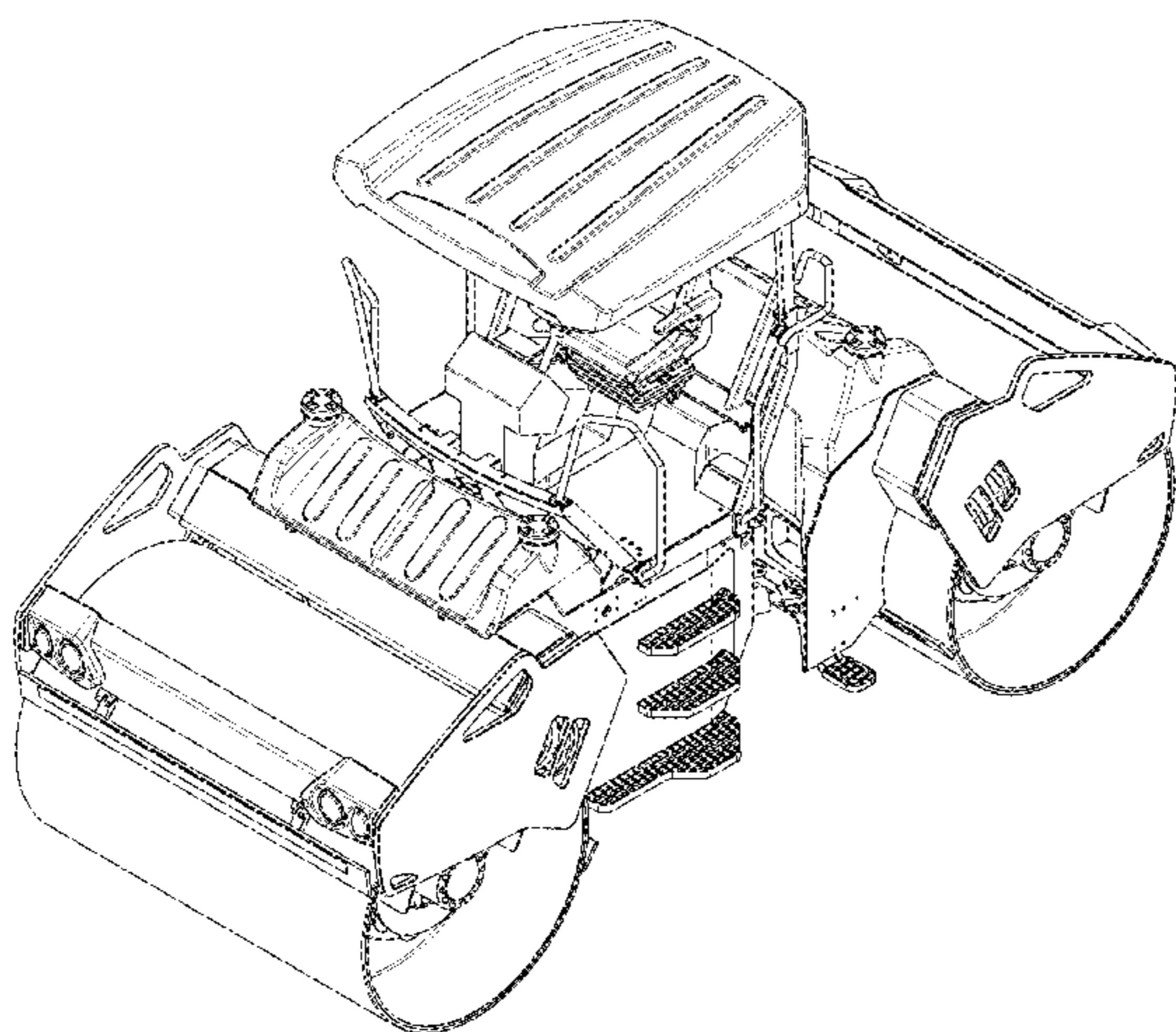
(57) **CLAIM**

The ornamental design for a road roller, as shown and described.

DESCRIPTION

FIG. 1 is a front left perspective view of a first embodiment of a road roller, showing my design;
 FIG. 2 is a rear right perspective view thereof;
 FIG. 3 is a front view thereof;
 FIG. 4 is a rear view thereof;
 FIG. 5 is a left side view thereof;
 FIG. 6 is a right side view thereof;
 FIG. 7 is a top view thereof;
 FIG. 8 is a bottom view thereof;
 FIG. 9 is a front left perspective view of a second embodiment of a road roller;
 FIG. 10 is a rear right perspective view thereof;
 FIG. 11 is a front view thereof;
 FIG. 12 is a rear view thereof;
 FIG. 13 is a left side view thereof;
 FIG. 14 is a right side view thereof;
 FIG. 15 is a top view thereof; and,
 FIG. 16 is a bottom view thereof.

1 Claim, 16 Drawing Sheets



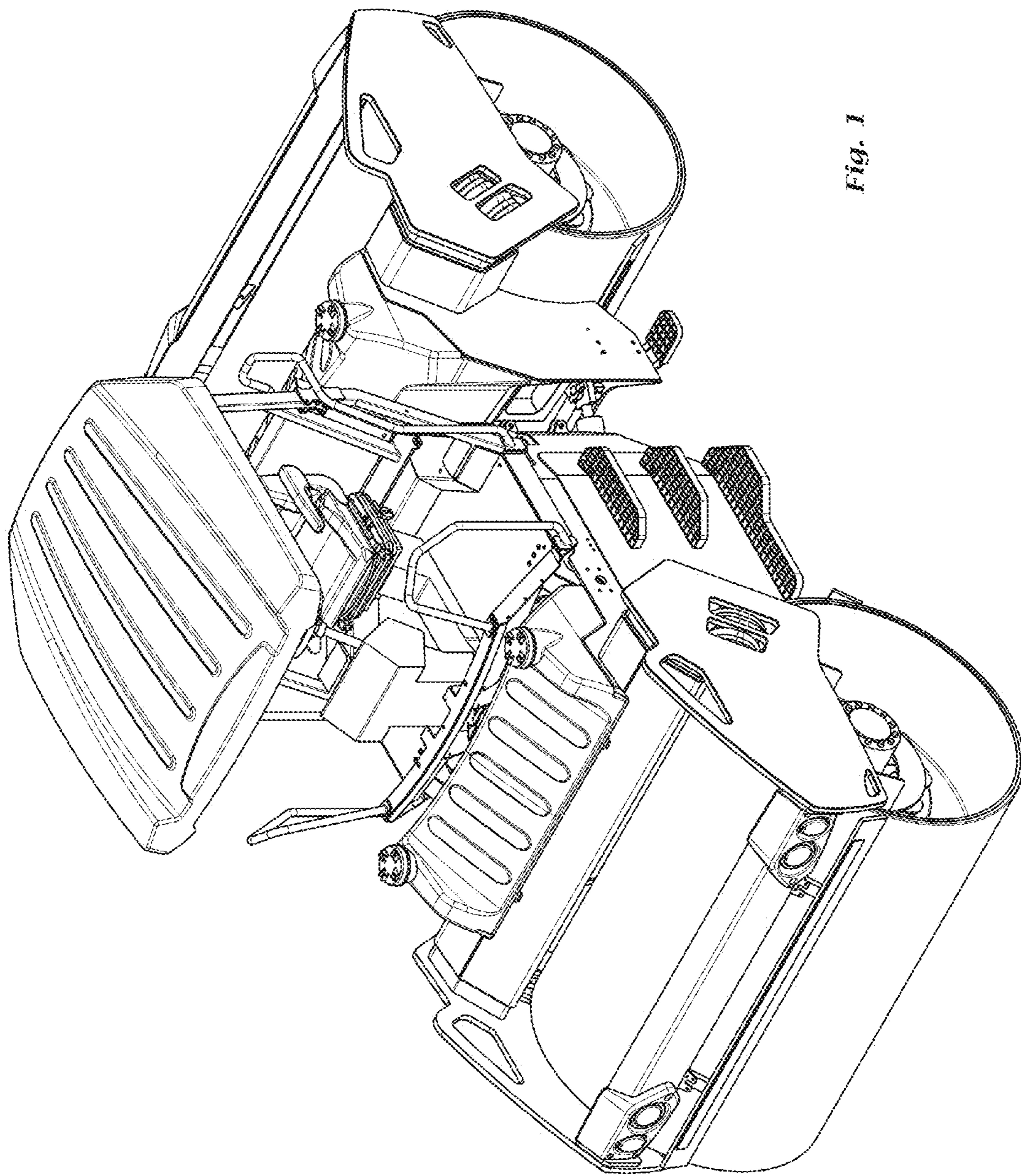


Fig. 1

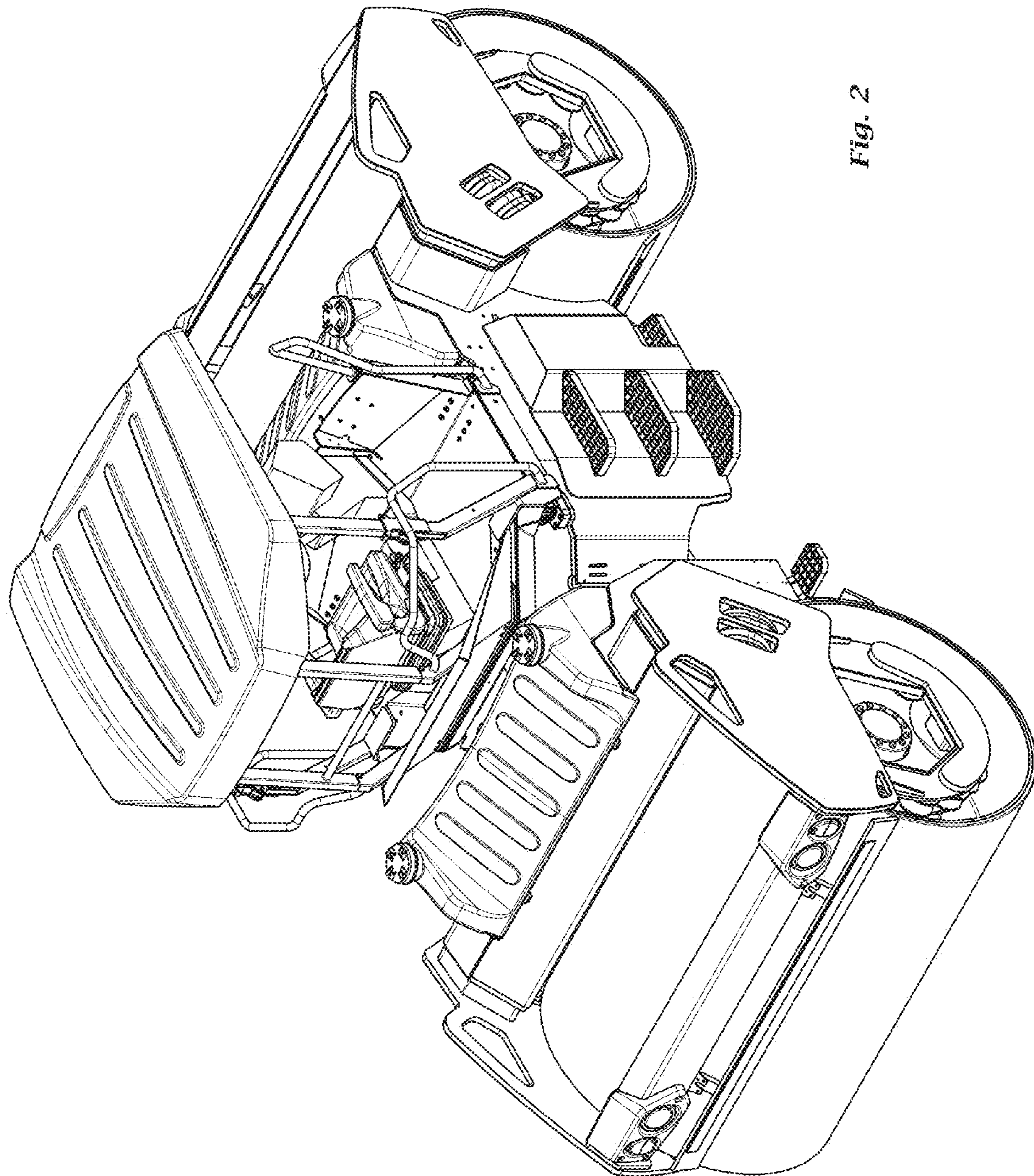


Fig. 2

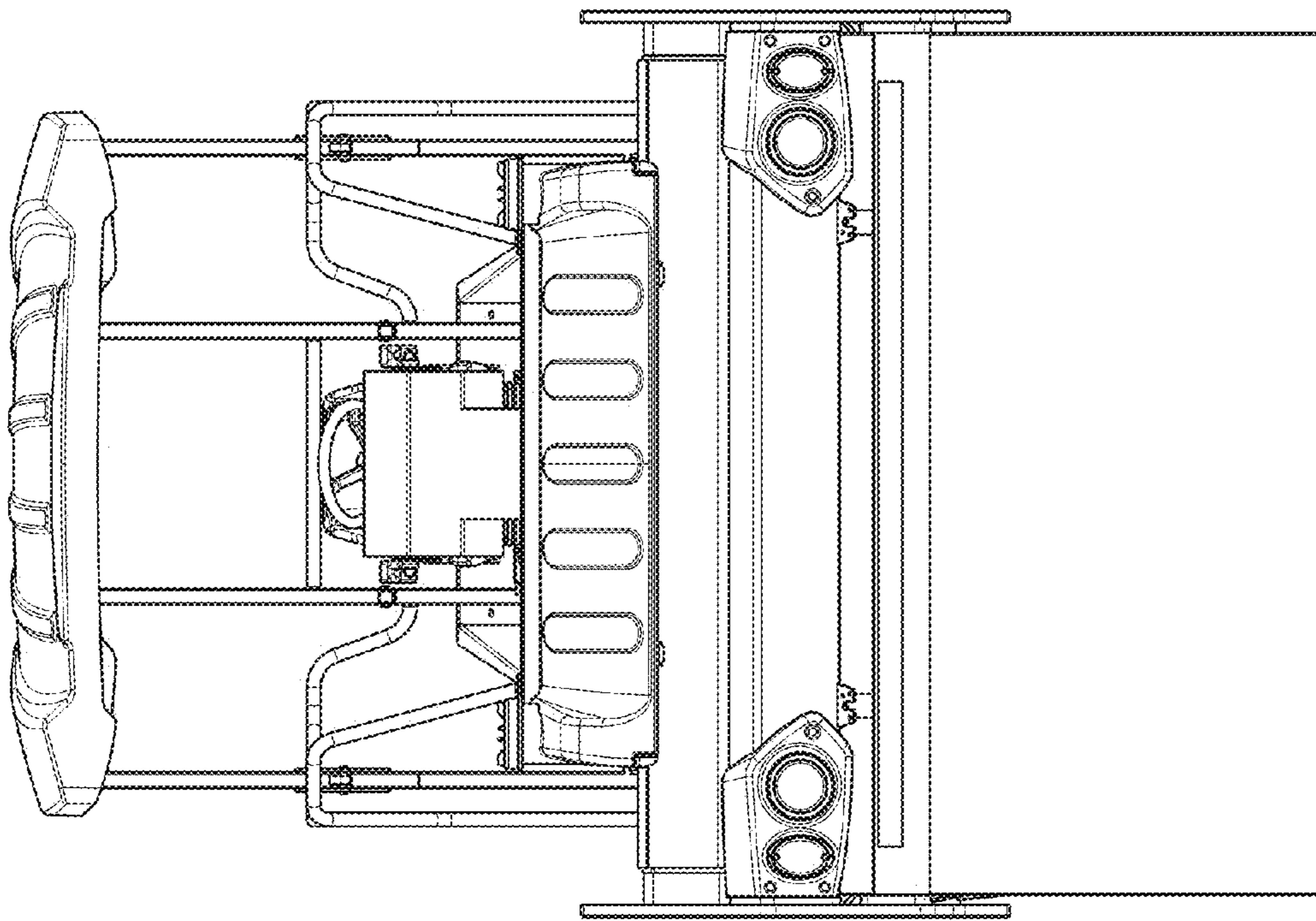


Fig. 3

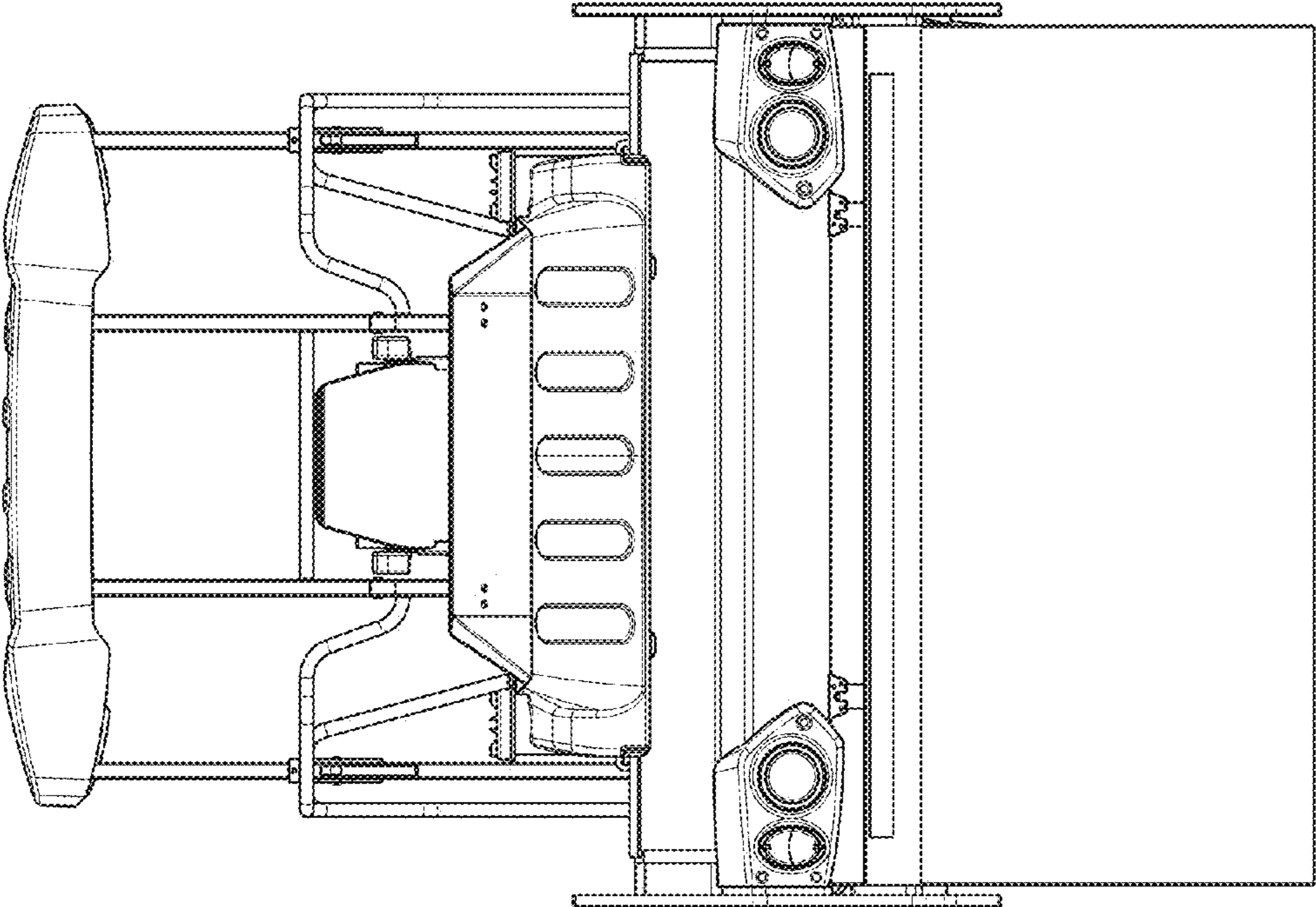


Fig. 4

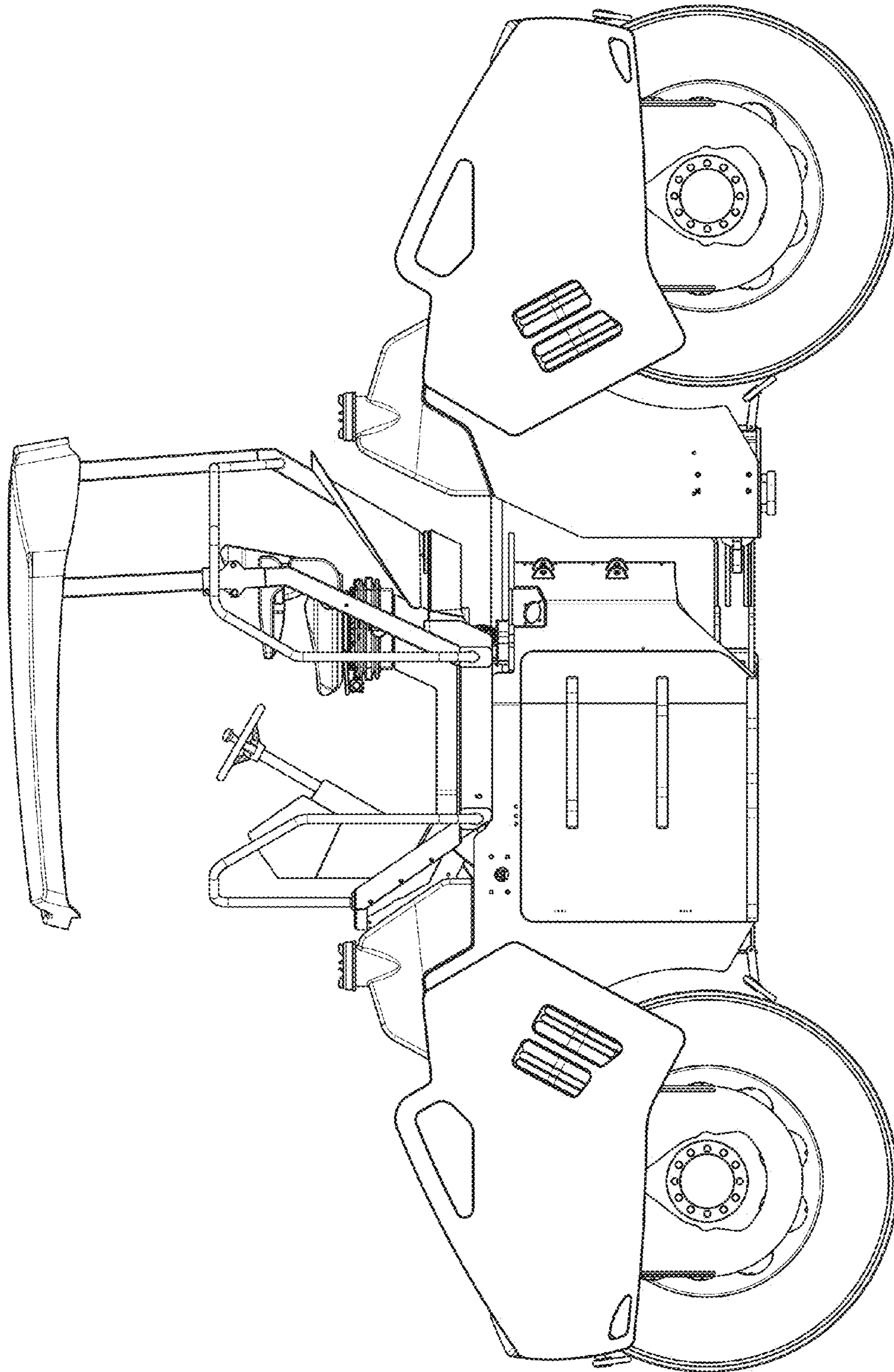


Fig. 5

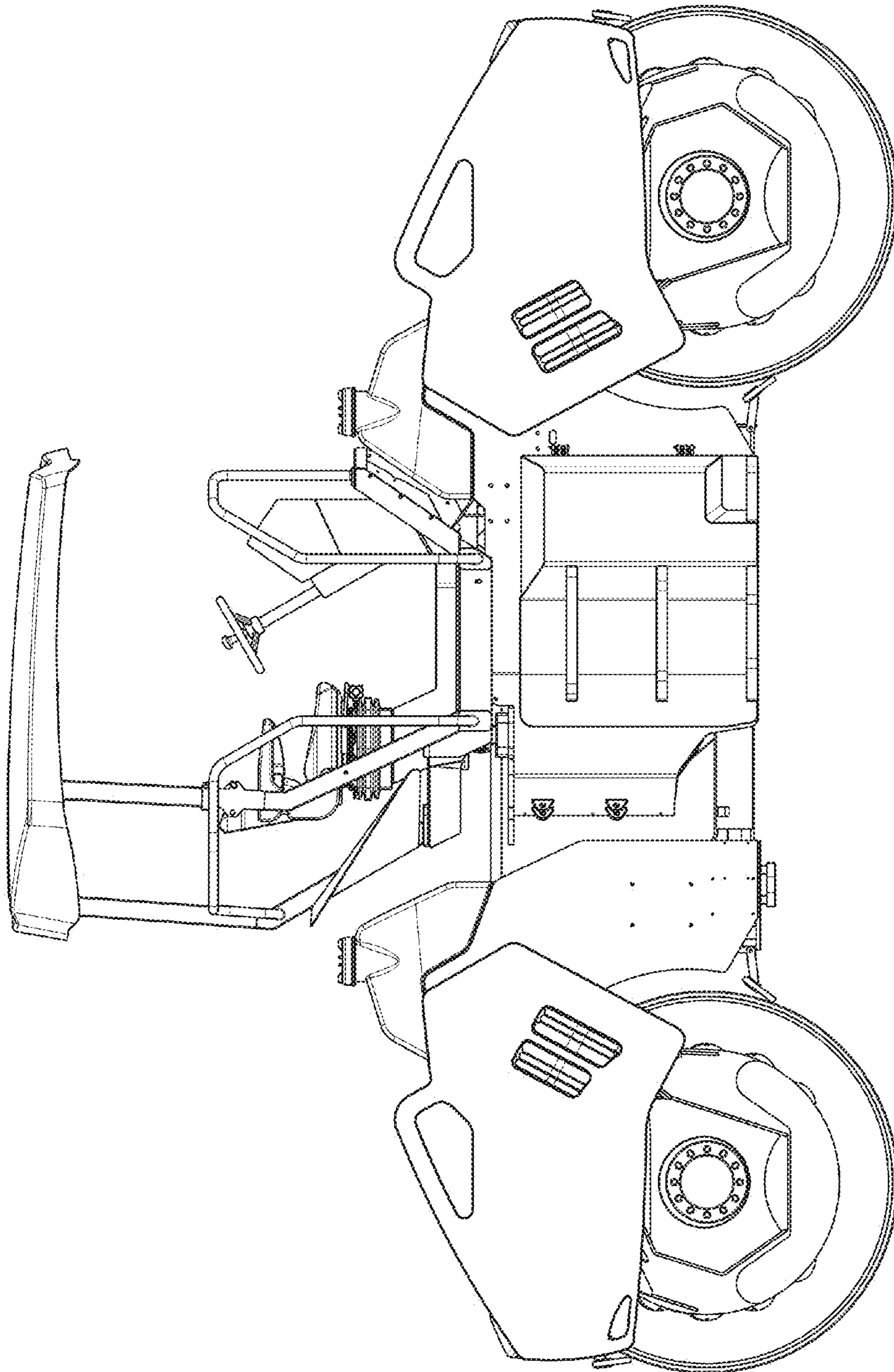


Fig. 6

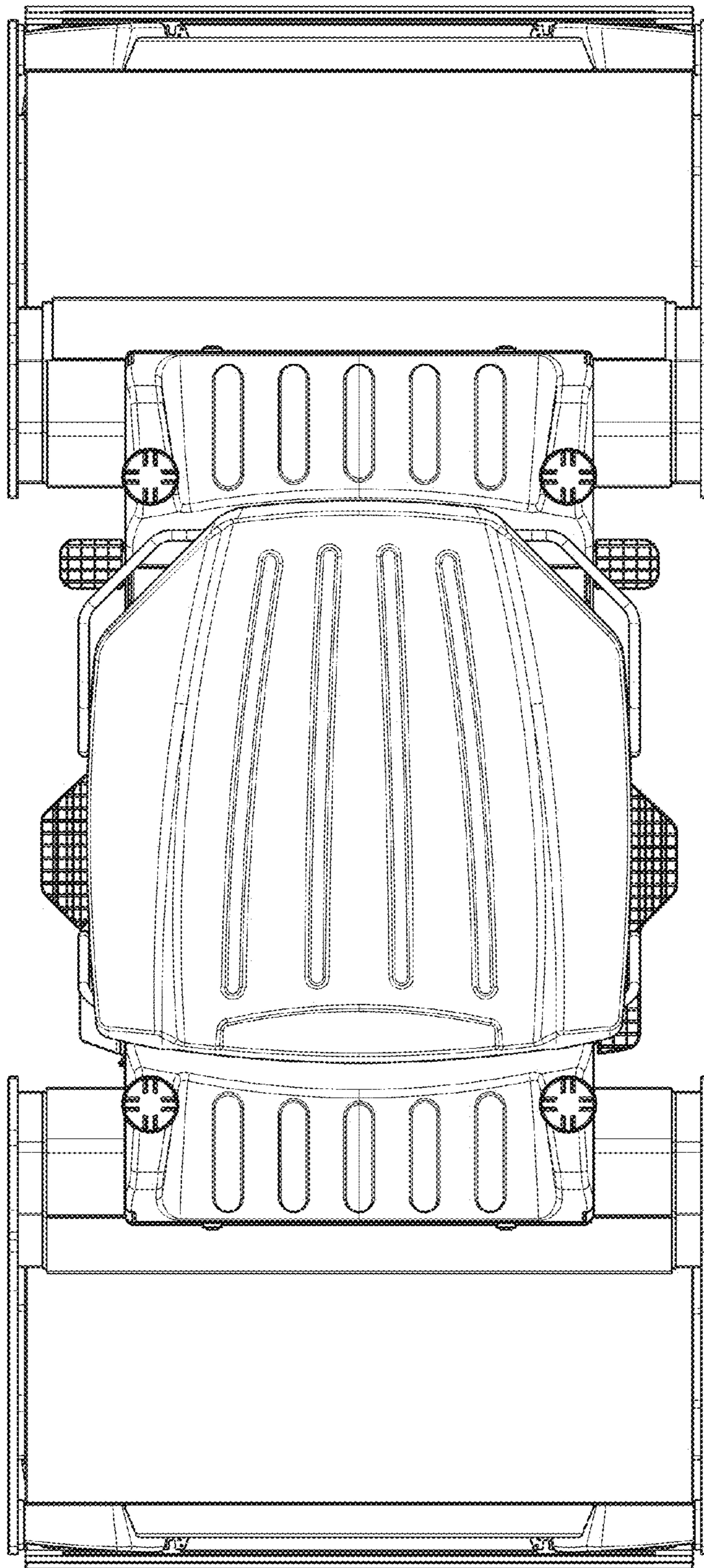


Fig. 7

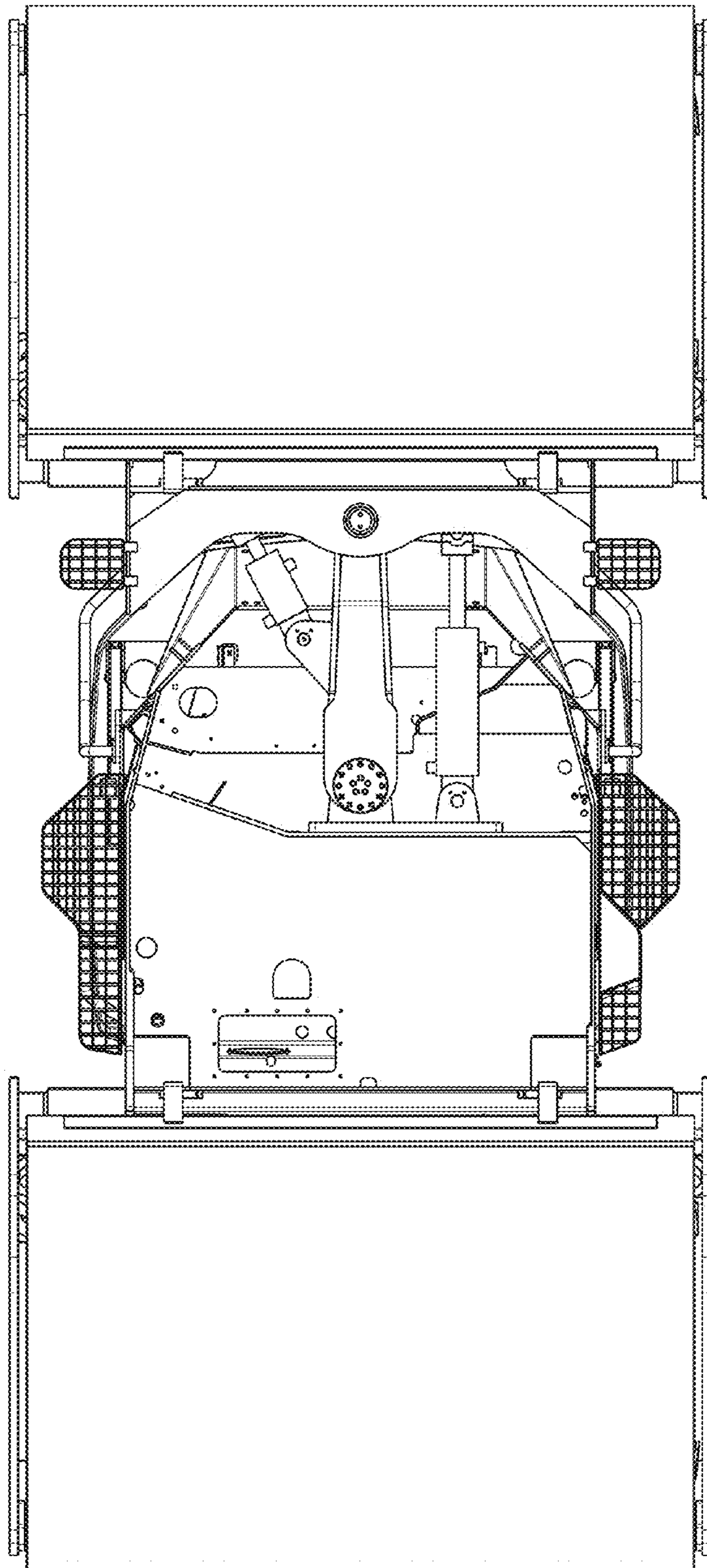


Fig. 8

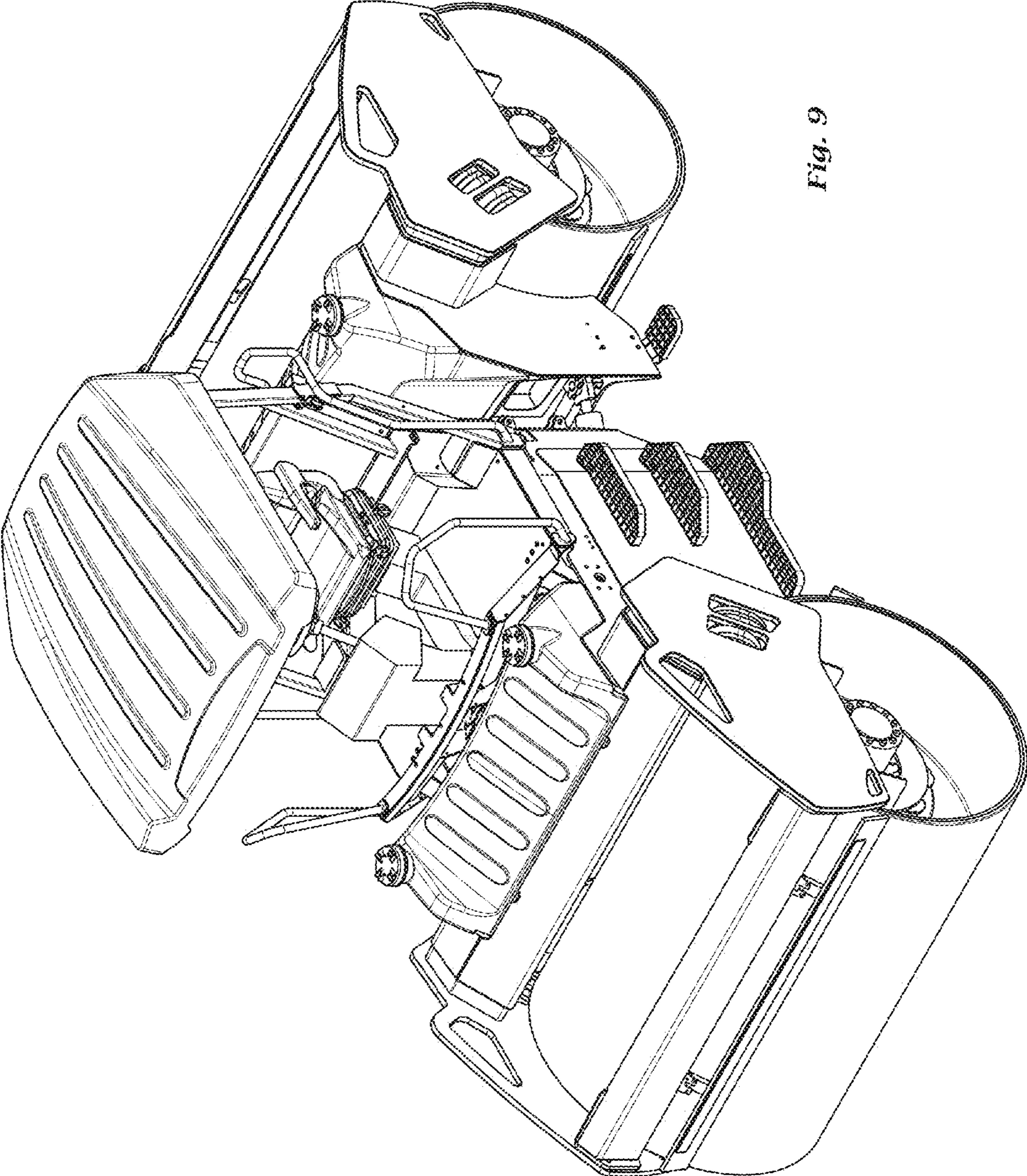


Fig. 9

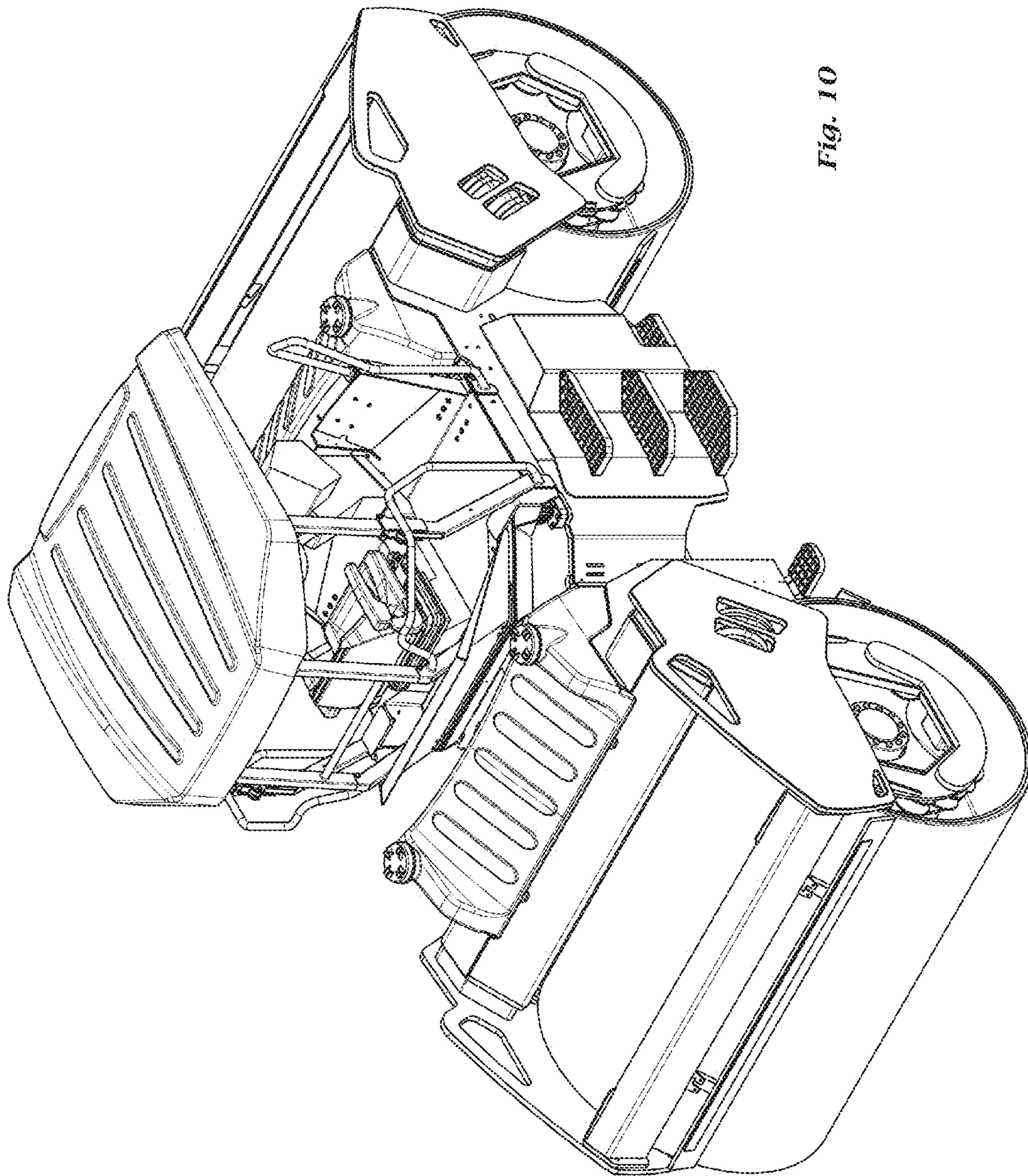


Fig. 10

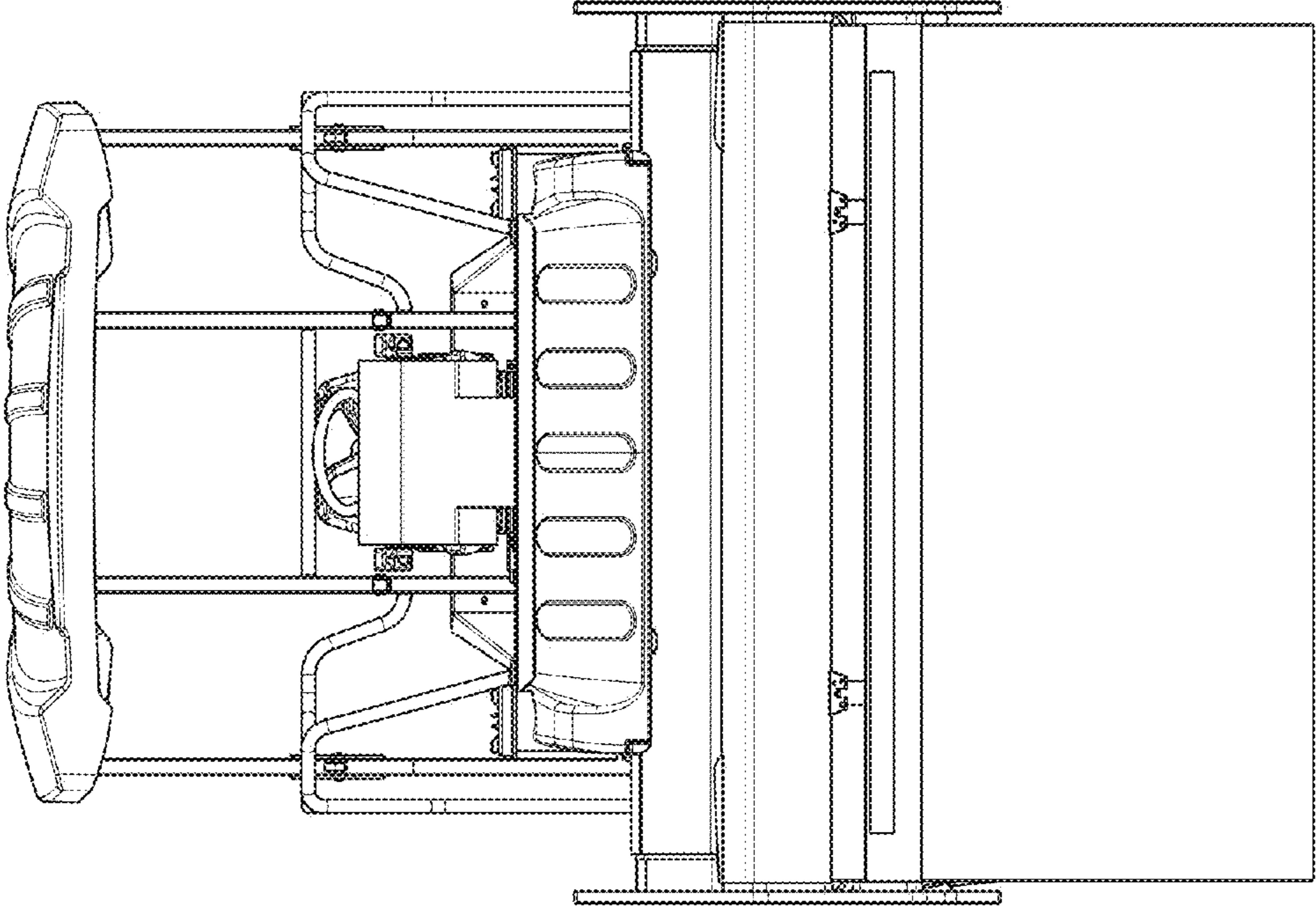


Fig. 11

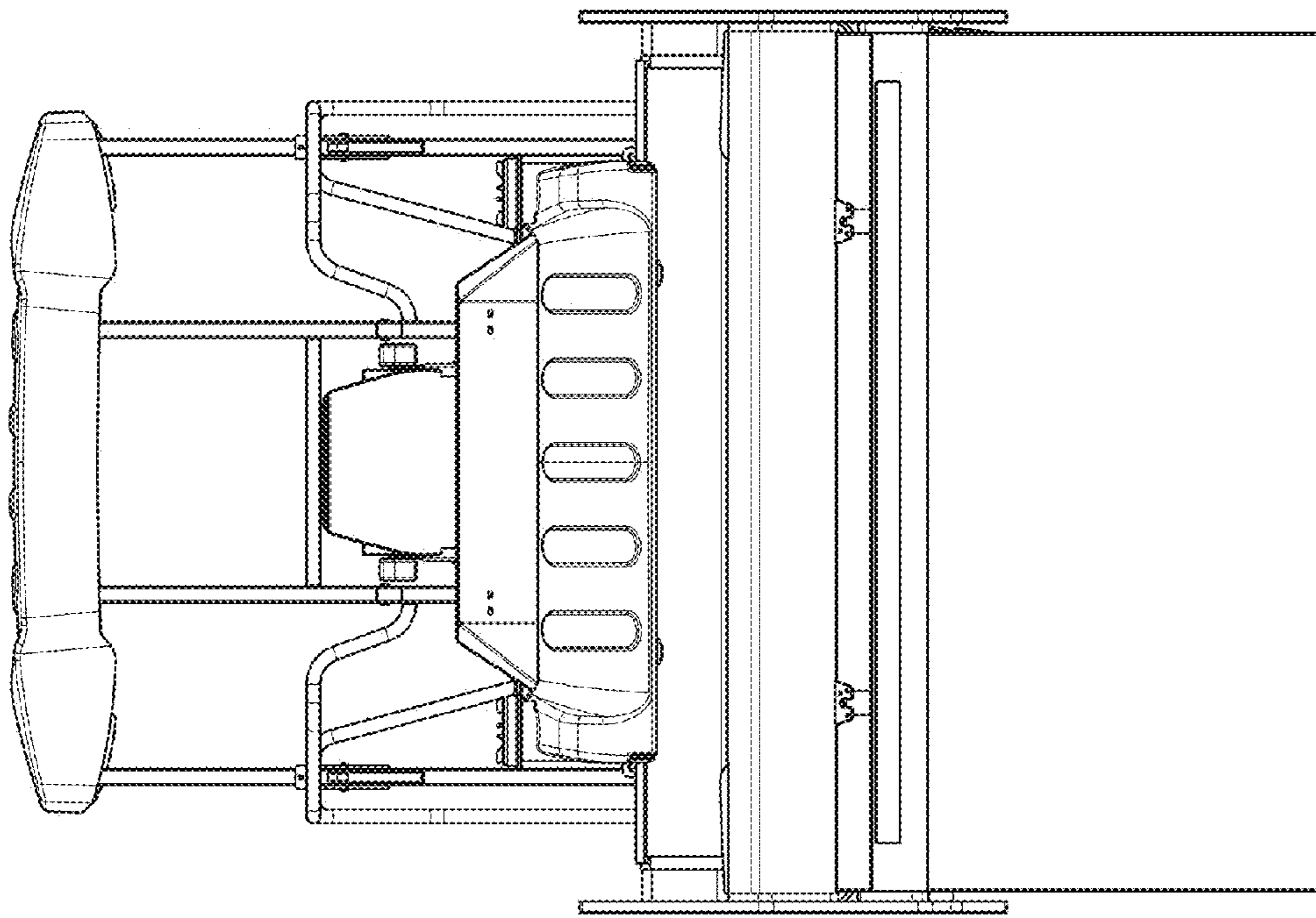


Fig. 12

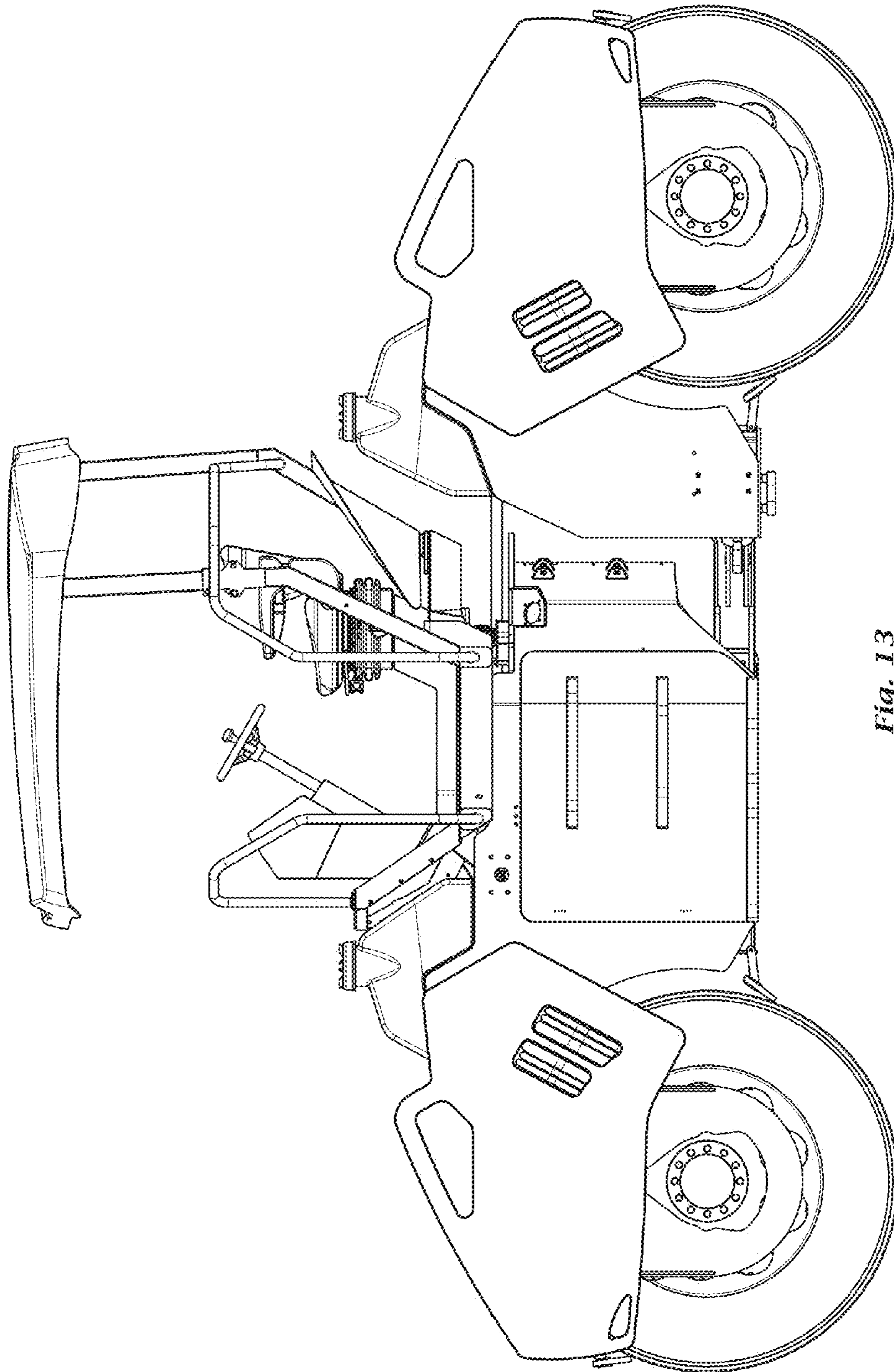


Fig. 13

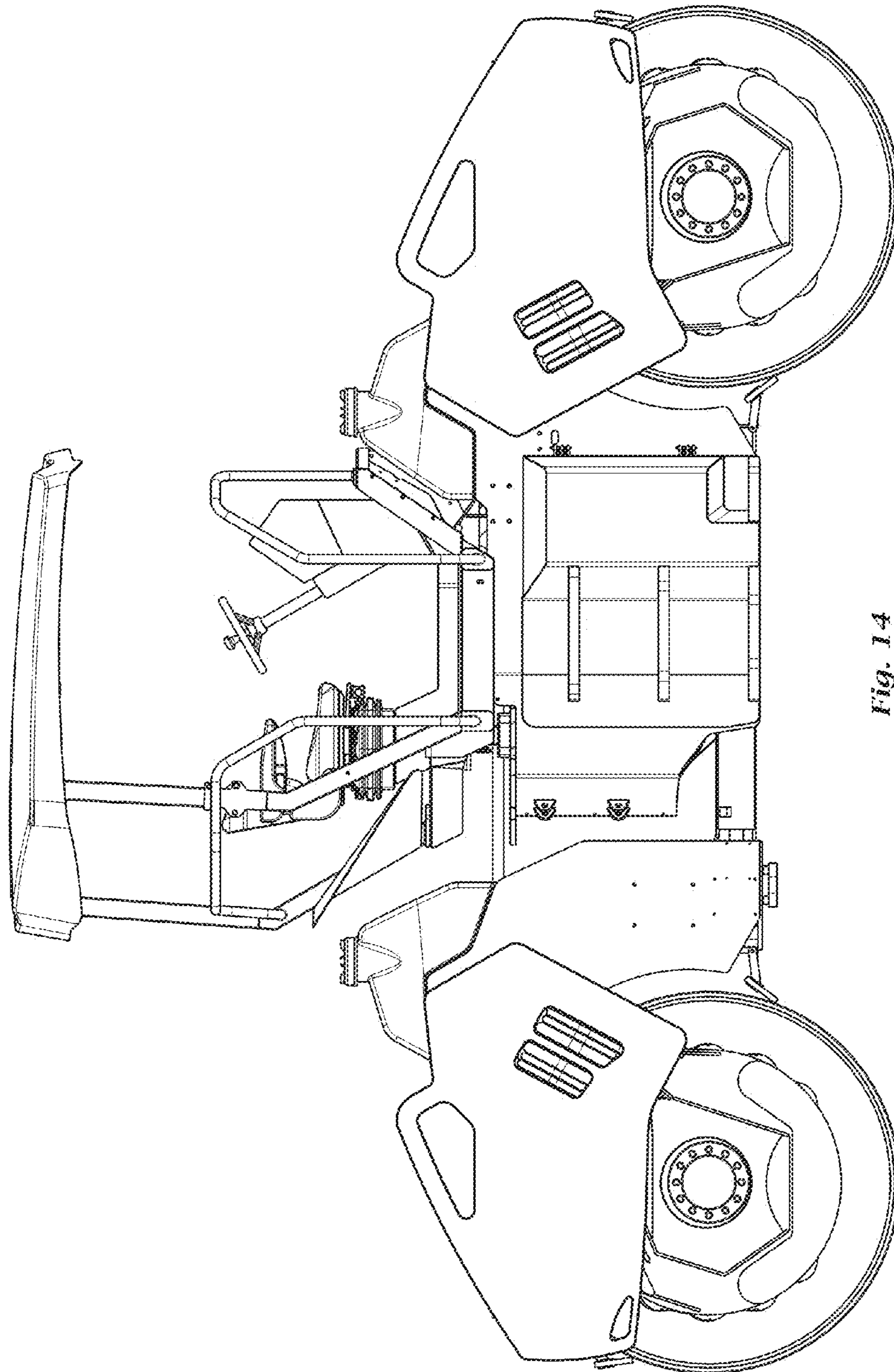


Fig. 14

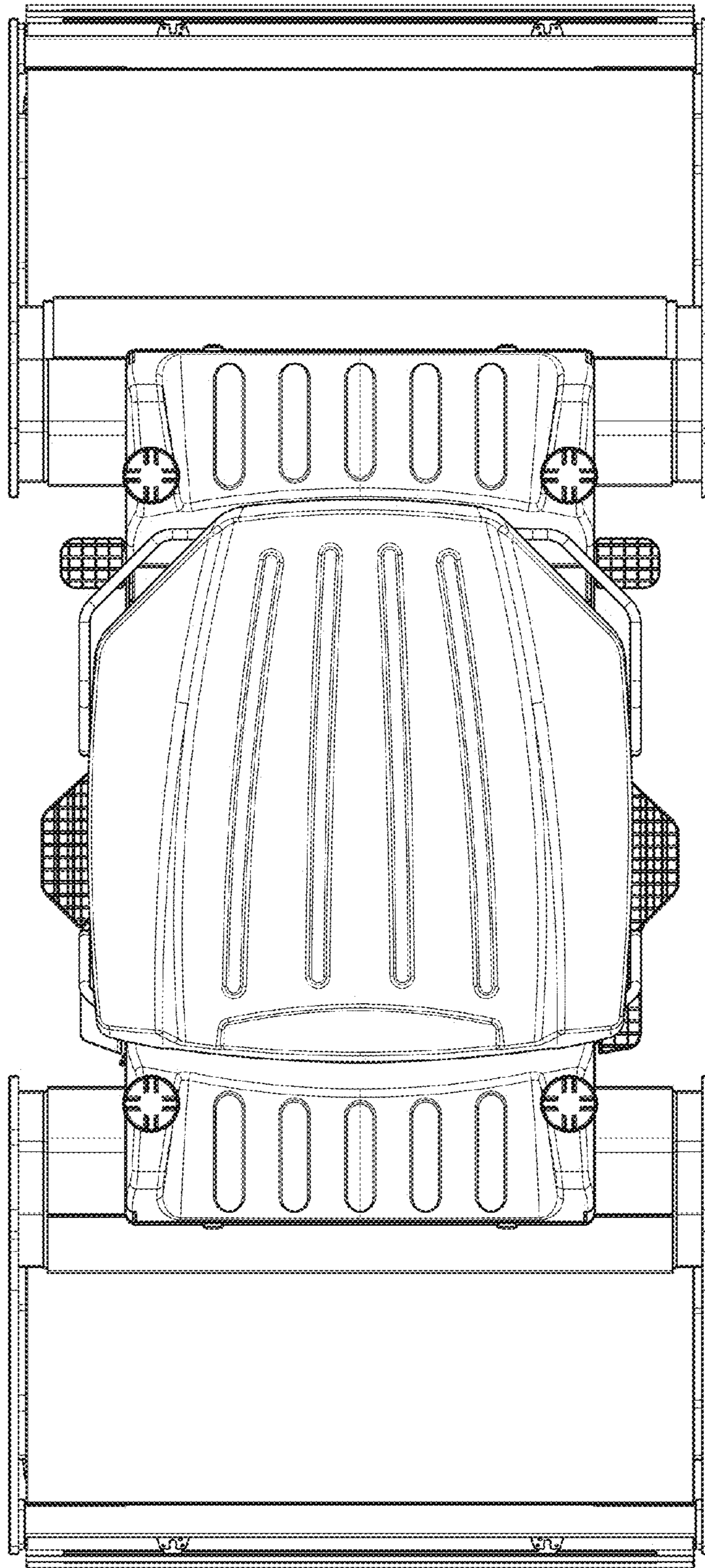


Fig. 15

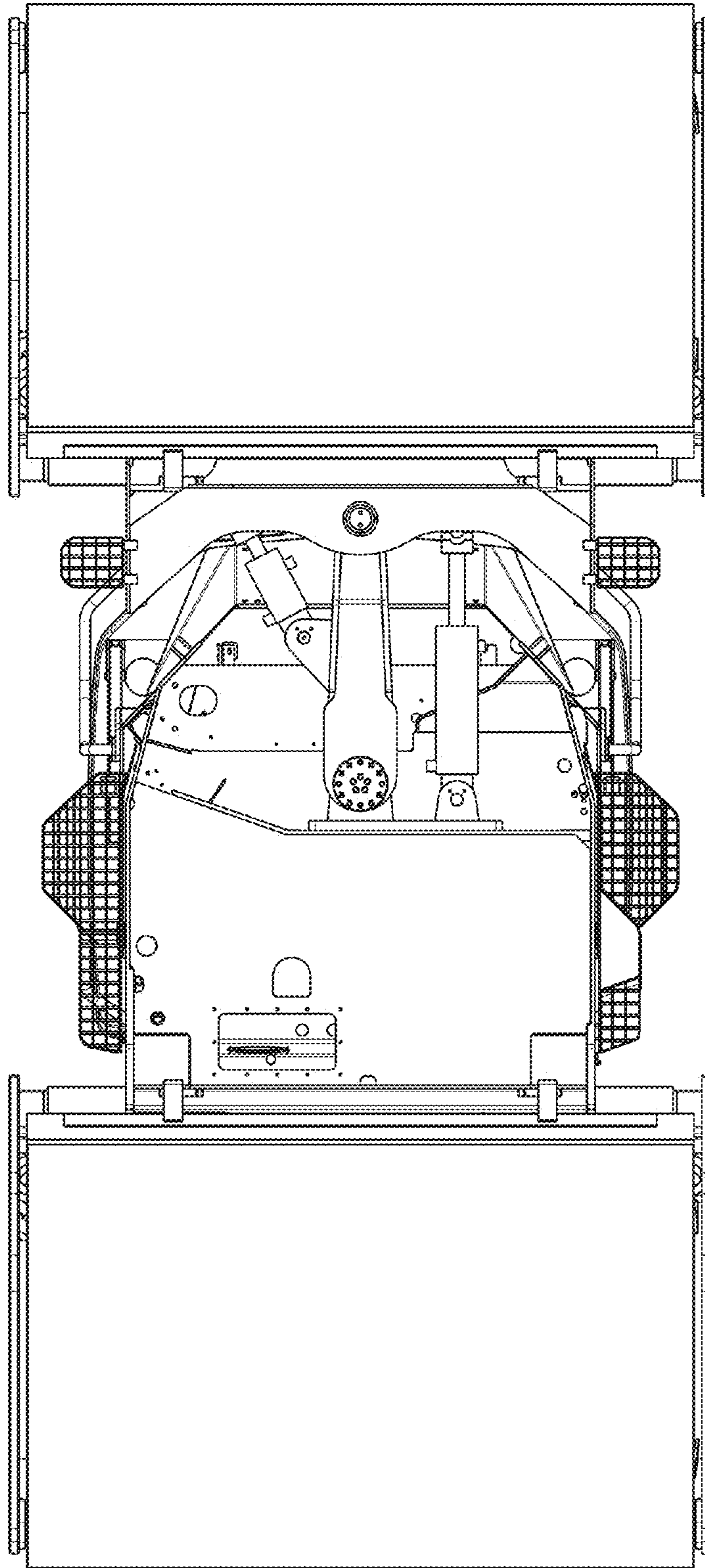


Fig. 16