



US00D694275S

(12) **United States Design Patent**
Chen

(10) **Patent No.:** **US D694,275 S**

(45) **Date of Patent:** **** Nov. 26, 2013**

(54) **AIR COMPRESSOR CYLINDER HOUSING**

(71) Applicant: **Chun Lan Chen**, Xingling (CN)

(72) Inventor: **Chun Lan Chen**, Xingling (CN)

(**) Term: **14 Years**

(21) Appl. No.: **29/440,761**

(22) Filed: **Dec. 27, 2012**

(51) **LOC (9) Cl.** **15-02**

(52) **U.S. Cl.**

USPC **D15/9**

(58) **Field of Classification Search**

USPC D15/7-9; D23/231, 232, 225; 417/60,
417/235, 265, 321, 355, 358, 363, 359,
417/410.1, 415-416, 405, 900; 60/408,
60/412; 184/26-37; 415/140-147;
123/495, 509; 141/38

See application file for complete search history.

(56) **References Cited**

U.S. PATENT DOCUMENTS

D659,168	S	*	5/2012	Chen	D15/9
D659,170	S	*	5/2012	Chen	D15/9
D678,348	S	*	3/2013	Chen	D15/9
D678,349	S	*	3/2013	Chen	D15/9
D678,914	S	*	3/2013	Chen	D15/9

D681,062	S	*	4/2013	Chen	D15/9
D685,000	S	*	6/2013	Chen	D15/9
D685,003	S	*	6/2013	Chen	D15/9

* cited by examiner

Primary Examiner — Ralf Seifert

(74) *Attorney, Agent, or Firm* — Charles E. Baxley

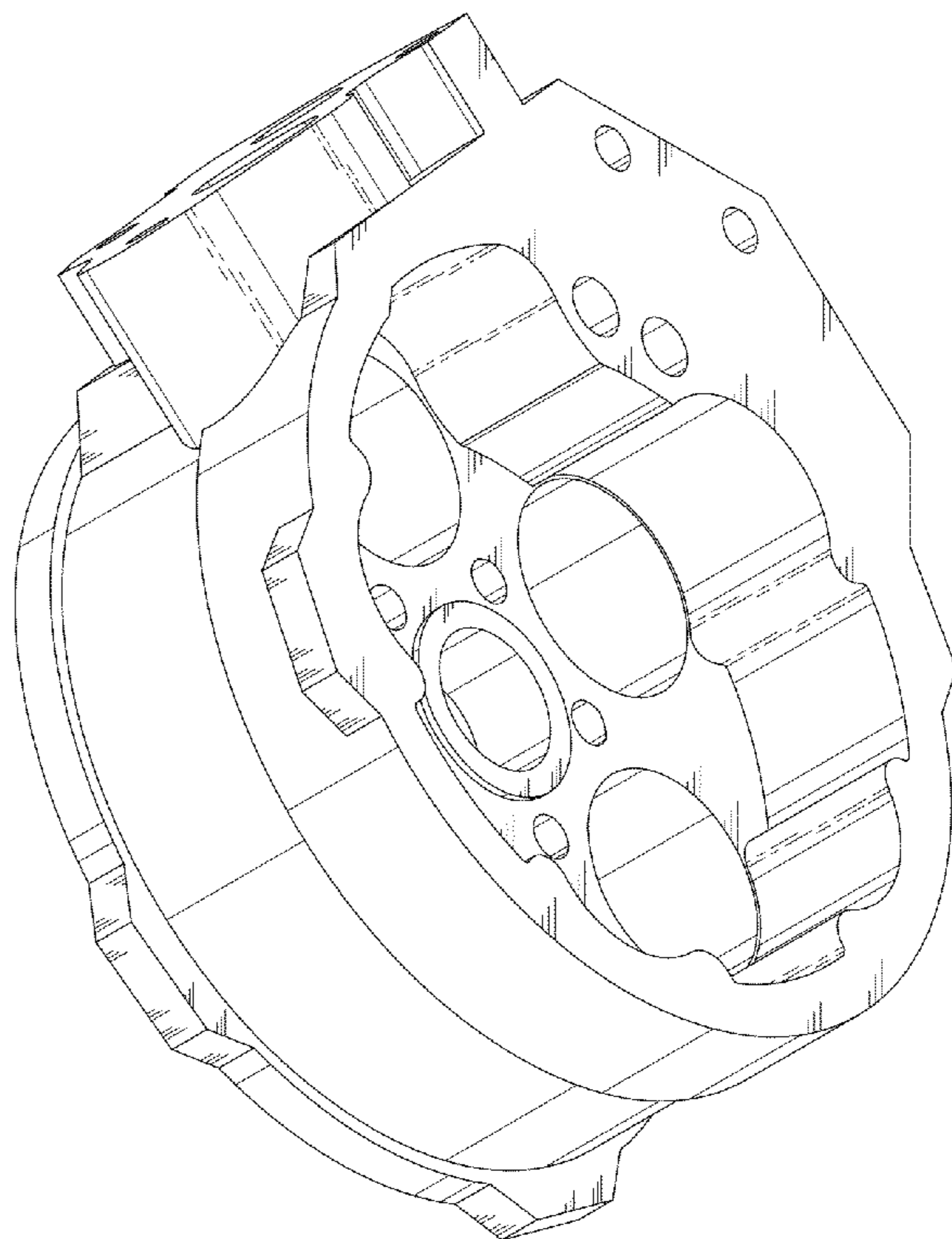
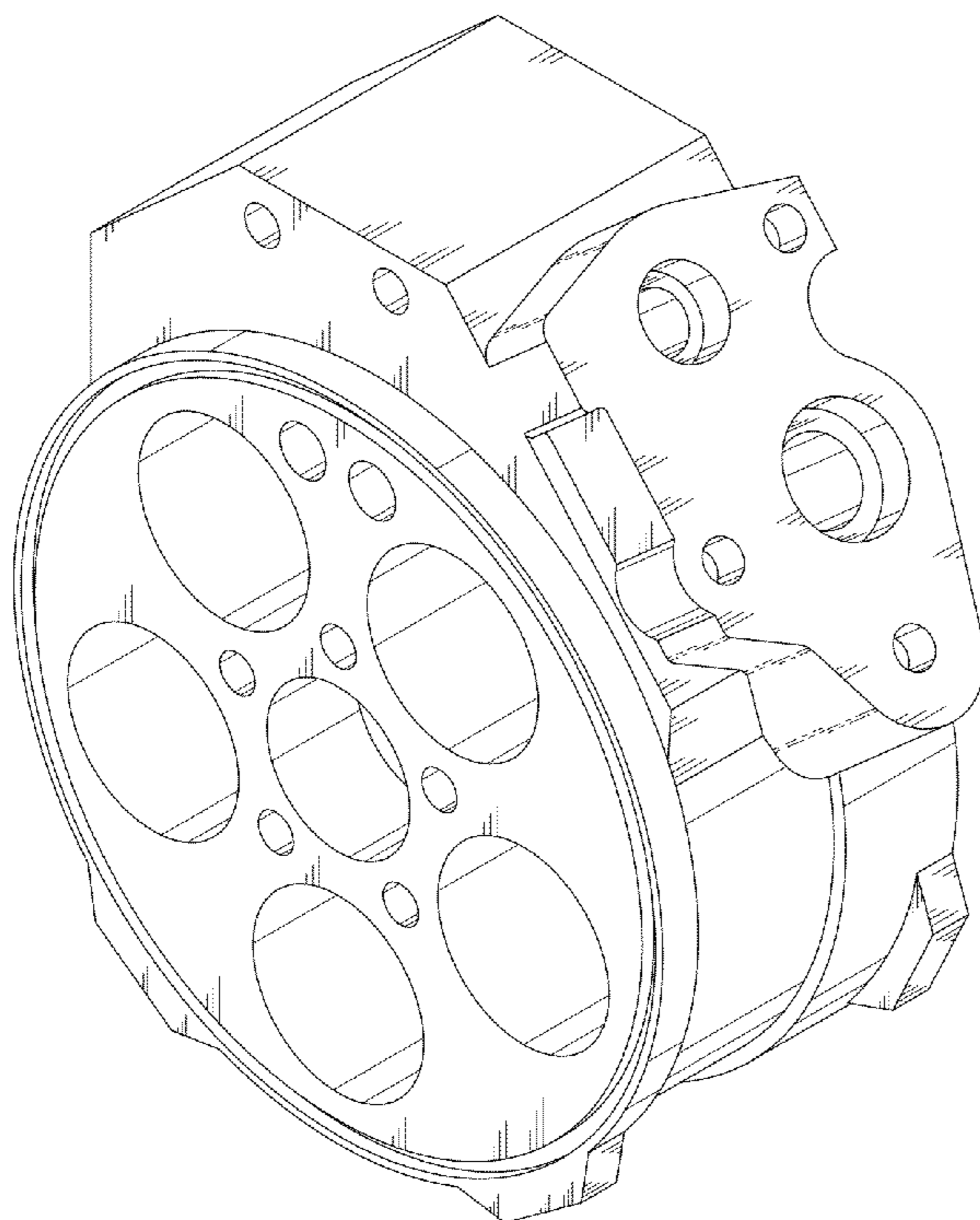
(57) **CLAIM**

The ornamental design for an air compressor cylinder housing, as shown and described.

DESCRIPTION

FIG. 1 is a front and upper perspective view of an air compressor cylinder housing showing my new design; FIG. 2 is a front elevational view thereof; FIG. 3 is a rear elevational view thereof; FIG. 4 is a top plan view thereof; FIG. 5 is a bottom plan view thereof; FIG. 6 is a left side elevational view thereof; FIG. 7 is a right side elevational view thereof; and FIG. 8 is a rear perspective view thereof; FIG. 9 is a front and bottom perspective view thereof; FIG. 10 is a front and upper perspective view thereof, the openings and the depressions depicted by means of broken lines being for illustrative purposes only and forming no part of the claimed design; and, FIG. 11 is a rear perspective view thereof, the openings and the depressions depicted by means of broken lines being for illustrative purposes only and forming no part of the claimed design.

1 Claim, 5 Drawing Sheets



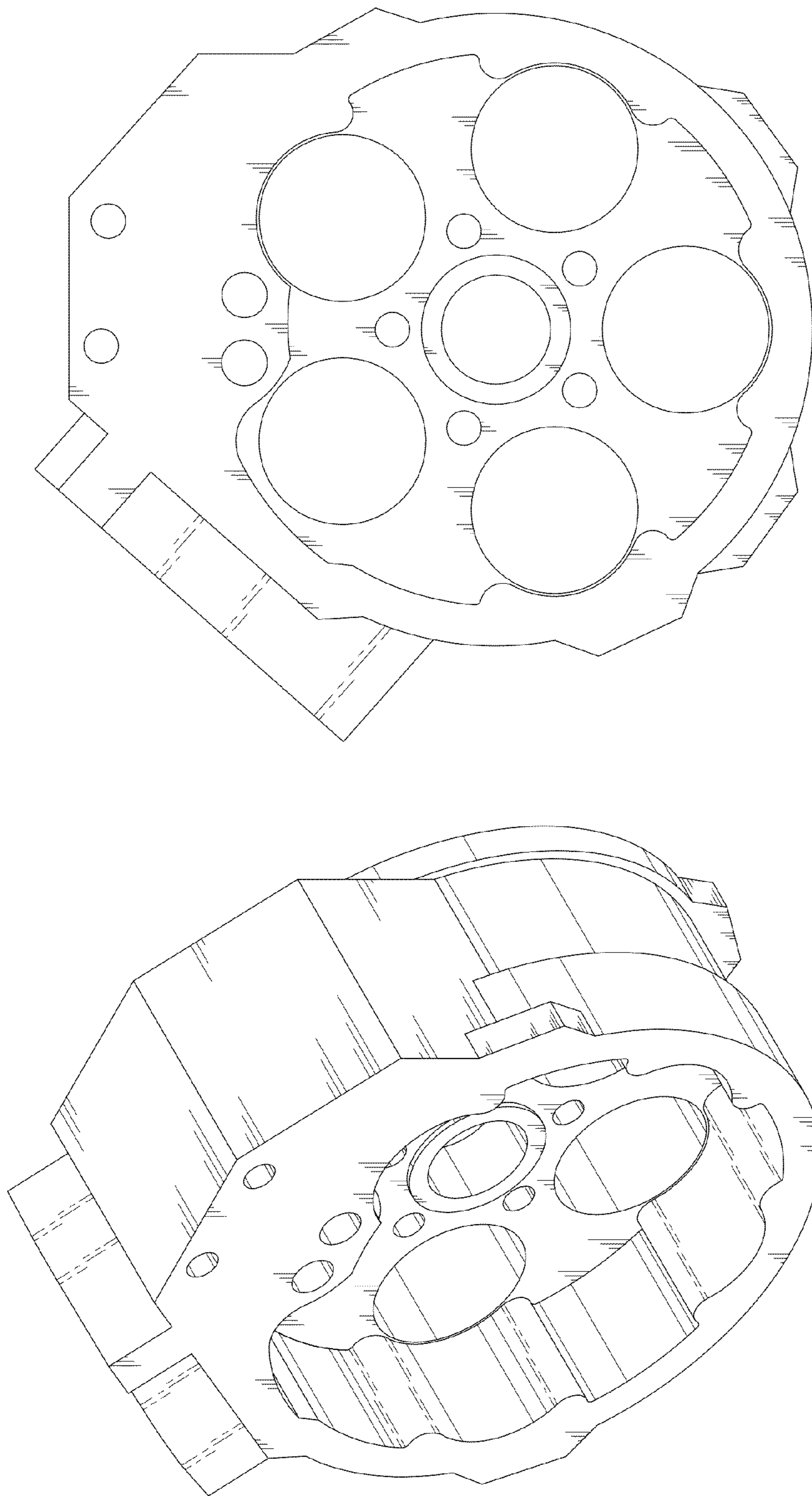


FIG. 2

FIG. 1

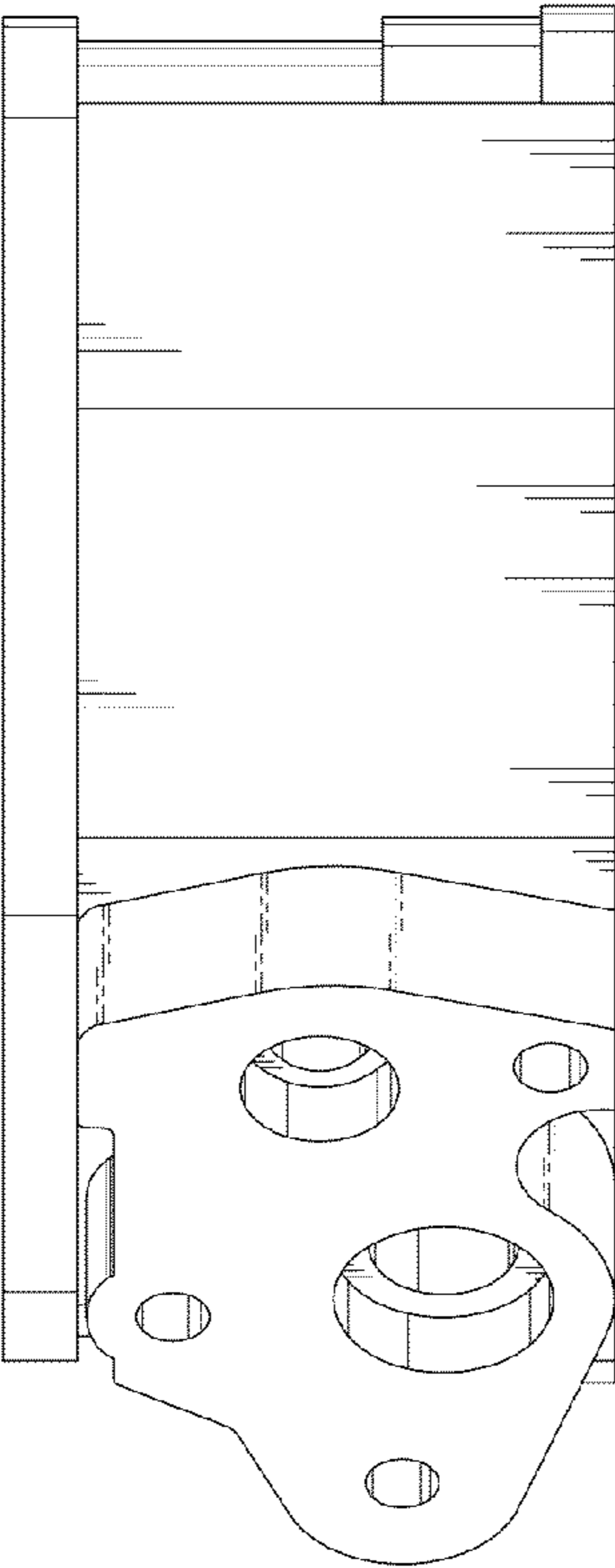


FIG. 4

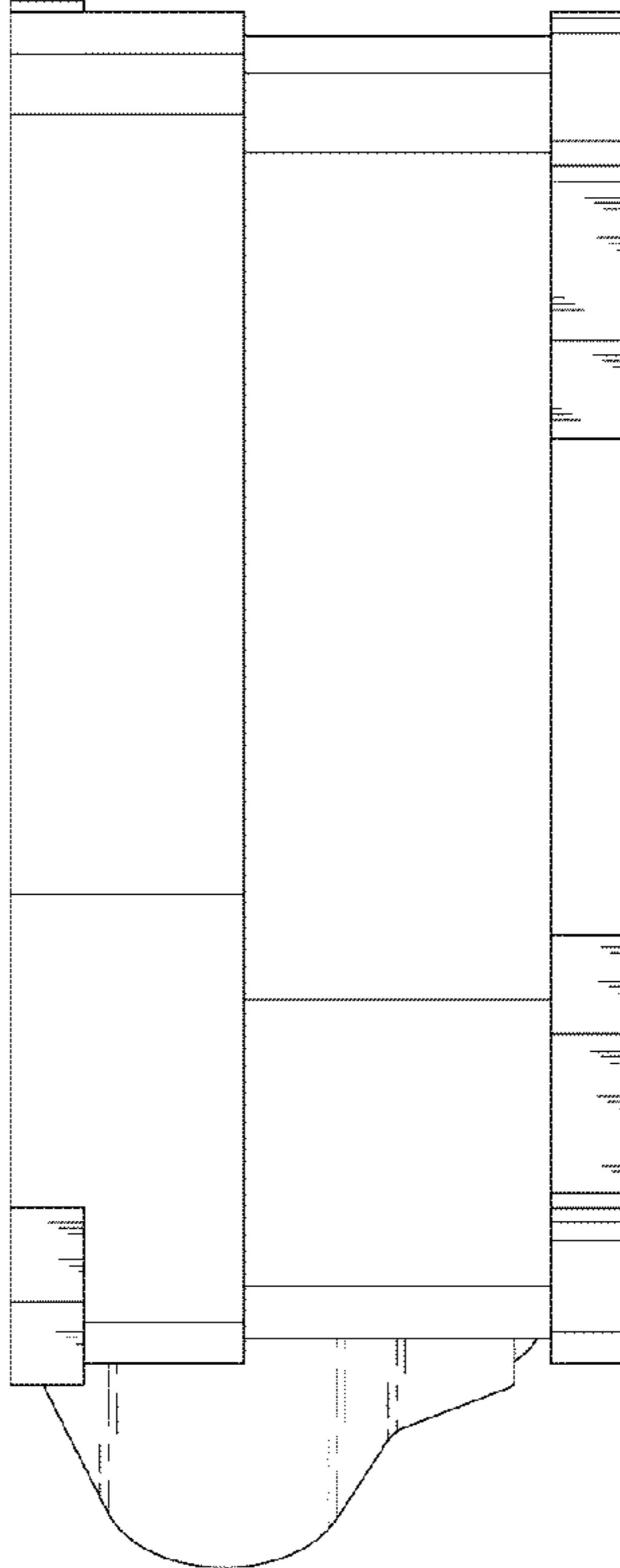


FIG. 5

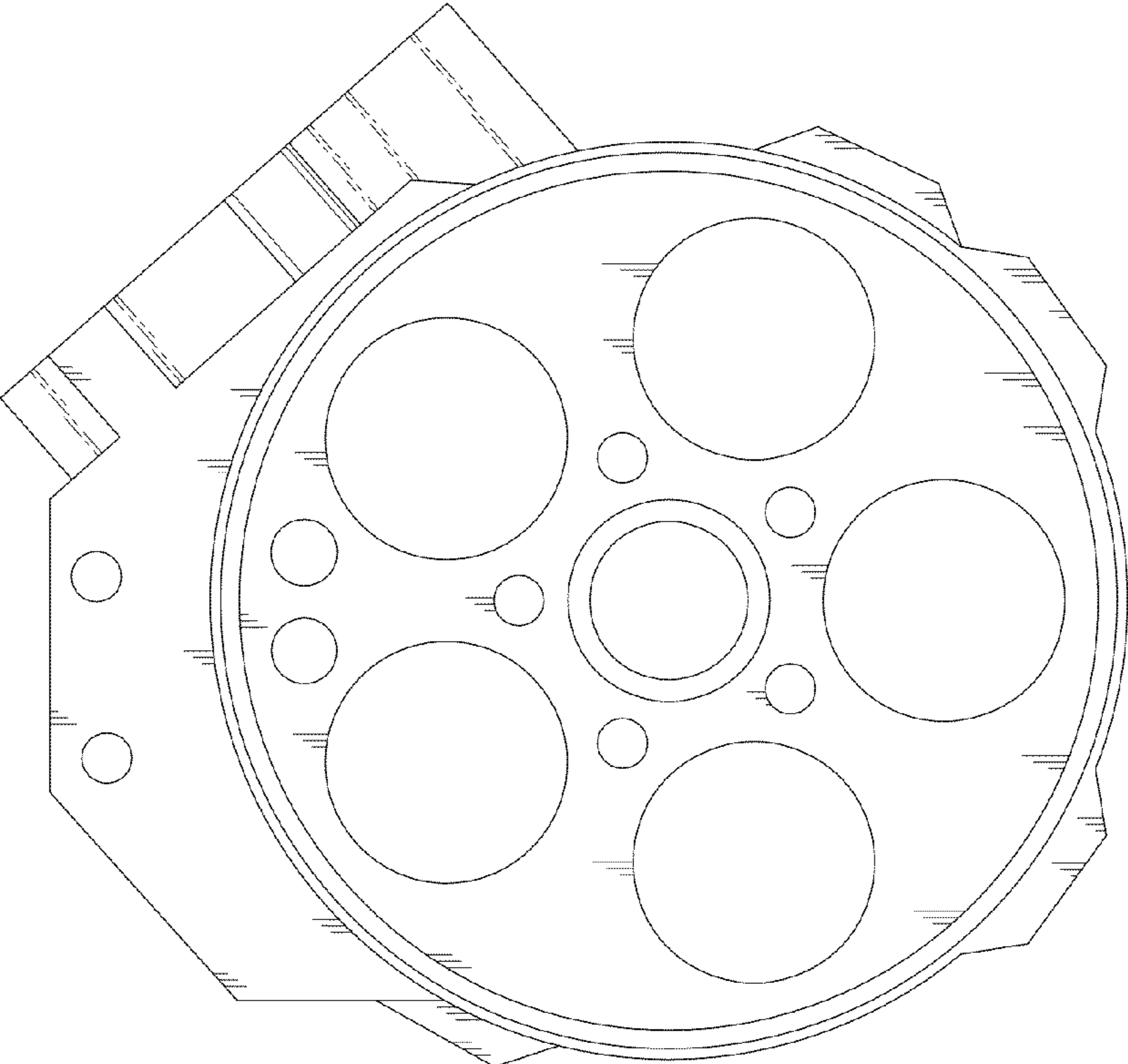


FIG. 3

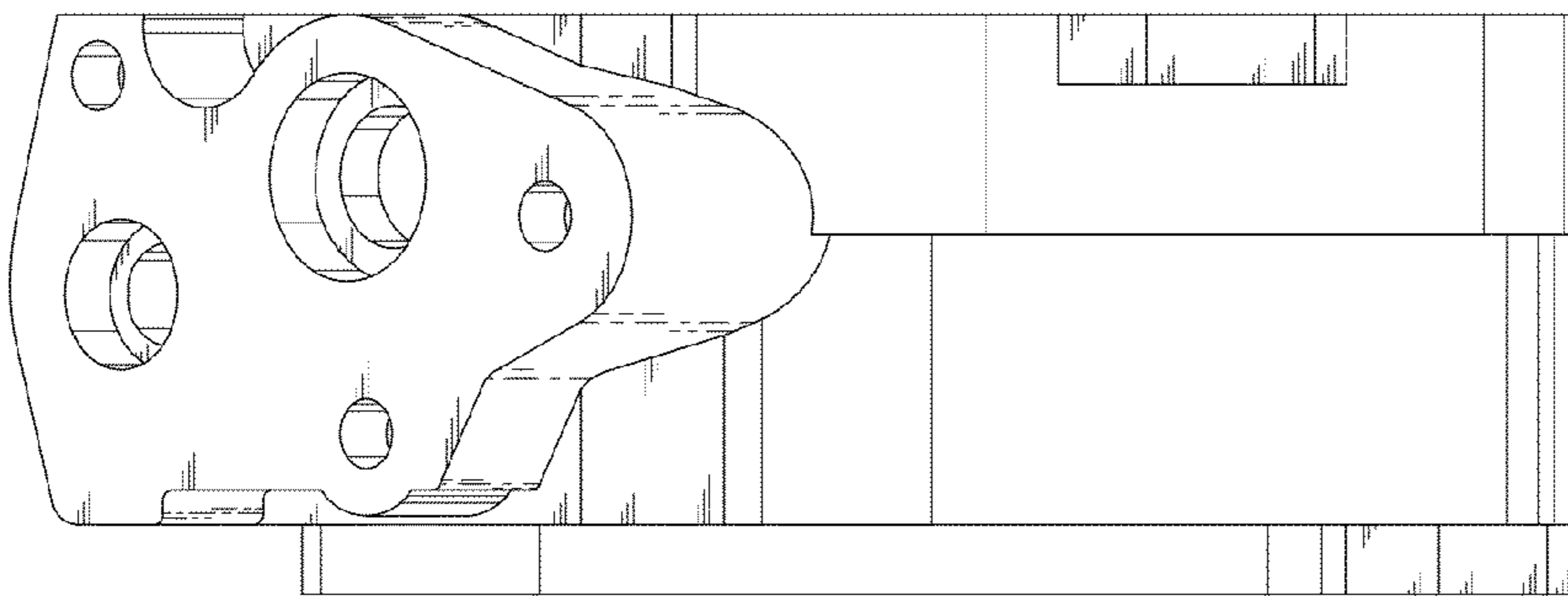


FIG. 6

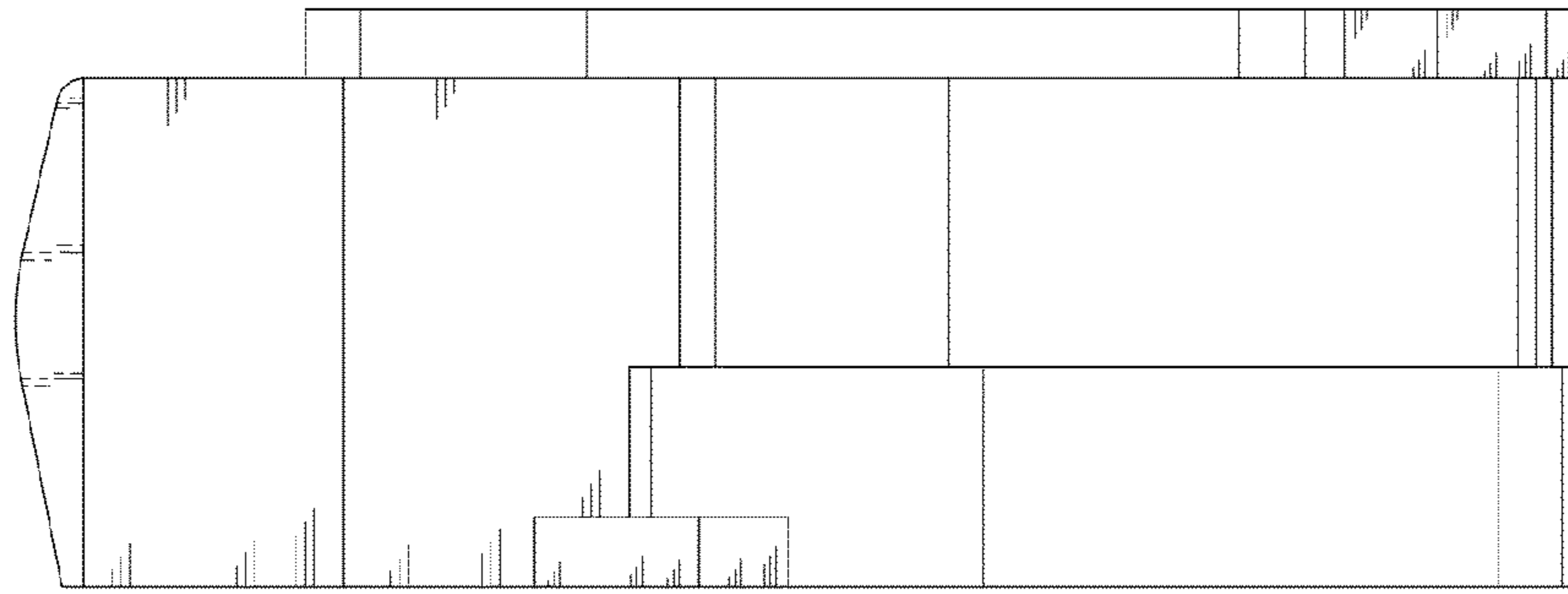


FIG. 7

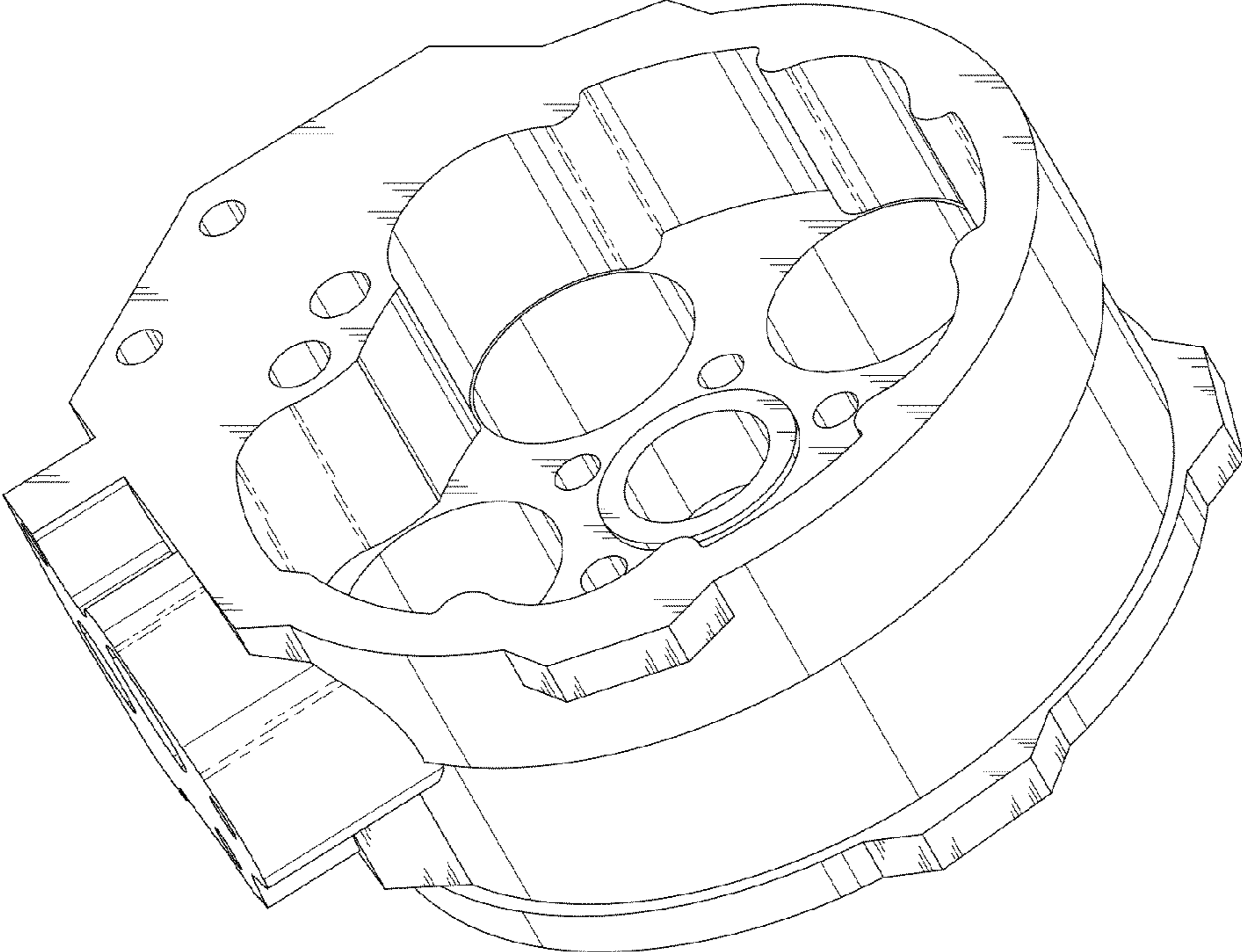


FIG. 9

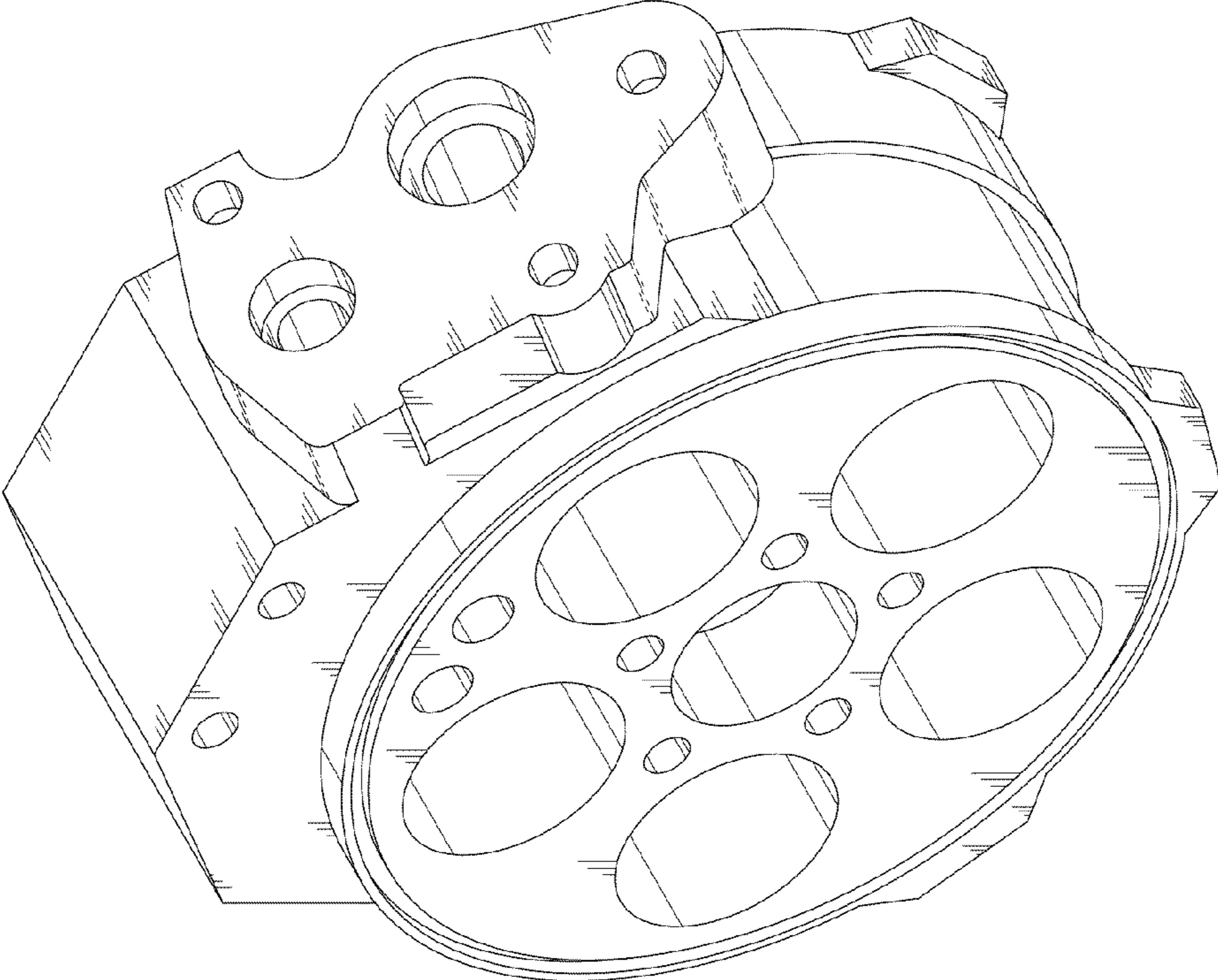


FIG. 8

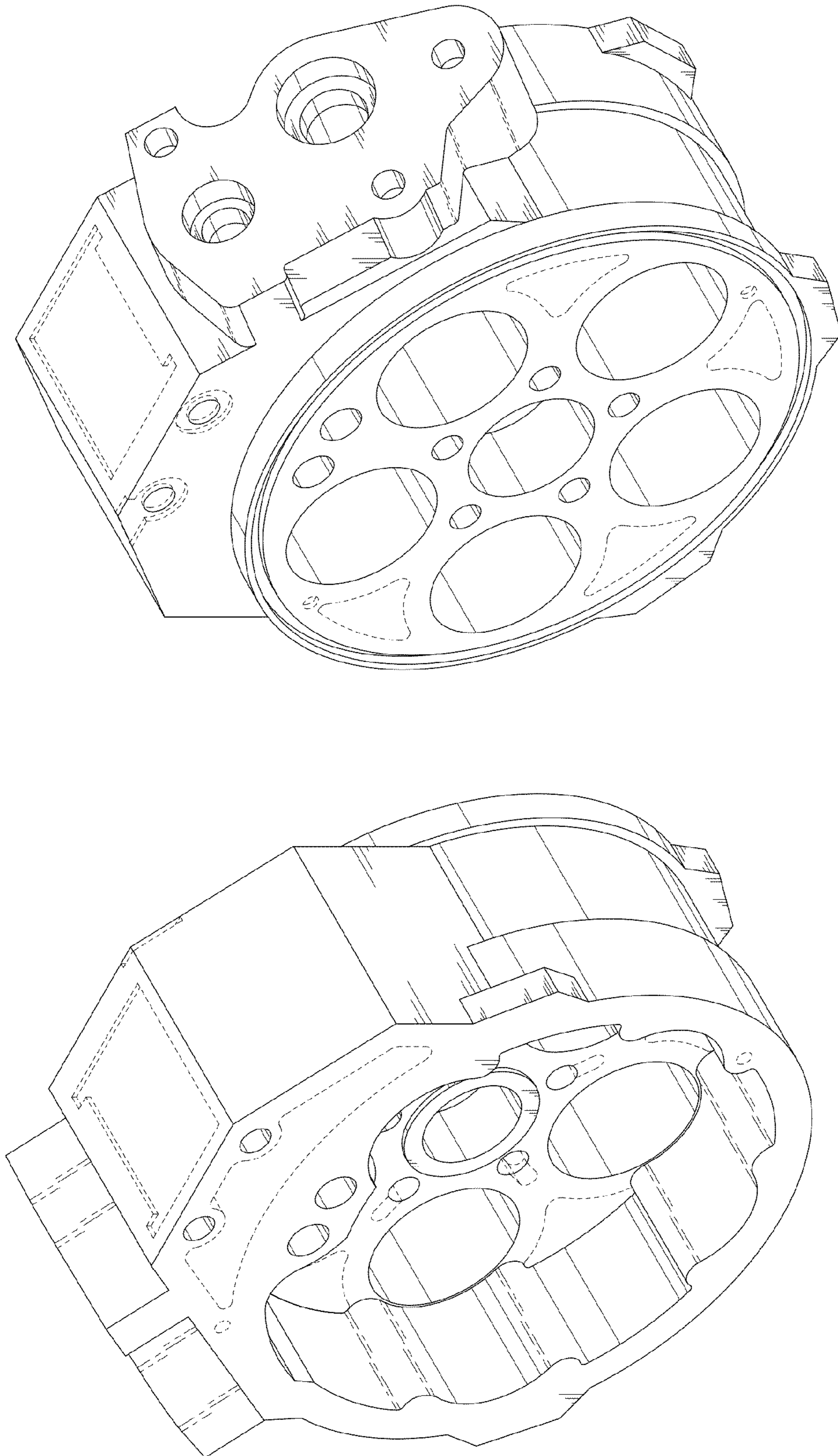


FIG. 11

FIG. 10