



US00D694274S

(12) **United States Design Patent**  
**Chen**

(10) **Patent No.:** **US D694,274 S**

(45) **Date of Patent:** **\*\* Nov. 26, 2013**

(54) **AIR COMPRESSOR CYLINDER HOUSING**

(71) Applicant: **Chun Lan Chen**, Xingling (CN)

(72) Inventor: **Chun Lan Chen**, Xingling (CN)

(\*\*) Term: **14 Years**

(21) Appl. No.: **29/440,757**

(22) Filed: **Dec. 27, 2012**

(51) **LOC (9) Cl.** ..... **15-02**

(52) **U.S. Cl.**  
USPC ..... **D15/9**

(58) **Field of Classification Search**  
USPC ..... D15/7-9; D23/231, 232, 225; 417/60,  
417/235, 265, 321, 355, 358, 363, 359,  
417/410.1, 415-416, 405, 900; 60/408,  
60/412; 184/26-37; 415/140-147;  
123/495, 509; 141/38

See application file for complete search history.

(56) **References Cited**

**U.S. PATENT DOCUMENTS**

D659,171 S *	5/2012	Chen	.....	D15/9
D678,348 S *	3/2013	Chen	.....	D15/9
D678,349 S *	3/2013	Chen	.....	D15/9
D681,062 S *	4/2013	Chen	.....	D15/9
D685,003 S *	6/2013	Chen	.....	D15/9

\* cited by examiner

*Primary Examiner* — Ralf Seifert

(74) *Attorney, Agent, or Firm* — Charles E. Baxley

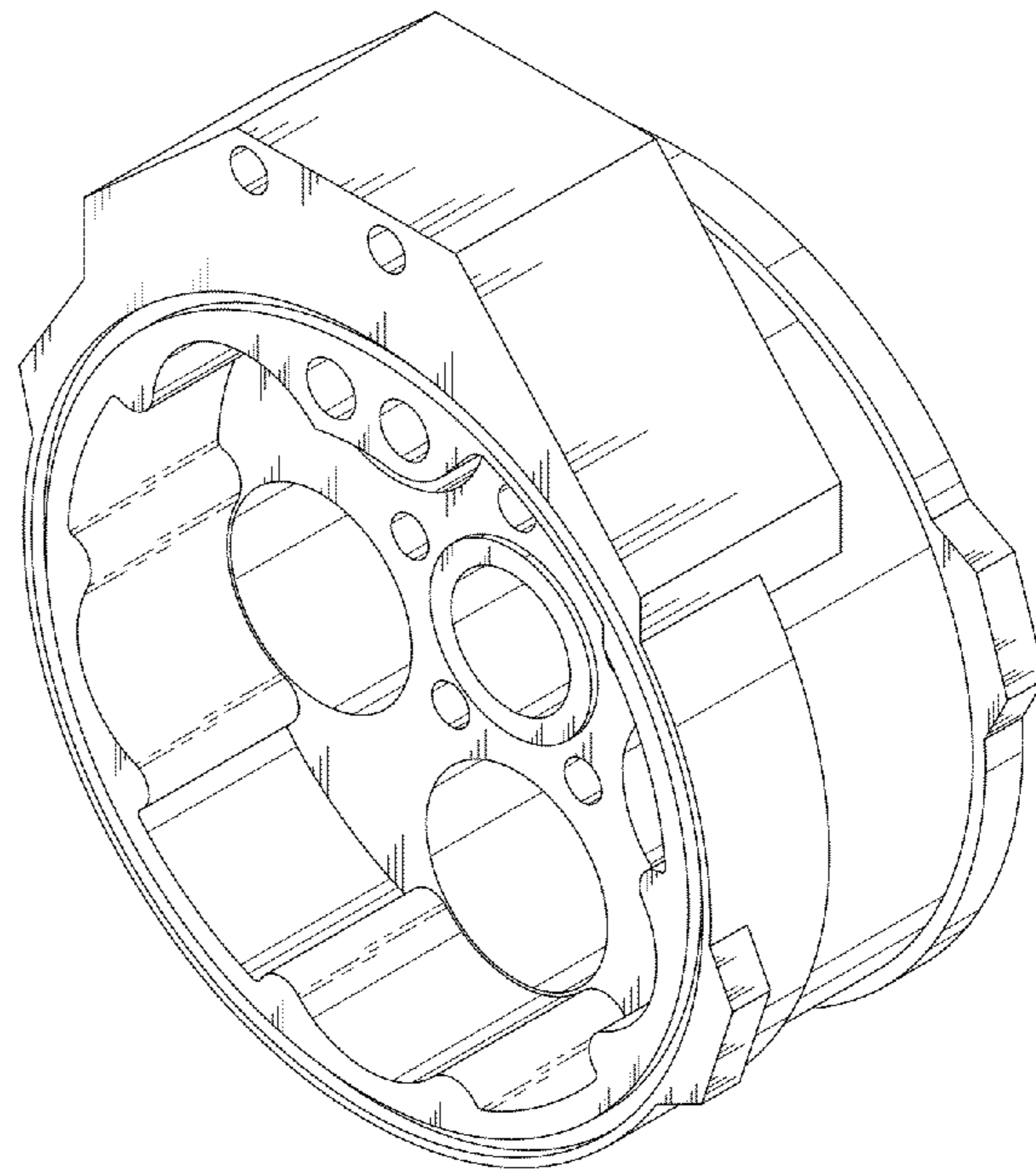
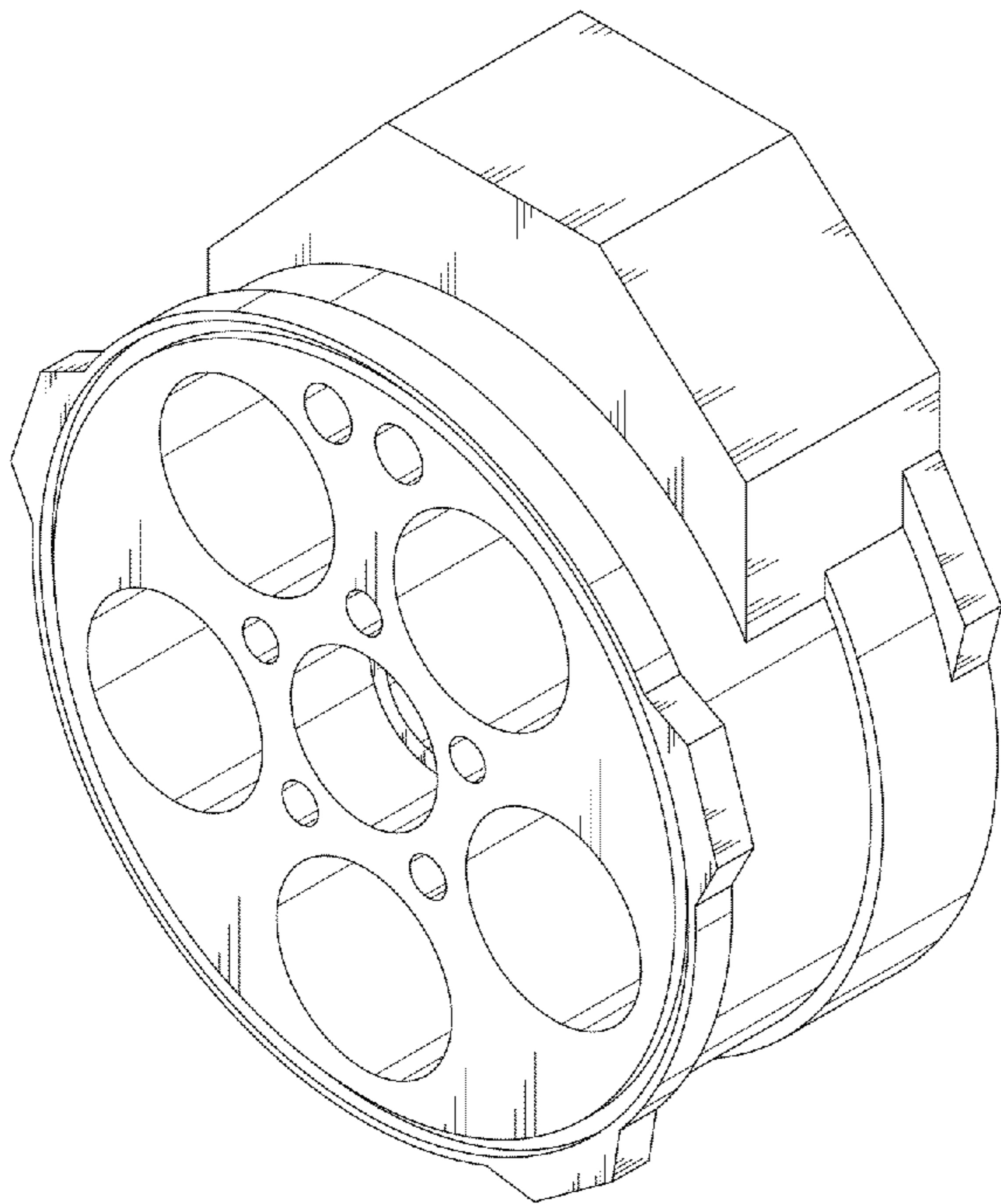
(57) **CLAIM**

The ornamental design for an air compressor cylinder housing, as shown and described.

**DESCRIPTION**

FIG. 1 is a front and upper perspective view of an air compressor cylinder housing showing my new design; FIG. 2 is a front elevational view thereof; FIG. 3 is a rear elevational view thereof; FIG. 4 is a top plan view thereof; FIG. 5 is a bottom plan view thereof; FIG. 6 is a left side elevational view thereof; FIG. 7 is a right side elevational view thereof; and FIG. 8 is a rear and upper perspective view thereof; FIG. 9 is a rear and bottom perspective view thereof; FIG. 10 is a front and upper perspective view thereof, the openings and the depressions depicted by means of broken lines being for illustrative purposes only and forming no part of the claimed design; and, FIG. 11 is a rear and upper perspective view thereof, the openings and the depressions depicted by means of broken lines being for illustrative purposes only and forming no part of the claimed design.

**1 Claim, 5 Drawing Sheets**



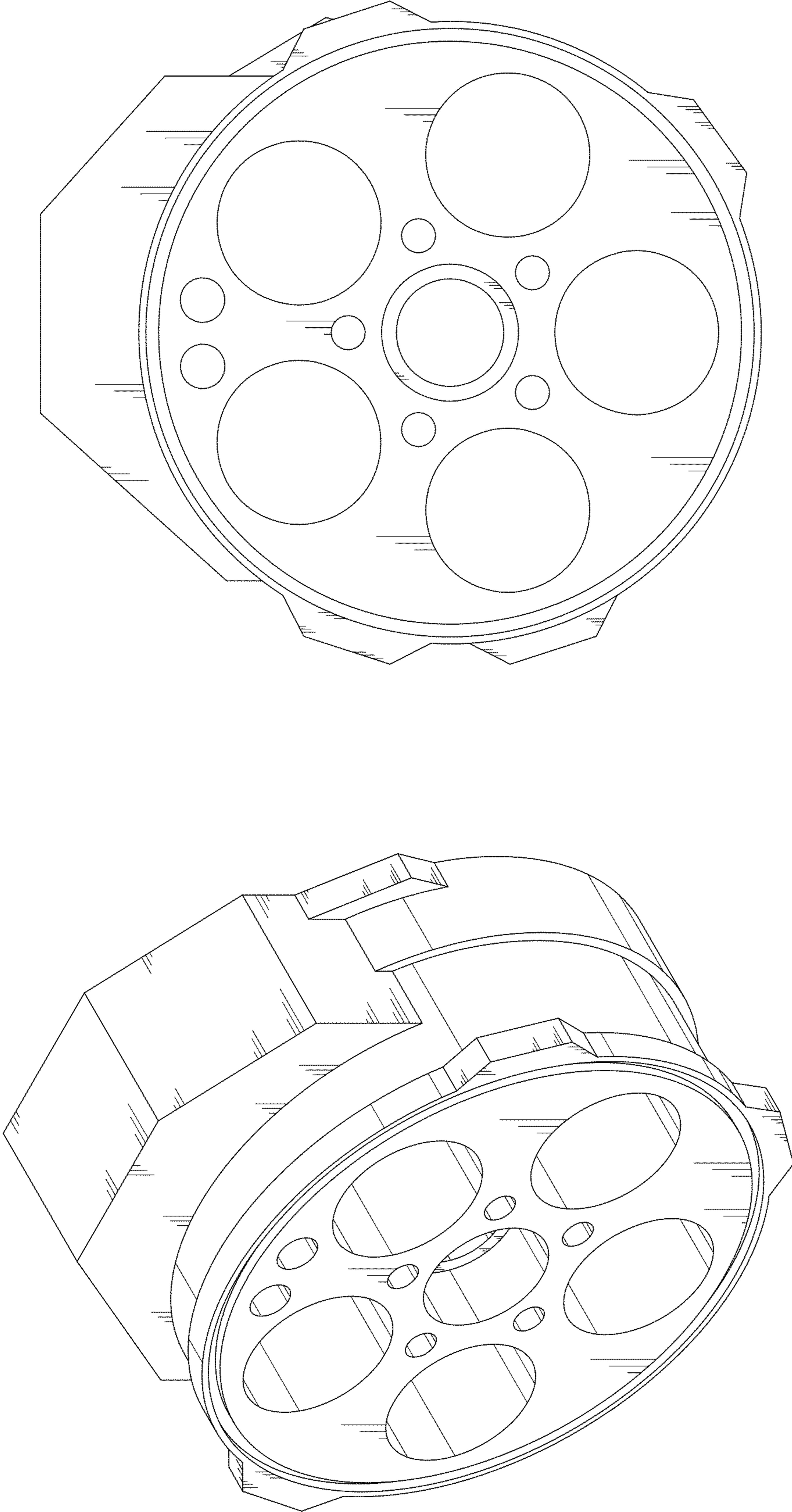


FIG. 2

FIG. 1

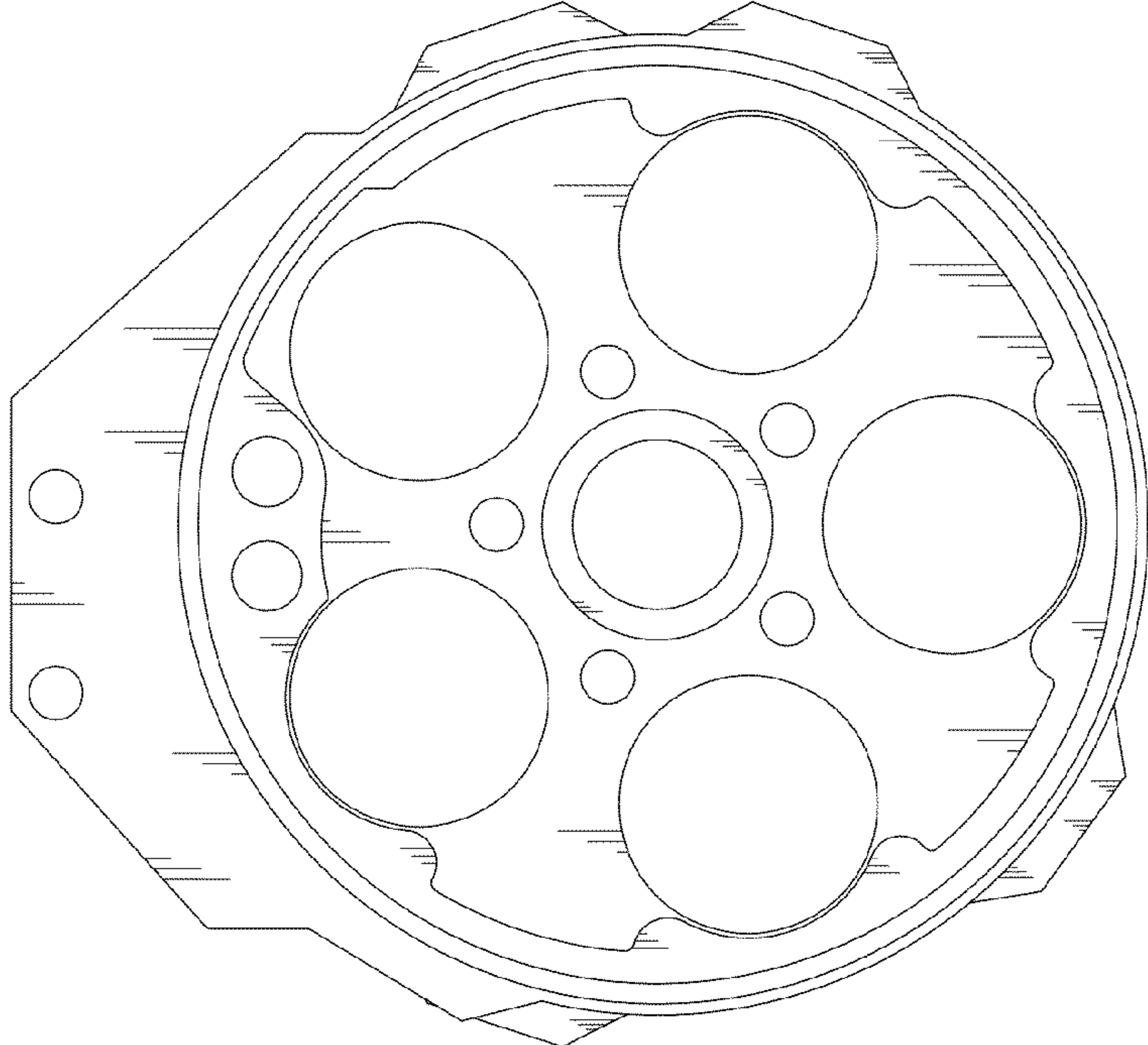


FIG. 3

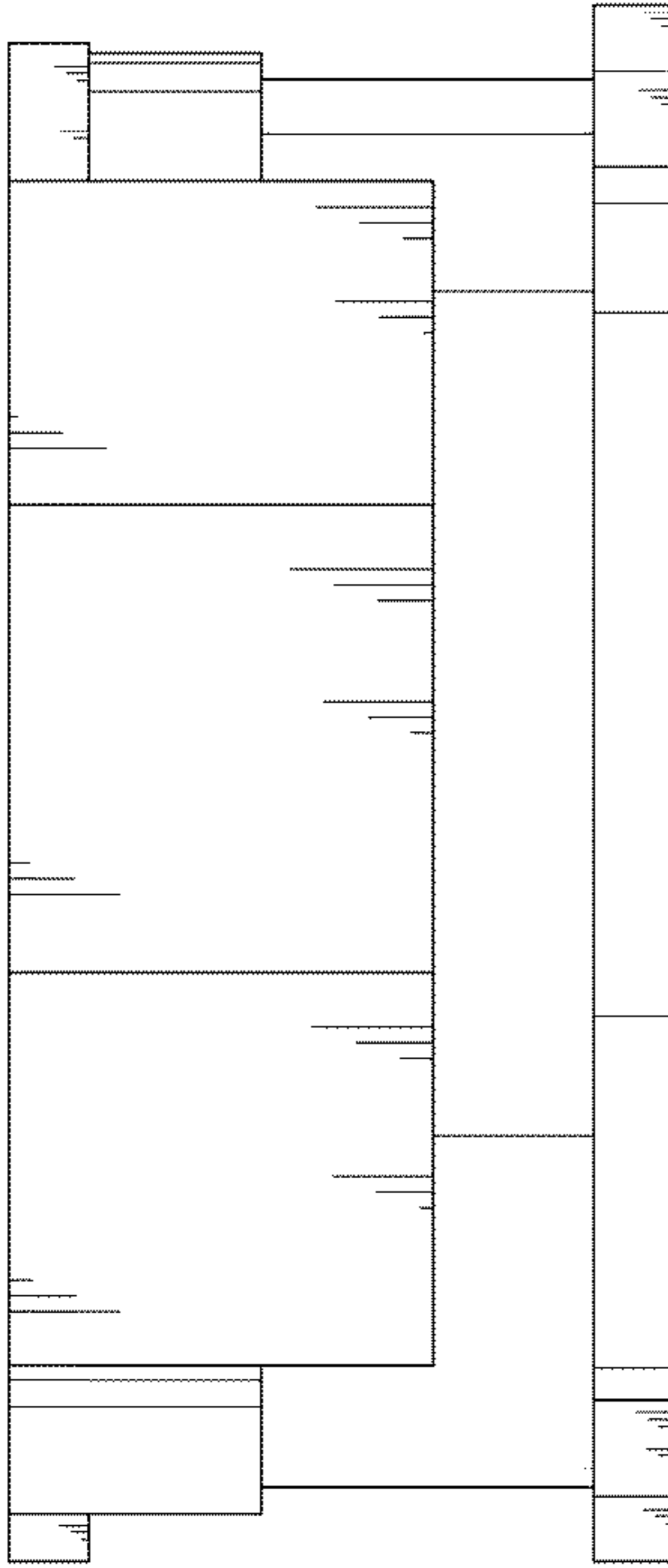


FIG. 4

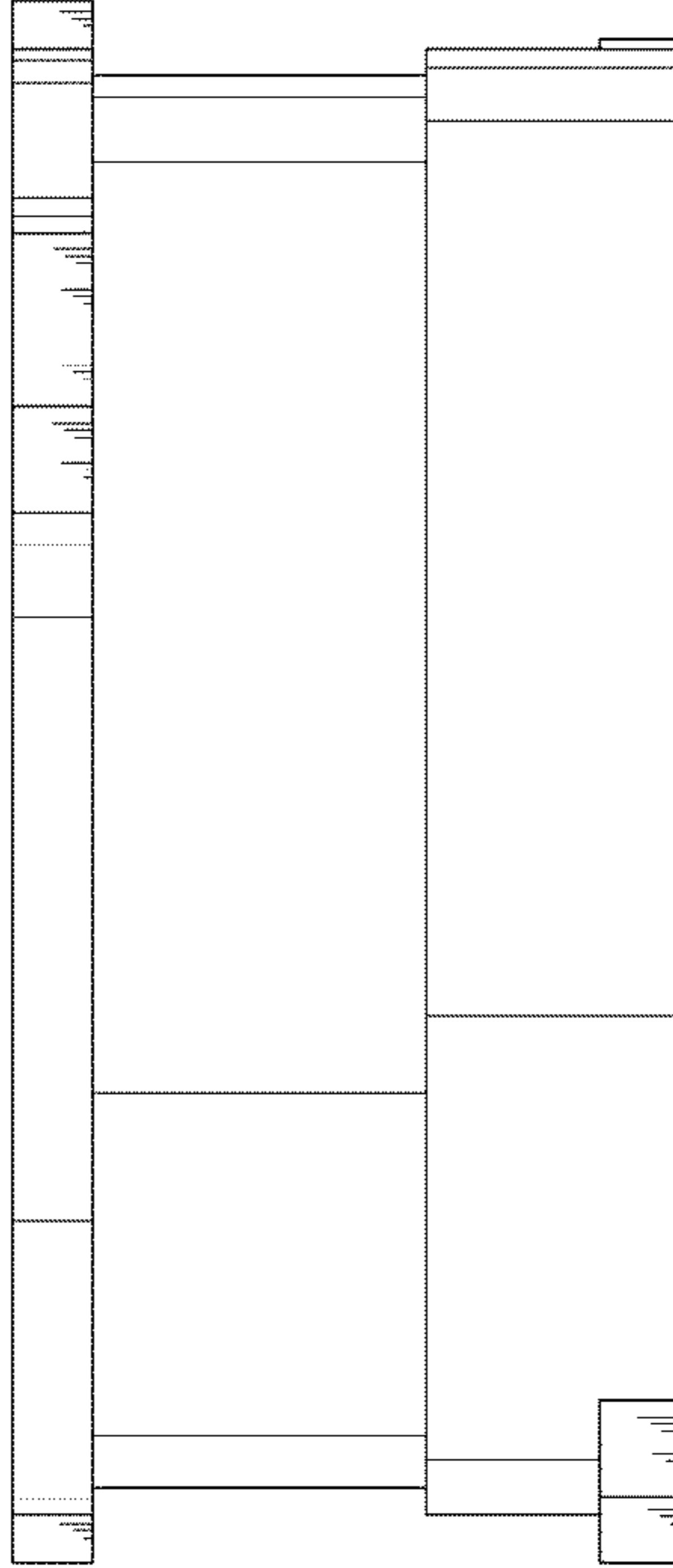


FIG. 5

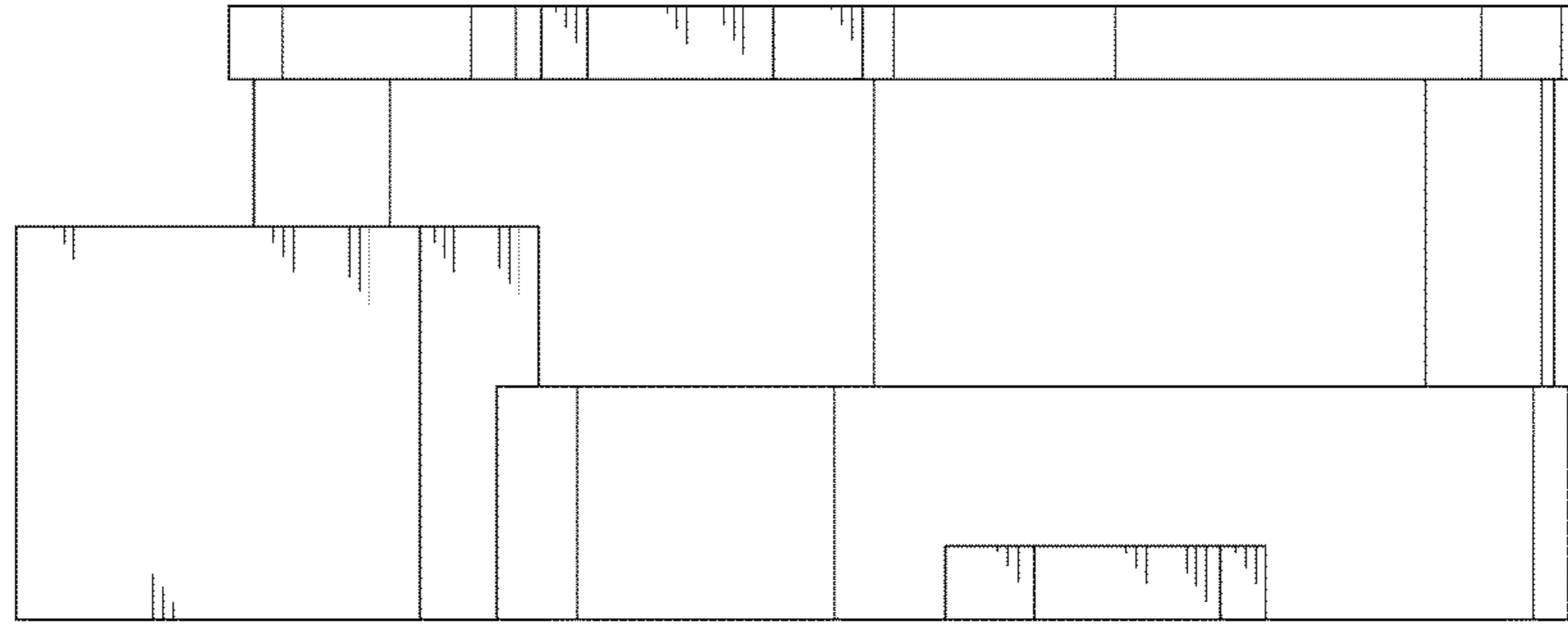


FIG. 7

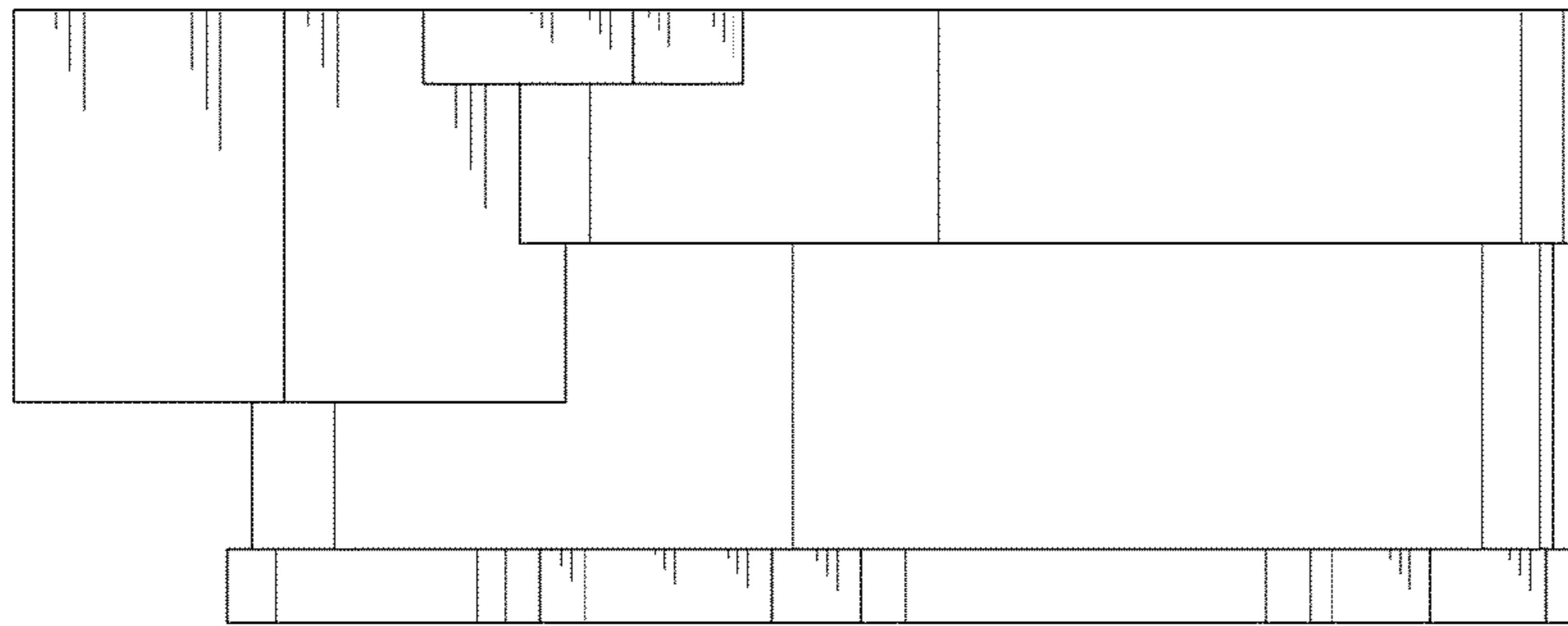


FIG. 6

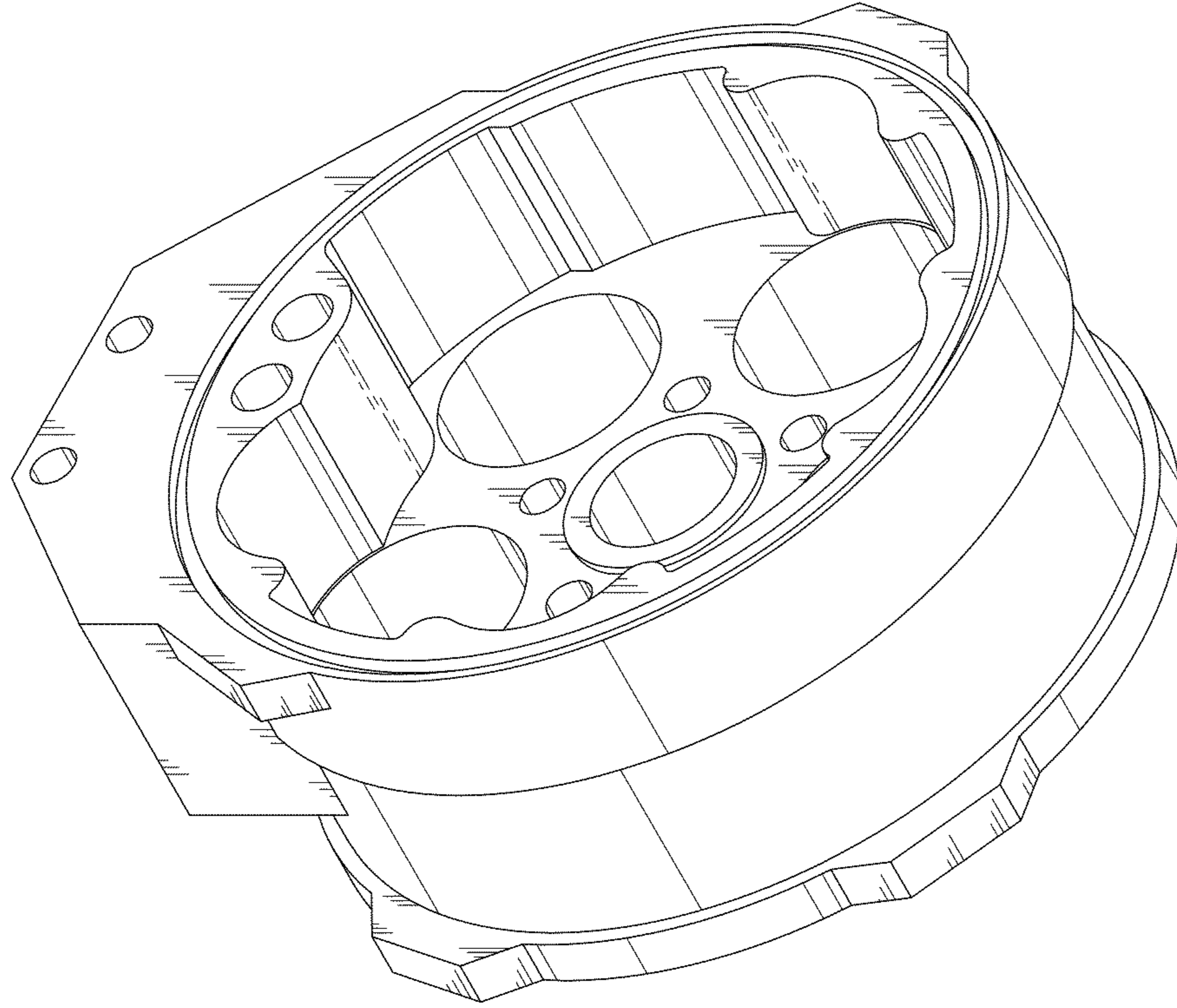


FIG. 9

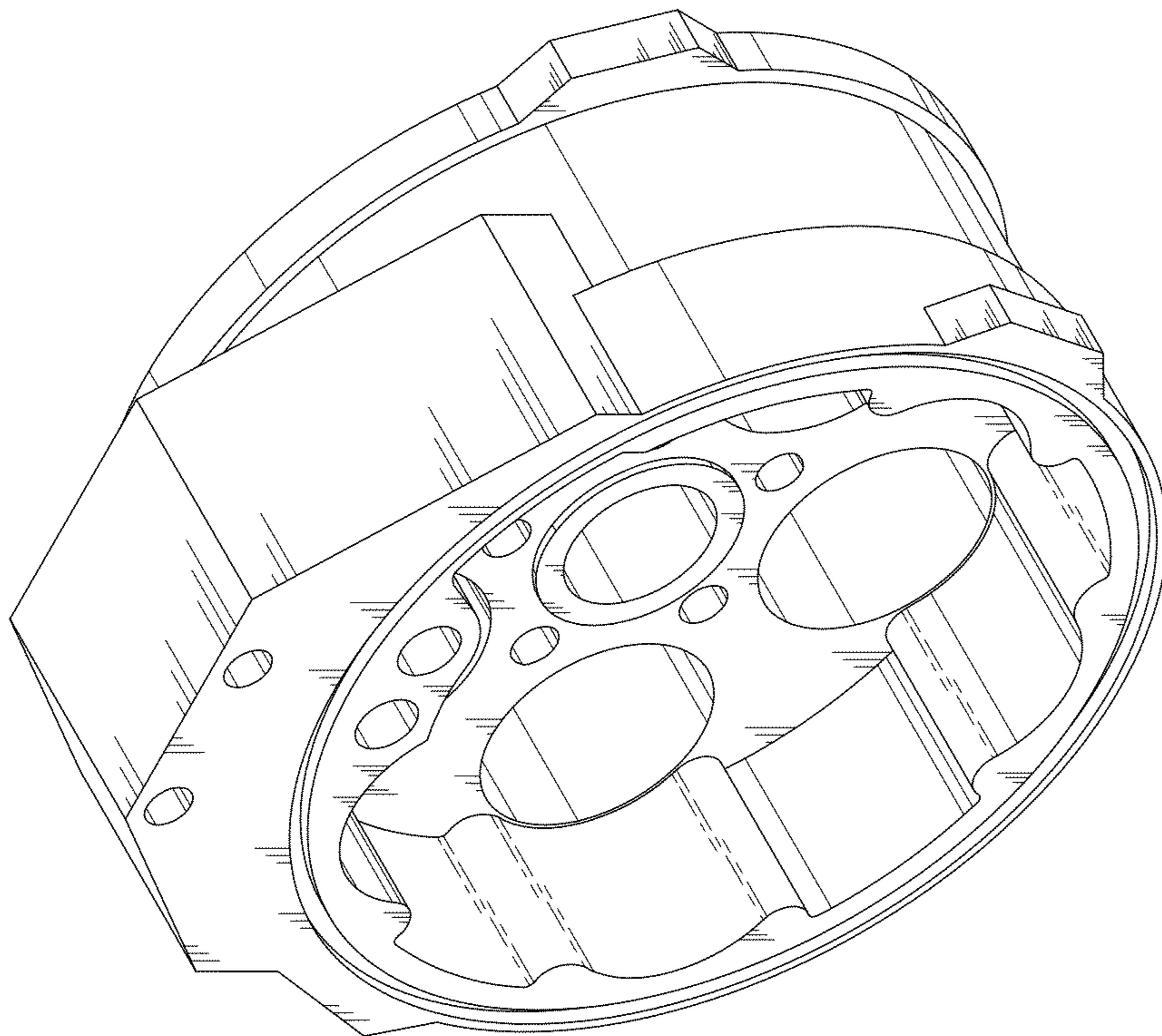


FIG. 8

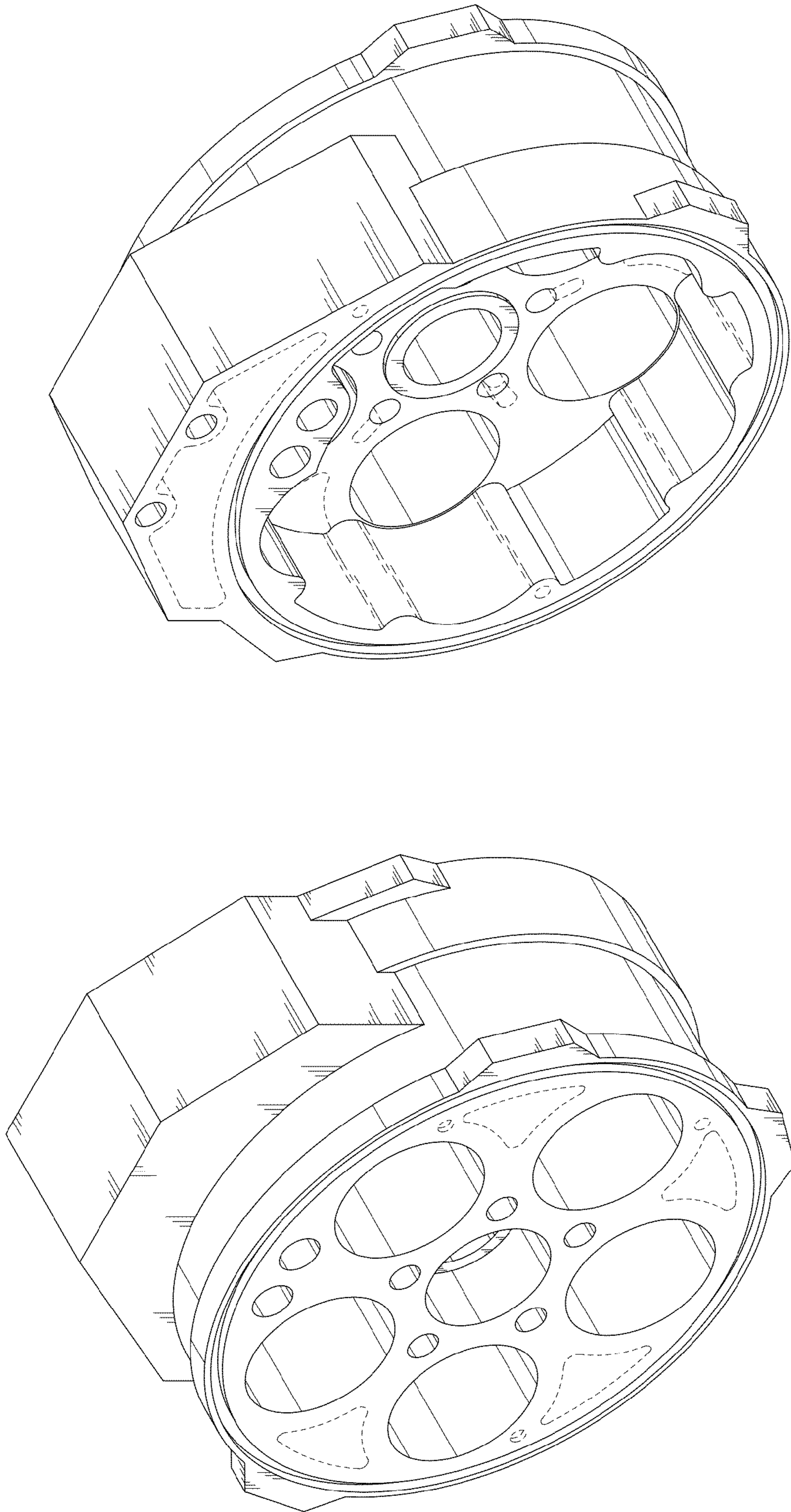


FIG. 11

FIG. 10