



US00D694272S

(12) **United States Design Patent**
Chu

(10) **Patent No.:** **US D694,272 S**
(45) **Date of Patent:** **** Nov. 26, 2013**

(54) **CAP FOR AIR COMPRESSOR**

(71) Applicant: **Henry C. Chu**, Orange, CA (US)

(72) Inventor: **Henry C. Chu**, Orange, CA (US)

(**) Term: **14 Years**

(21) Appl. No.: **29/436,796**

(22) Filed: **Nov. 9, 2012**

(51) **LOC (9) Cl.** **15-02**

(52) **U.S. Cl.**
USPC **D15/9**

(58) **Field of Classification Search**

USPC D15/7-9; D23/231, 232, 225; 417/60,
417/235, 265, 321, 355, 358, 363, 359,
417/410.1, 415-416, 405, 900; 60/408,
60/412; 184/26-37; 415/140-147;
123/495, 509

See application file for complete search history.

(56) **References Cited**

U.S. PATENT DOCUMENTS

D507,280 S *	7/2005	Chu et al.	D15/9
D556,783 S *	12/2007	Chu	D15/9
D557,287 S *	12/2007	Chu	D15/9
D603,873 S *	11/2009	Chu	D15/9
D603,874 S *	11/2009	Chu	D15/9
D657,384 S *	4/2012	Chu	D15/9
D657,391 S *	4/2012	Chu	D15/9
D678,345 S *	3/2013	Chu	D15/9

* cited by examiner

Primary Examiner — Ralf Seifert

(74) *Attorney, Agent, or Firm* — Charles E. Baxley

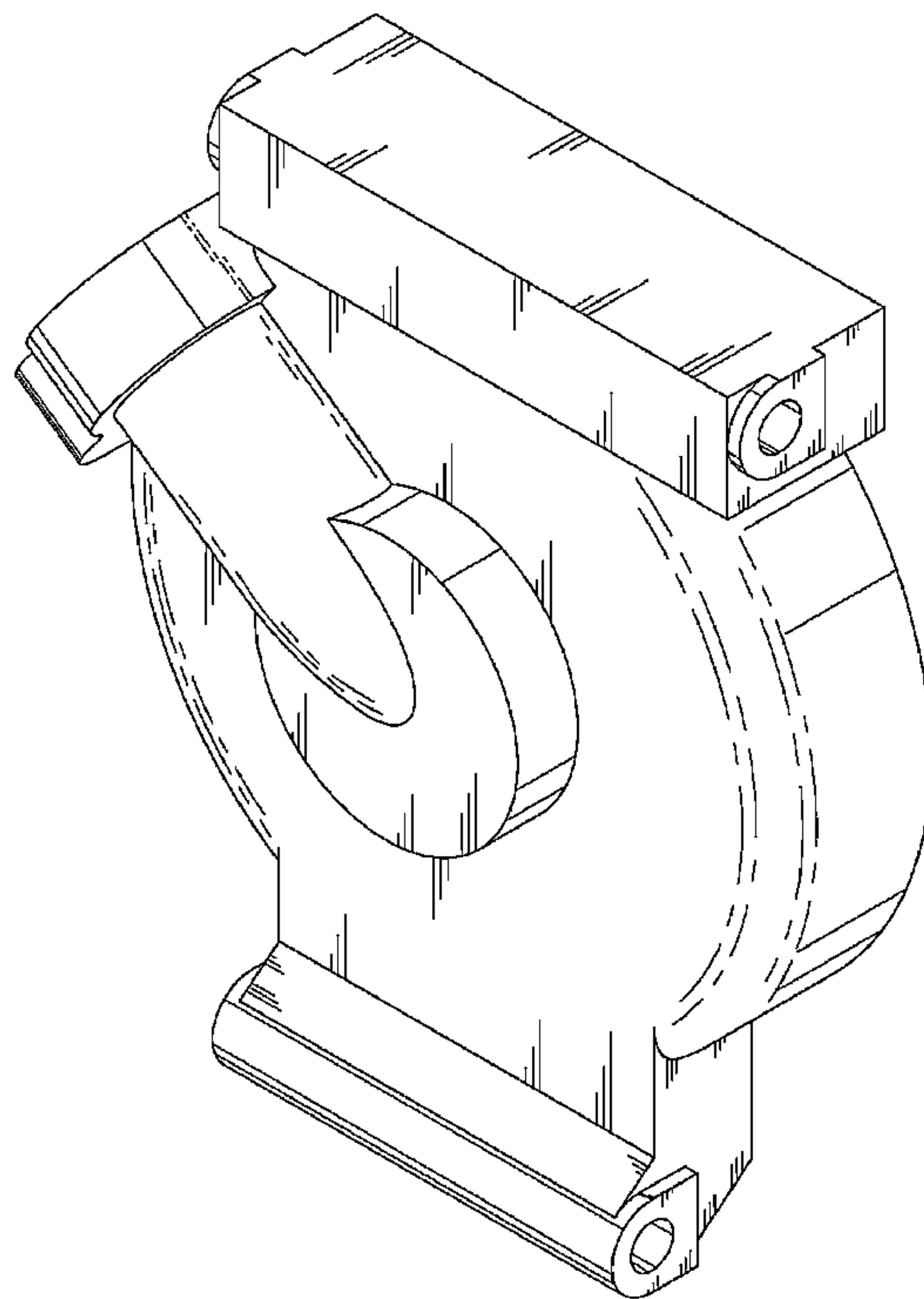
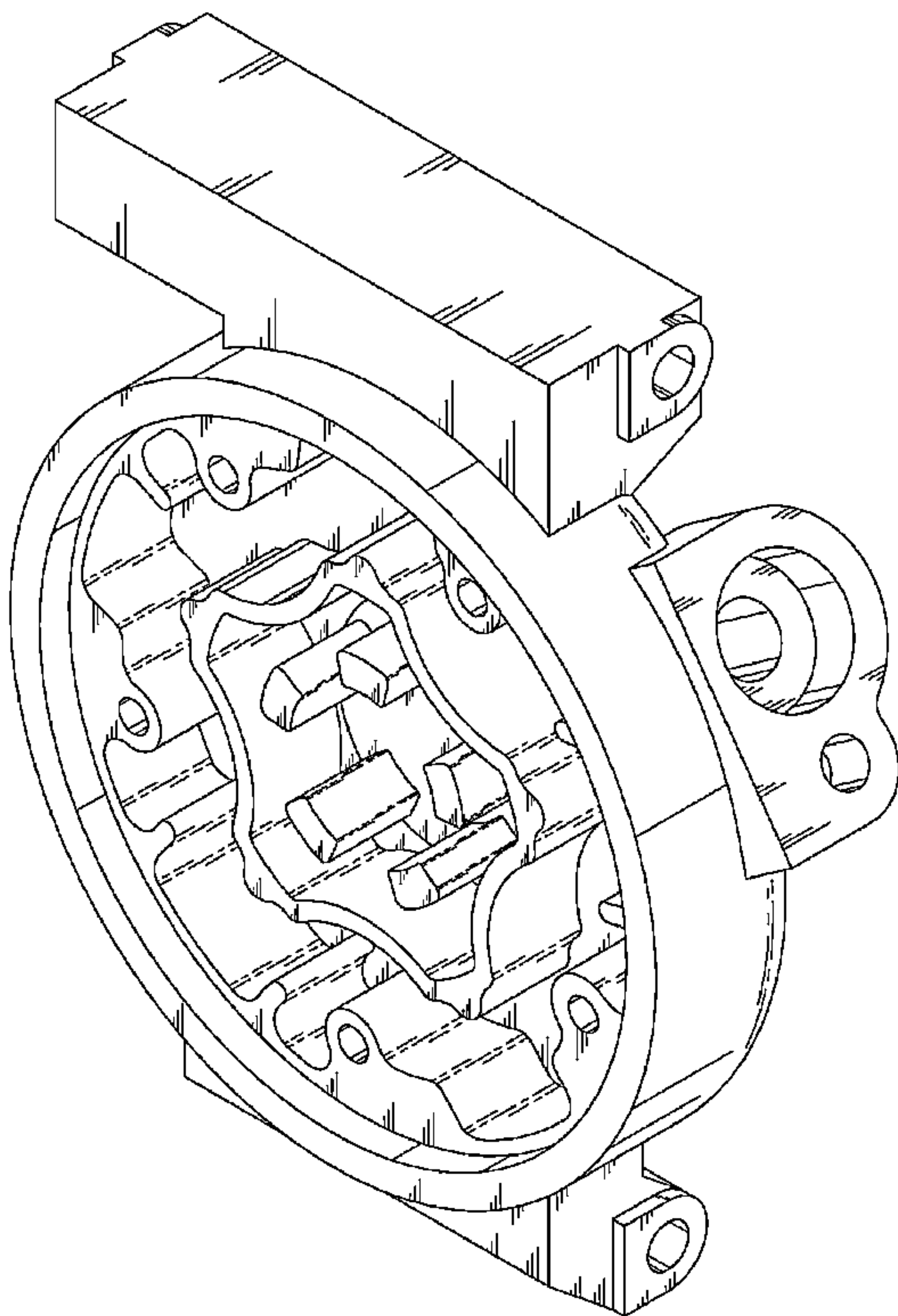
(57) **CLAIM**

The ornamental design for a cap for air compressor, as shown and described.

DESCRIPTION

FIG. 1 is a front and upper perspective view of a cap for air compressor showing my new design; FIG. 2 is a front elevational view thereof; FIG. 3 is a rear elevational view thereof; FIG. 4 is a top plan view thereof; FIG. 5 is a bottom plan view thereof; FIG. 6 is a left side elevational view thereof; FIG. 7 is a right side elevational view thereof; FIG. 8 is a rear perspective view thereof; FIG. 9 is a front and bottom perspective view thereof; FIG. 10 is a front and upper perspective view thereof, the openings and the ribs depicted by means of broken lines being for illustrative purposes only and forming no part of the claimed design; and, FIG. 11 is a rear perspective view thereof, the openings depicted by means of broken lines being for illustrative purposes only and forming no part of the claimed design.

1 Claim, 9 Drawing Sheets



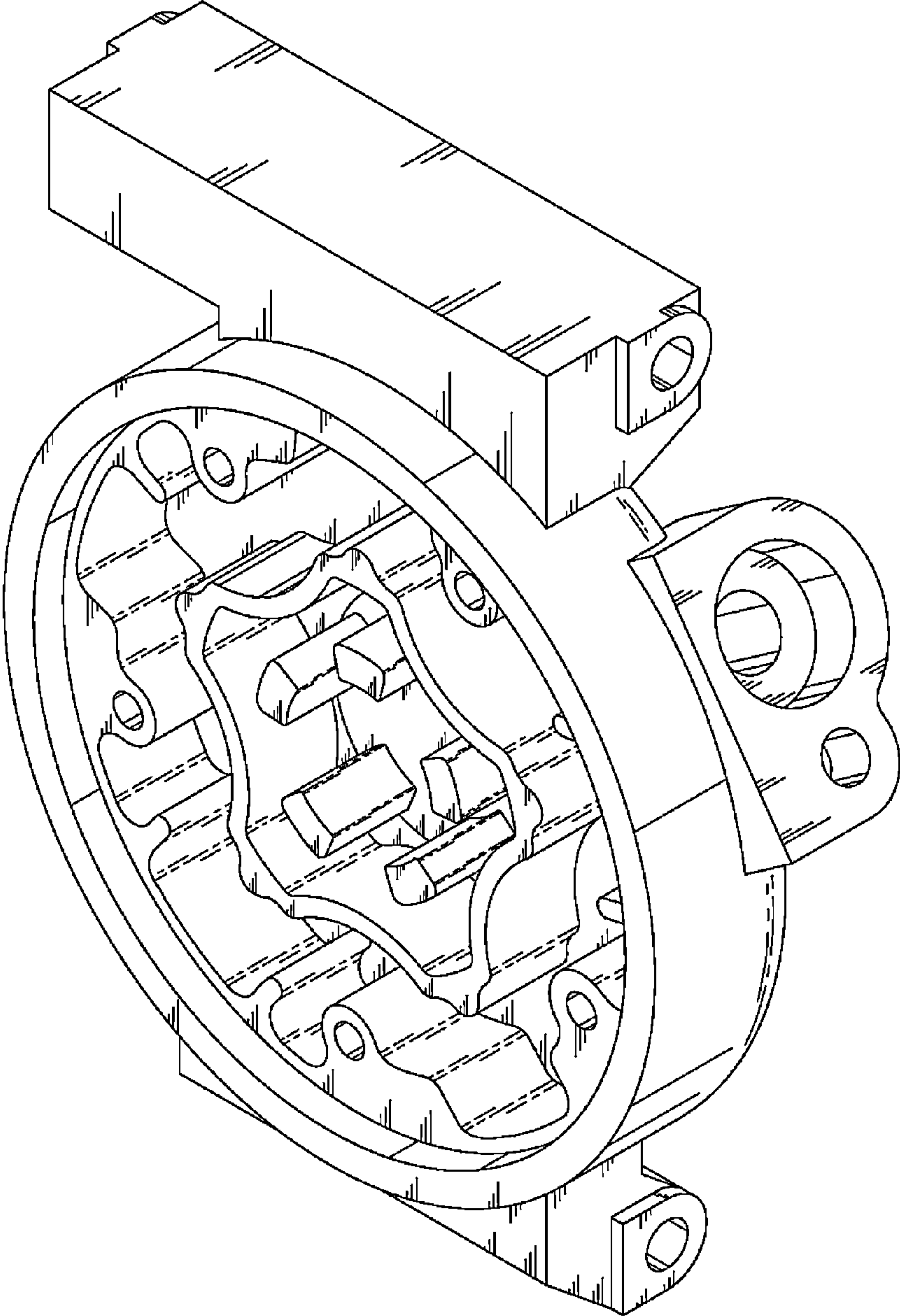


FIG. 1

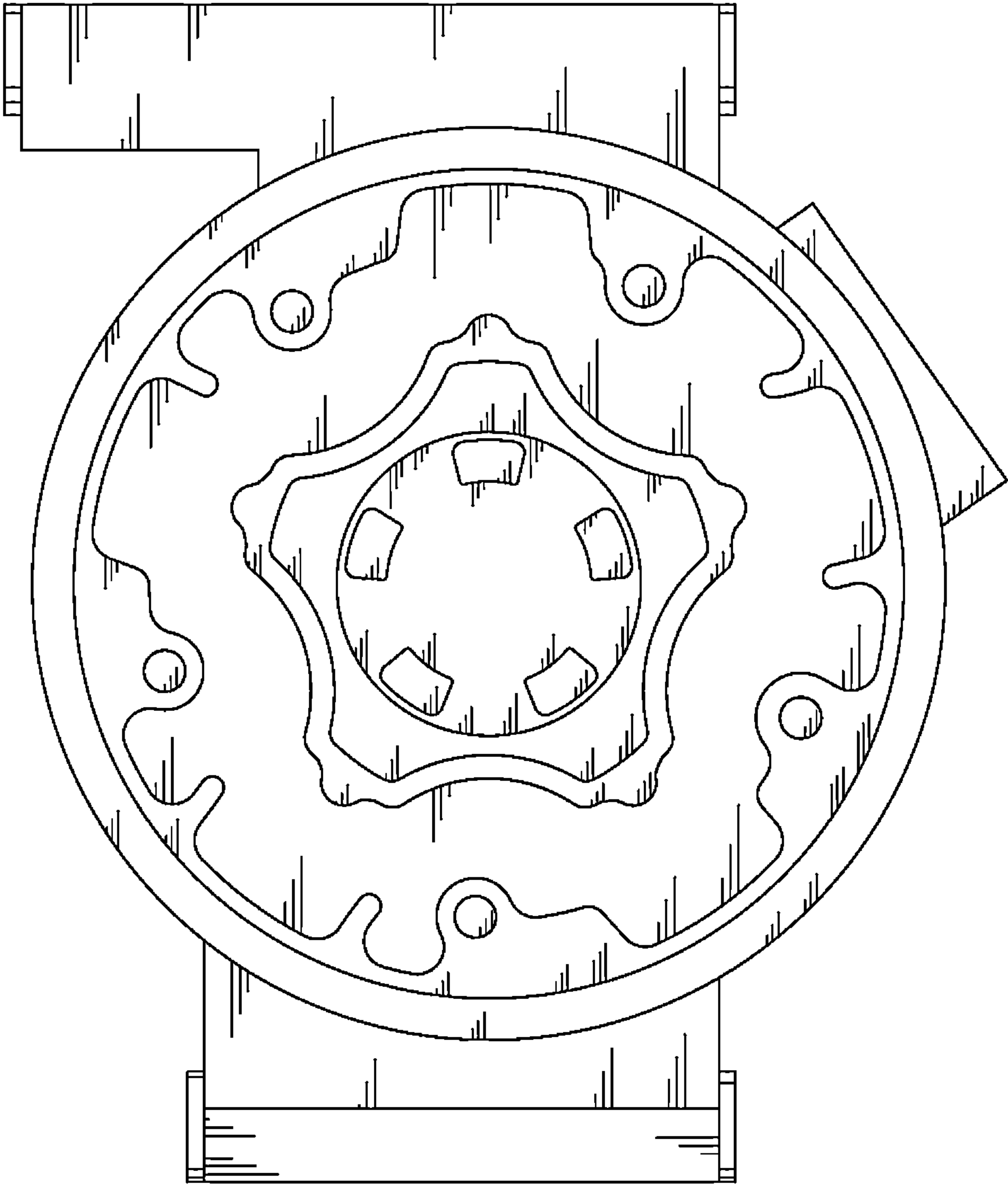


FIG. 2

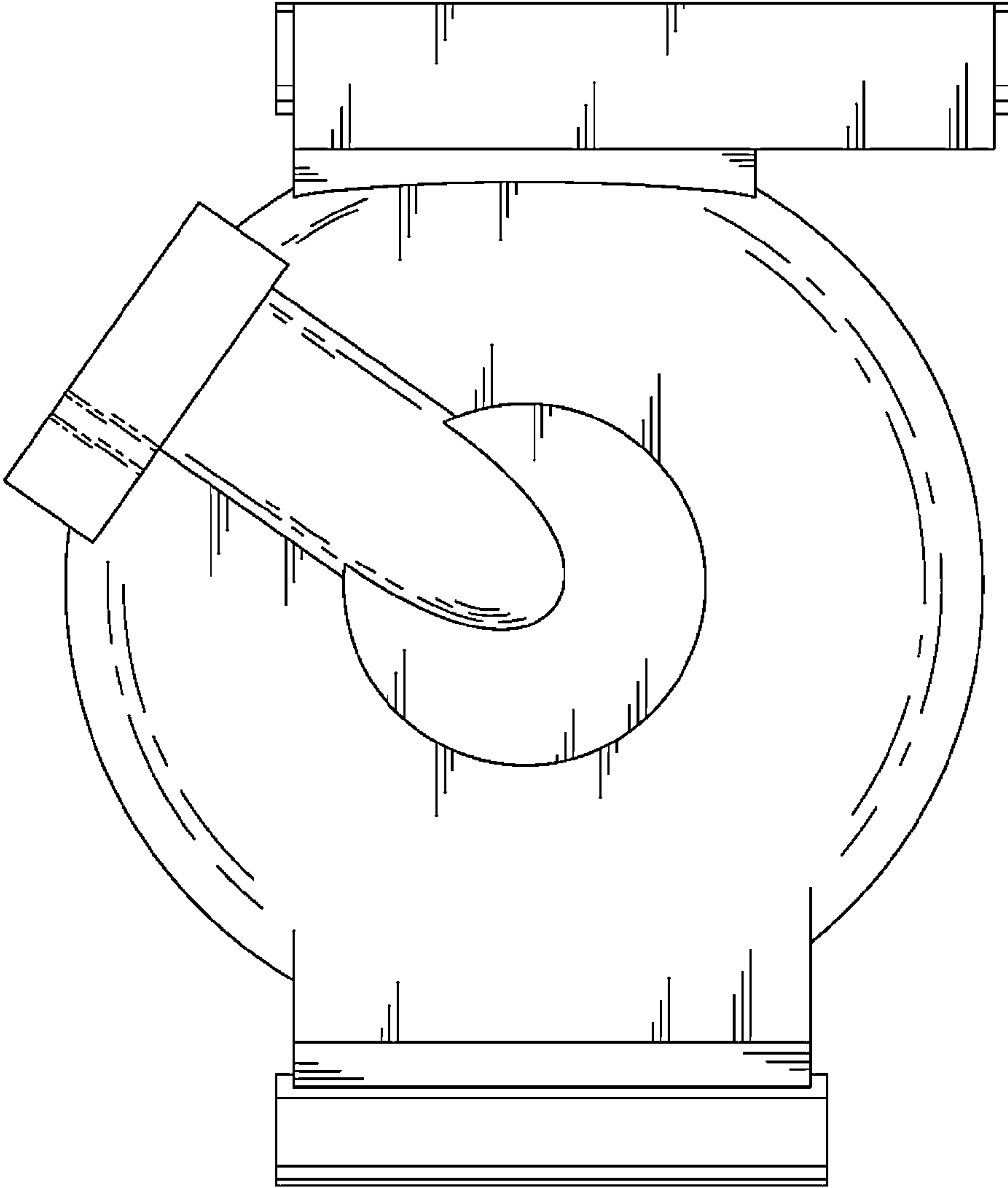


FIG. 3

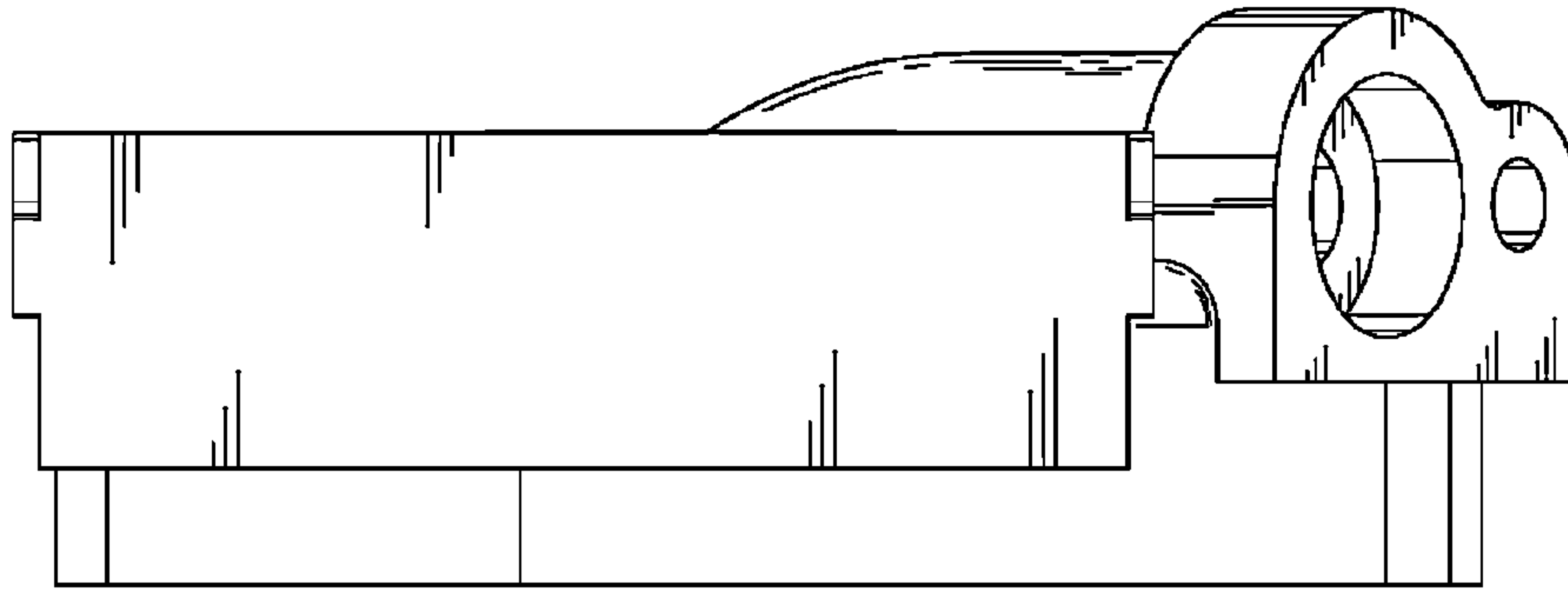


FIG. 4

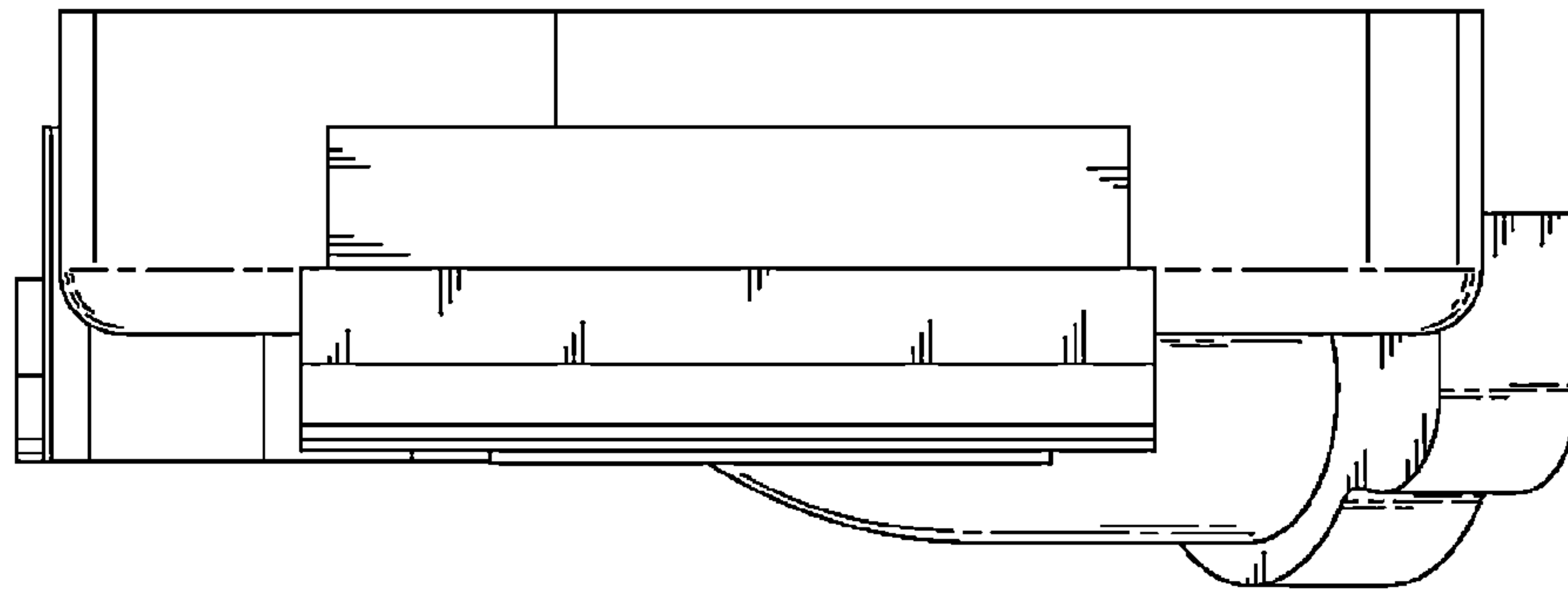


FIG. 5

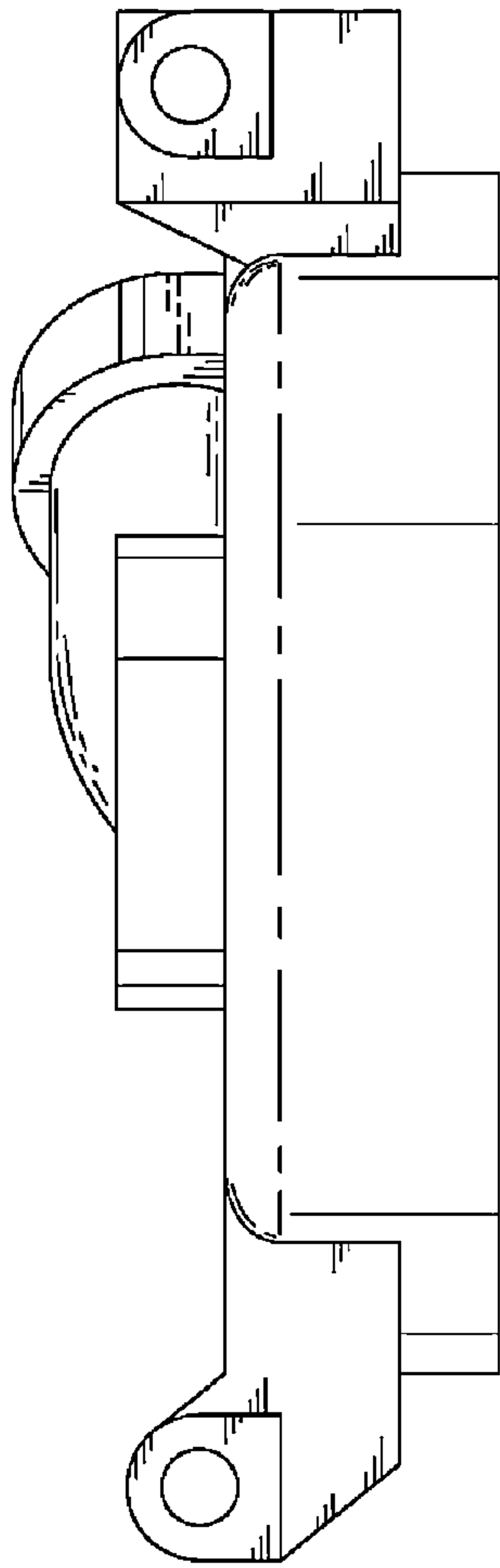


FIG. 6

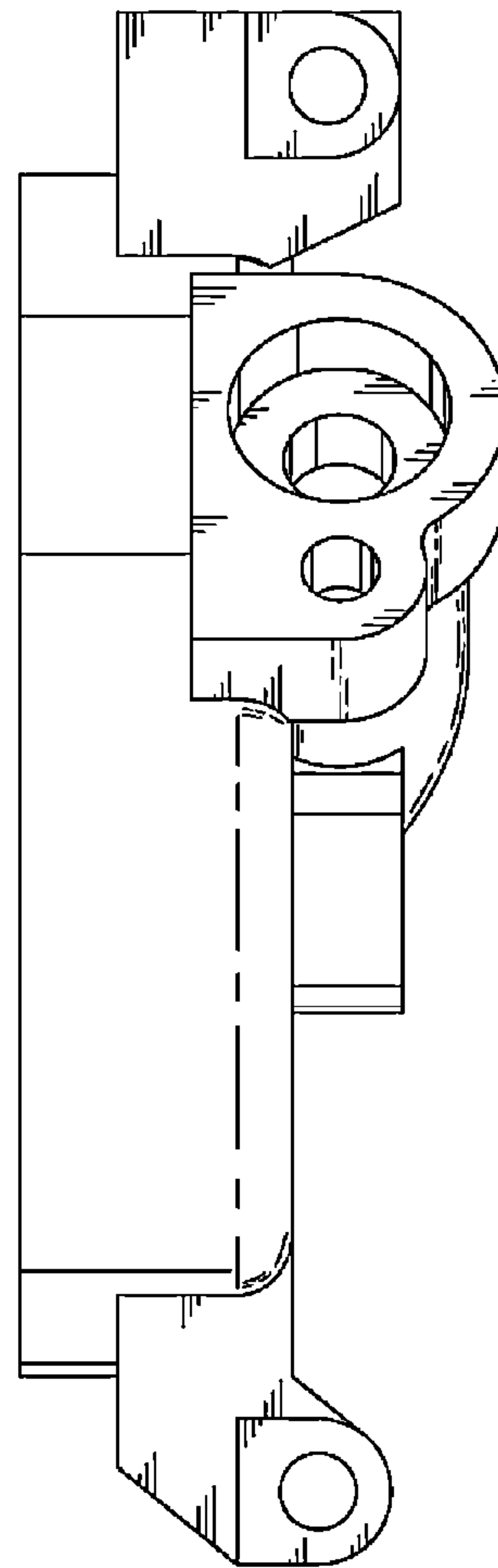


FIG. 7

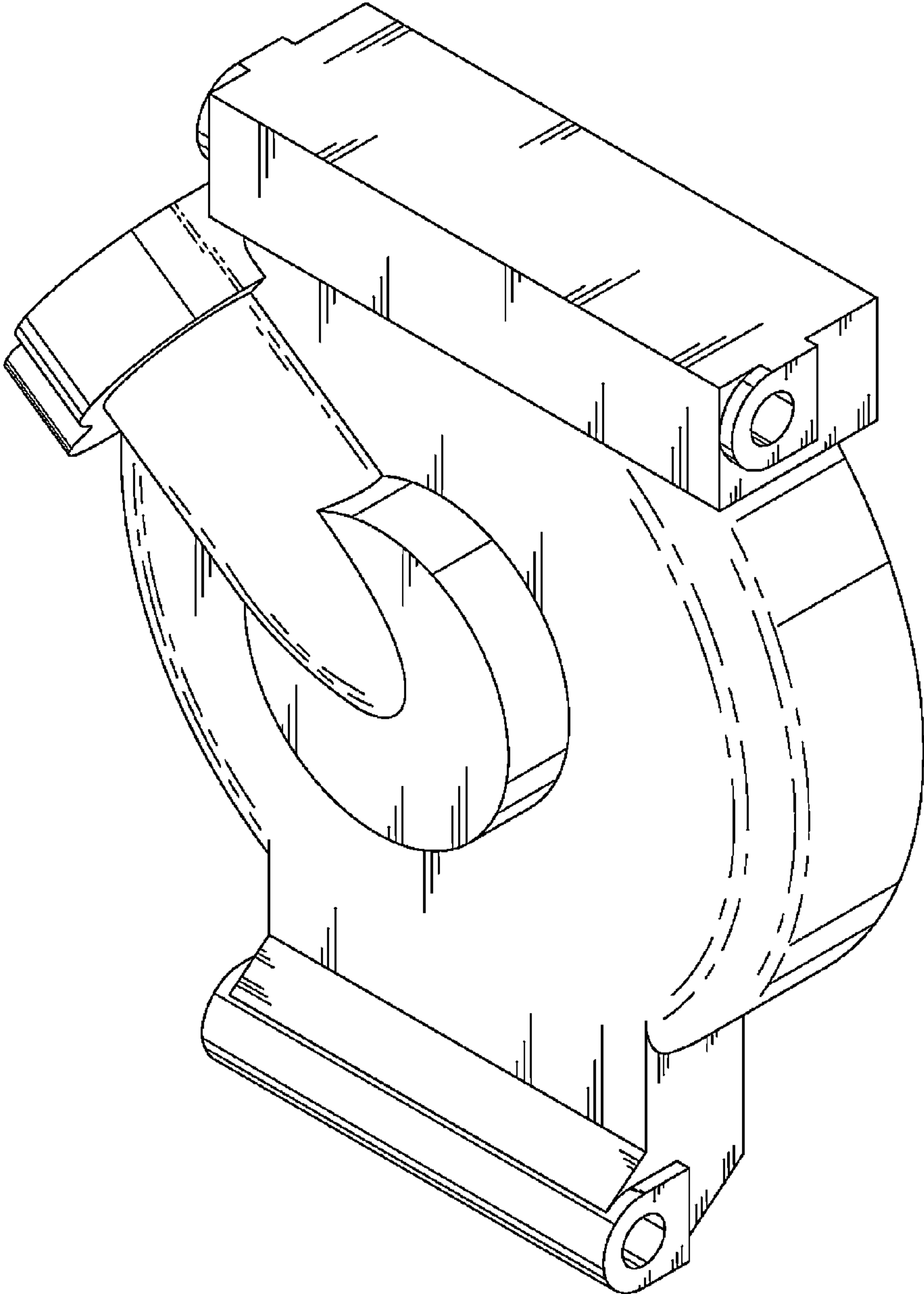


FIG. 8

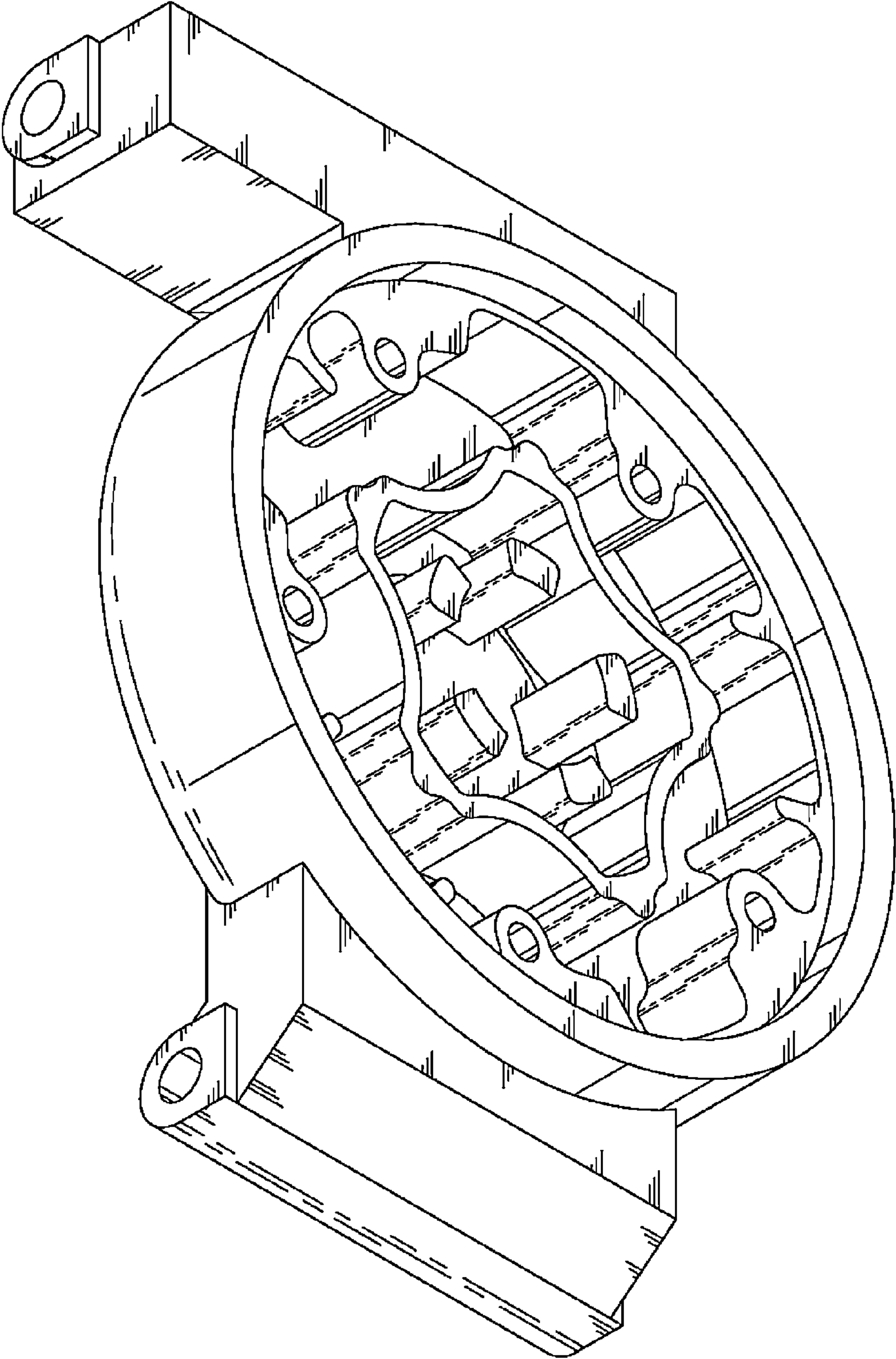


FIG. 9

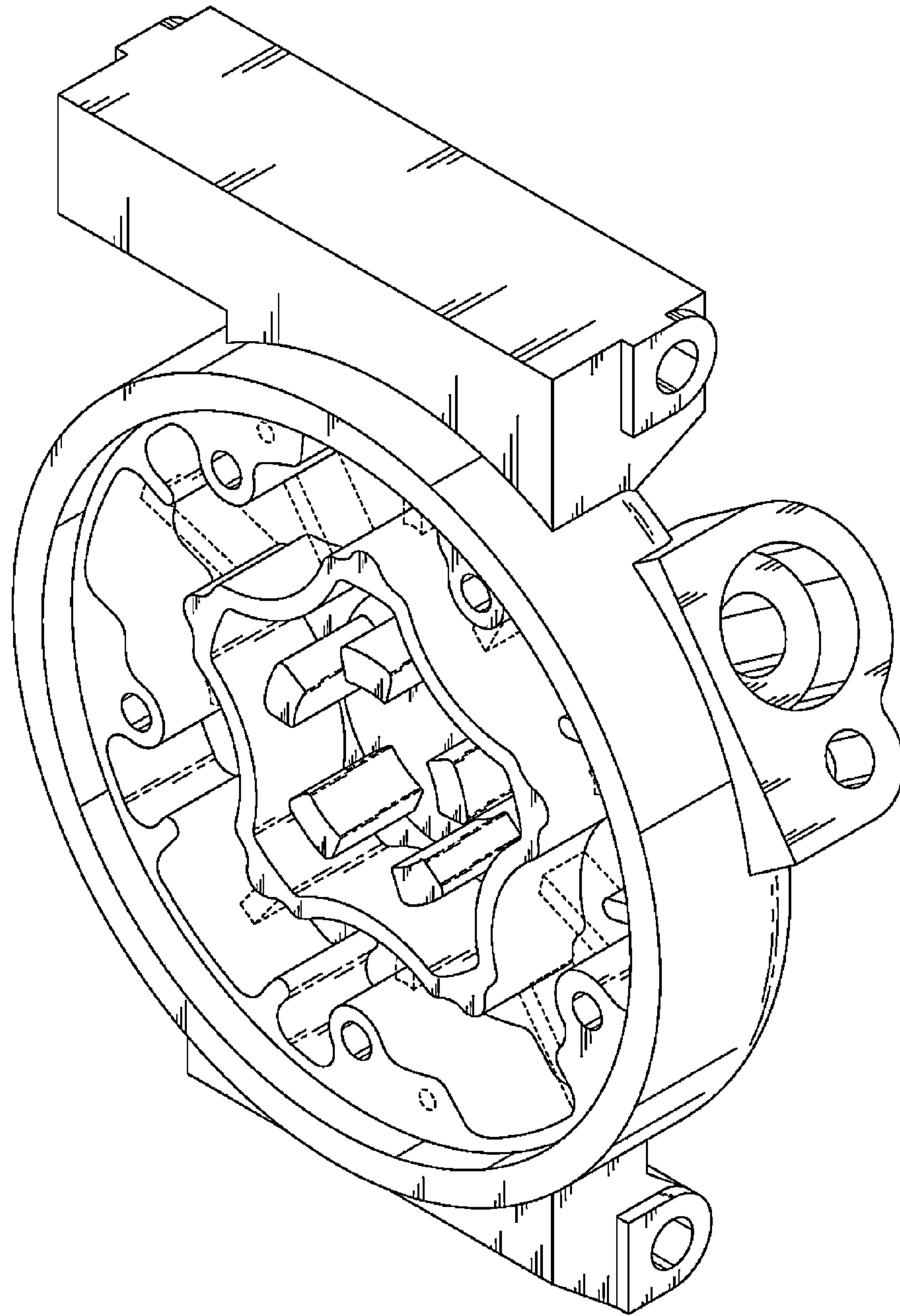


FIG. 10

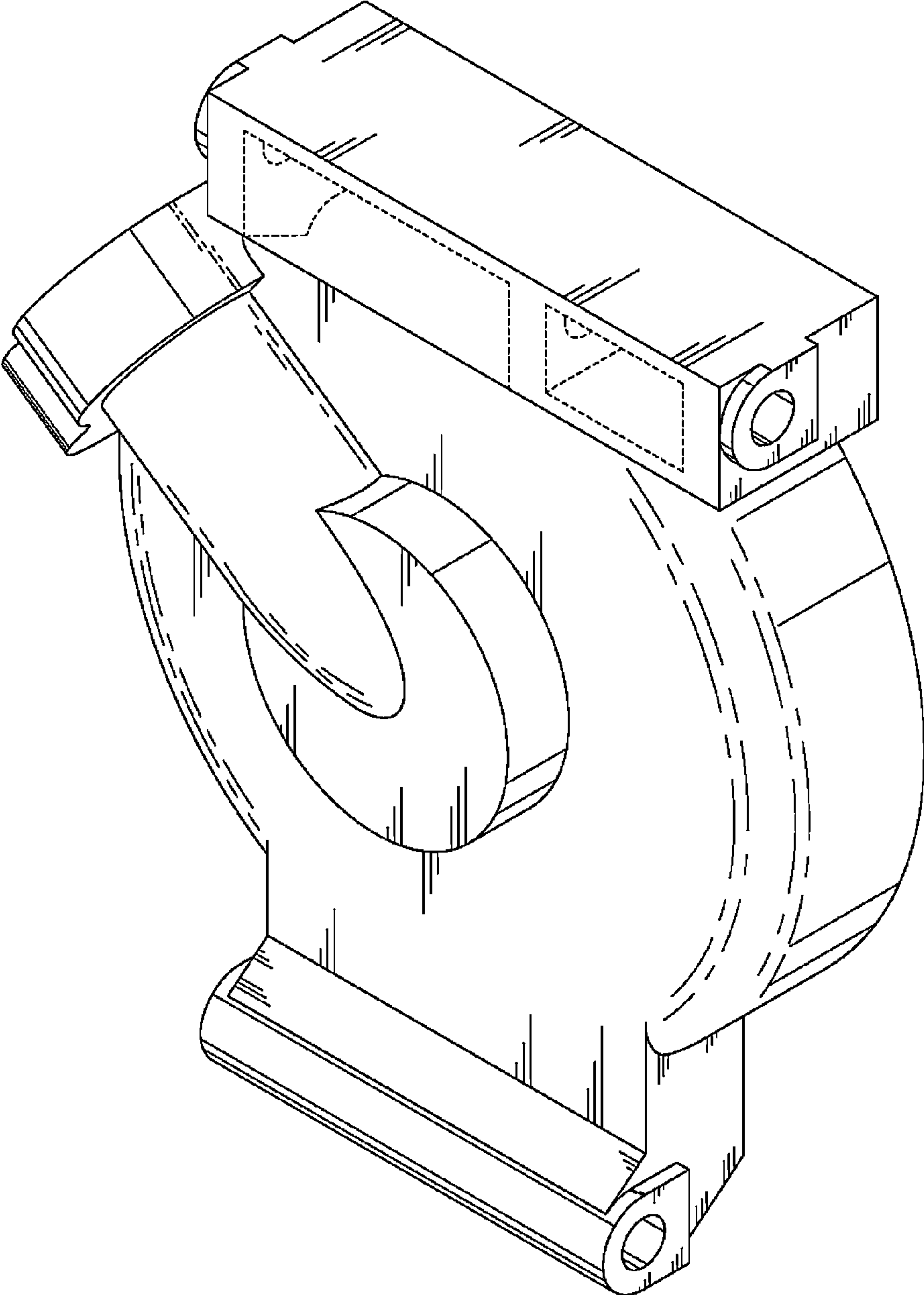


FIG. 11