



US00D694271S

(12) **United States Design Patent**
Chu

(10) **Patent No.:** **US D694,271 S**
(45) **Date of Patent:** **** Nov. 26, 2013**

- (54) **CAP FOR AIR COMPRESSOR**
- (71) Applicant: **Henry C. Chu**, Orange, CA (US)
- (72) Inventor: **Henry C. Chu**, Orange, CA (US)
- (**) Term: **14 Years**
- (21) Appl. No.: **29/433,824**
- (22) Filed: **Oct. 5, 2012**
- (51) **LOC (9) Cl.** **15-02**
- (52) **U.S. Cl.**
USPC **D15/9**
- (58) **Field of Classification Search**
USPC D15/7-9; D23/231, 232, 225; 417/60,
417/235, 265, 321, 355, 358, 363, 359,
417/410.1, 415-416, 405, 900; 60/408,
60/412; 184/26-37; 415/140-147;
123/495, 509
See application file for complete search history.

D657,384	S	*	4/2012	Chu	D15/9
D657,391	S	*	4/2012	Chu	D15/9
D678,345	S	*	3/2013	Chu	D15/9

* cited by examiner

Primary Examiner — Ralf Seifert

(74) *Attorney, Agent, or Firm* — Charles E. Baxley

(57) **CLAIM**

The ornamental design for a cap for air compressor, as shown and described.

DESCRIPTION

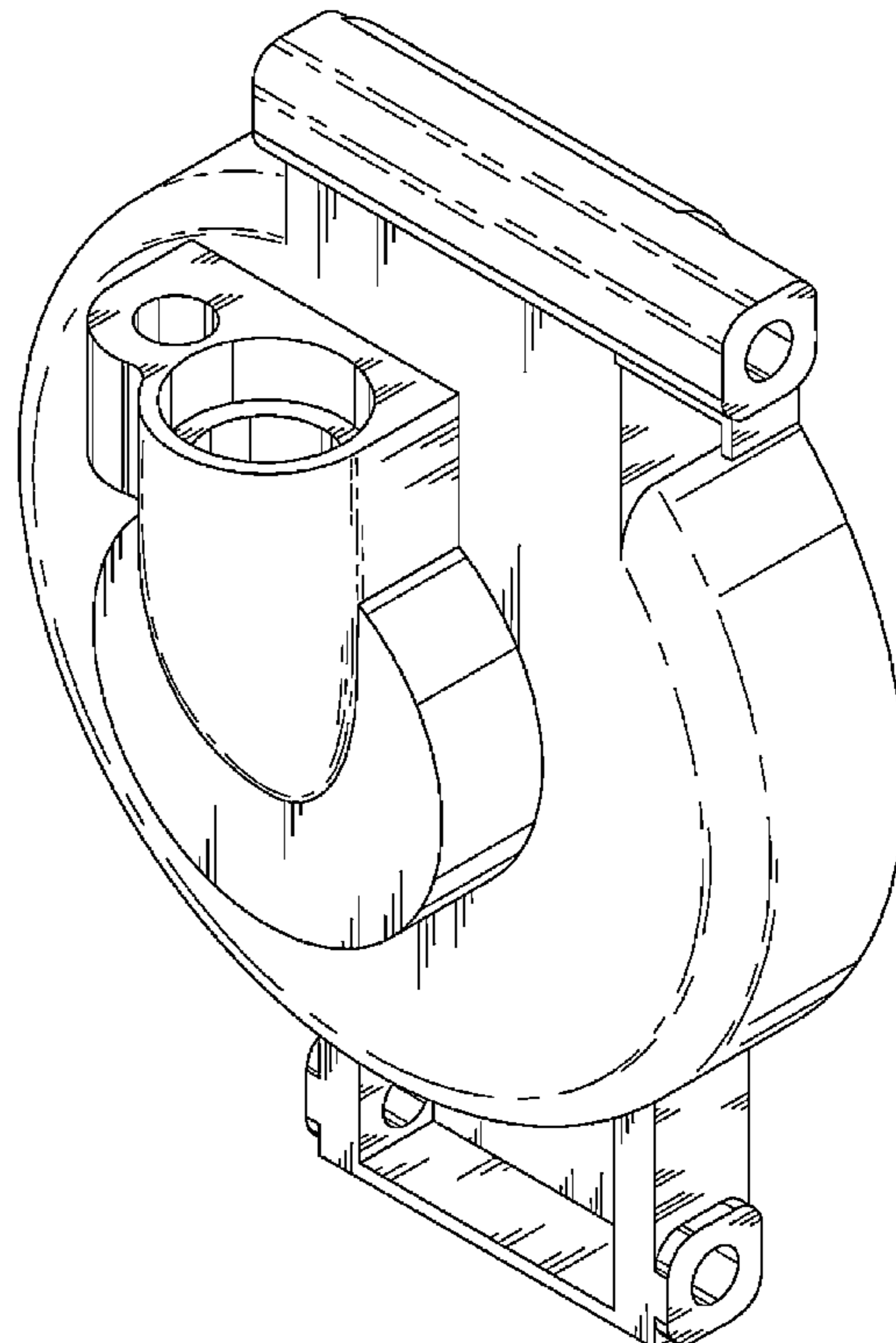
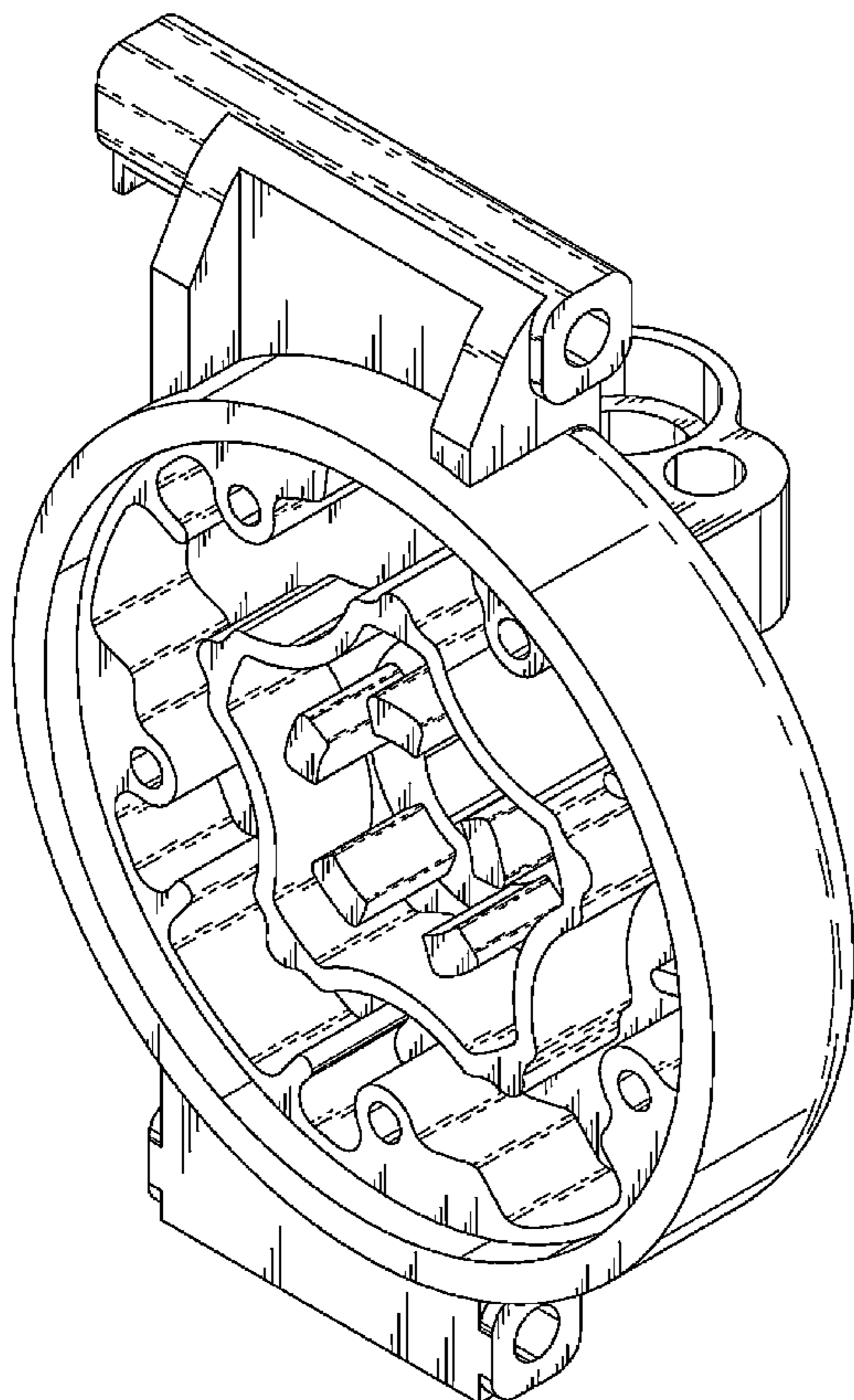
FIG. 1 is a front and upper perspective view of a cap for air compressor showing my new design;
 FIG. 2 is a front elevational view thereof;
 FIG. 3 is a rear elevational view thereof;
 FIG. 4 is a top plan view thereof;
 FIG. 5 is a bottom plan view thereof;
 FIG. 6 is a left side elevational view thereof;
 FIG. 7 is a right side elevational view thereof;
 FIG. 8 is a rear perspective view thereof;
 FIG. 9 is a front and bottom perspective view thereof; and,
 FIG. 10 is a front and upper view thereof, the openings and the protrusions and the bulges depicted by means of broken lines being for illustrative purposes only and forming no part of the claimed design.

(56) **References Cited**

U.S. PATENT DOCUMENTS

D507,280	S	*	7/2005	Chu et al.	D15/9
D556,783	S	*	12/2007	Chu	D15/9
D557,287	S	*	12/2007	Chu	D15/9
D603,873	S	*	11/2009	Chu	D15/9
D603,874	S	*	11/2009	Chu	D15/9

1 Claim, 8 Drawing Sheets



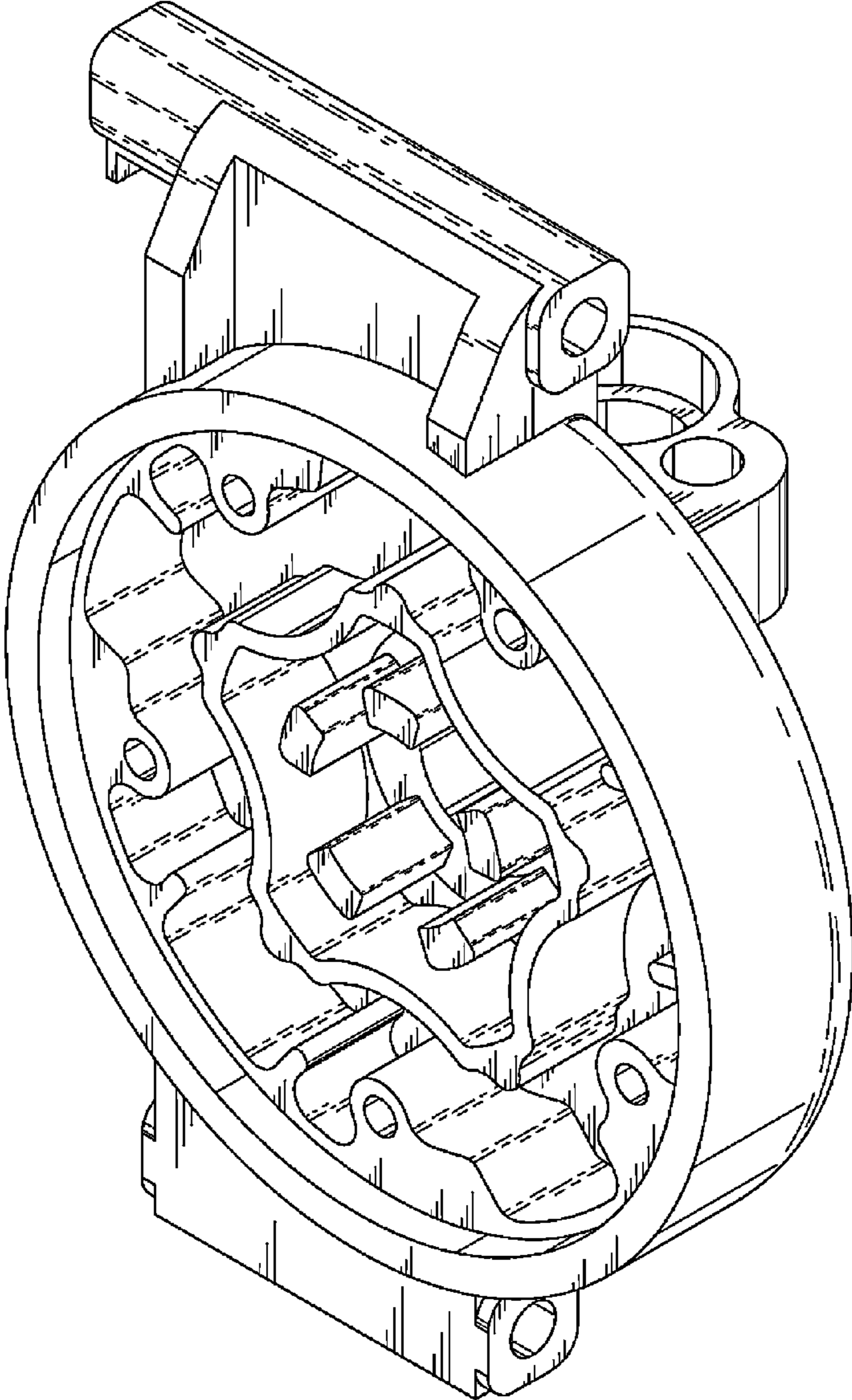


FIG. 1

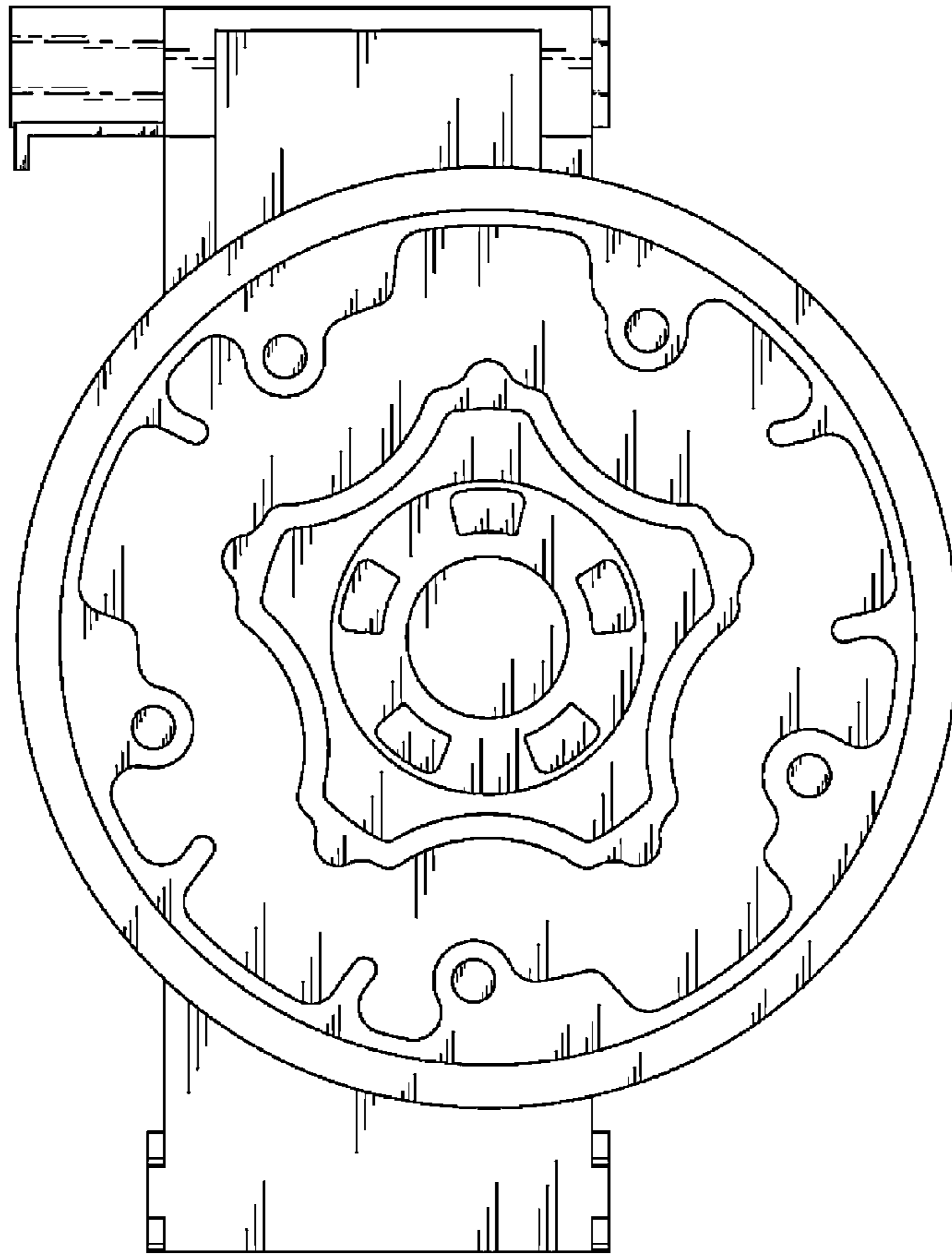


FIG. 2

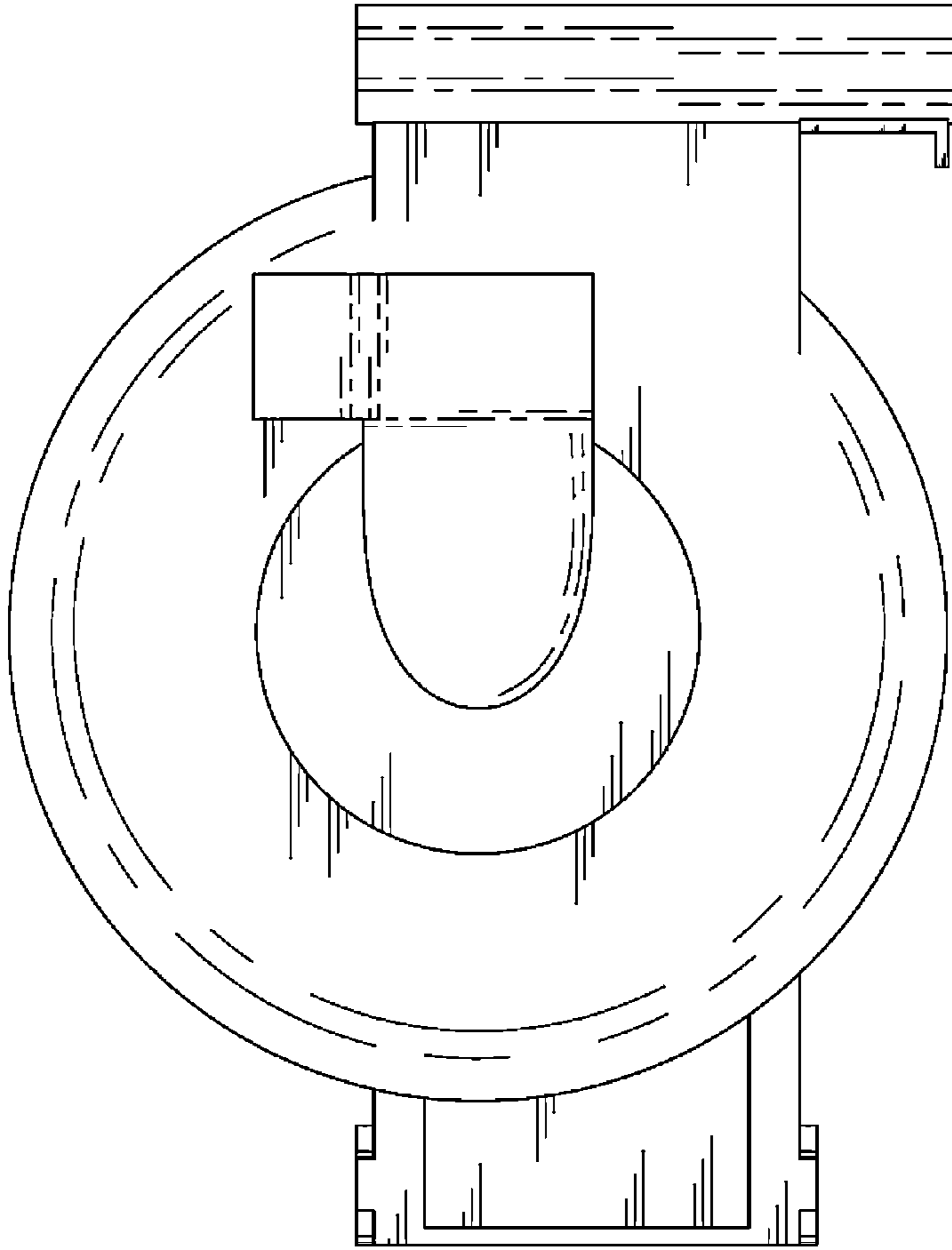


FIG. 3

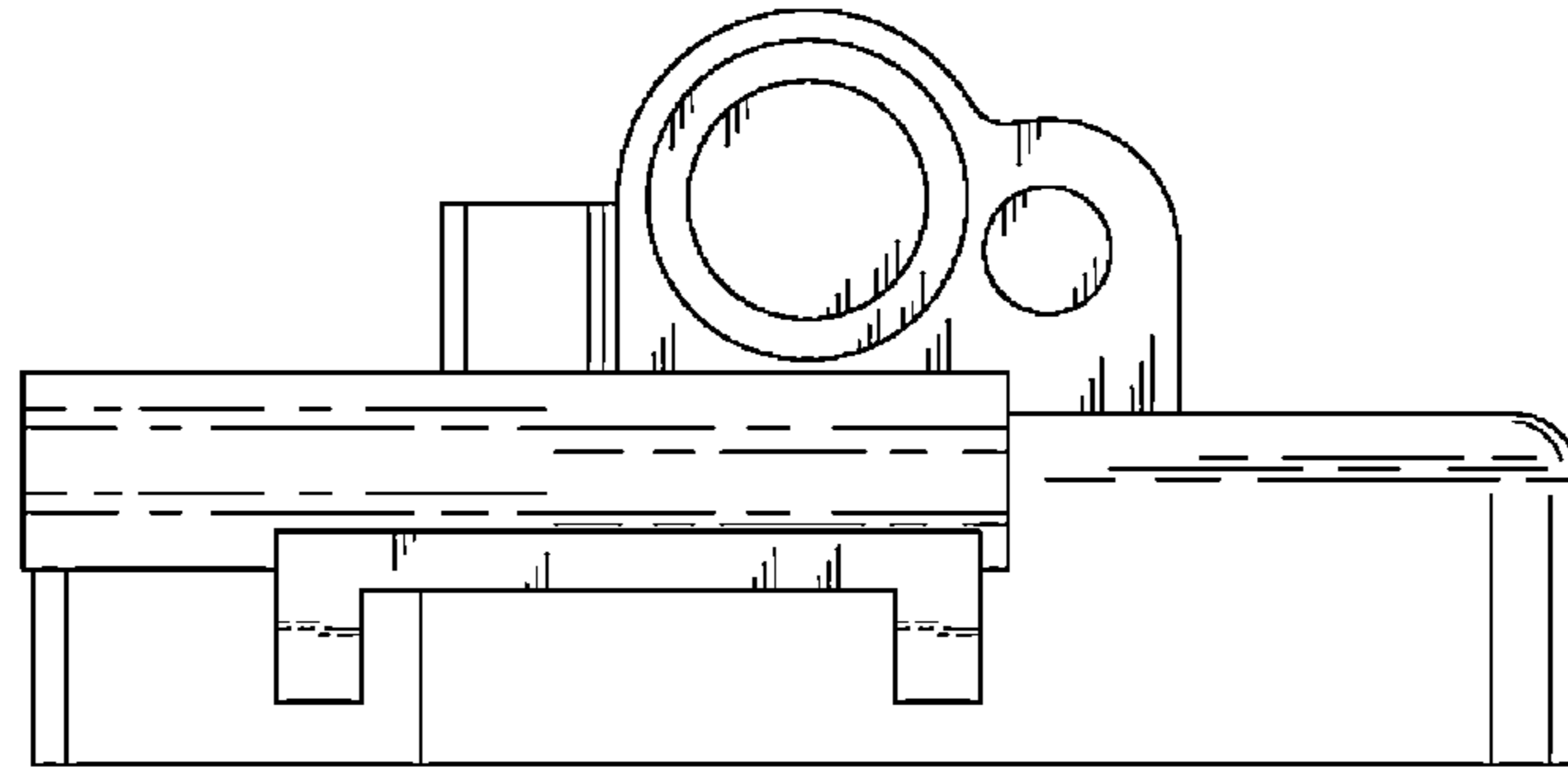


FIG. 4

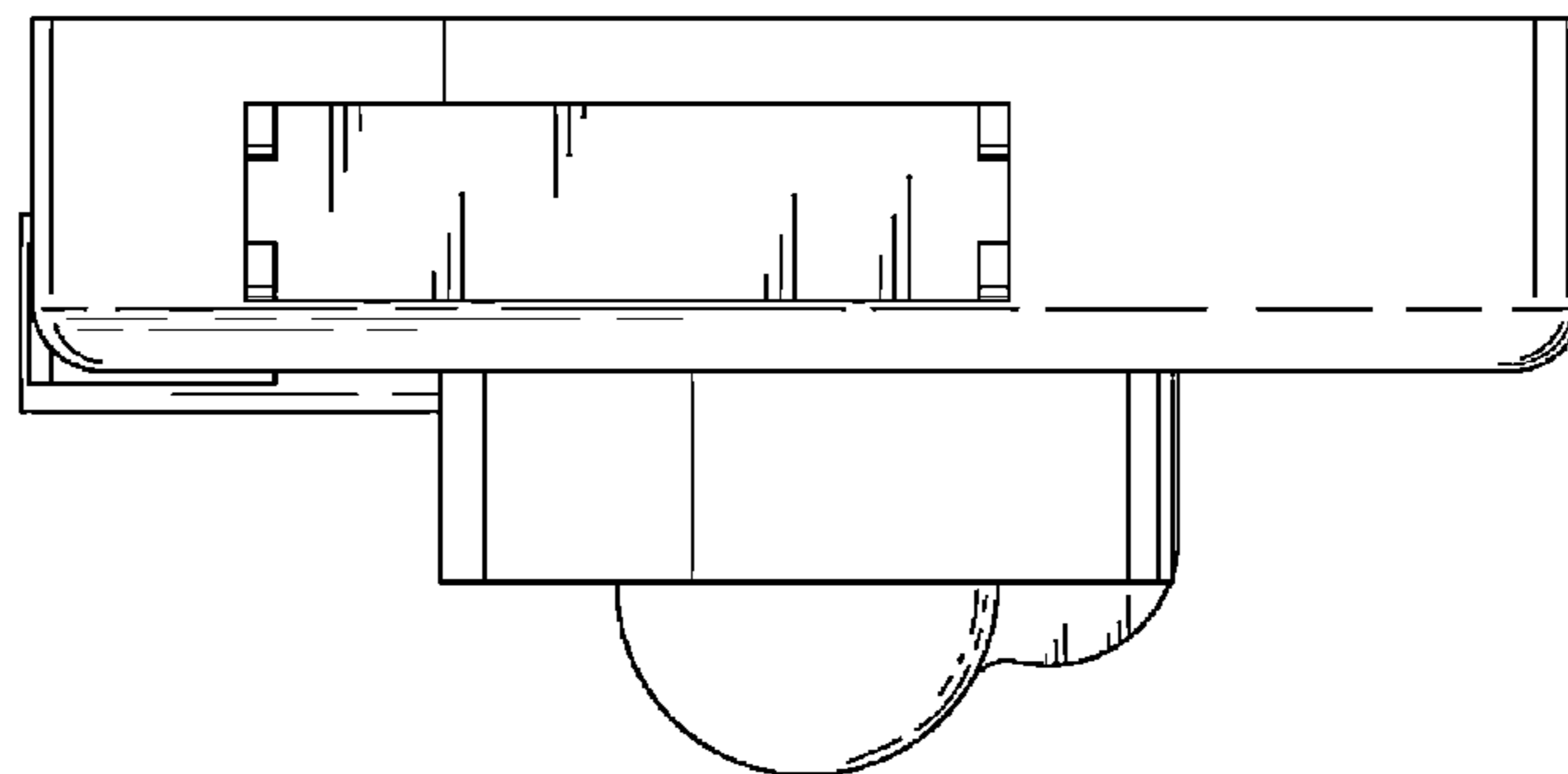


FIG. 5

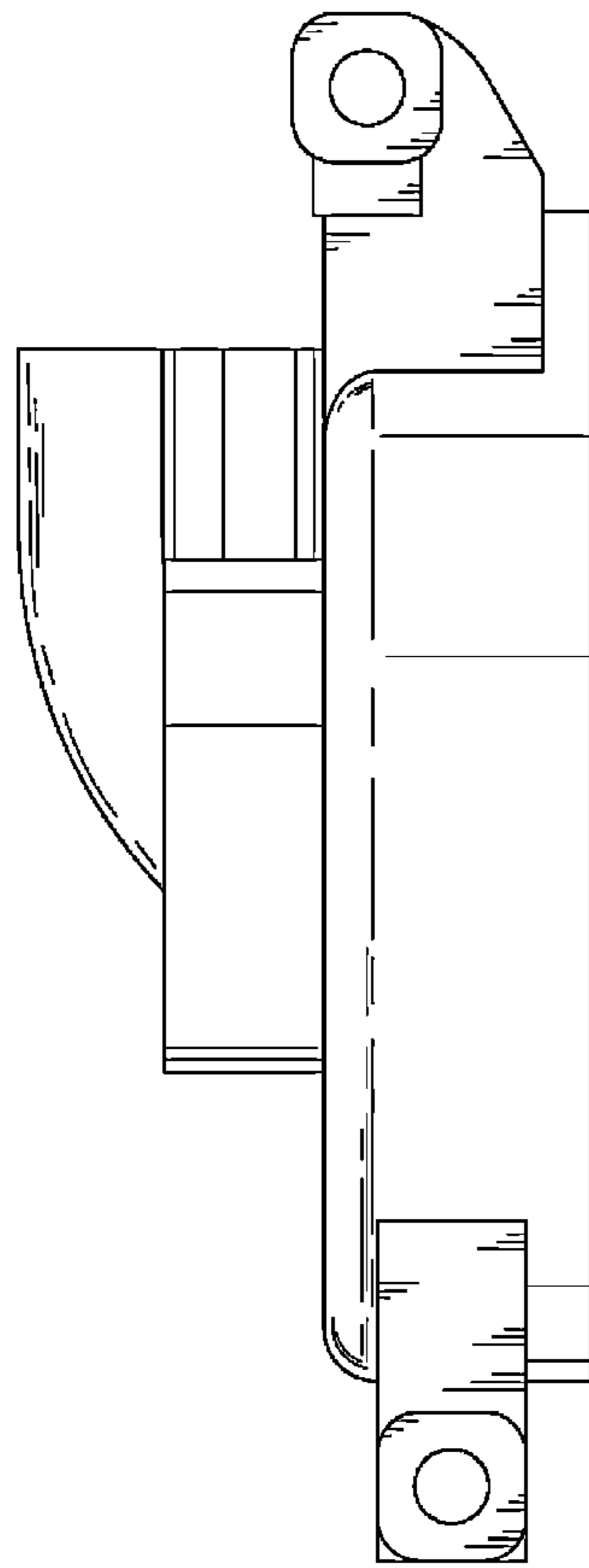


FIG. 6

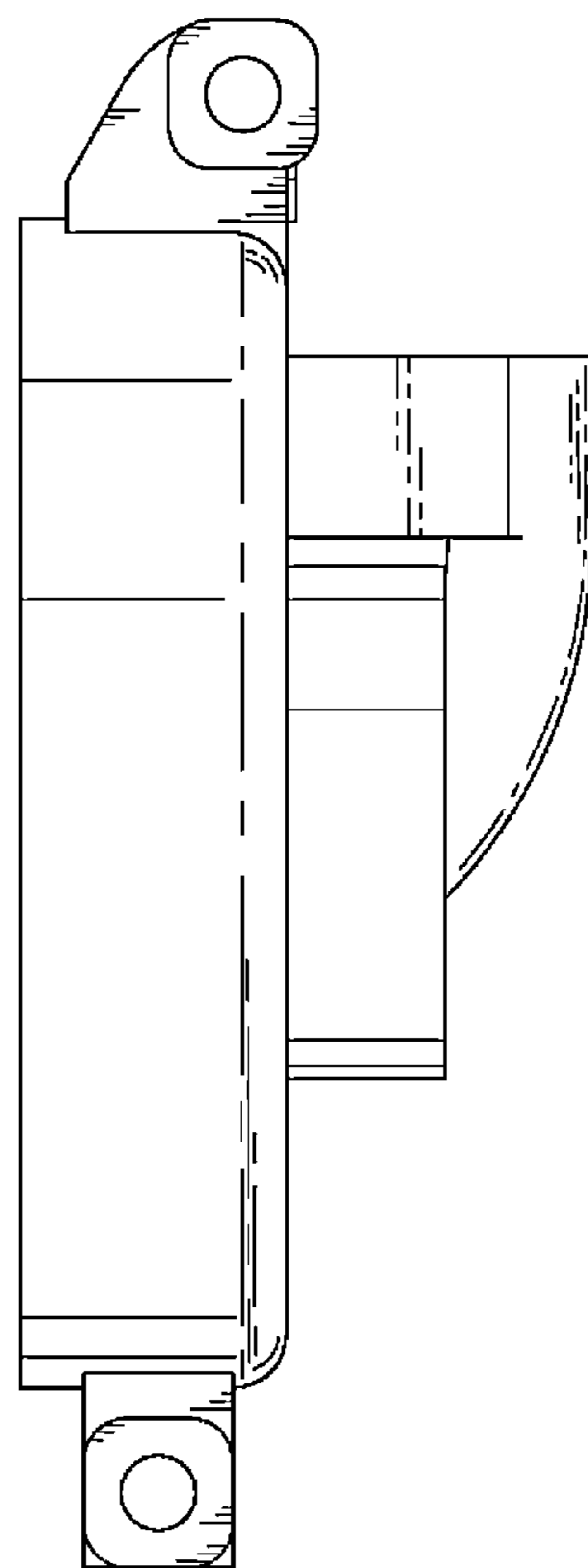


FIG. 7

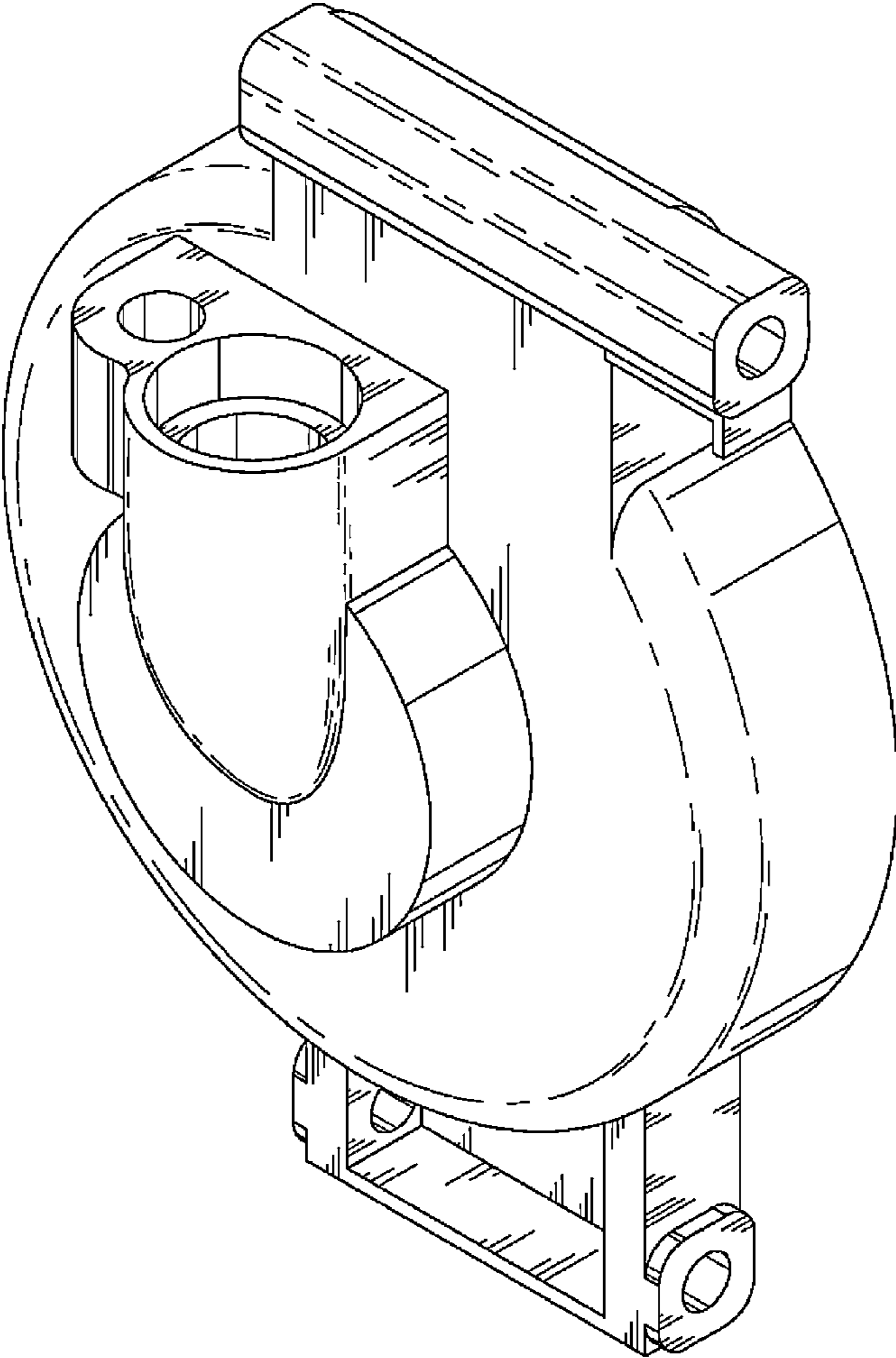


FIG. 8

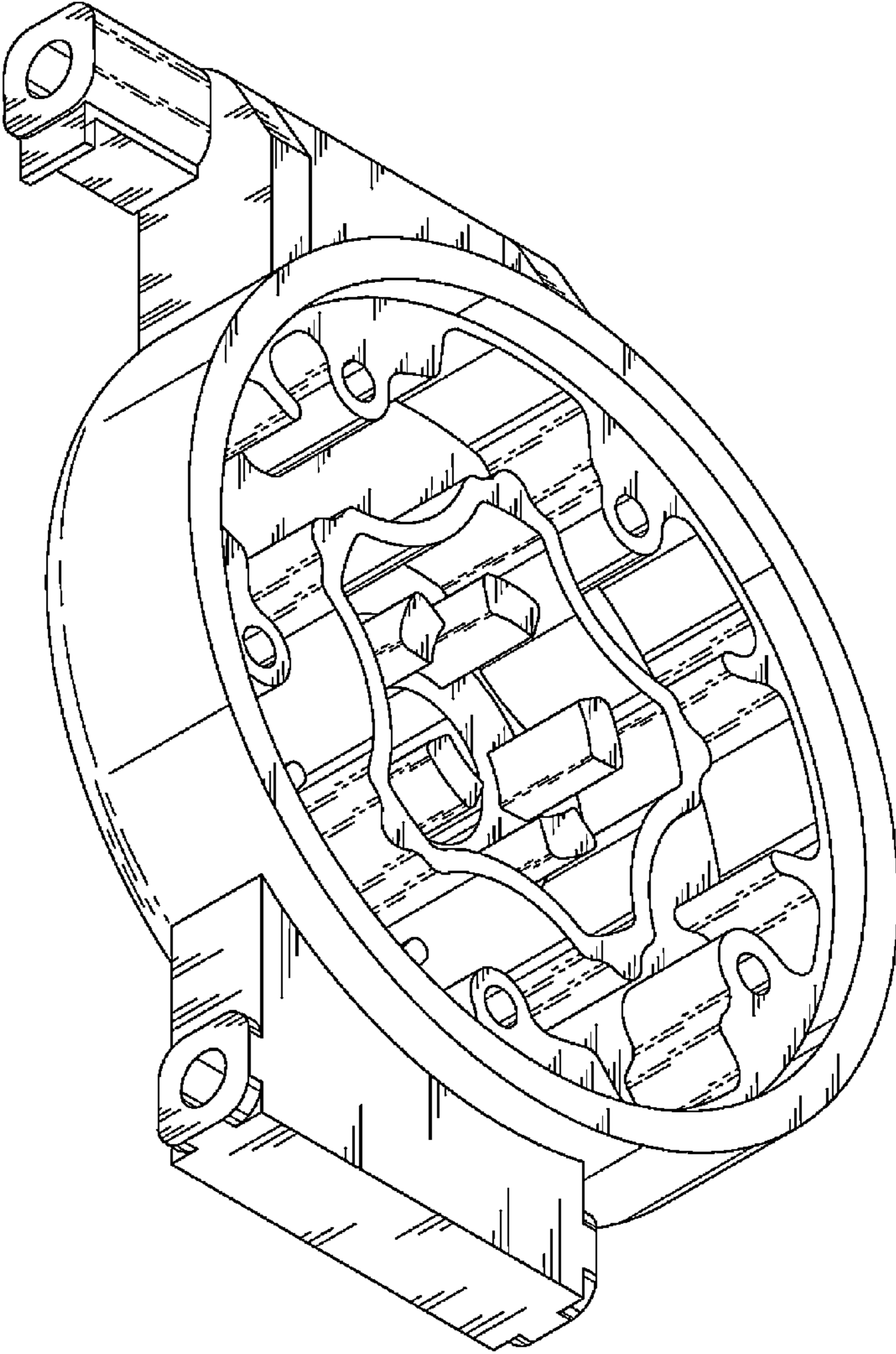


FIG. 9

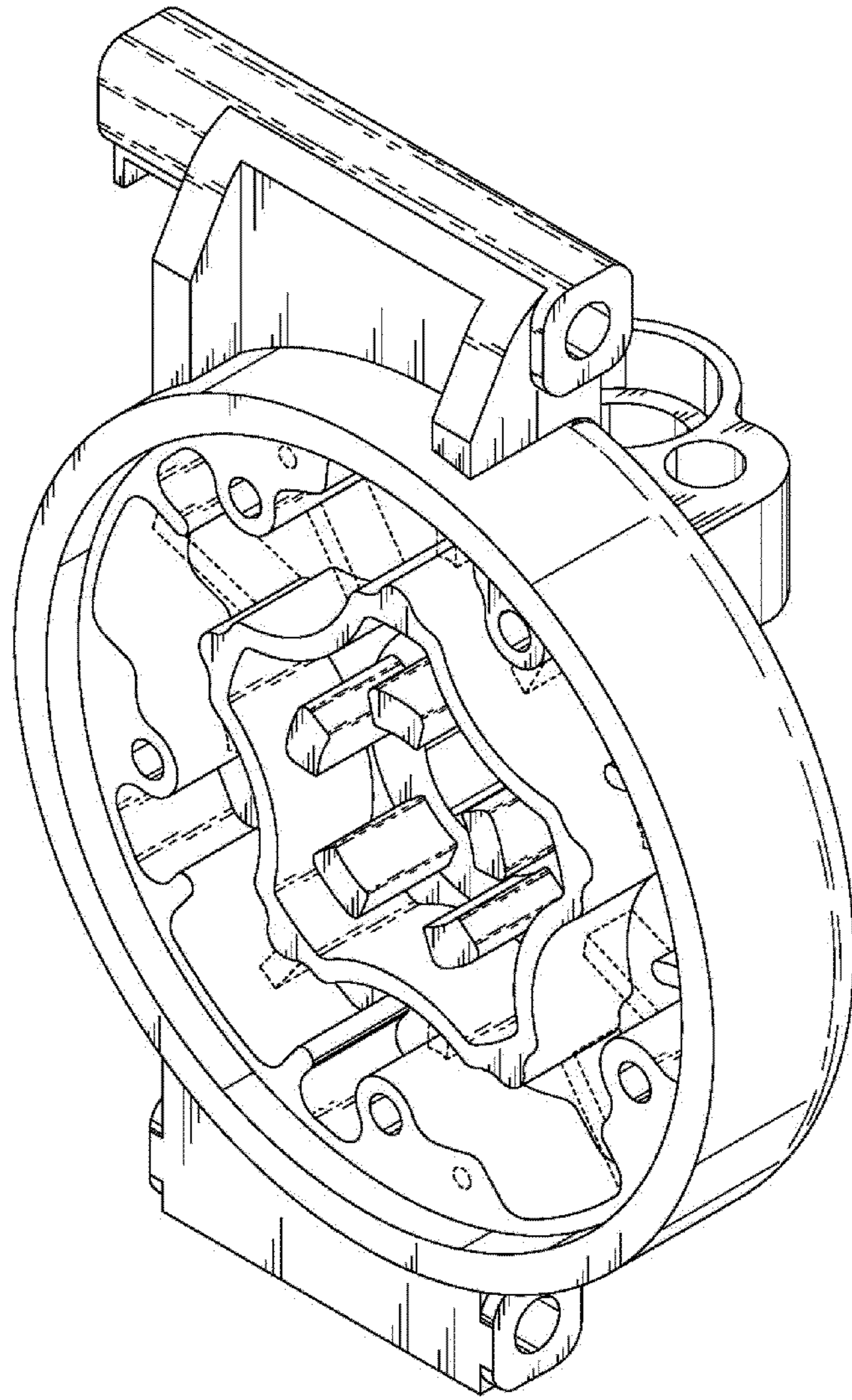


FIG. 10