



US00D694269S

(12) **United States Design Patent**
Chen

(10) **Patent No.:** **US D694,269 S**

(45) **Date of Patent:** **** Nov. 26, 2013**

(54) **AIR COMPRESSOR CYLINDER HOUSING
AND CAP**

D537,843 S * 3/2007 Chu D15/9
D538,301 S * 3/2007 Chu D15/9
D540,823 S * 4/2007 An D15/9

(76) Inventor: **Chun Lan Chen**, Xingling (CN)

* cited by examiner

(**) Term: **14 Years**

Primary Examiner — Ralf Seifert

(21) Appl. No.: **29/374,699**

(74) *Attorney, Agent, or Firm* — Charles E. Baxley

(22) Filed: **Sep. 22, 2011**

(57) **CLAIM**

The ornamental design for an air compressor cylinder housing and cap, as shown and described.

(51) **LOC (9) Cl.** **15-02**

DESCRIPTION

(52) **U.S. Cl.**
USPC **D15/9**

(58) **Field of Classification Search**

USPC D15/7-9; D23/231, 232, 225; 417/60,
417/235, 265, 321, 355, 358, 363, 359,
417/410.1, 415-416, 405, 900; 60/408,
60/412; 184/26-37; 415/140-147;
123/495, 509

See application file for complete search history.

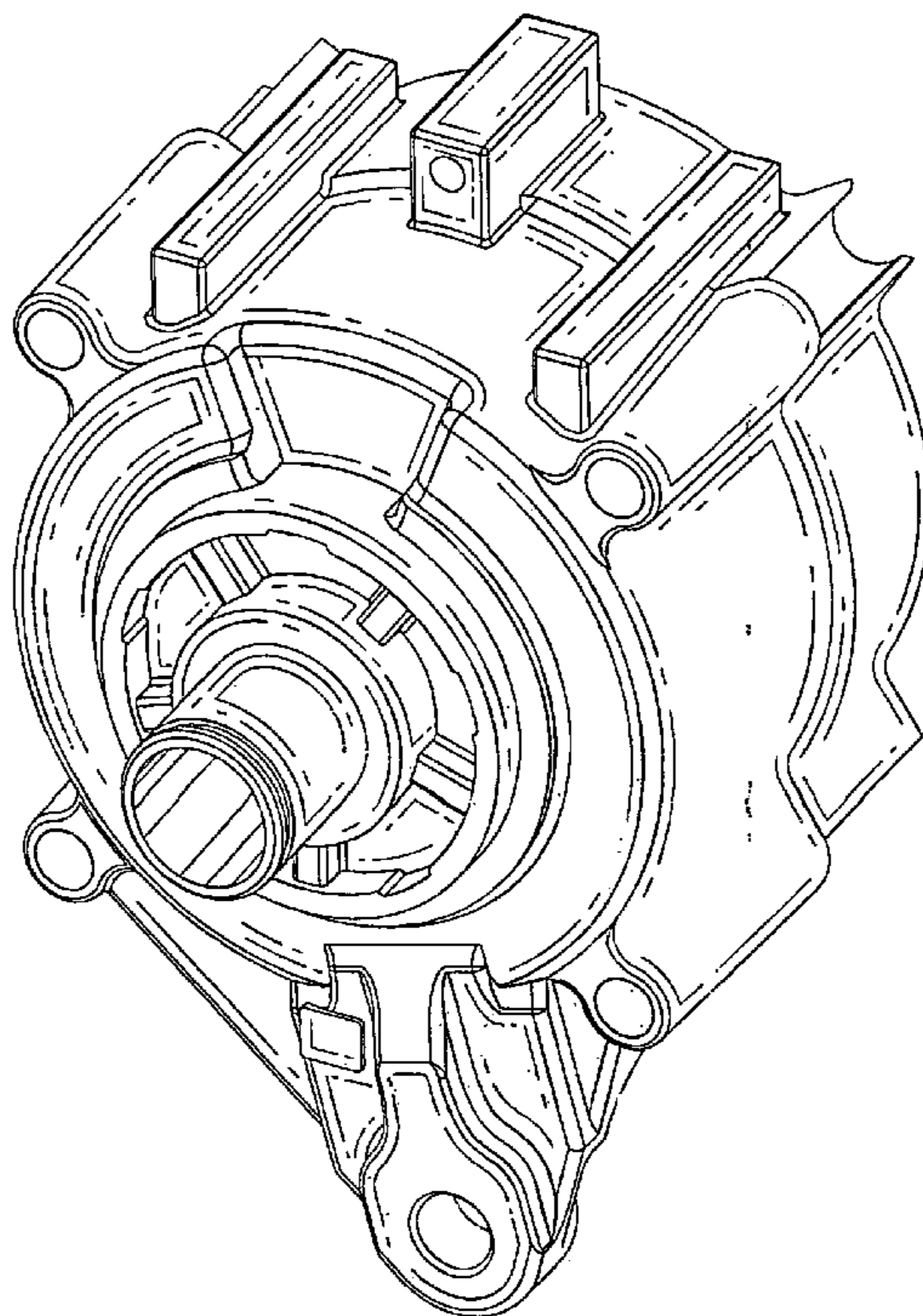
FIG. 1 is a front perspective view of an air compressor cylinder housing and cap showing my new design, the element depicted by means of broken lines being for illustrative purposes only and forming no part of the claimed design;
FIG. 2 is a front elevational view thereof, the element depicted by means of broken lines being for illustrative purposes only and forming no part of the claimed design;
FIG. 3 is a rear elevational view thereof;
FIG. 4 is a top plan view thereof;
FIG. 5 is a bottom plan view thereof;
FIG. 6 is a left side elevational view thereof;
FIG. 7 is a right side elevational view thereof;
FIG. 8 is a rear perspective view thereof;
FIG. 9 is a front perspective view thereof, the ribs and the bulges depicted by means of broken lines being for illustrative purposes only and forming no part of the claimed design; and,
FIG. 10 is a front elevational view thereof, the ribs and the bulges depicted by means of broken lines being for illustrative purposes only and forming no part of the claimed design.

(56) **References Cited**

U.S. PATENT DOCUMENTS

D381,993 S * 8/1997 Takenaka et al. D15/9
D429,738 S * 8/2000 Kayukawa et al. D15/9
D435,856 S * 1/2001 Kato D15/9
D441,377 S * 5/2001 Kawaguchi et al. D15/9
D441,378 S * 5/2001 Kou D15/9
D452,254 S * 12/2001 Kawaguchi et al. D15/9
D460,460 S * 7/2002 Kayukawa et al. D15/9
D462,364 S * 9/2002 Fujita et al. D15/9
D466,526 S * 12/2002 Fujii et al. D15/9
D537,452 S * 2/2007 Chu D15/9

1 Claim, 5 Drawing Sheets



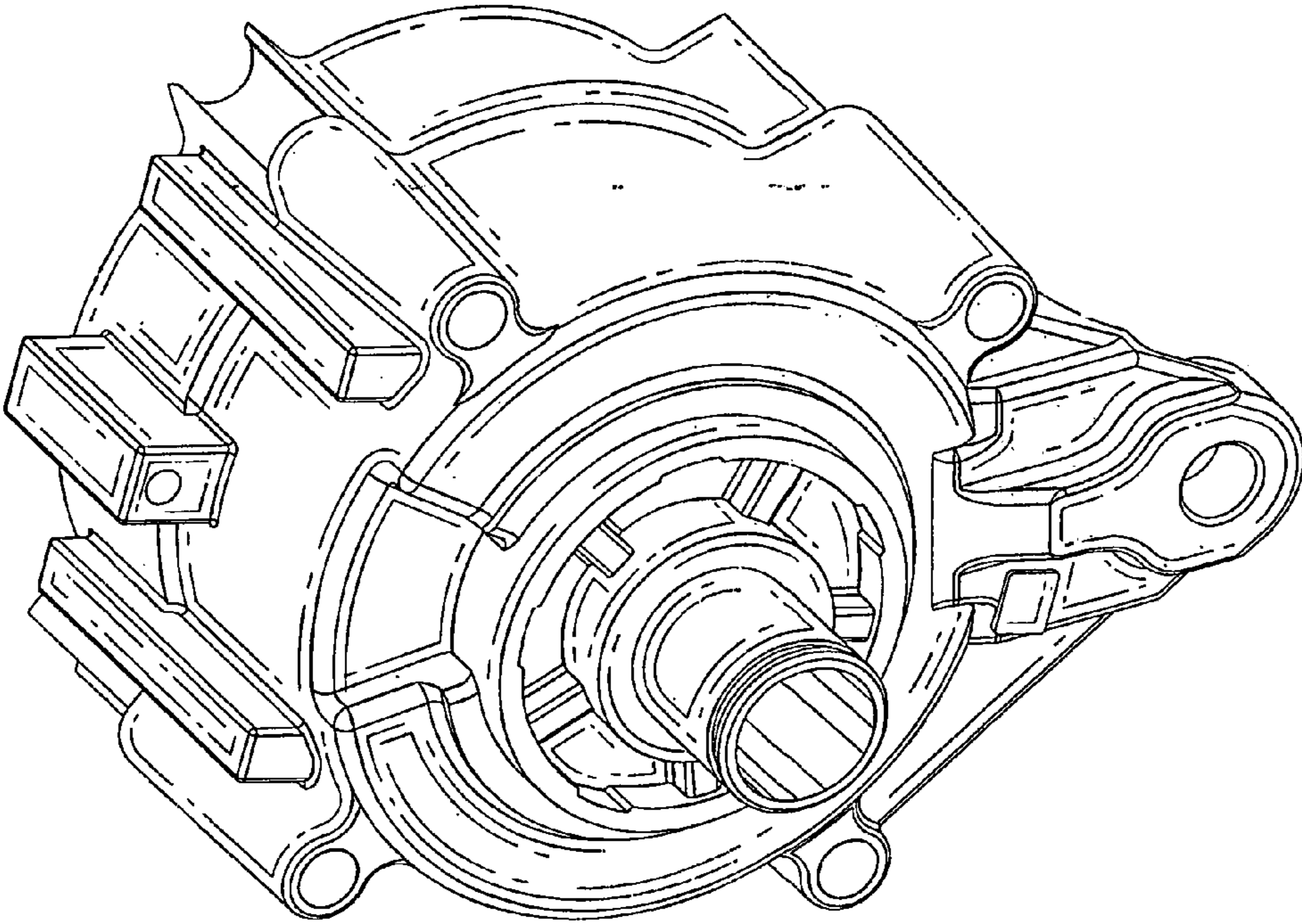


FIG. 8

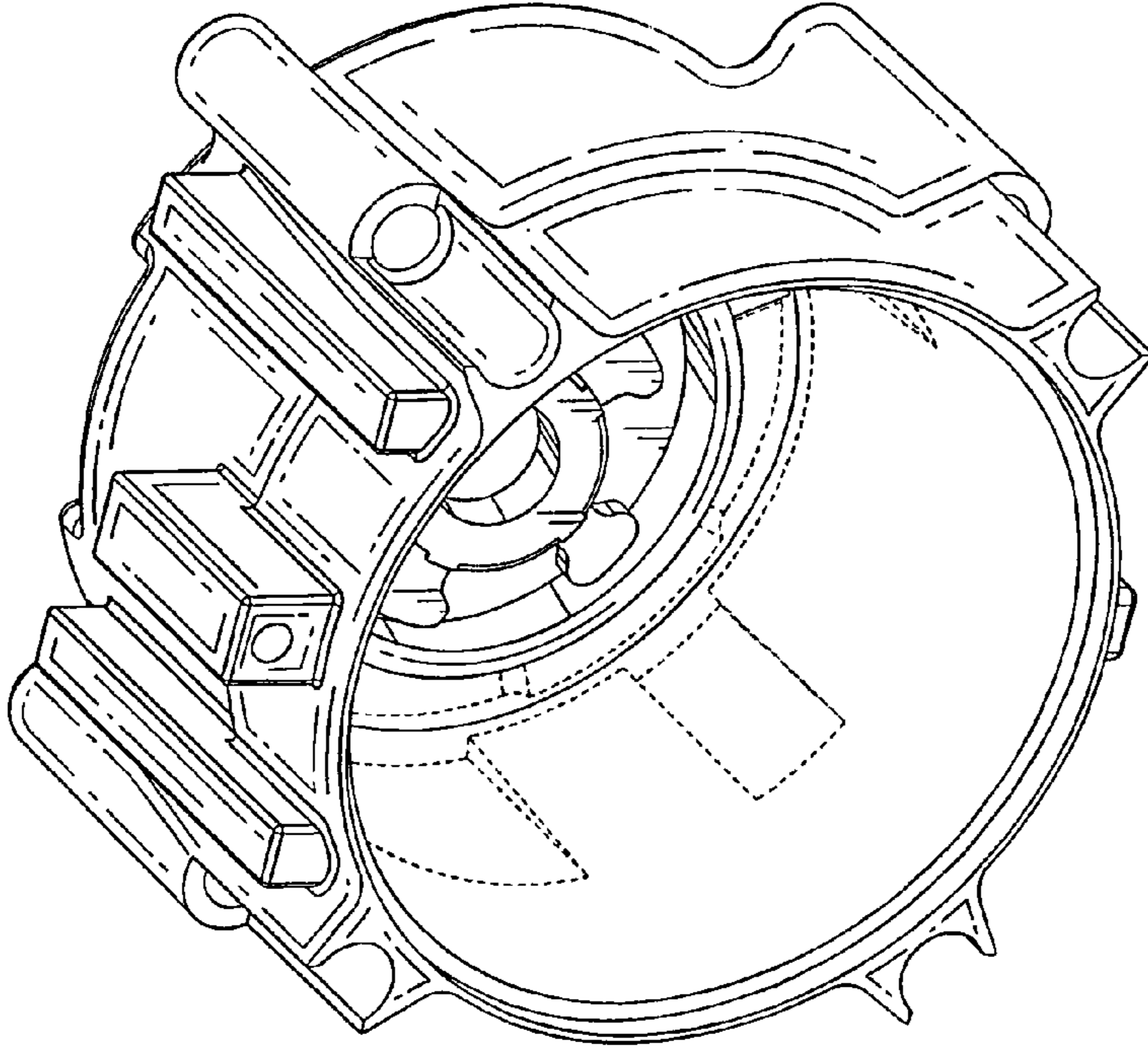


FIG. 1

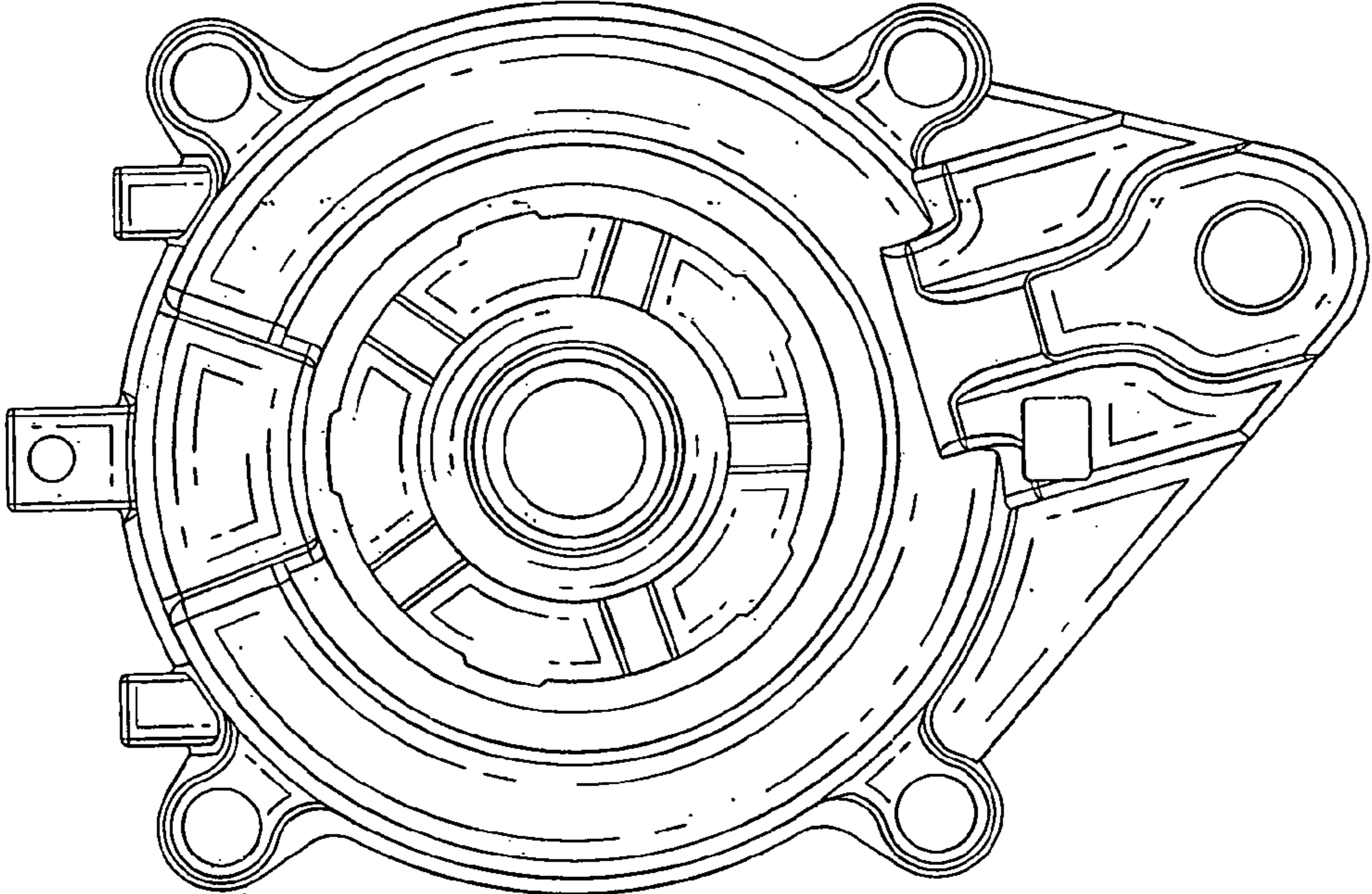


FIG. 3

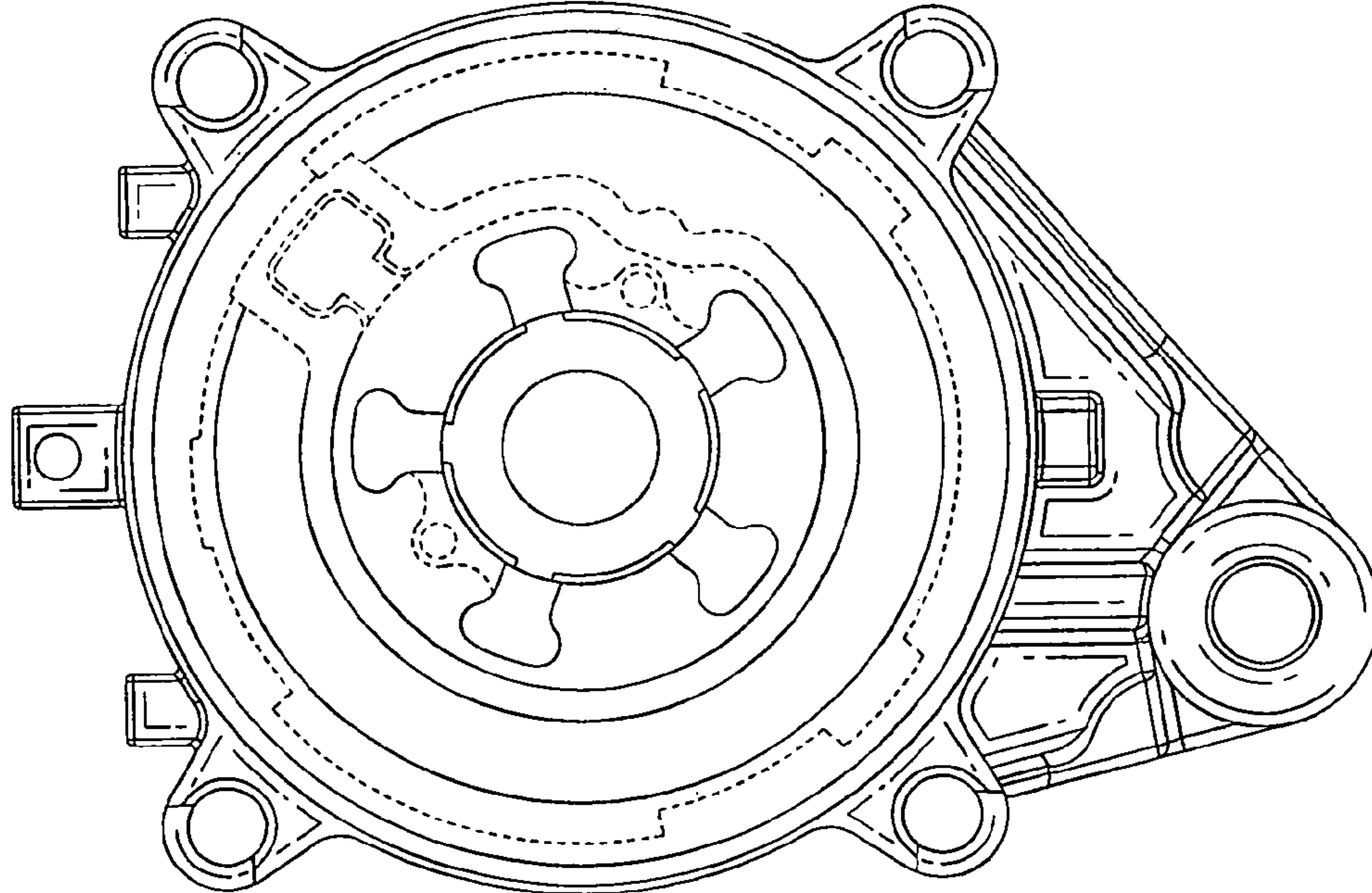


FIG. 2

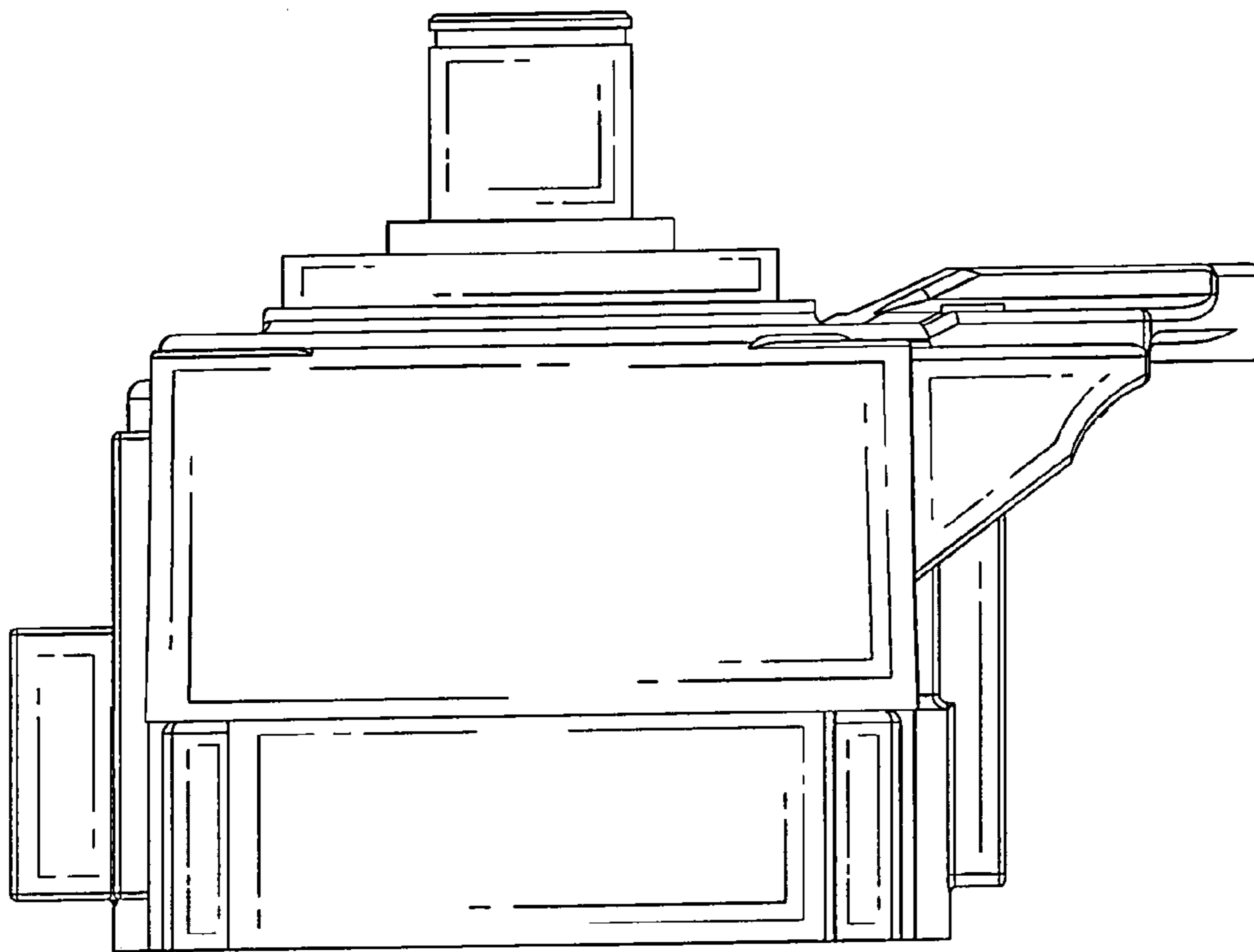


FIG. 5

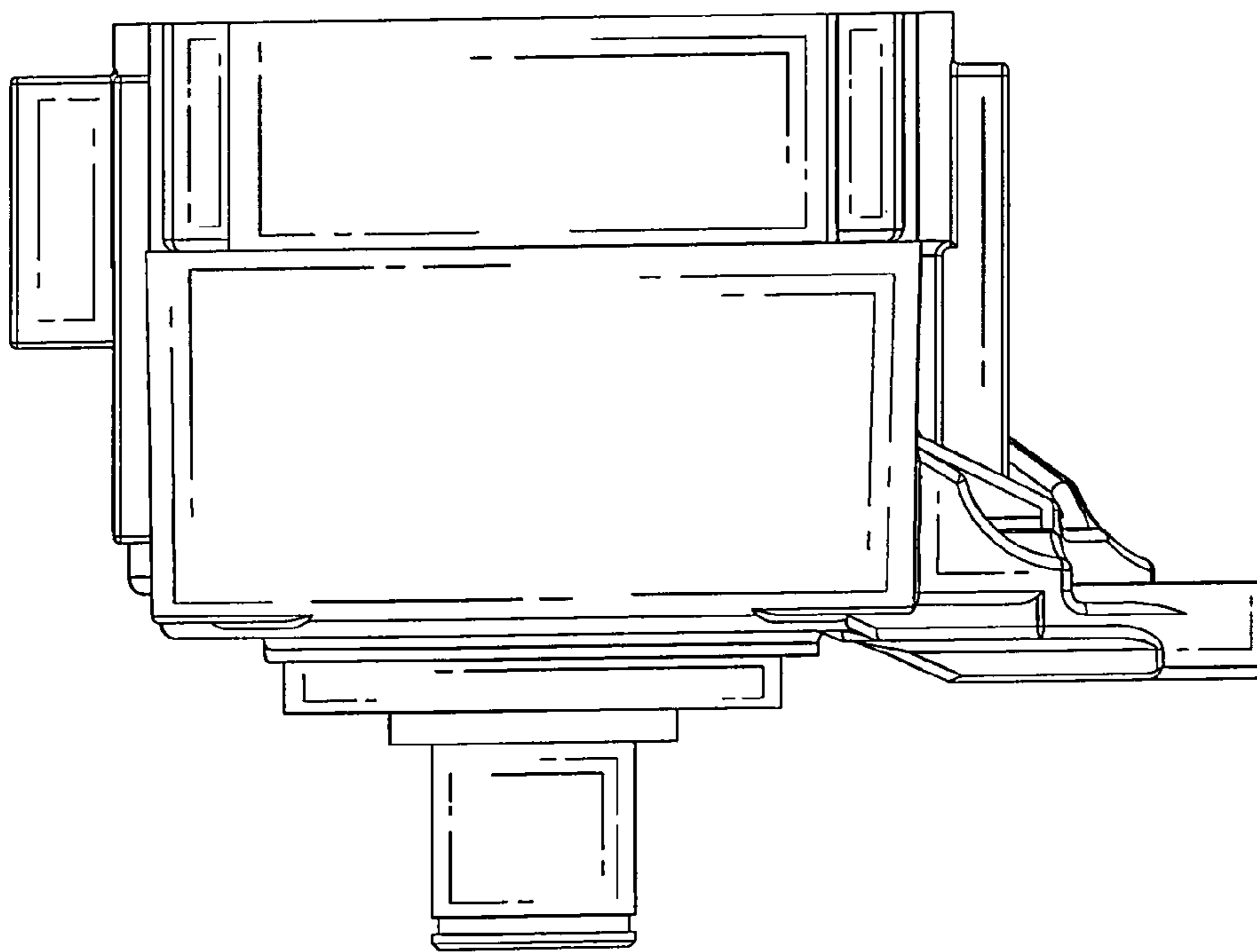


FIG. 4

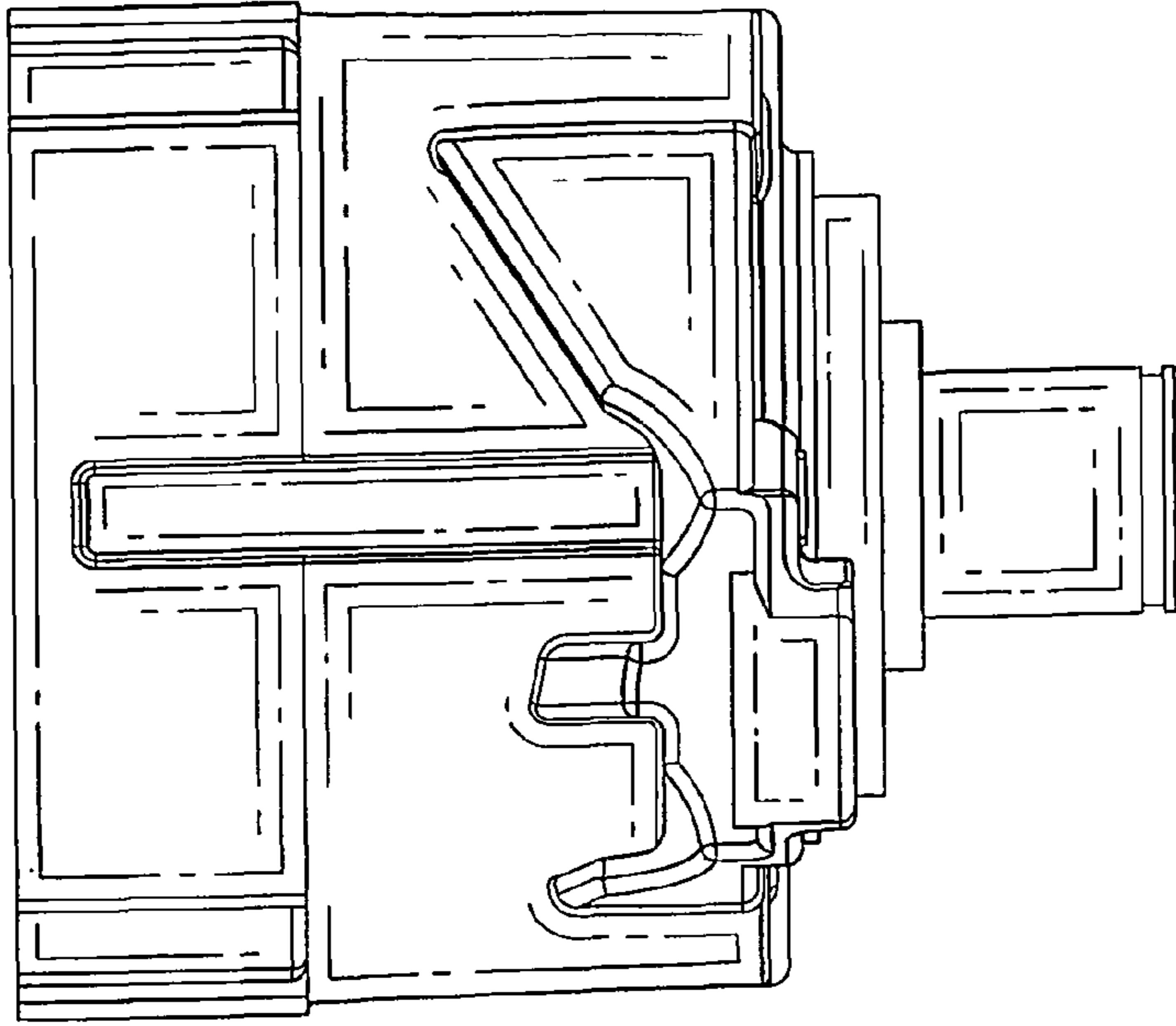


FIG. 7

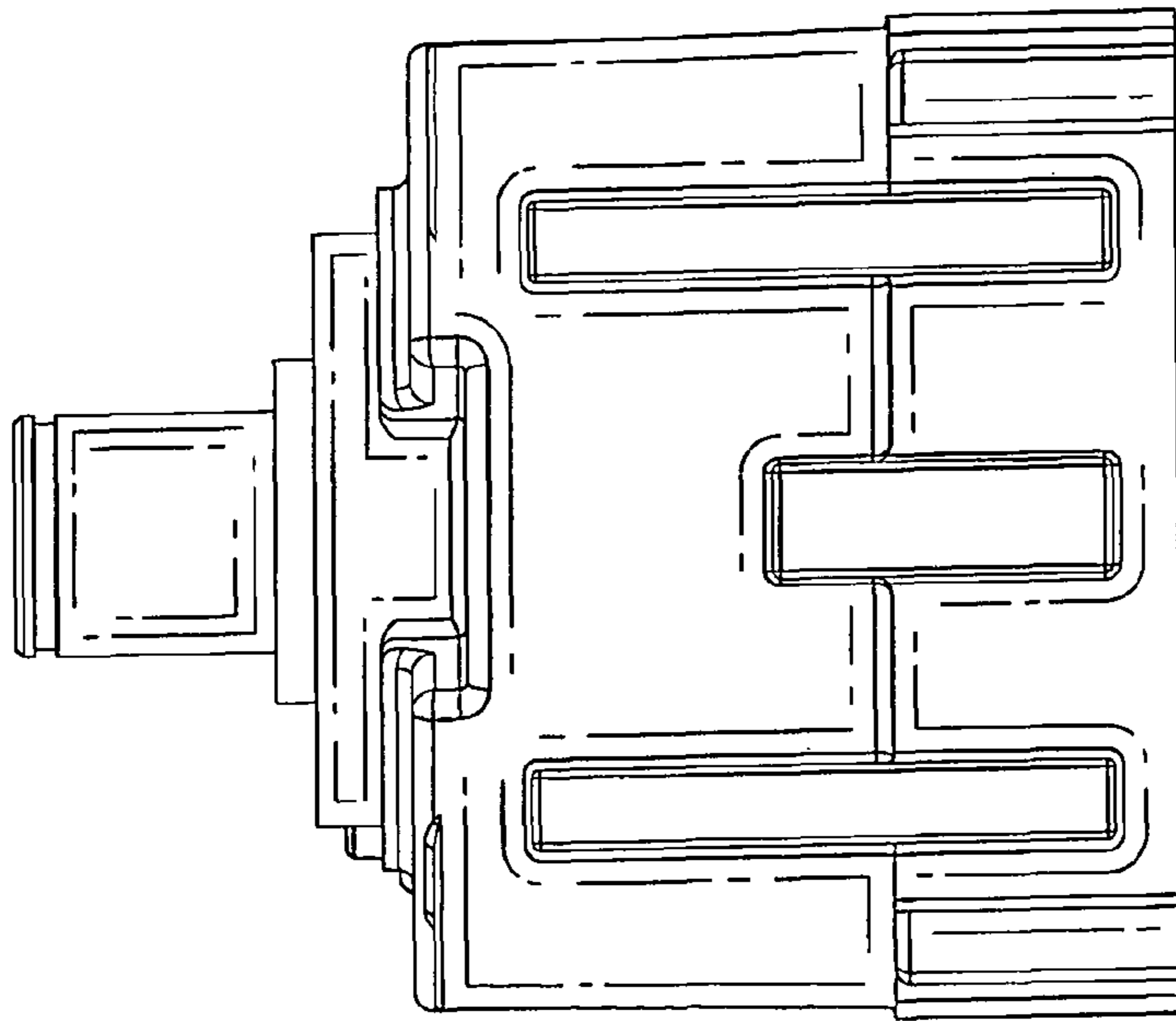


FIG. 6

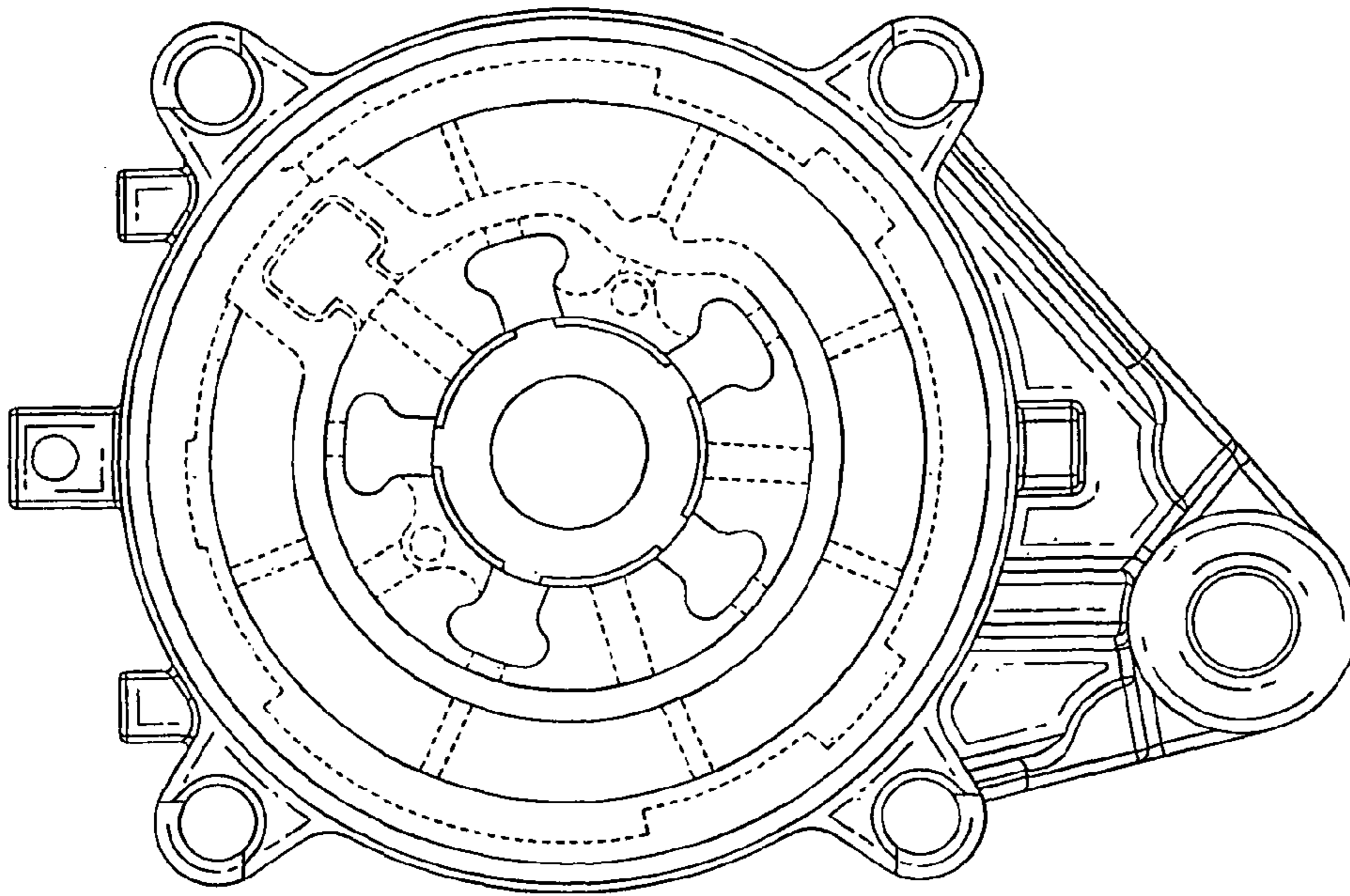


FIG. 10

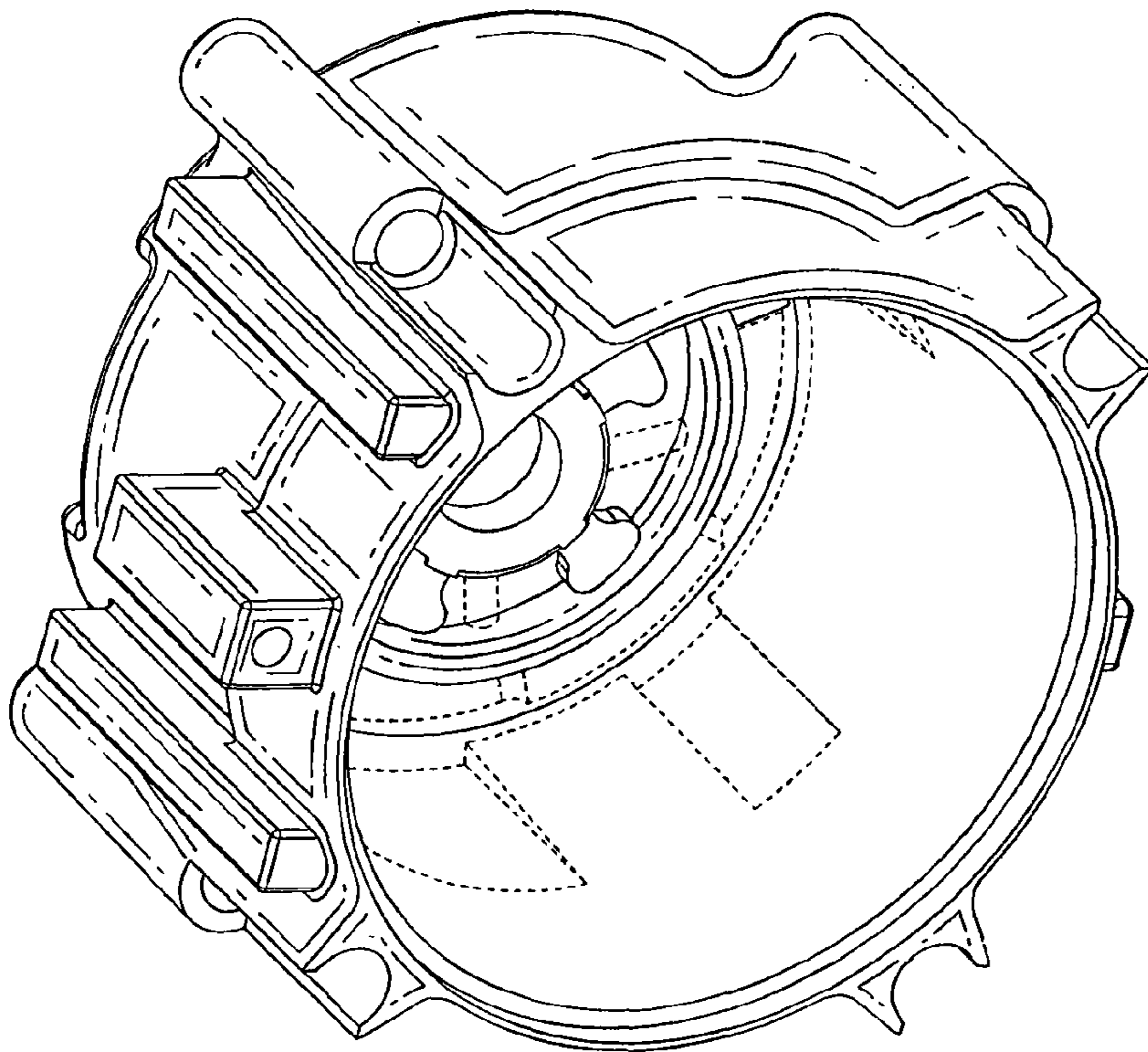


FIG. 9