



US00D694268S

(12) **United States Design Patent**
Ohm et al.

(10) **Patent No.:** **US D694,268 S**
(45) **Date of Patent:** **** Nov. 26, 2013**

- (54) **HANDHELD TIRE INFLATOR**
- (71) Applicant: **Bell Automotive Products, Inc.**,
Scottsdale, AZ (US)
- (72) Inventors: **Patrick Lee Ohm**, Mesa, AZ (US); **Silas Veloz**, Loma Linda, CA (US); **Dave Windham**, Altadena, CA (US)
- (73) Assignee: **Bell Automotive Products, Inc.**,
Scottsdale, AZ (US)
- (**) Term: **14 Years**
- (21) Appl. No.: **29/451,402**
- (22) Filed: **Apr. 1, 2013**
- (51) **LOC (9) Cl.** **15-02**
- (52) **U.S. Cl.**
USPC **D15/7**
- (58) **Field of Classification Search**
USPC D15/7-9; 417/60, 235, 265, 321, 355,
417/358, 363, 359, 410.1, 415-416, 405,
417/900; D23/231, 232, 225
See application file for complete search history.

D415,500 S *	10/1999	Poon	D15/7
D451,521 S *	12/2001	Poon	D15/7
D464,976 S *	10/2002	Krieger et al.	D15/9
D467,941 S *	12/2002	Duncan	D15/7
D467,942 S *	12/2002	Duncan	D15/7
D470,863 S *	2/2003	Williams	D15/7
D487,899 S *	3/2004	Poon	D15/7
D510,939 S *	10/2005	Nikolayev et al.	D15/9
D558,795 S *	1/2008	Saunders et al.	D15/7
D559,866 S *	1/2008	Saunders et al.	D15/7

* cited by examiner

Primary Examiner — Ralf Seifert

(74) *Attorney, Agent, or Firm* — Booth Udall Fuller, PLC

(57) **CLAIM**

The ornamental design for a handheld tire inflator, as shown and described in the preceding Figures.

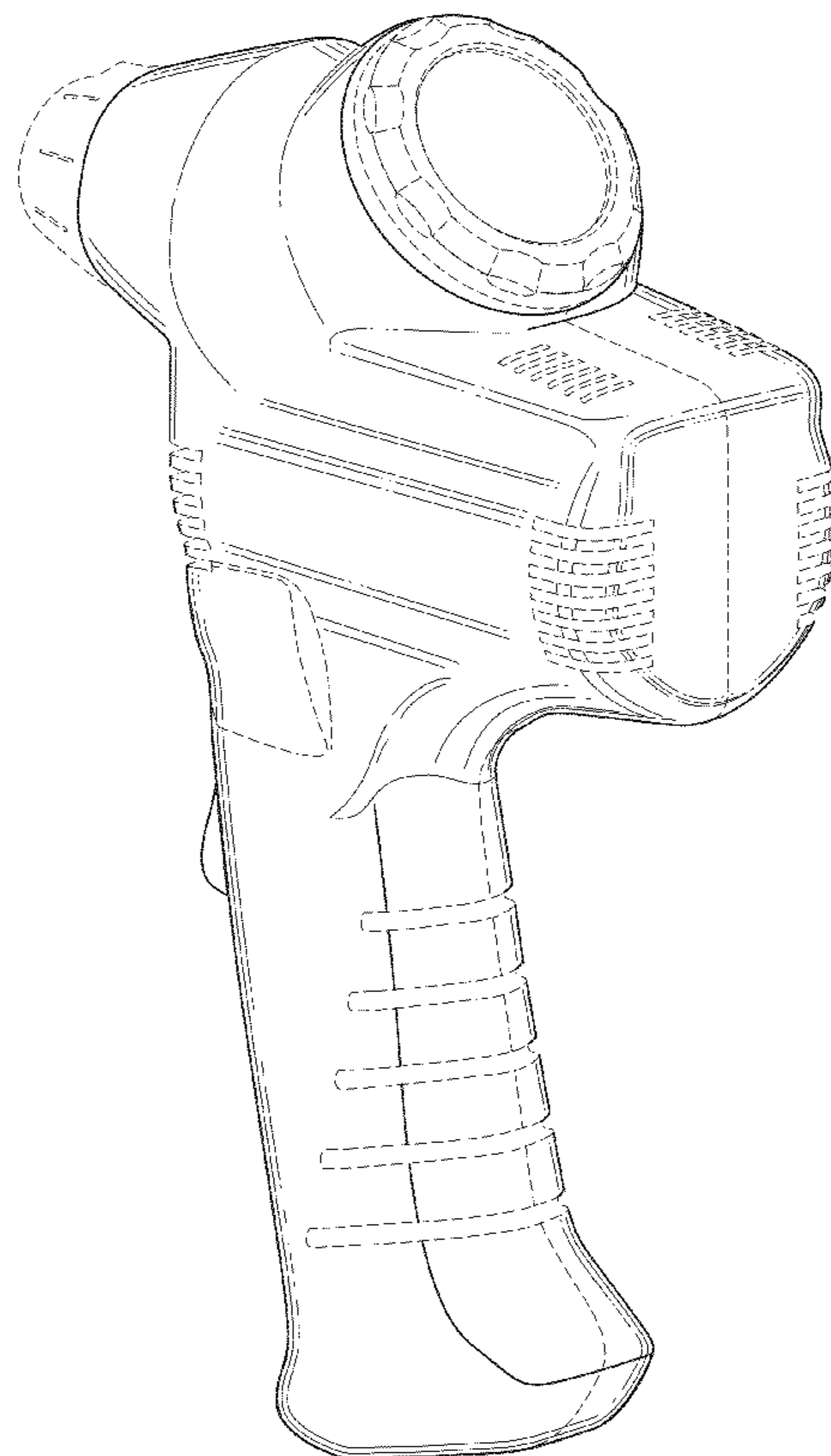
DESCRIPTION

FIG. 1 is a front perspective view for a handheld tire inflator; FIG. 2 is a front view thereof; FIG. 3 is a right side view thereof; FIG. 4 is a rear view thereof; FIG. 5 is a left side view thereof; FIG. 6 is top view thereof; and, FIG. 7 is a bottom view thereof.

The broken lines are included for the purpose of illustrating environmental features and form no part of the claimed design.

1 Claim, 7 Drawing Sheets

- (56) **References Cited**
U.S. PATENT DOCUMENTS
D400,892 S * 11/1998 Williams D15/9
D405,097 S * 2/1999 Wong D15/7



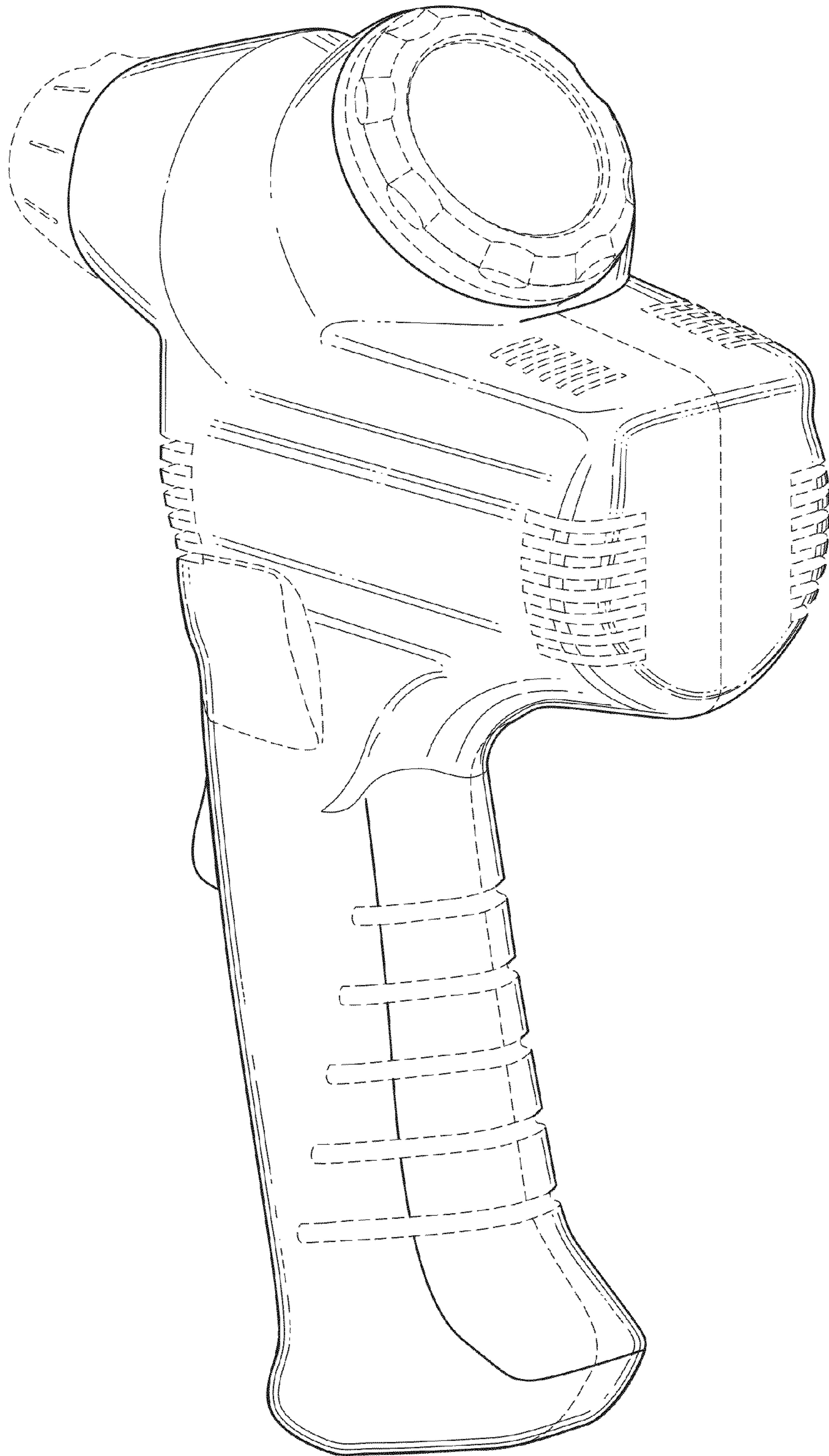


FIG. 1

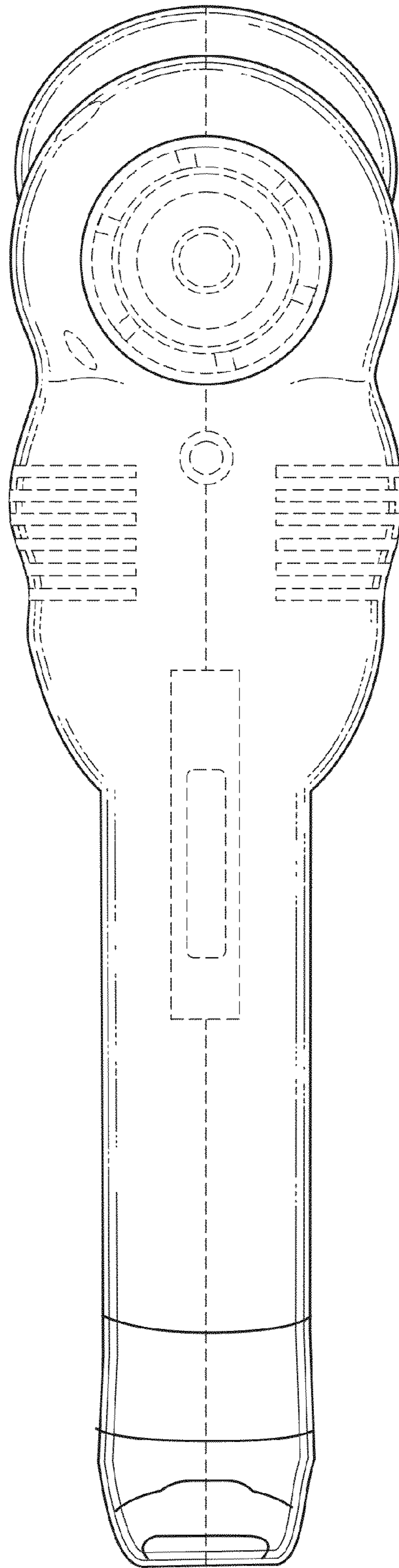


FIG. 2

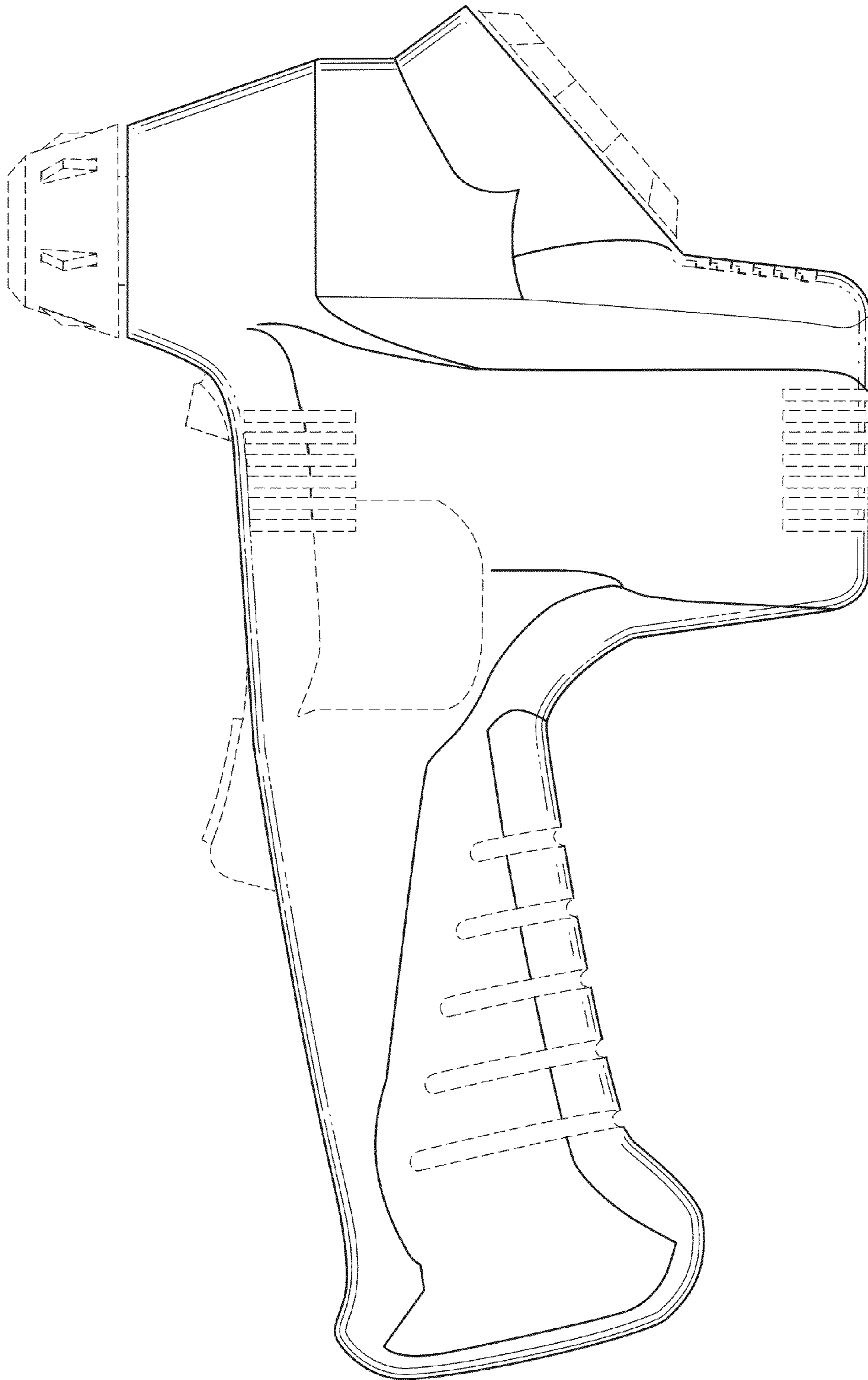


FIG. 3

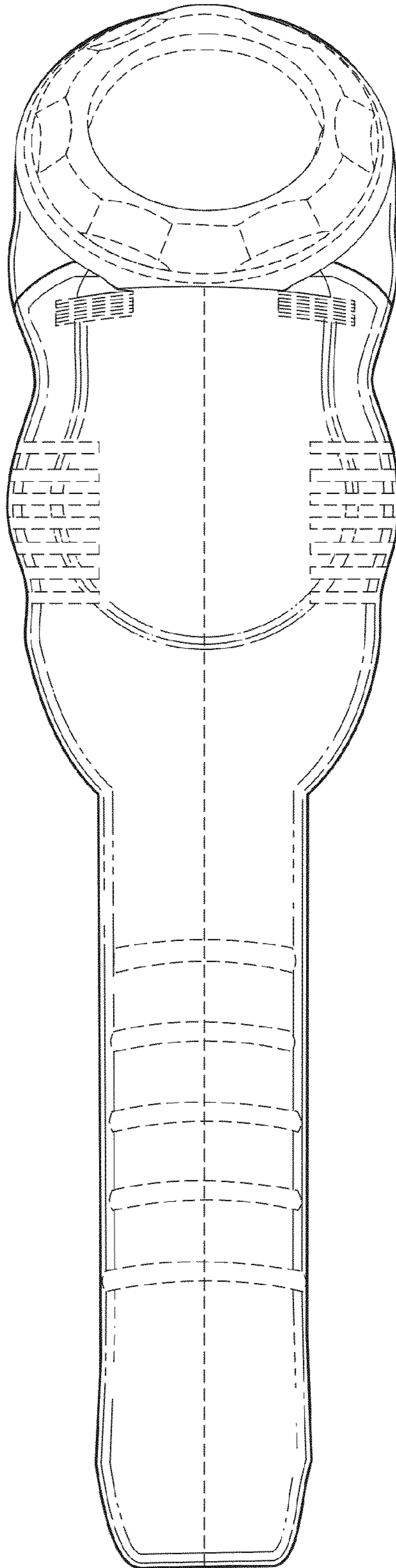


FIG. 4

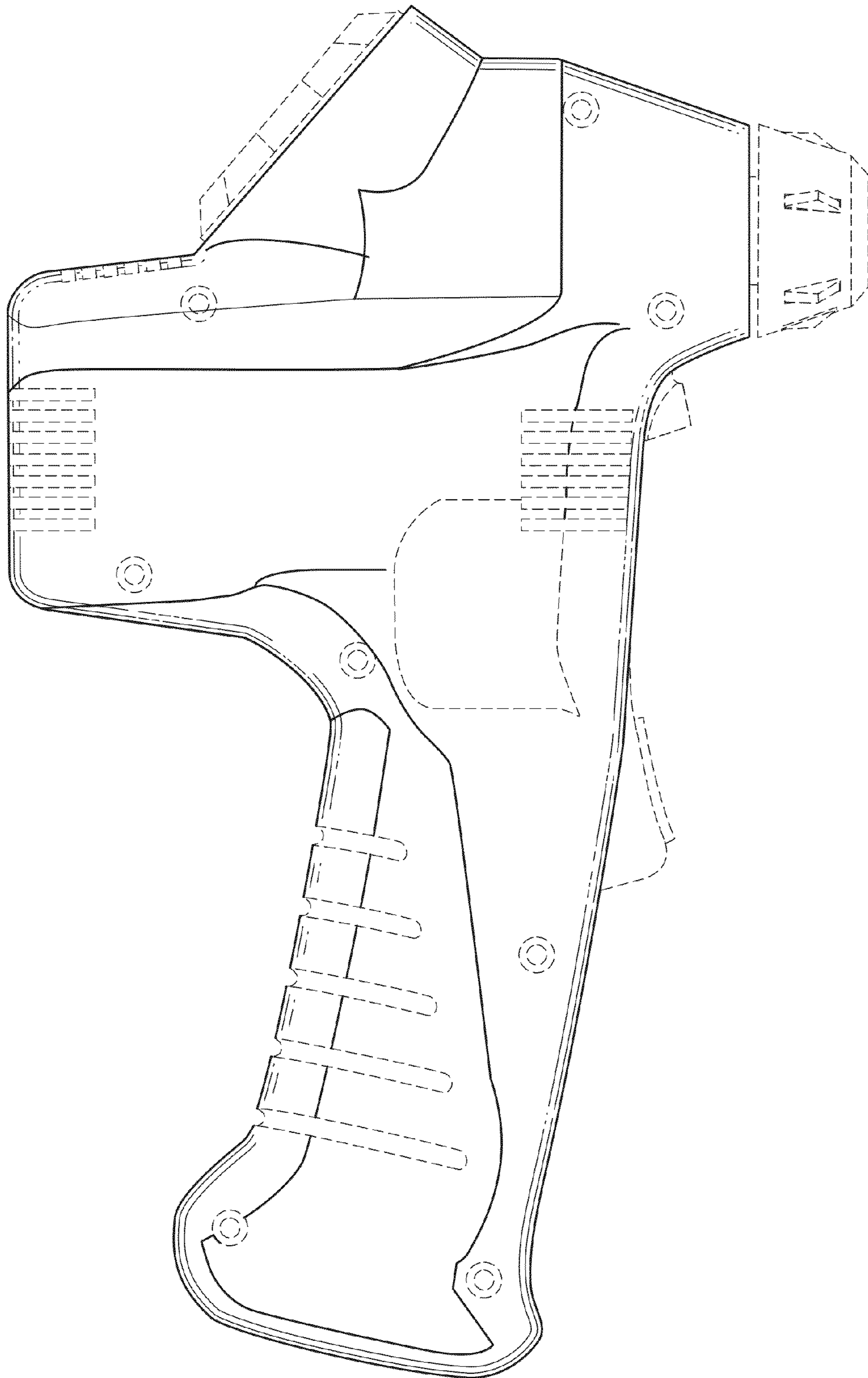


FIG. 5

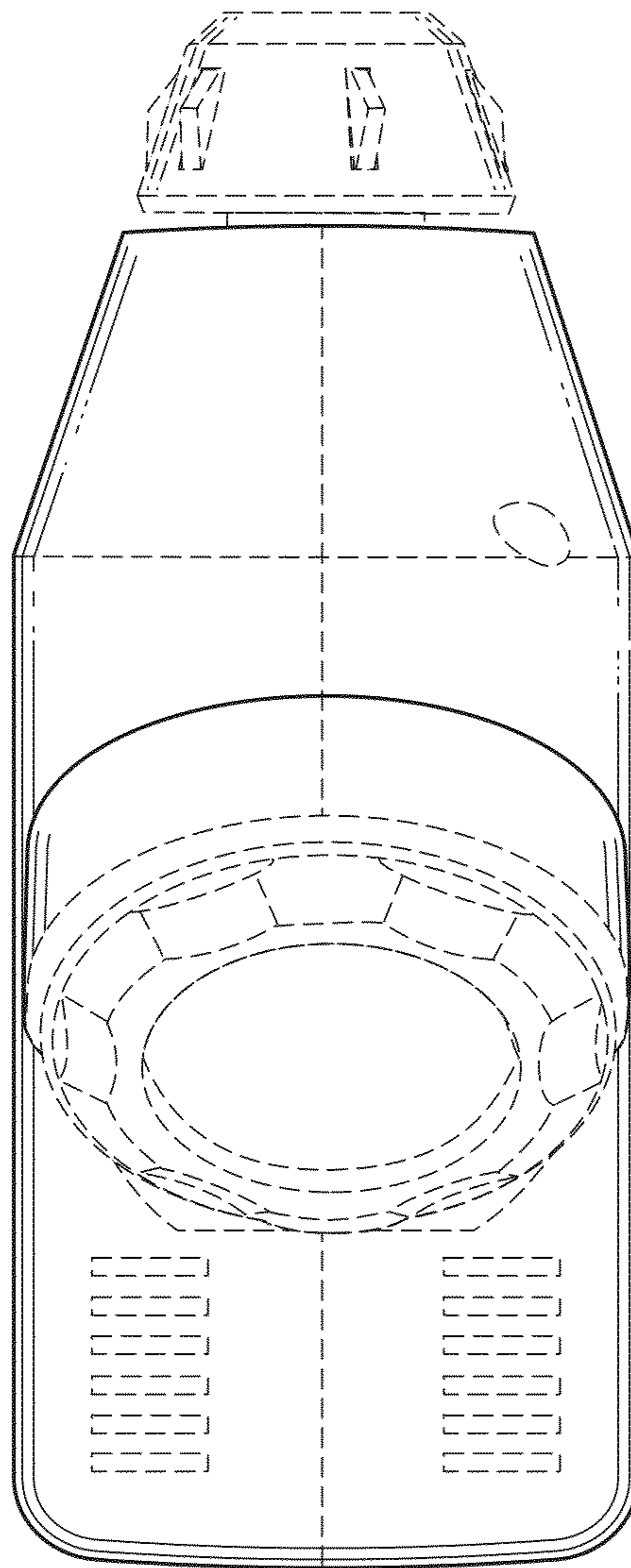


FIG. 6

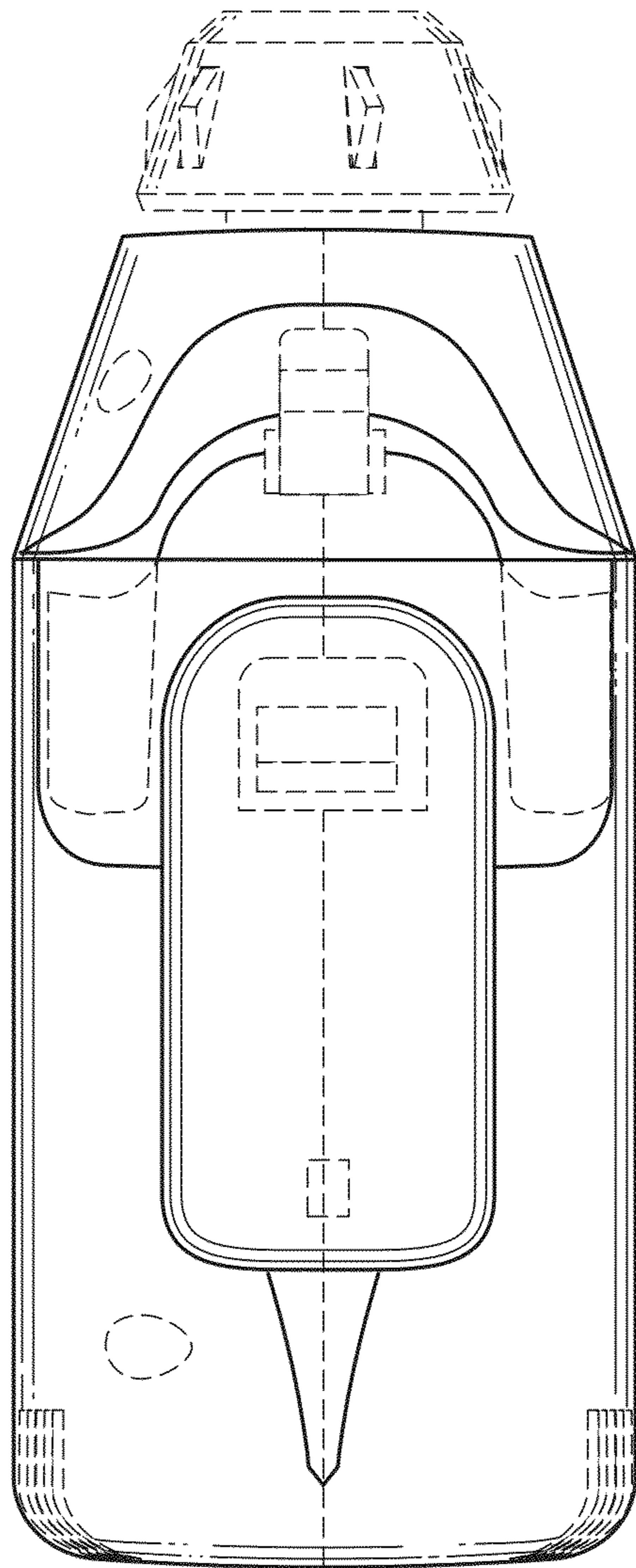


FIG. 7